

United States Patent [19]

Willis et al.

[11] Patent Number: **Des. 280,914**

[45] Date of Patent: **** Oct. 8, 1985**

[54] **GAME TARGET**

[76] Inventors: **Bobby L. Willis; Noemi R. Willis,**
both of Rte. 8, Box 640-H,
Claremore, Okla. 74017

[**] Term: **14 Years**

[21] Appl. No.: **463,821**

[22] Filed: **Feb. 4, 1983**

[52] U.S. Cl. **D21/5**

[58] Field of Search **D21/5; 273/398-402**

[56] **References Cited**

U.S. PATENT DOCUMENTS

- D. 224,242 7/1972 Waddle et al. D21/5
- D. 231,744 6/1974 Bailey D21/5
- D. 245,931 9/1977 Alter et al. D21/5

D. 246,059 10/1977 Malish D21/5

Primary Examiner—Melvin B. Feifer
Attorney, Agent, or Firm—Robert E. Massa

[57] **CLAIM**

The ornamental design for a game target, as shown.

DESCRIPTION

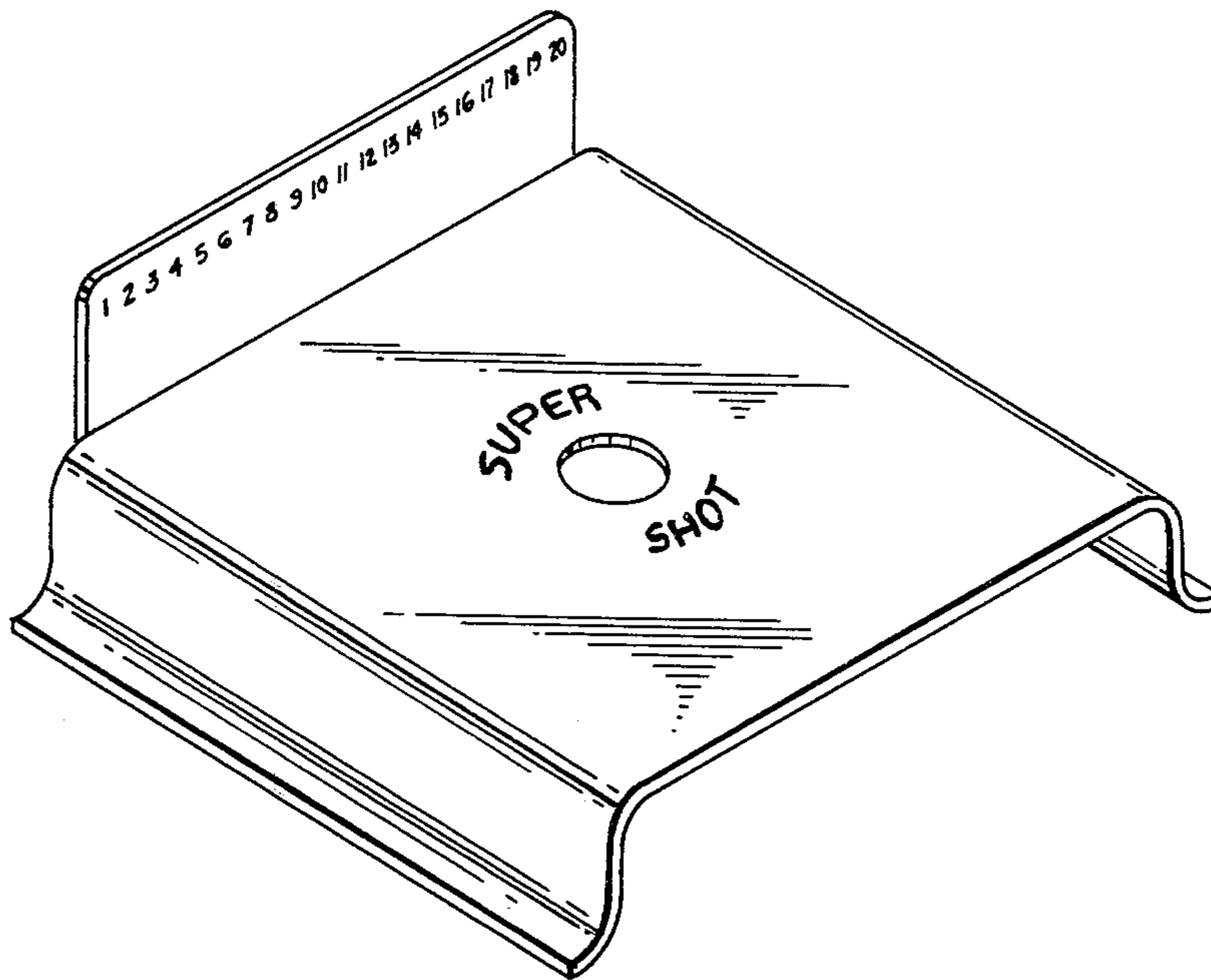
FIG. 1 is a perspective view of a game target showing our new design;

FIG. 2 is a front elevational view of the game of FIG. 1 showing our new design;

FIG. 3 is a rear elevational view of the game of FIG. 1 showing our new design;

FIG. 4 is a side elevational view along the lines 4—4 of FIG. 2;

FIG. 5 is a side elevational view along the lines 5—5 of FIG. 2.



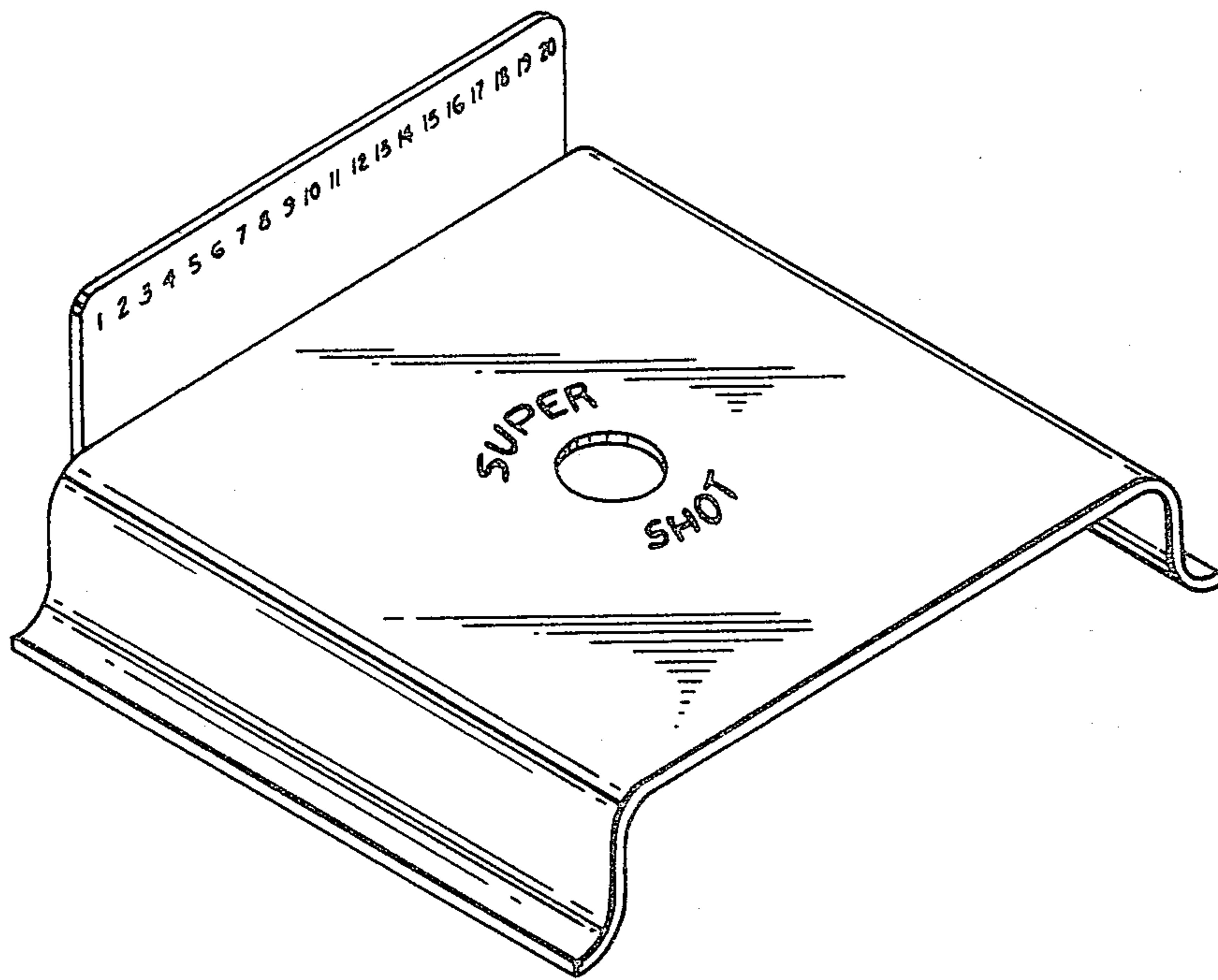


Fig. 1.

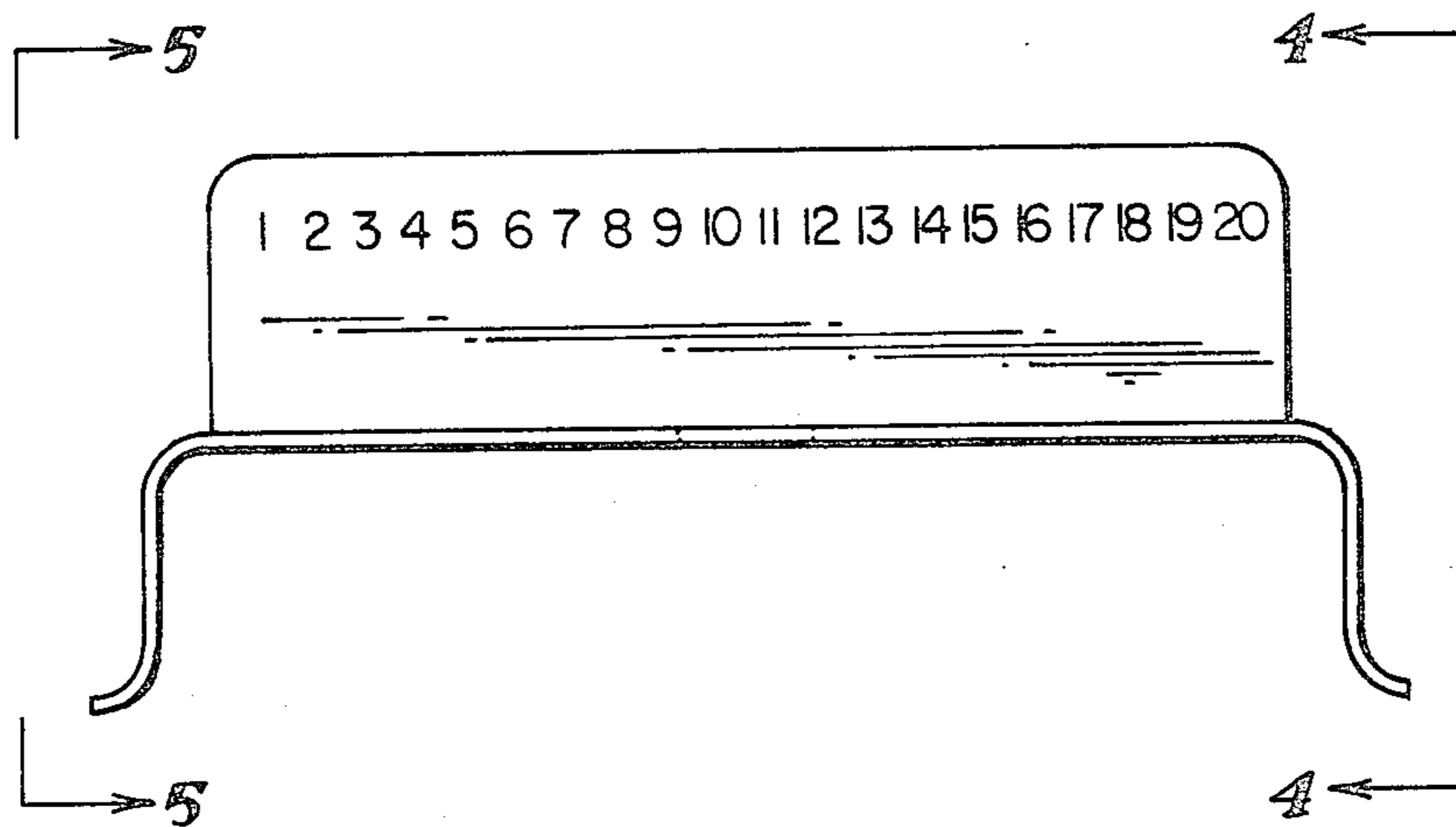


Fig. 2.

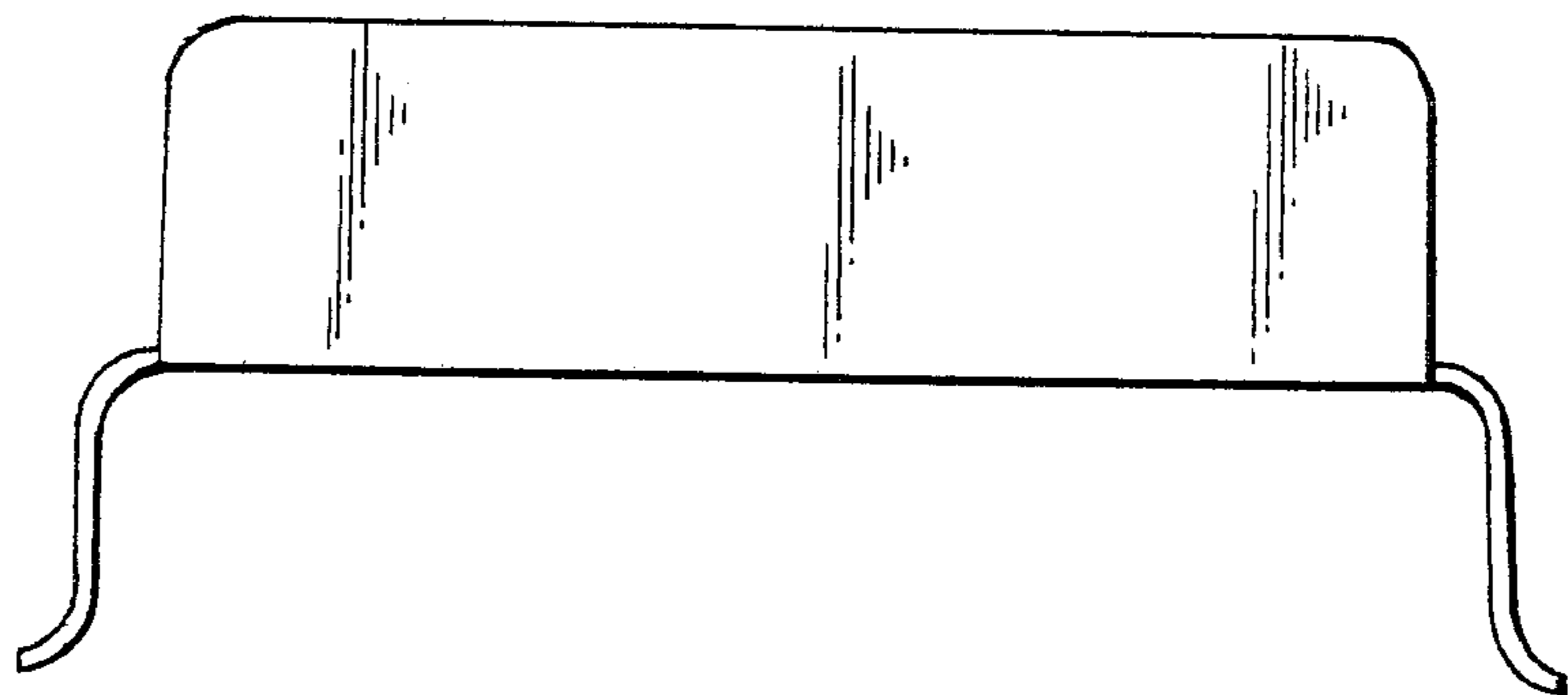


Fig. 3

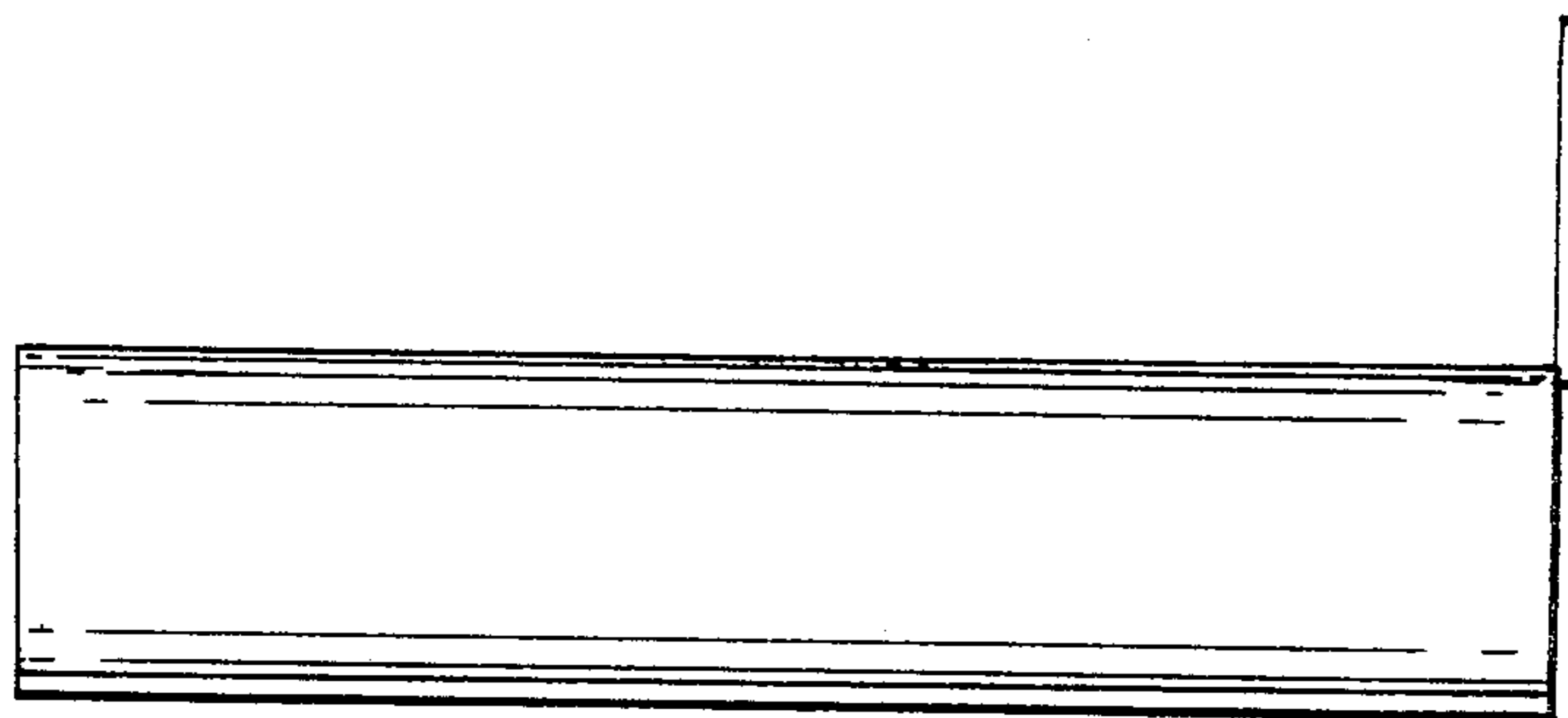


Fig. 4

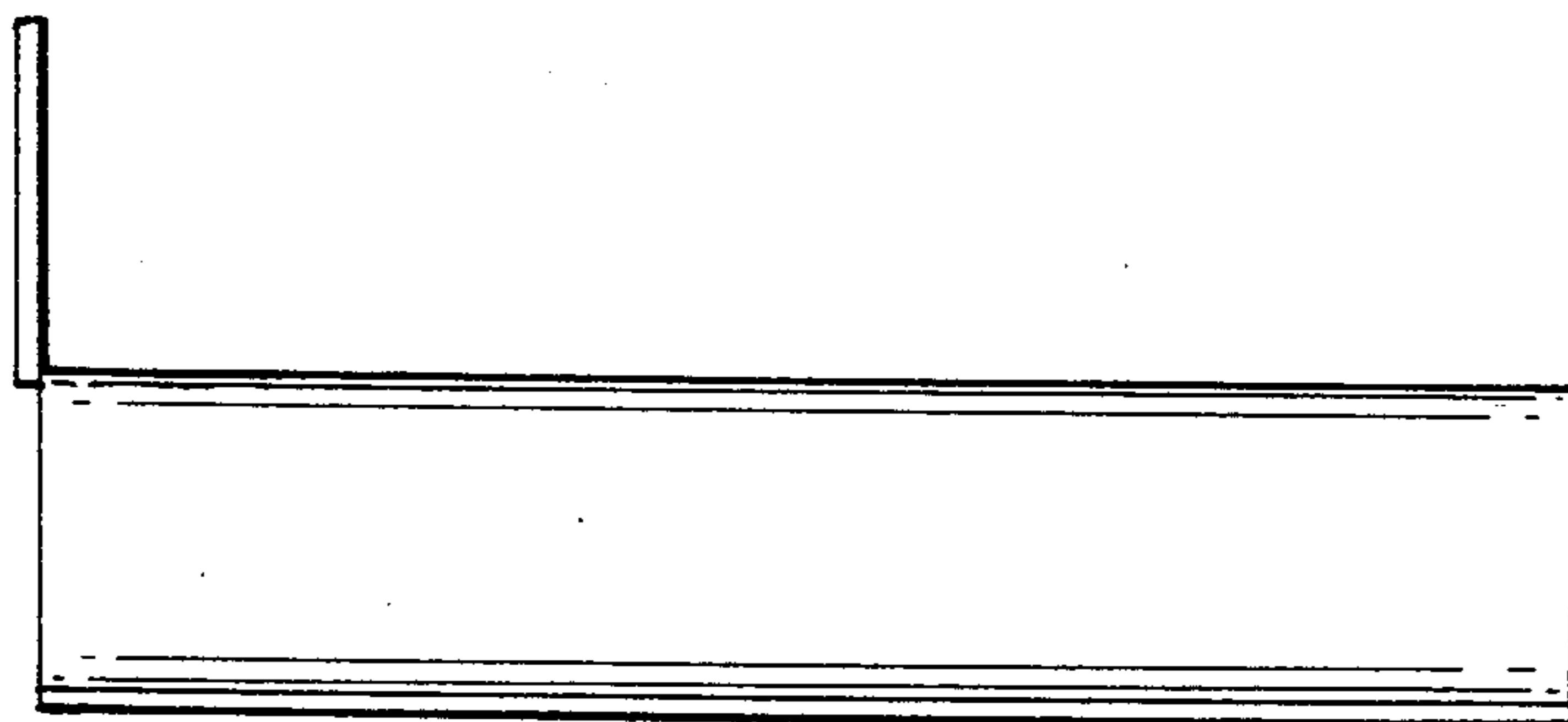


Fig. 5