

[54] RIBBON CASSETTE FOR PRINTER

4,415,285 11/1983 Bury ..... 400/208 X

[76] Inventor: Chihiro Kosaka, 291 Shimotogari  
Nagaizumi-cho, Sunto-gun  
Shizuoka-ken, Japan

Primary Examiner—Louis S. Zarfes  
Attorney, Agent, or Firm—W. Edward Johansen

[\*\*] Term: 14 Years

[57] CLAIM

[21] Appl. No.: 500,983

The ornamental design for a ribbon cassette for printer,  
as shown and described.

[22] Filed: Jun. 3, 1983

DESCRIPTION

[52] U.S. Cl. .... D18/22

[58] Field of Search ..... D18/12, 13, 22, 99;  
D14/114; 400/196, 196.1, 207, 208, 208.1;  
242/55.19 A, 197, 199, 20 C

FIG. 1 is a perspective view of a ribbon cassette for printer showing my new design; the broken line ribbon being illustrative of environment only;  
FIG. 2 is a front elevational view thereof;  
FIG. 3 is an inverted rear elevational view thereof;  
FIG. 4 is a top plan view thereof;  
FIG. 5 is a bottom plan view thereof;  
FIG. 6 is a right side elevational view of the ribbon cassette for printer of FIG. 1;  
FIG. 7 is a left side elevational view of the ribbon cassette for printer of FIG. 1.

[56] References Cited

U.S. PATENT DOCUMENTS

- D. 264,601 5/1982 Flaceliere ..... D18/12
- D. 274,178 6/1984 Schiffmacher ..... D18/22
- D. 275,499 9/1984 Akazawa ..... D18/12
- 4,388,006 6/1983 Waibel ..... 400/196 X

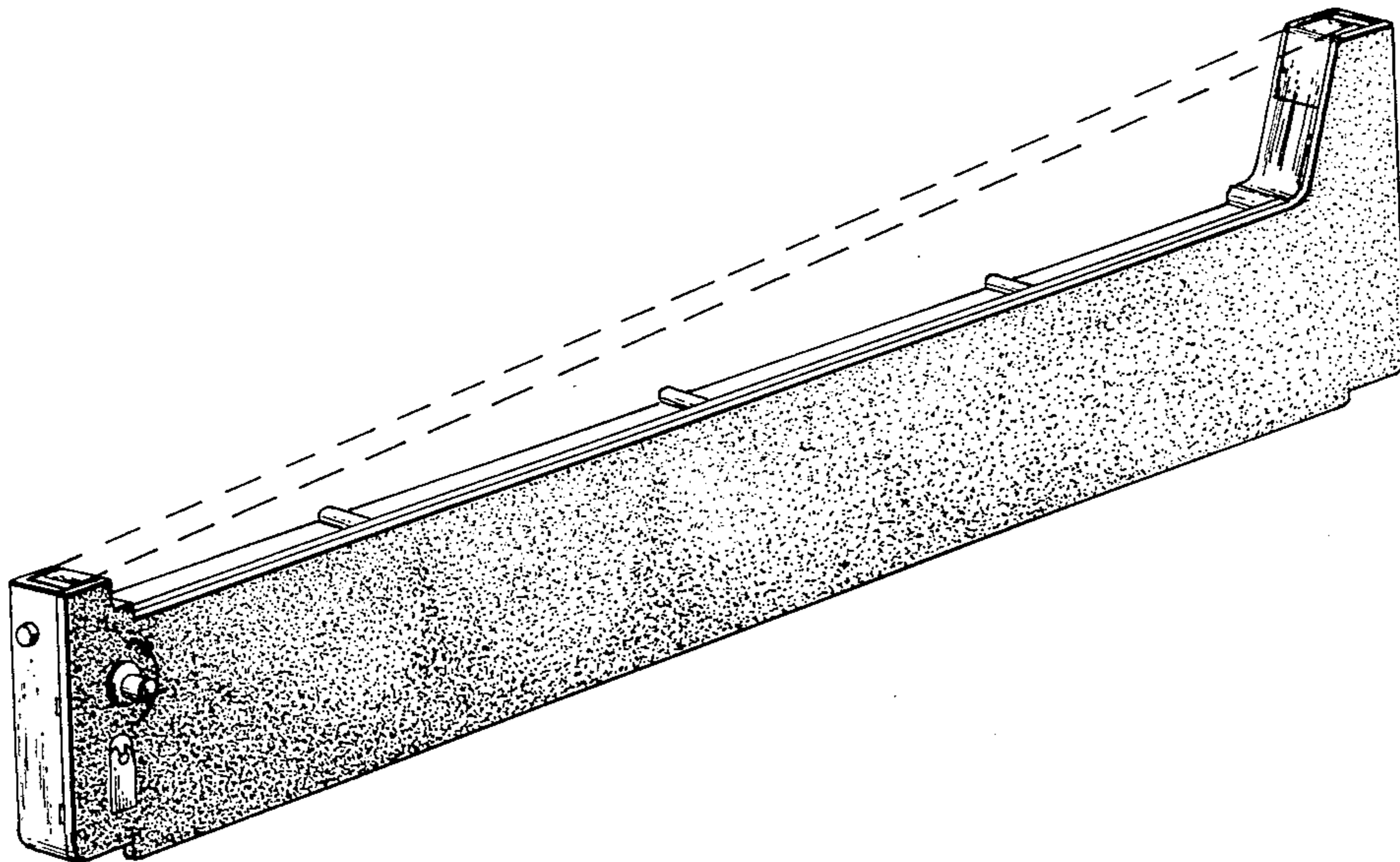


Fig. 1.

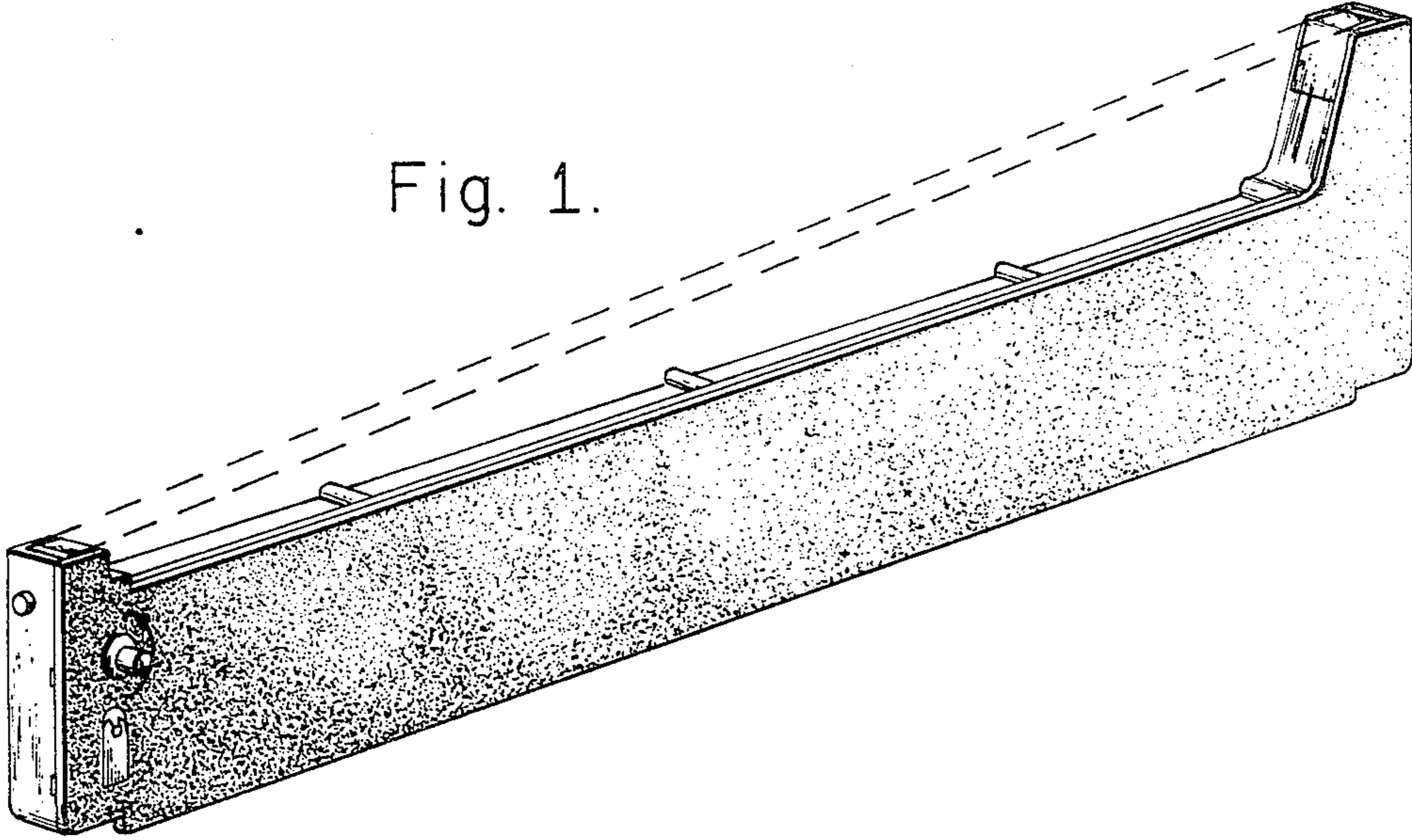


Fig. 2.

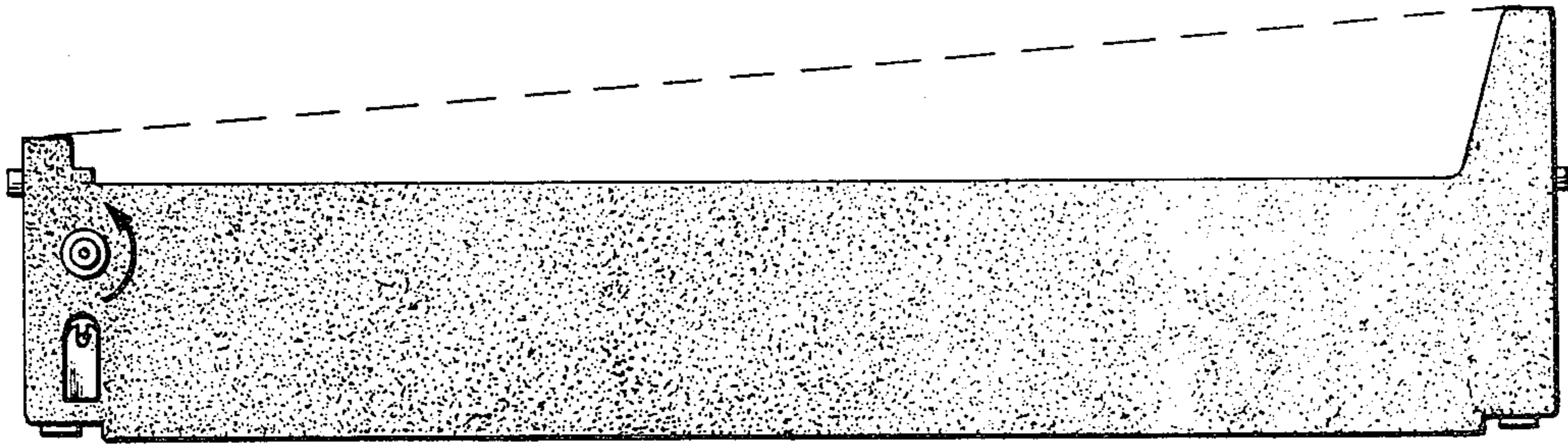


Fig. 3.

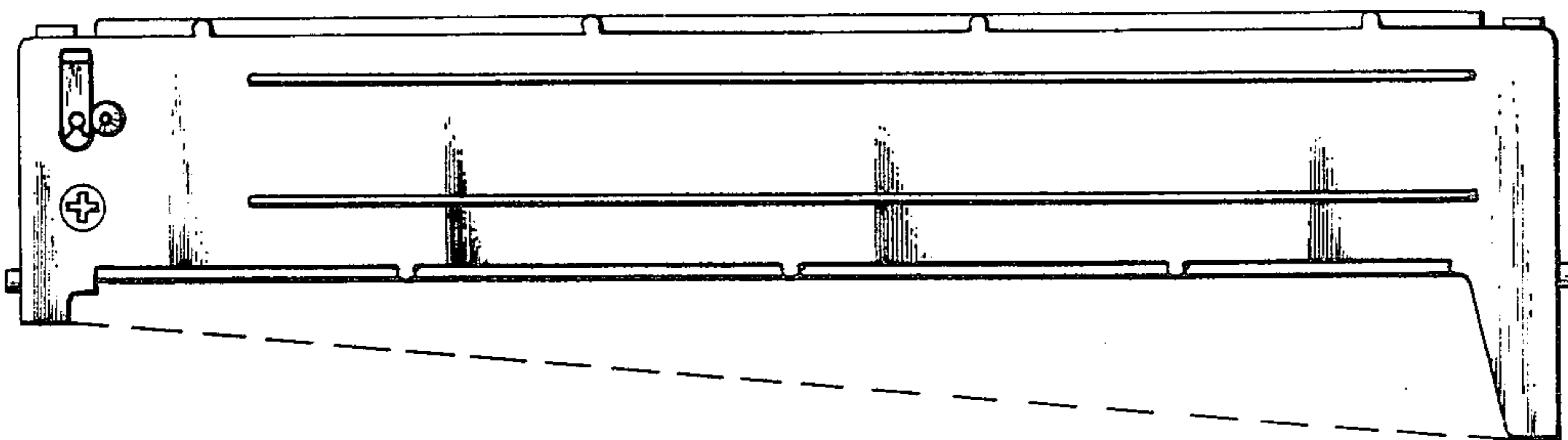


Fig. 4.



Fig. 5.

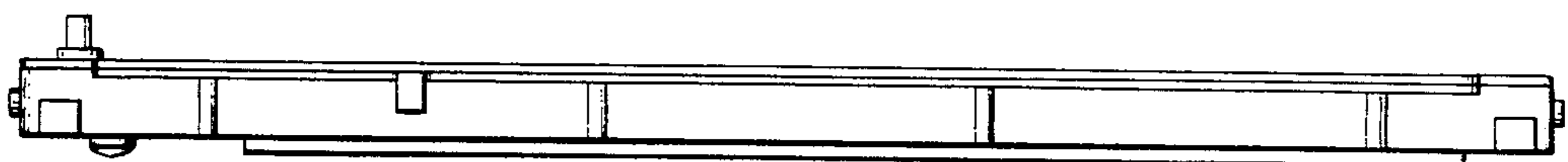


Fig. 6.

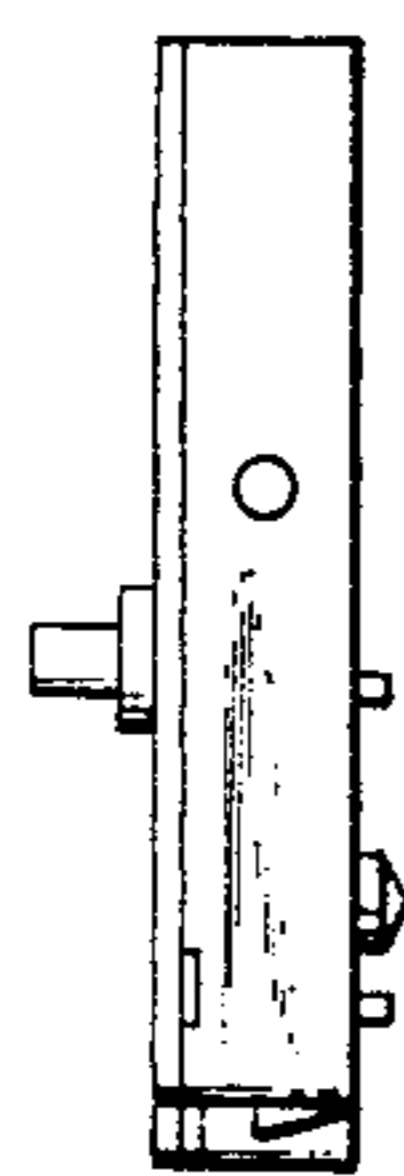


Fig. 7.

