

United States Patent [19]

Imada

[11] Patent Number: **Des. 280,906**

[45] Date of Patent: **** Oct. 8, 1985**

[54] **ELECTROPHOTOGRAPHIC COPYING MACHINE**

[75] Inventor: **Michio Imada, Kodaira, Japan**

[73] Assignee: **Olympus Optical Company Ltd., Tokyo, Japan**

[**] Term: **14 Years**

[21] Appl. No.: **535,704**

[22] Filed: **Sep. 26, 1983**

[30] **Foreign Application Priority Data**

Apr. 12, 1983 [JP] Japan SHO/58-15427

[52] U.S. Cl. **D16/31**

[58] Field of Search D16/27-32;
355/3 R, 3 SH, 5-14 R, 14 SH, 18-19, 51

[56] **References Cited**

U.S. PATENT DOCUMENTS

D. 248,957 8/1978 Kitai D16/31
D. 260,902 9/1981 Kurozumi D16/27
D. 262,118 12/1981 Sinn D16/31
D. 270,252 8/1983 Hayashi D16/31

3,597,074 8/1971 Murgas et al. 355/8 X
3,751,158 8/1973 Komori 355/8
4,154,524 5/1979 Hattori 355/51 X

OTHER PUBLICATIONS

Office Products-7/78-p. 39-Copiers at top rt.

Primary Examiner—Nelson C. Holtje

Attorney, Agent, or Firm—Louis Weinstein

[57] **CLAIM**

The ornamental design for an electrophotographic copying machine, as shown and described.

DESCRIPTION

FIG. 1 is a front and top-left perspective view of an electrophotographic copying machine showing my new design;

FIG. 2 is a rear and bottom-right perspective view thereof;

FIG. 3 is a front elevational view thereof;

FIG. 4 is a rear elevational view thereof;

FIG. 5 is a right side elevational view thereof;

FIG. 6 is a left side elevational view thereof;

FIG. 7 is a top plan view thereof;

FIG. 8 is a bottom plan view thereof.

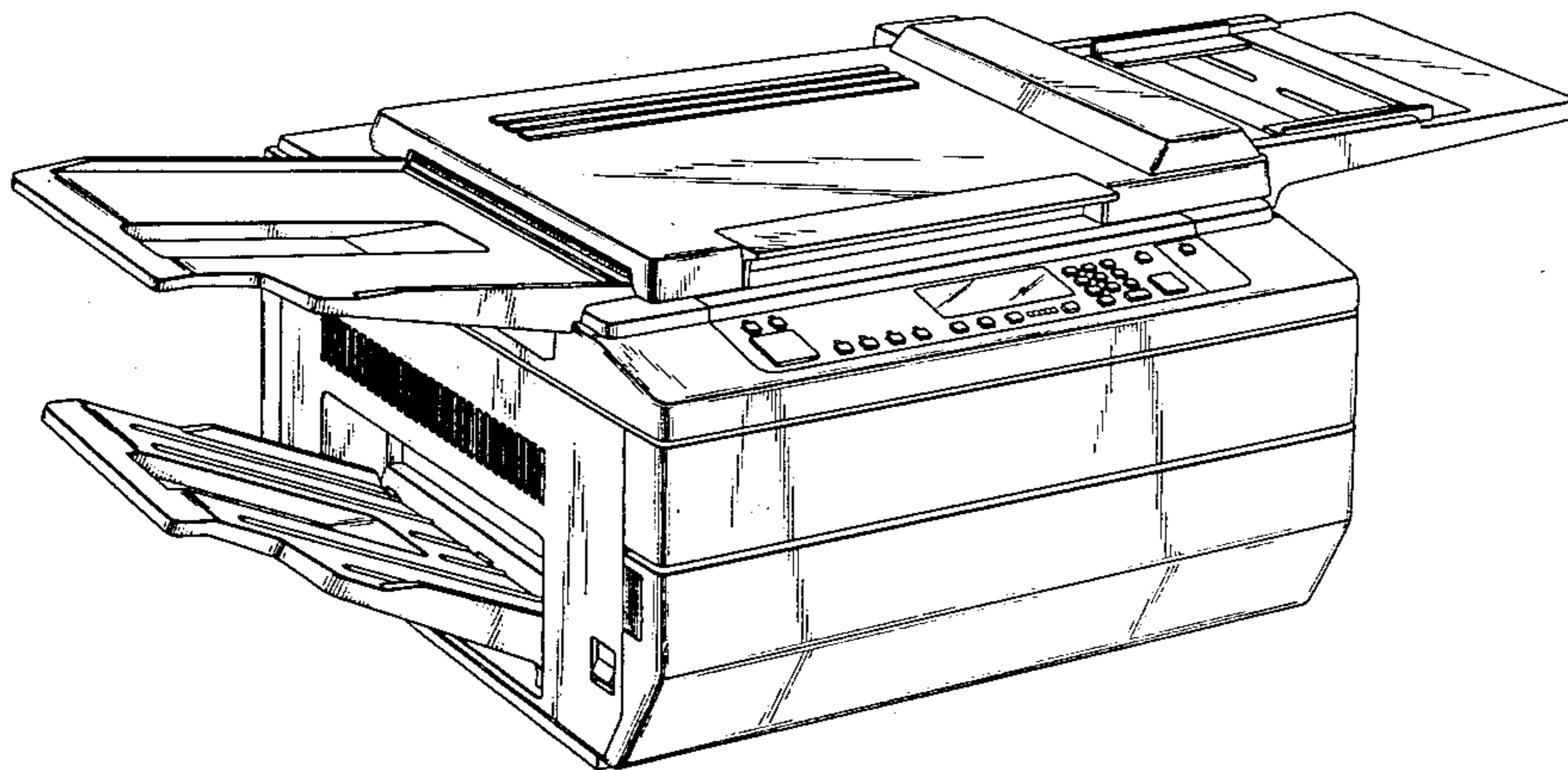


FIG. 1

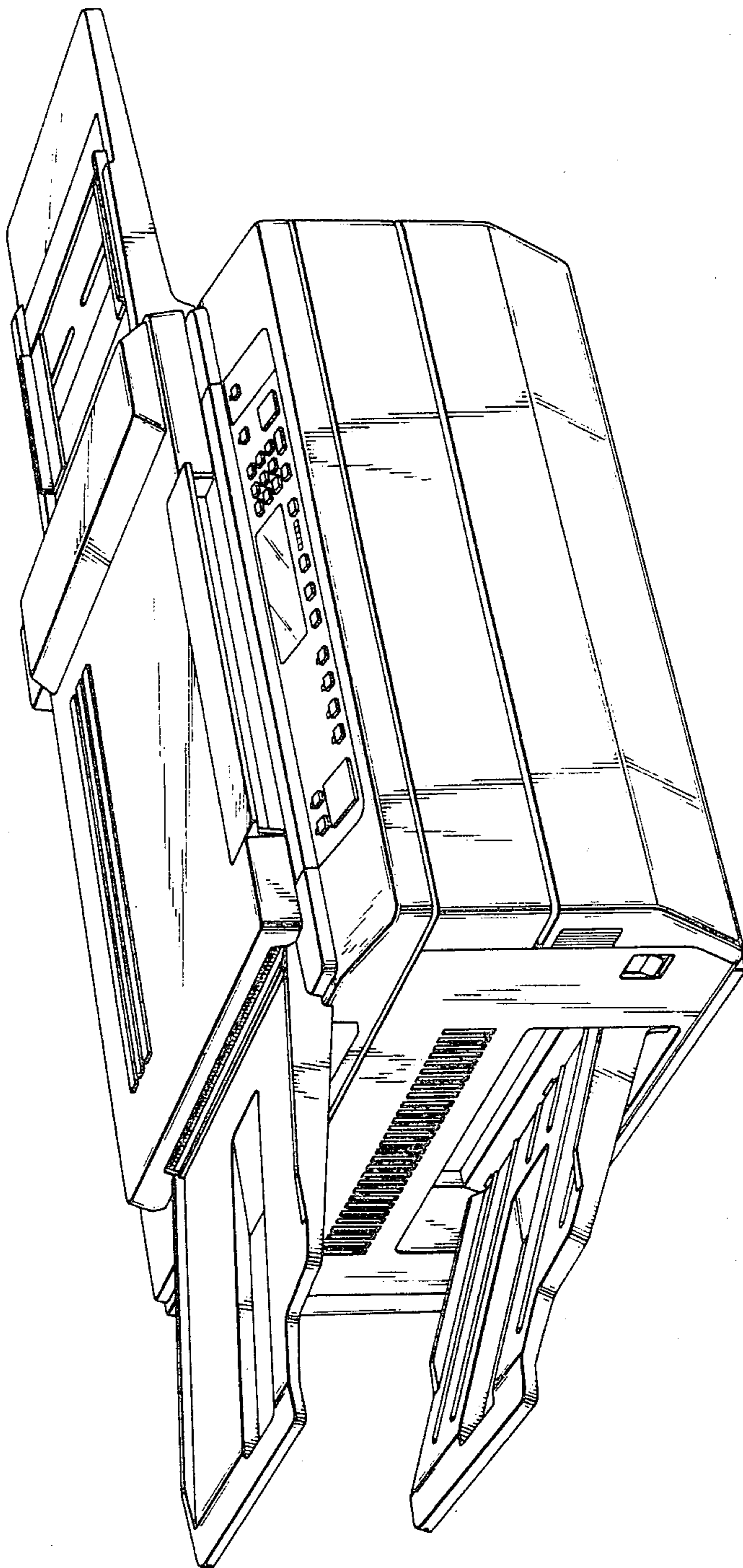
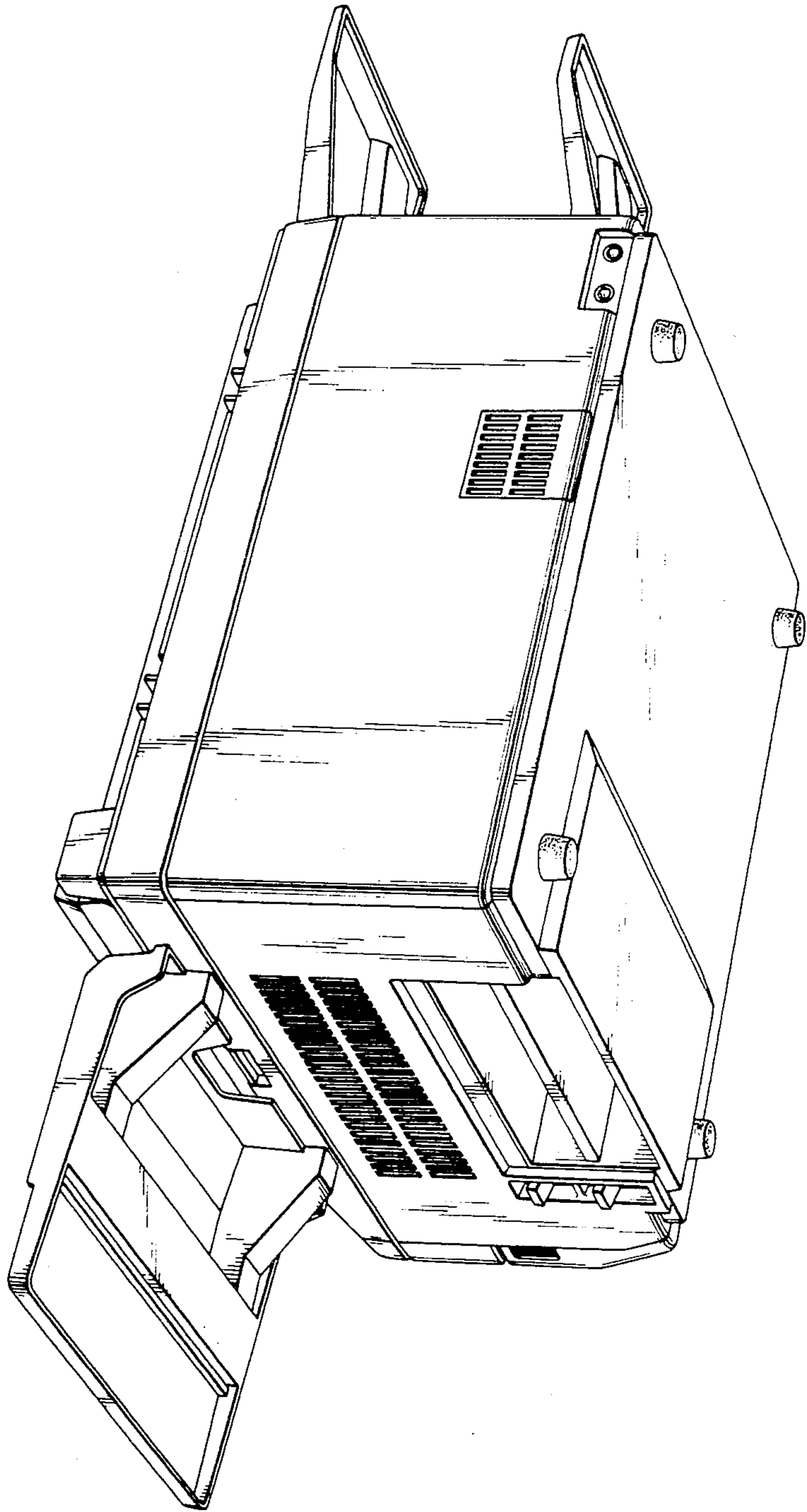


FIG. 2



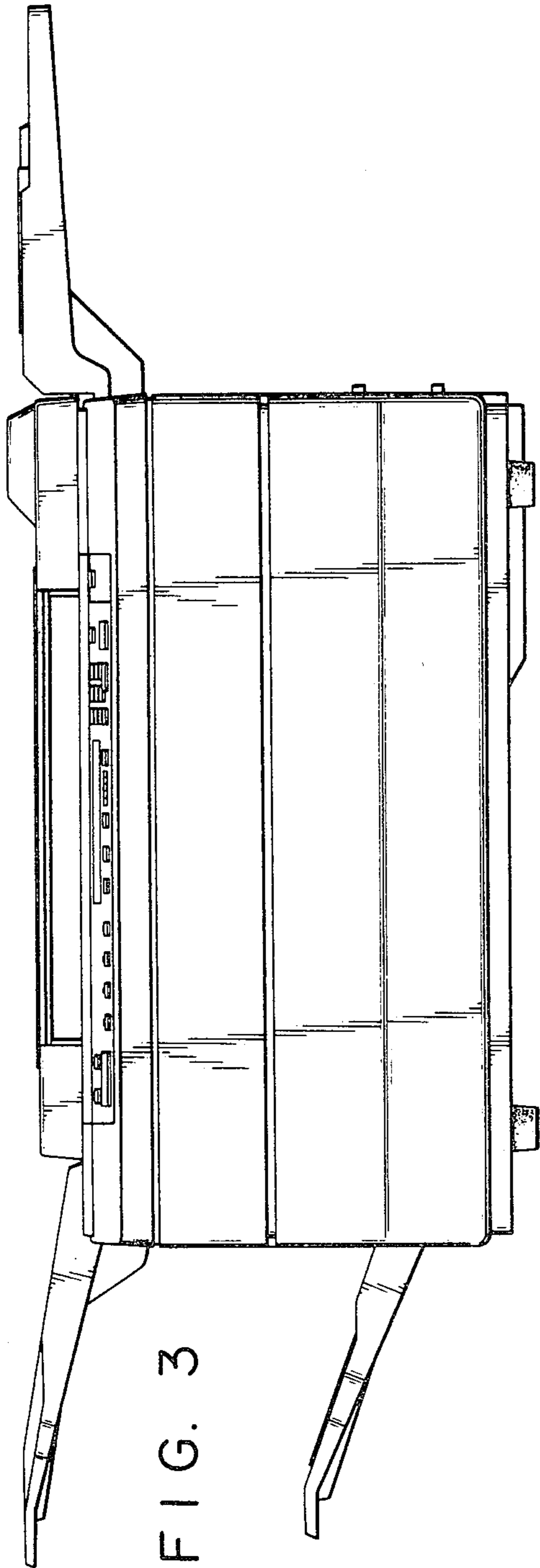


FIG. 3

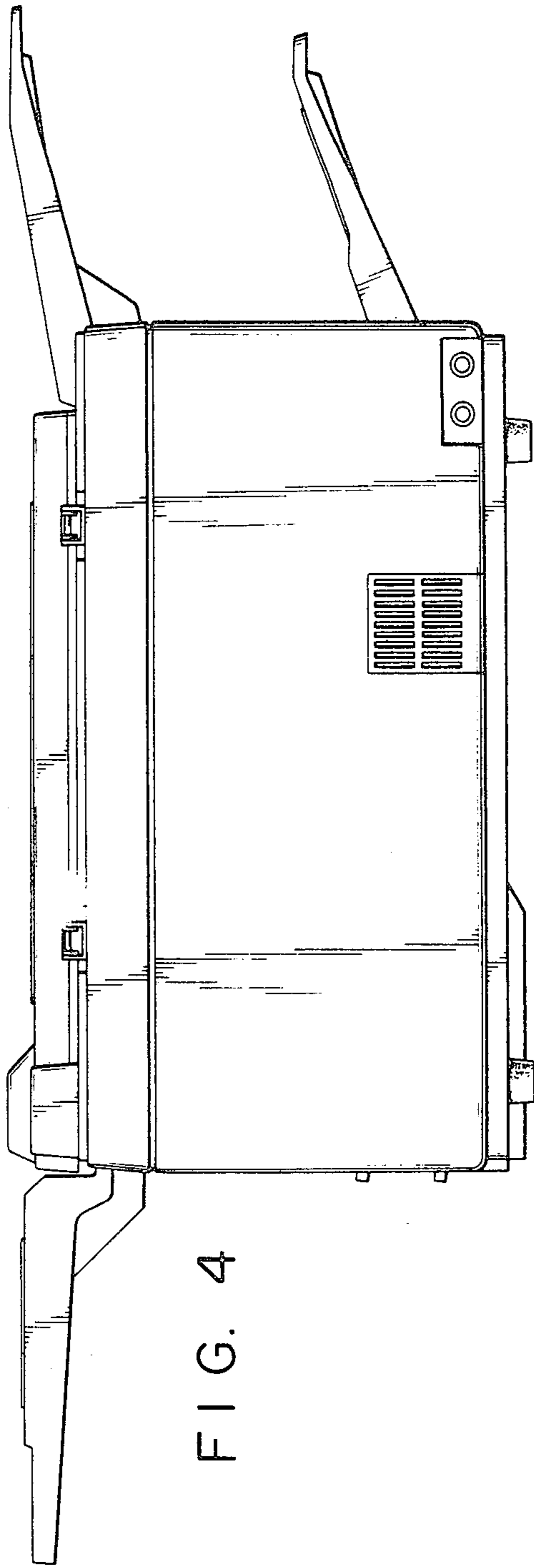


FIG. 4

FIG. 5

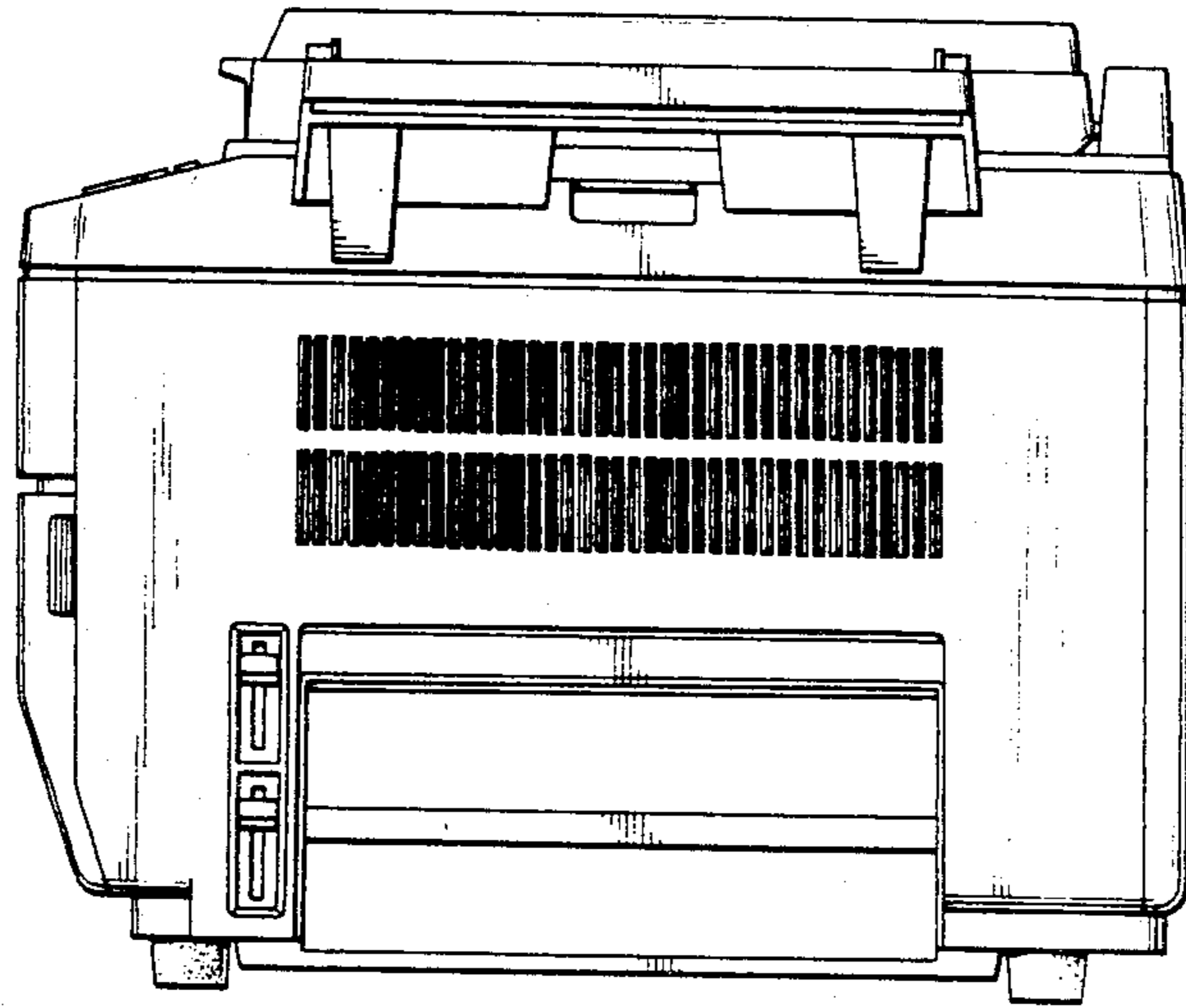


FIG. 6

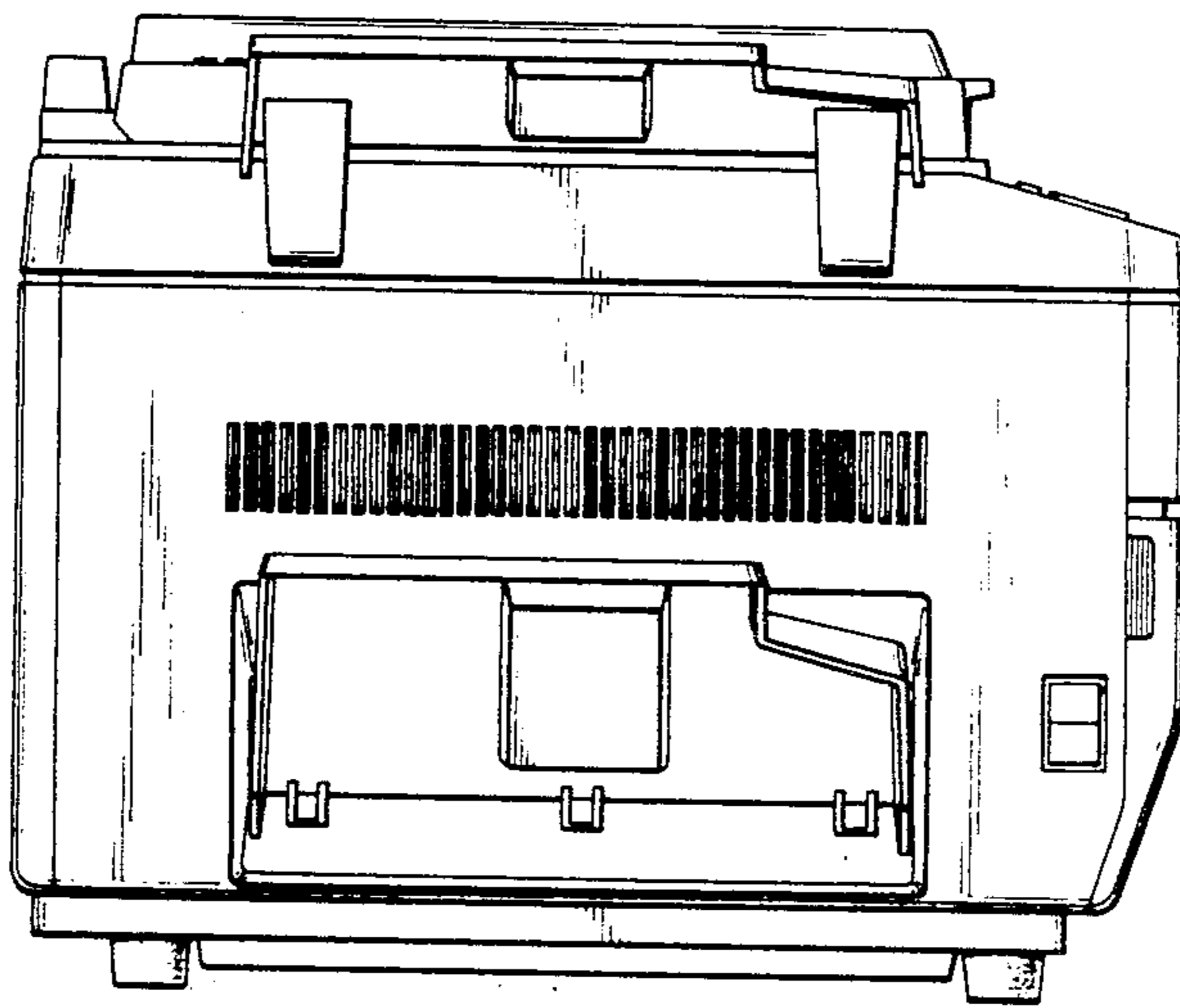


FIG. 7

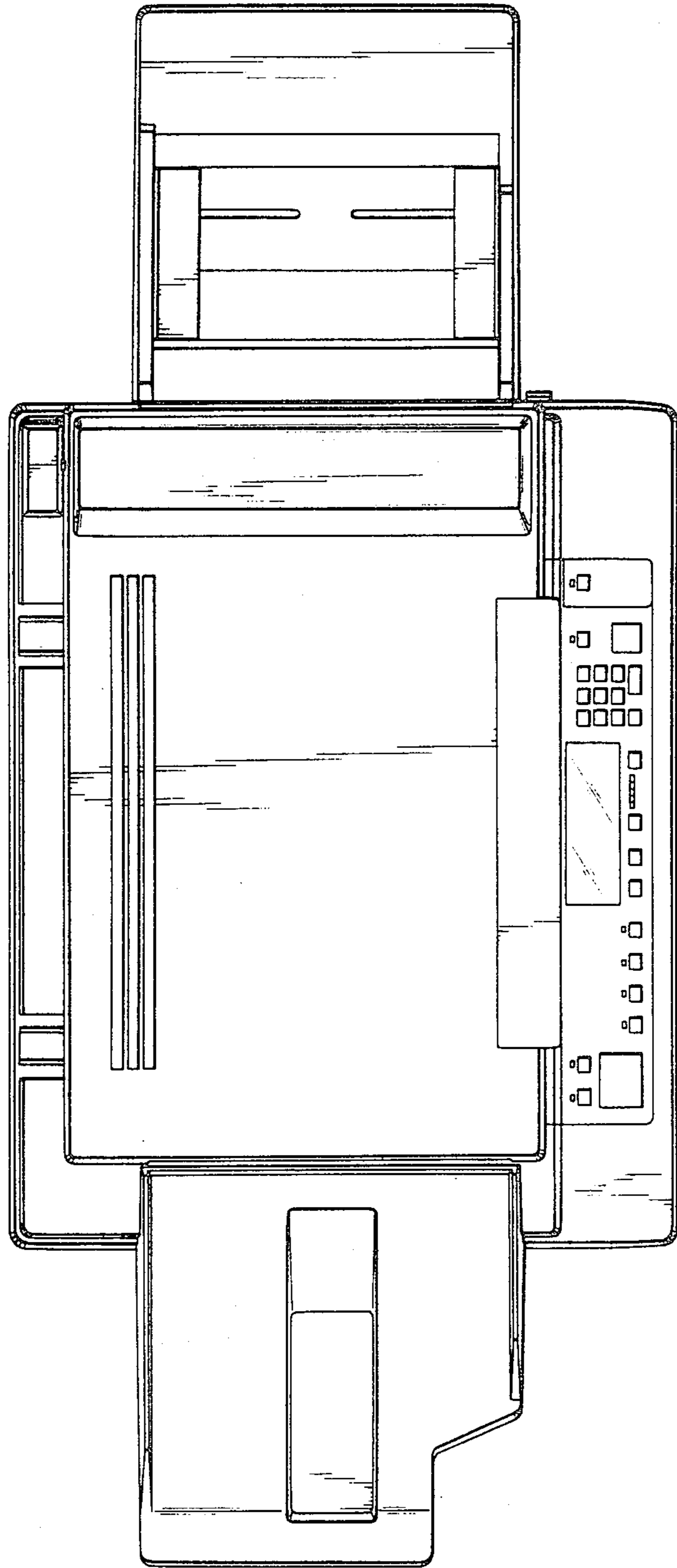


FIG. 8

