

[54] CUTTING ATTACHMENT FOR A WEED TRIMMER

[76] Inventor: Larance E. Barbula, 9393 Barbula Hill, Newcastle, Calif. 95698

[\*\*] Term: 14 Years

[21] Appl. No.: 565,446

[22] Filed: Dec. 27, 1983

[52] U.S. Cl. .... D15/16; D15/17

[58] Field of Search ..... D15/10, 11, 16, 17; 56/12.7, 256, 295; 30/276

[56] References Cited

U.S. PATENT DOCUMENTS

2,569,308	9/1951	Hoopala .....	56/12.7
2,656,662	10/1953	Hines .....	56/12.7
4,126,990	11/1978	Fisher et al. ....	56/12.7
4,270,271	6/1981	Feldman et al. ....	56/12.7

FOREIGN PATENT DOCUMENTS

0248463	12/1963	Australia .....	56/295
2382840	11/1978	France .....	30/276

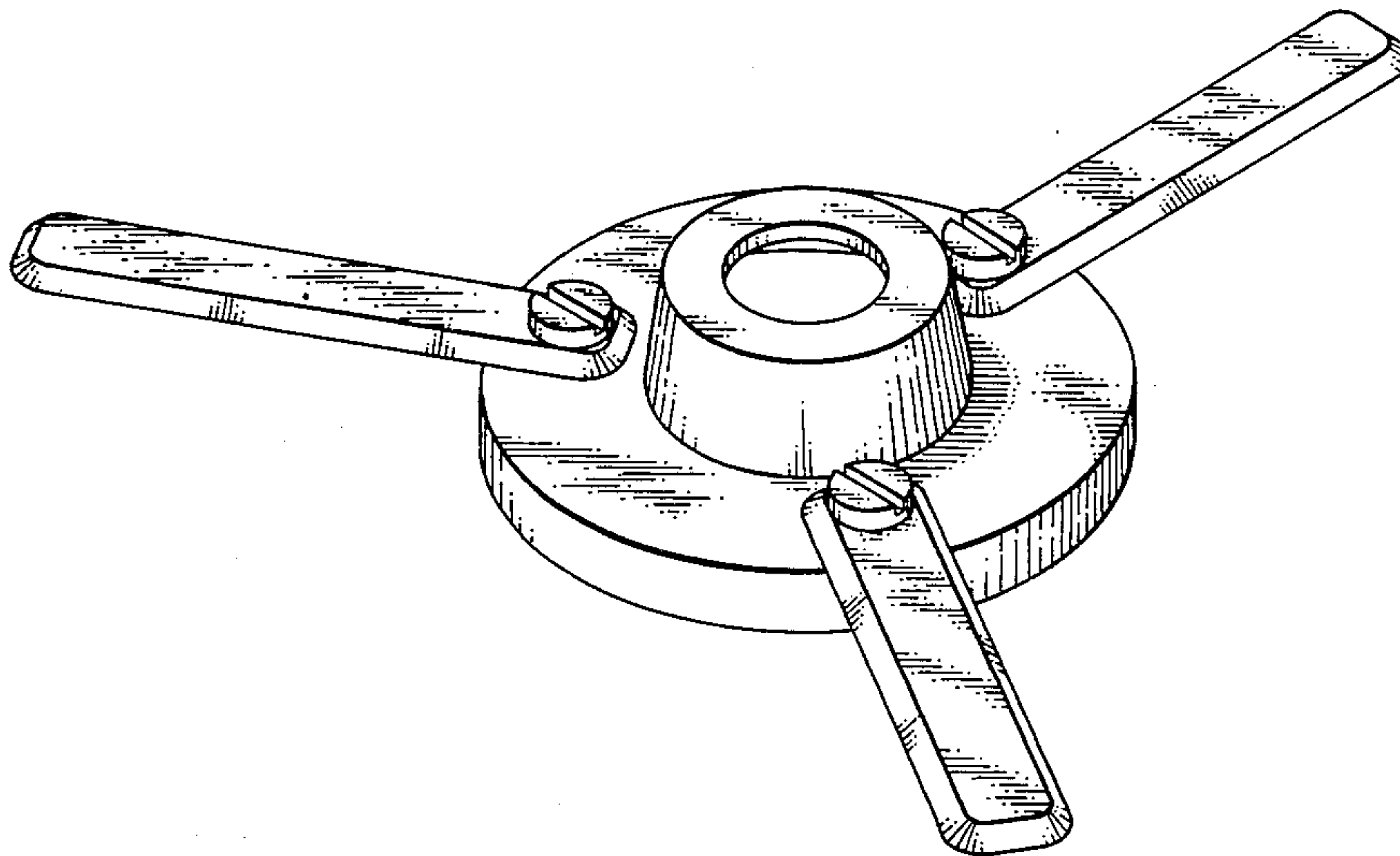
Primary Examiner—B. J. Bullock  
Assistant Examiner—Suzanne N. Gitlin  
Attorney, Agent, or Firm—Lothrop & West

[57] CLAIM

The ornamental design for a cutting attachment for a weed trimmer, as shown and described.

DESCRIPTION

FIG. 1 is a perspective view of a cutting attachment for a weed trimmer, showing my new design; FIG. 2 is a top plan view thereof; FIG. 3 is a front elevational view thereof; FIG. 4 is a rear elevational view thereof; FIG. 5 is a bottom plan view thereof; and, FIG. 6 is an enlarged sectional view taken in the direction of the arrows along line 6—6 in FIG. 2.



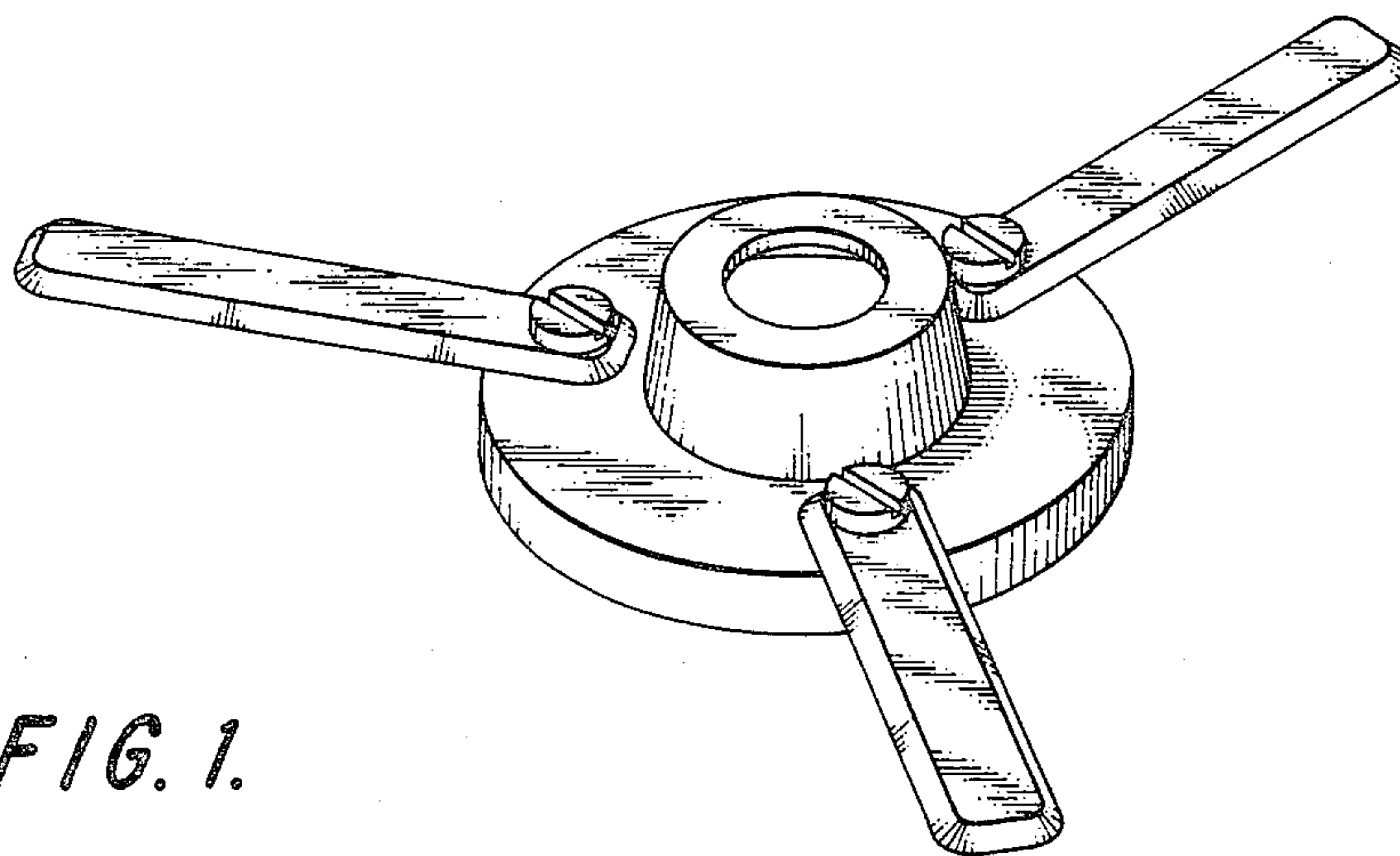


FIG. 1.

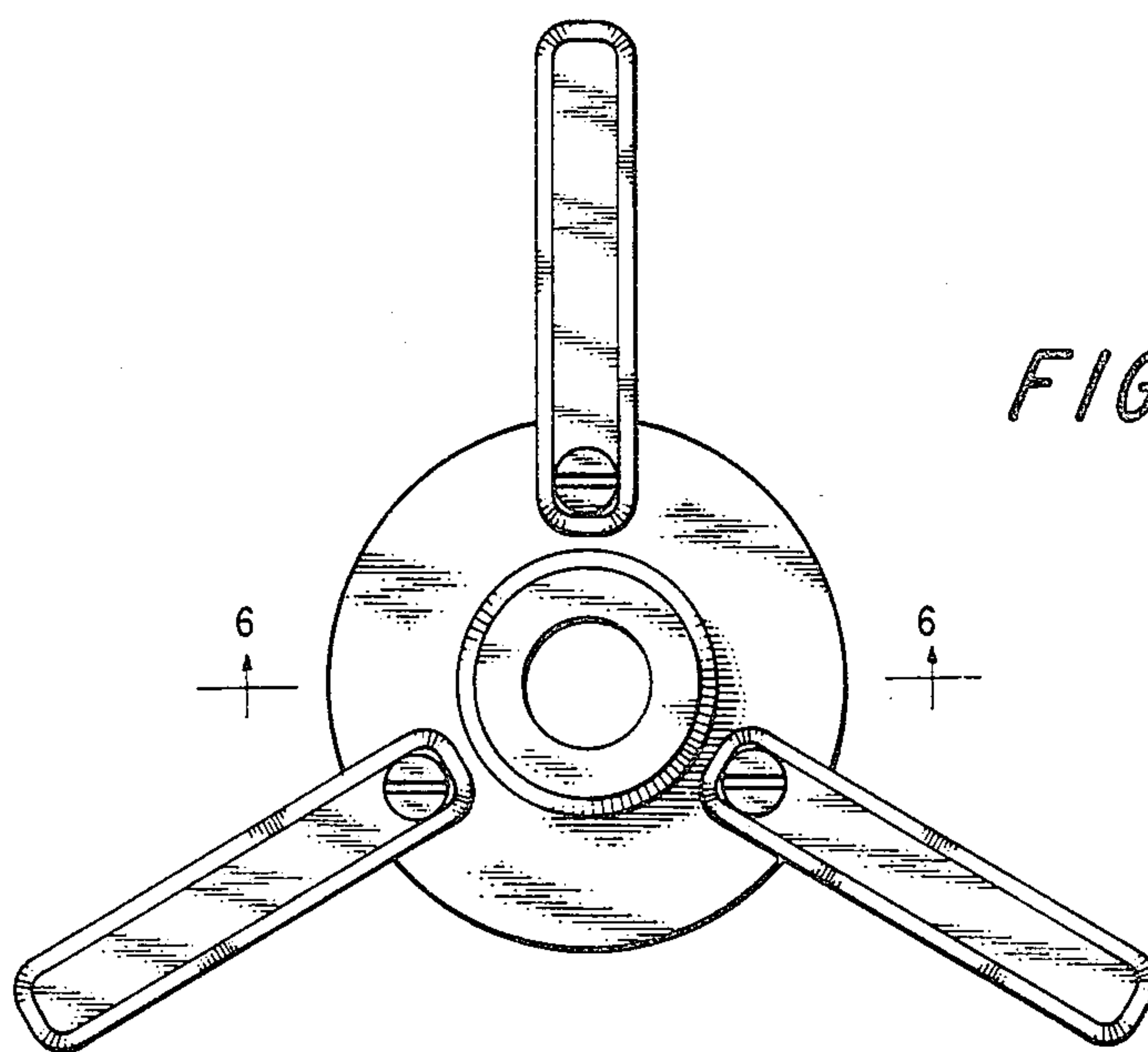


FIG. 2.

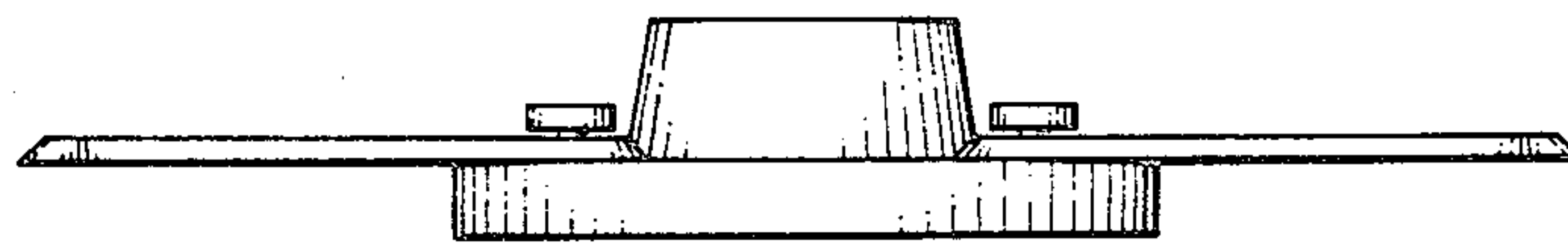


FIG. 3.

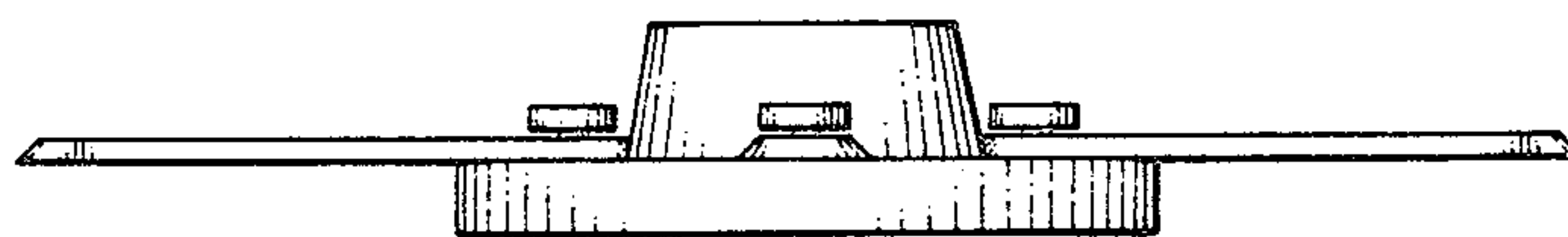
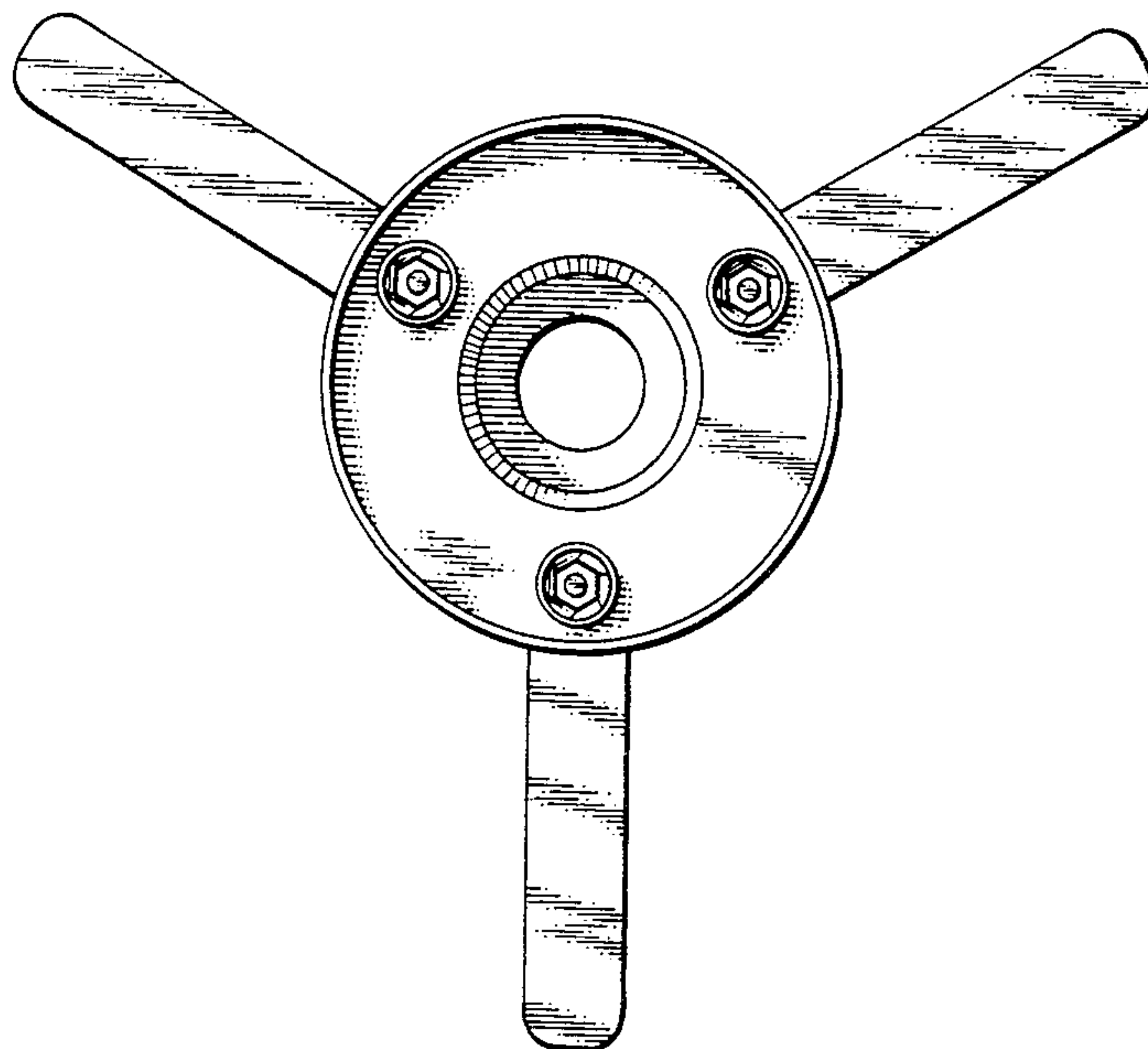


FIG. 4.

*FIG. 5.*



*FIG. 6.*

