

United States Patent [19]

Tsumura et al.

[11] Patent Number: **Des. 280,900**

[45] Date of Patent: **** Oct. 8, 1985**

[54] **PRINTER**

[75] Inventors: **Tomoki Tsumura**, Yokohama;
Hiroshi Maruoka, Fujisawa; **Toshio Asaji**, Yokohama; **Mitsuru Yamamoto**, Yamato, all of Japan

[73] Assignee: **Panafacom Limited**, Yamato, Japan

[**] Term: **14 Years**

[21] Appl. No.: **459,941**

[22] Filed: **Jan. 21, 1983**

[30] **Foreign Application Priority Data**

Jul. 22, 1982 [JP] Japan 57-33203

[52] U.S. Cl. **D14/111**

[58] Field of Search D14/111; D18/13, 22,
D18/23; 400/691, 693

[56] **References Cited**

U.S. PATENT DOCUMENTS

D. 252,202 6/1979 Sakamoto D14/111

OTHER PUBLICATIONS

Computer Design, 3-1980, p. 186, United Systems Corp. 6400 Series Printer.

Computer Design, 2-1981, p. 233, Bell & Howell Gray Scale Printer.

Primary Examiner—Susan J. Lucas

[57] **CLAIM**

The ornamental design for a printer, as shown.

DESCRIPTION

FIG. 1 is a bottom plan view of a printer showing our new design;

FIG. 2 is a top plan view thereof;

FIG. 3 is a perspective view thereof;

FIG. 4 is a left side elevational view thereof;

FIG. 5 is a front side elevational view thereof;

FIG. 6 is a right side elevational view thereof; and

FIG. 7 is a rear elevational view thereof.

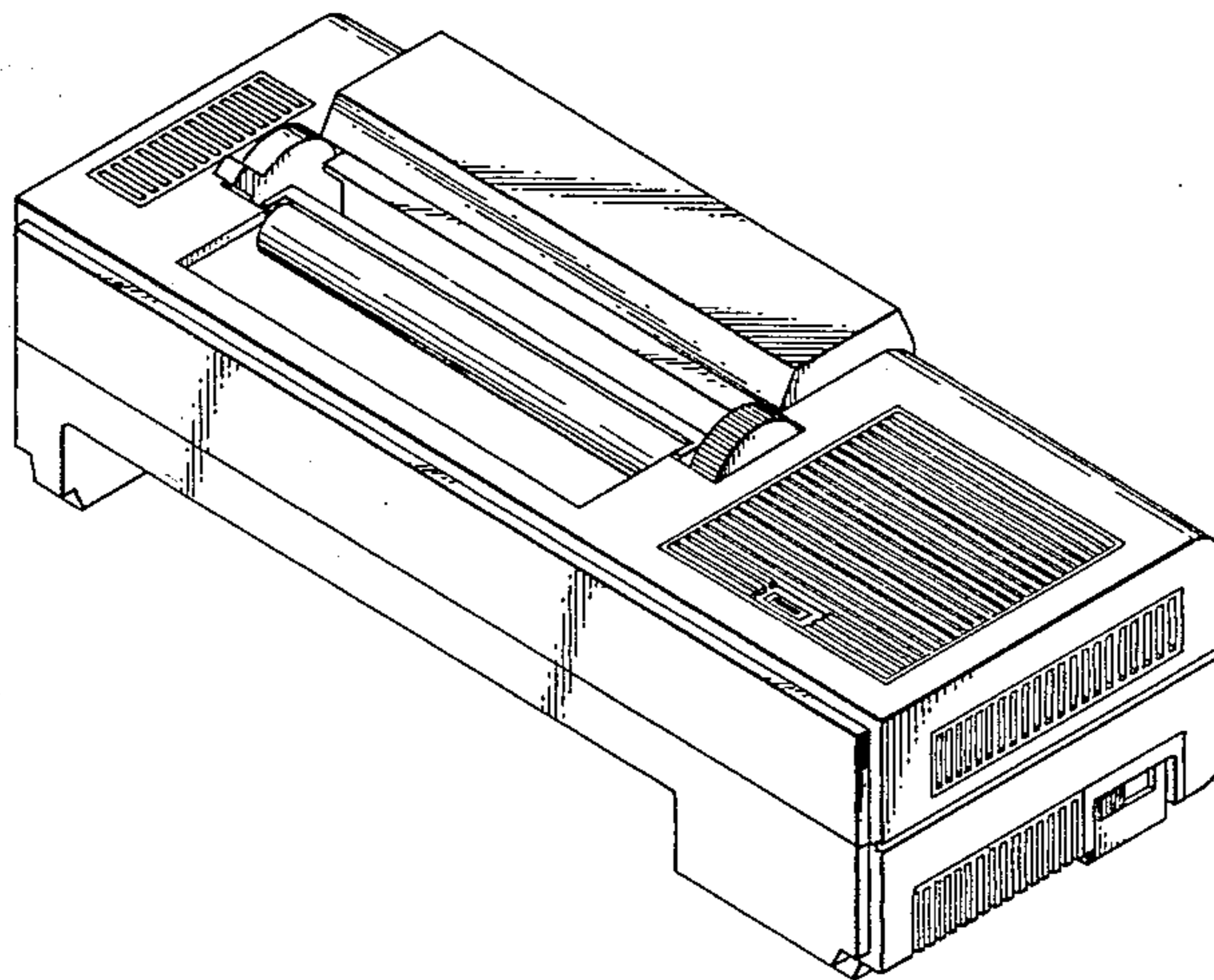


FIG. 1.

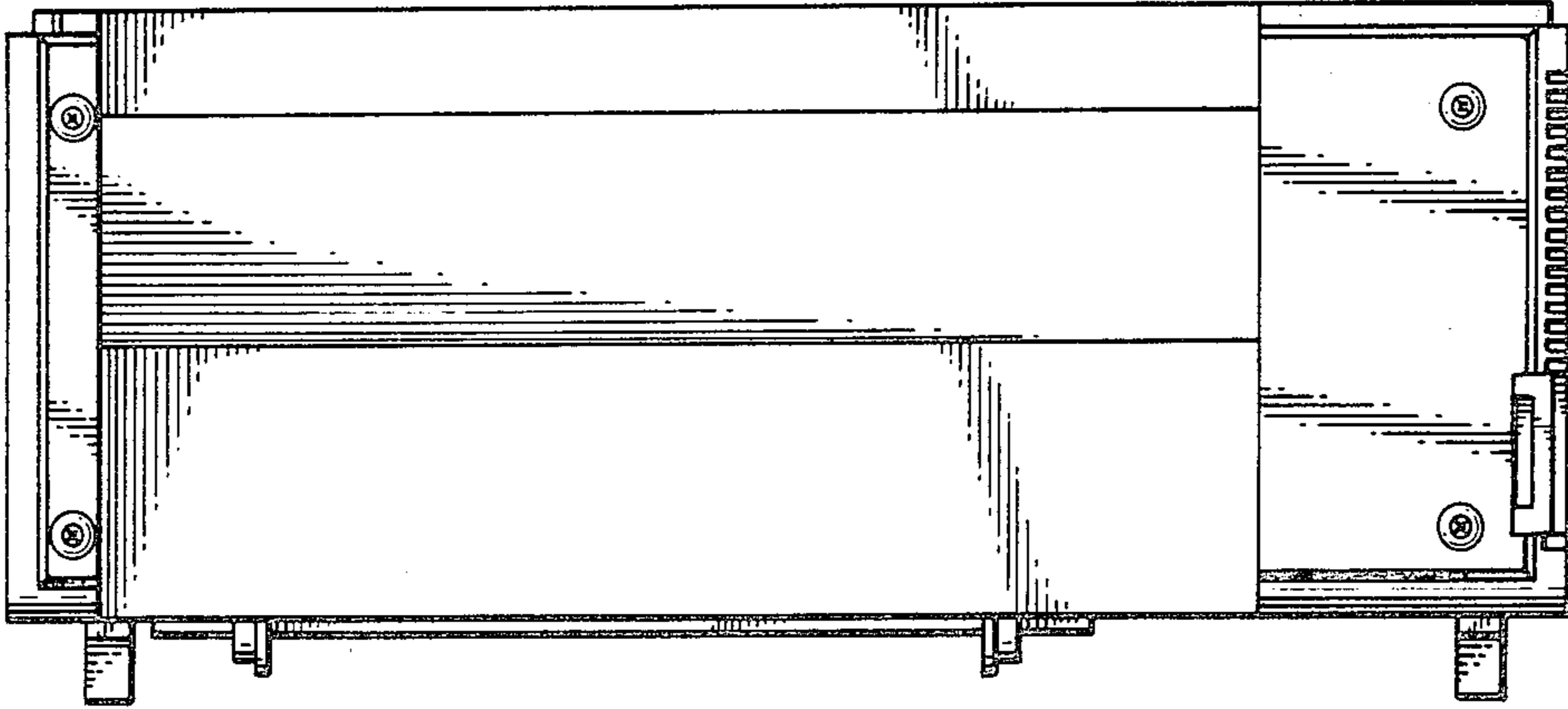


FIG. 2.

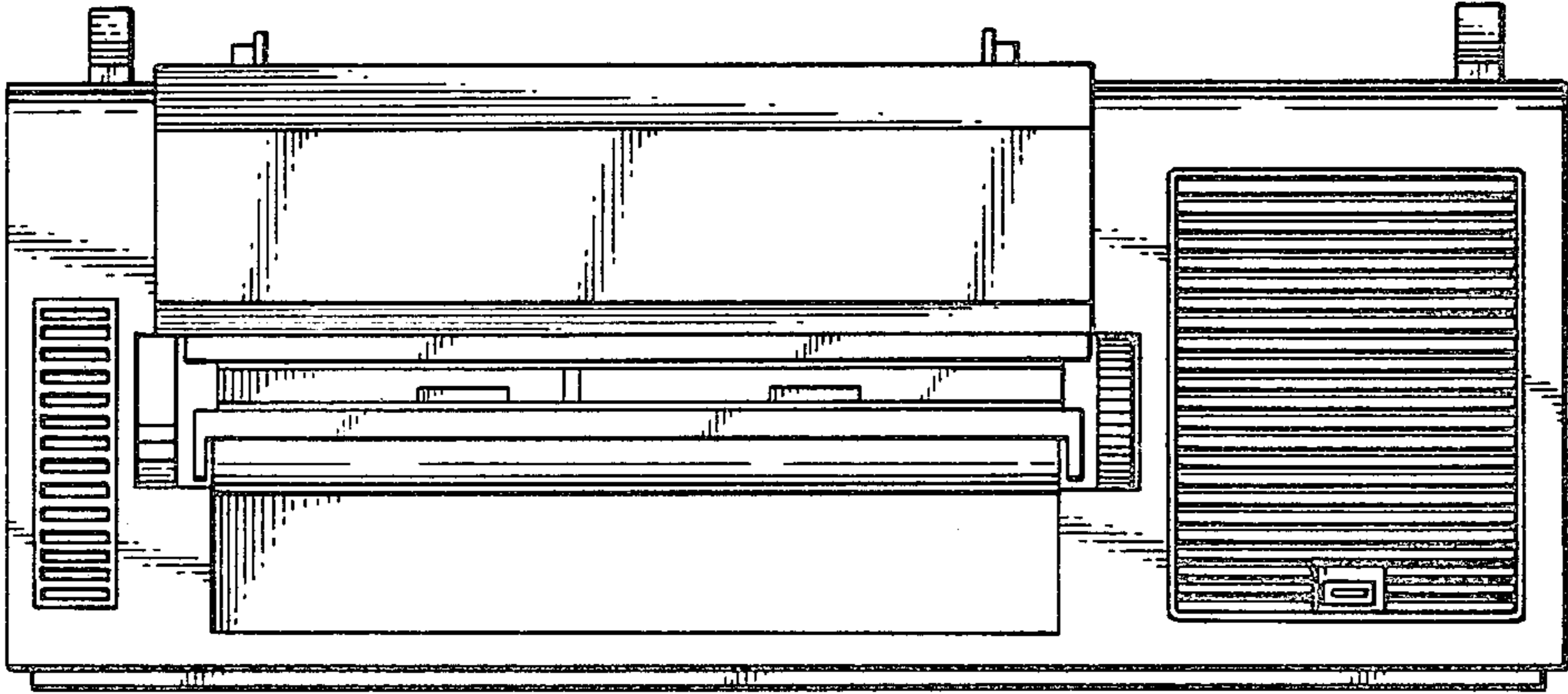


FIG. 4.

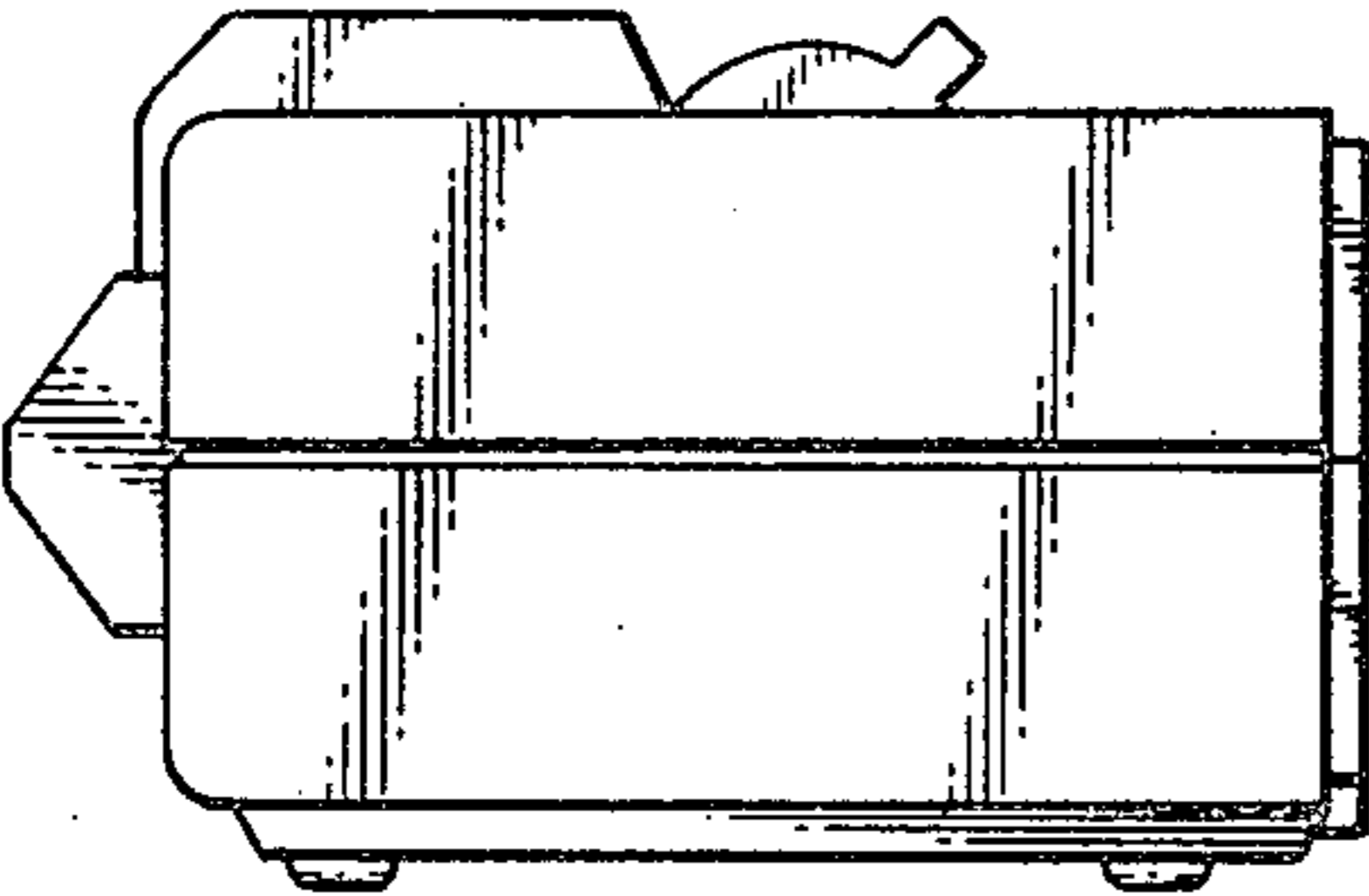
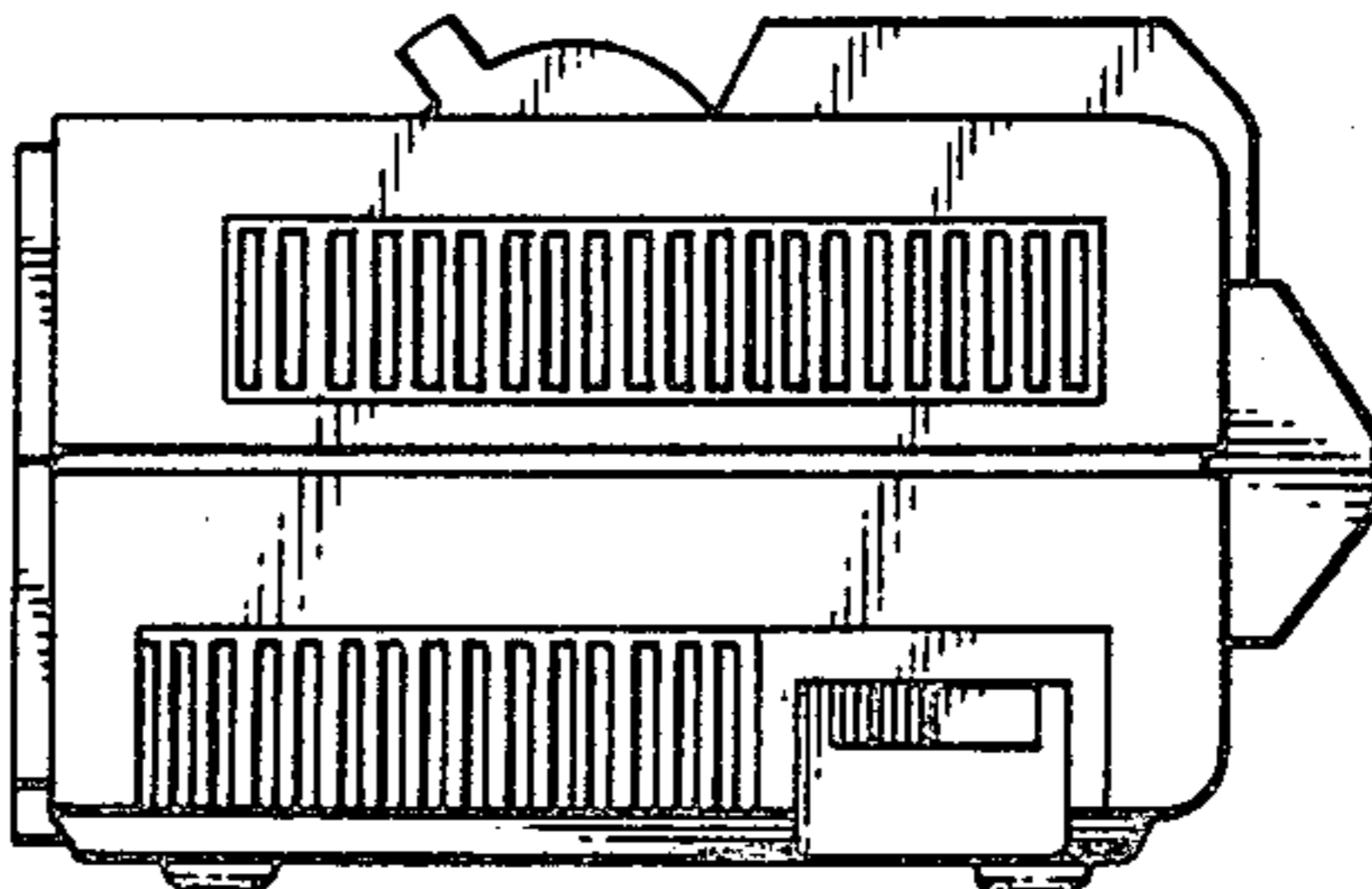


FIG. 6.



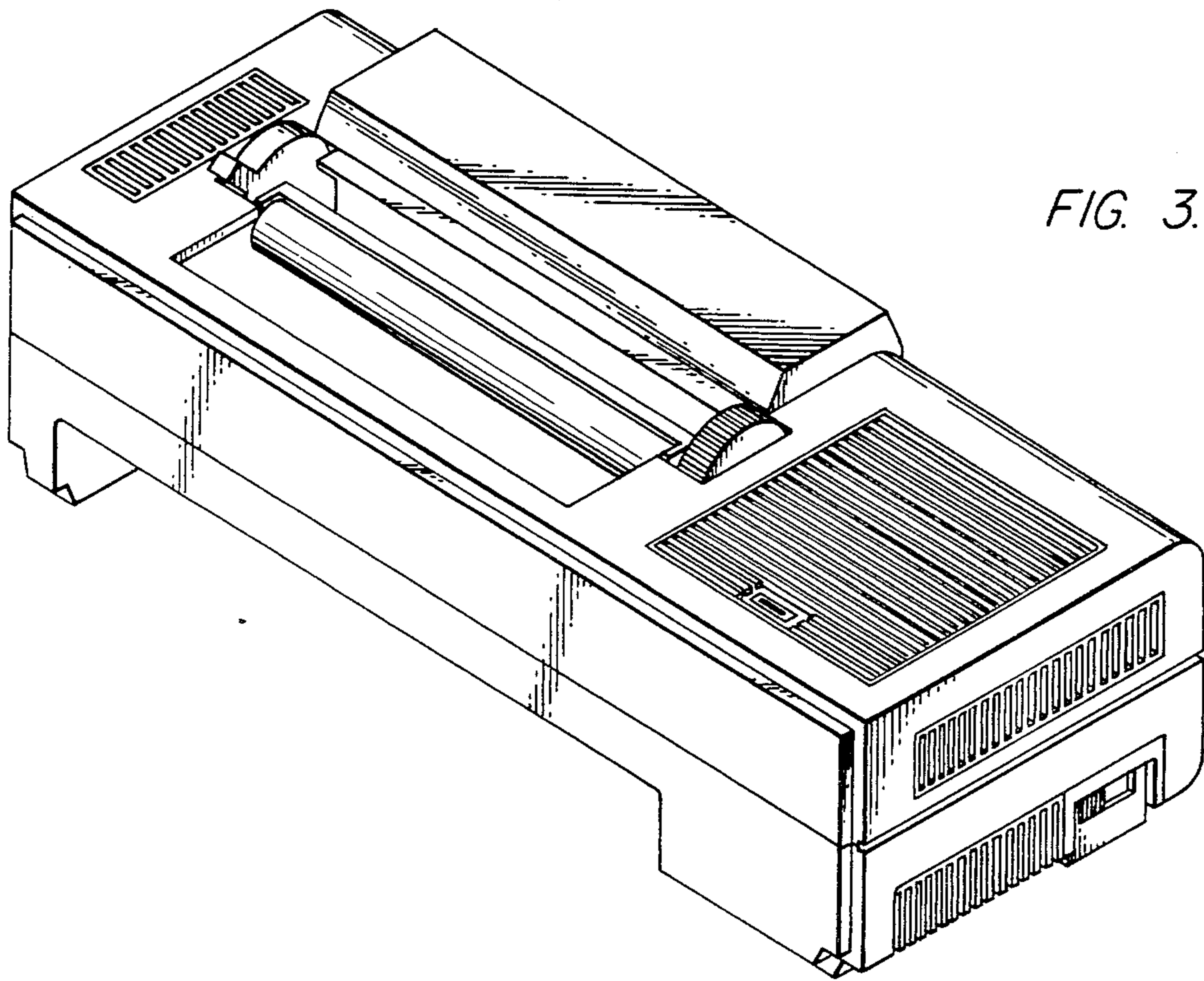


FIG. 3.

FIG. 5.

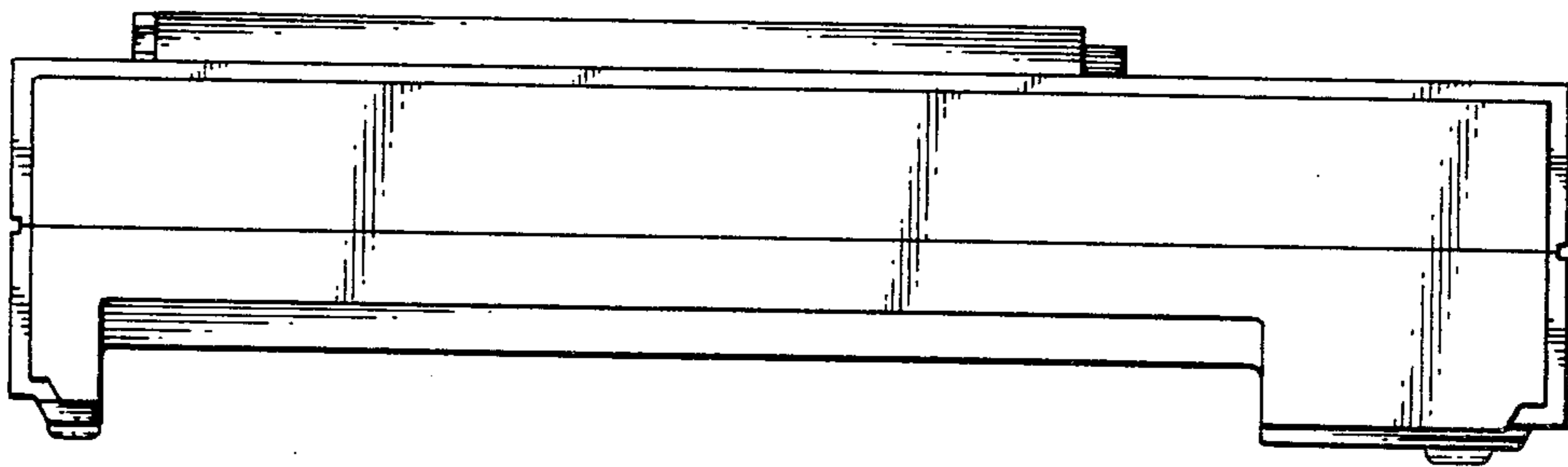


FIG. 7.

