

[54] FLOPPY DISK MODULE

[75] Inventors: Benjamin Sherman, Fremont; Jo E. Burch; Ralph M. Swan, both of Sunnyvale, all of Calif.

[73] Assignee: Pitney Bowes Inc., Stamford, Conn.

[**] Term: 14 Years

[21] Appl. No.: 449,963

[22] Filed: Dec. 15, 1982

[52] U.S. Cl. D14/109

[58] Field of Search D14/100-116; 360/97, 98, 99

[56] References Cited

U.S. PATENT DOCUMENTS

- D. 252,273 7/1979 Arjani et al. D14/109
- D. 254,736 4/1980 Kneale D14/109

OTHER PUBLICATIONS

Computer Design, 2-1981, p. 223, Kontron® PS180 Intelligent Computer Controller.

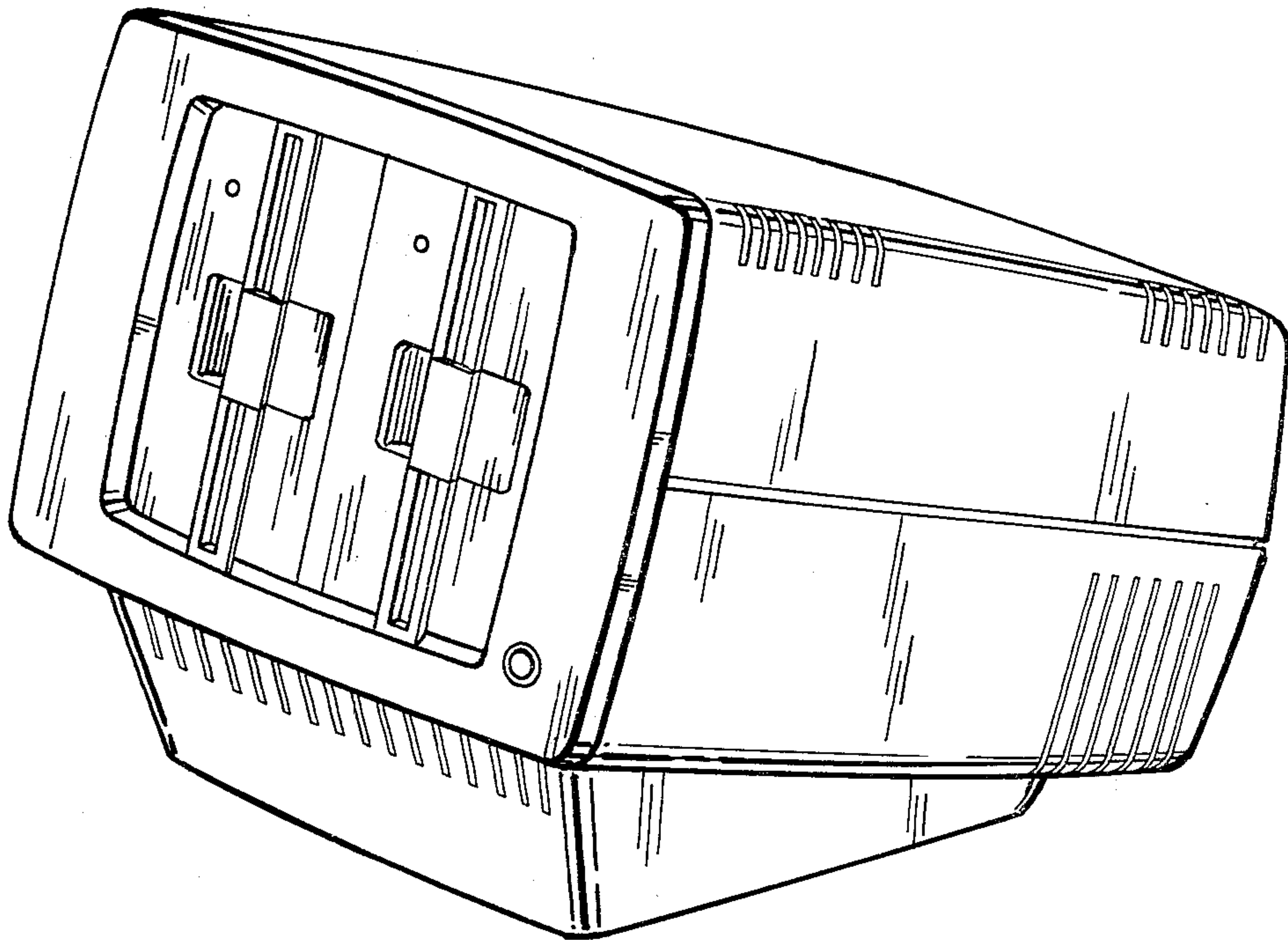
Primary Examiner—Susan J. Lucas

[57] CLAIM

The ornamental design for a floppy disk module, as shown and described.

DESCRIPTION

FIG. 1 is a perspective view of a floppy disk module showing our new design;
 FIG. 2 is a front elevational view thereof;
 FIG. 3 is a left side elevational view thereof the right side being substantially identical thereto;
 FIG. 4 is a top plan view thereof;
 FIG. 5 is a rear elevational view thereof;
 The right side elevational view being substantially identical to the right side.



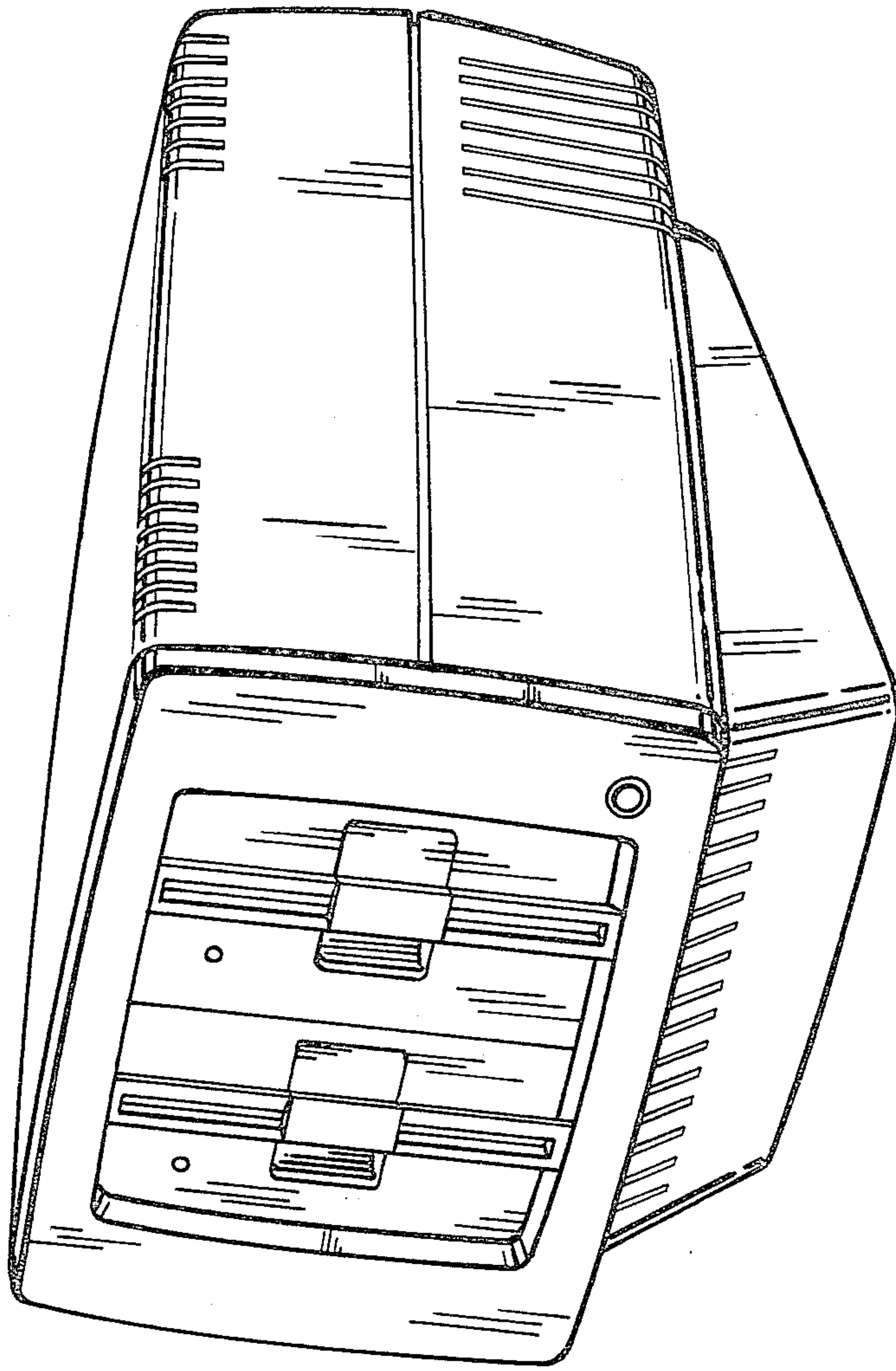


FIG. 1

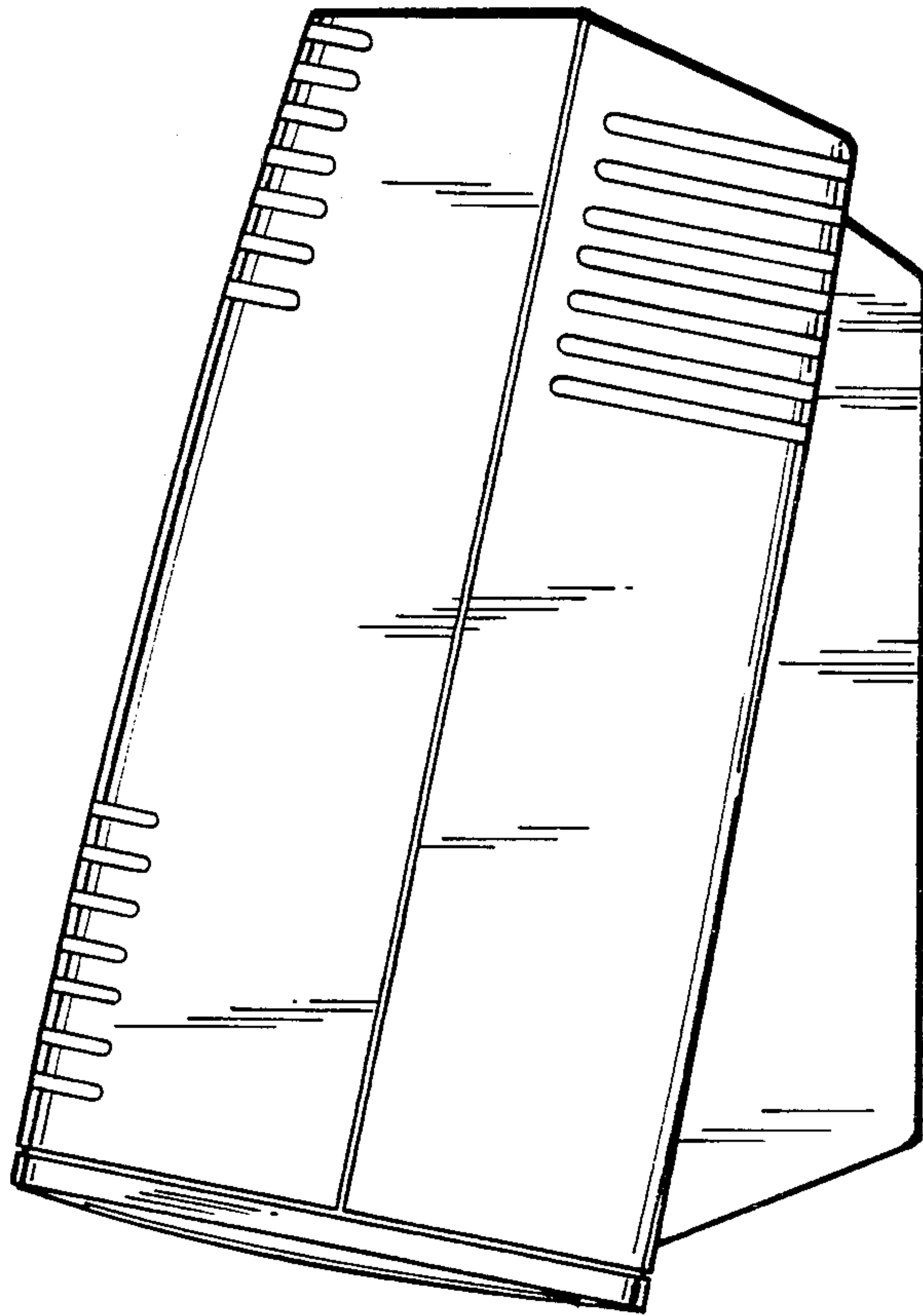


FIG. 3

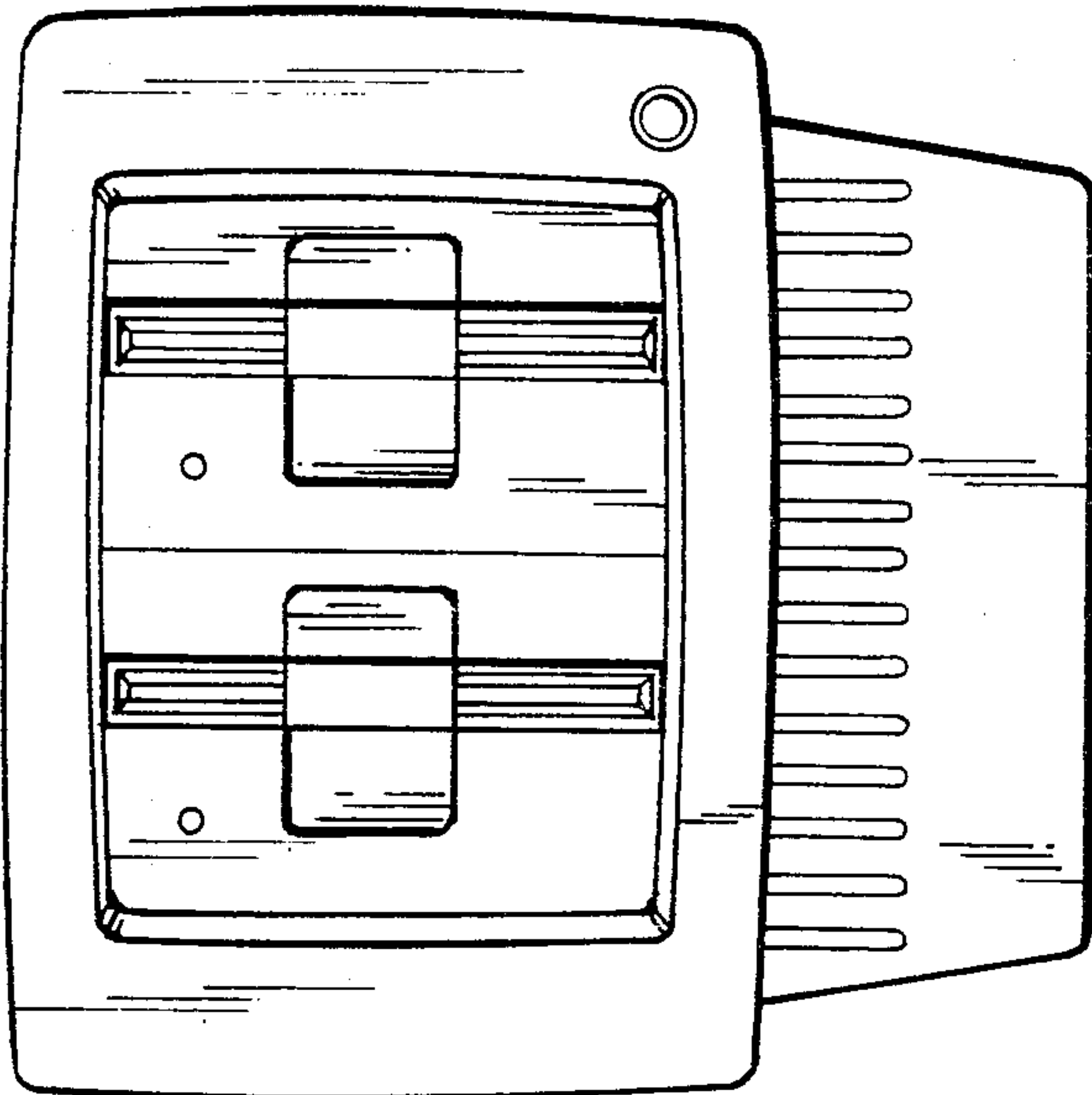


FIG. 2

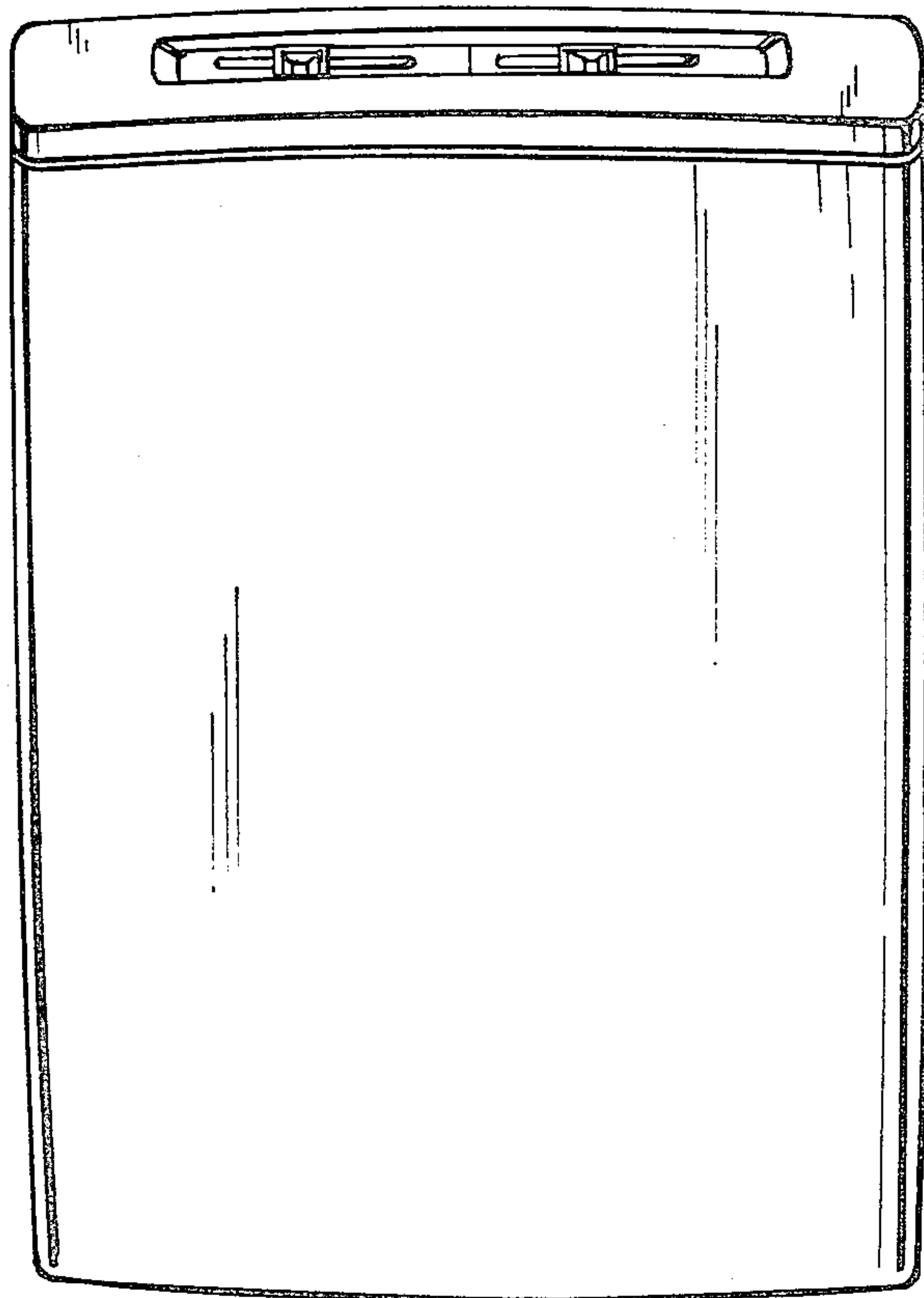


FIG. 4

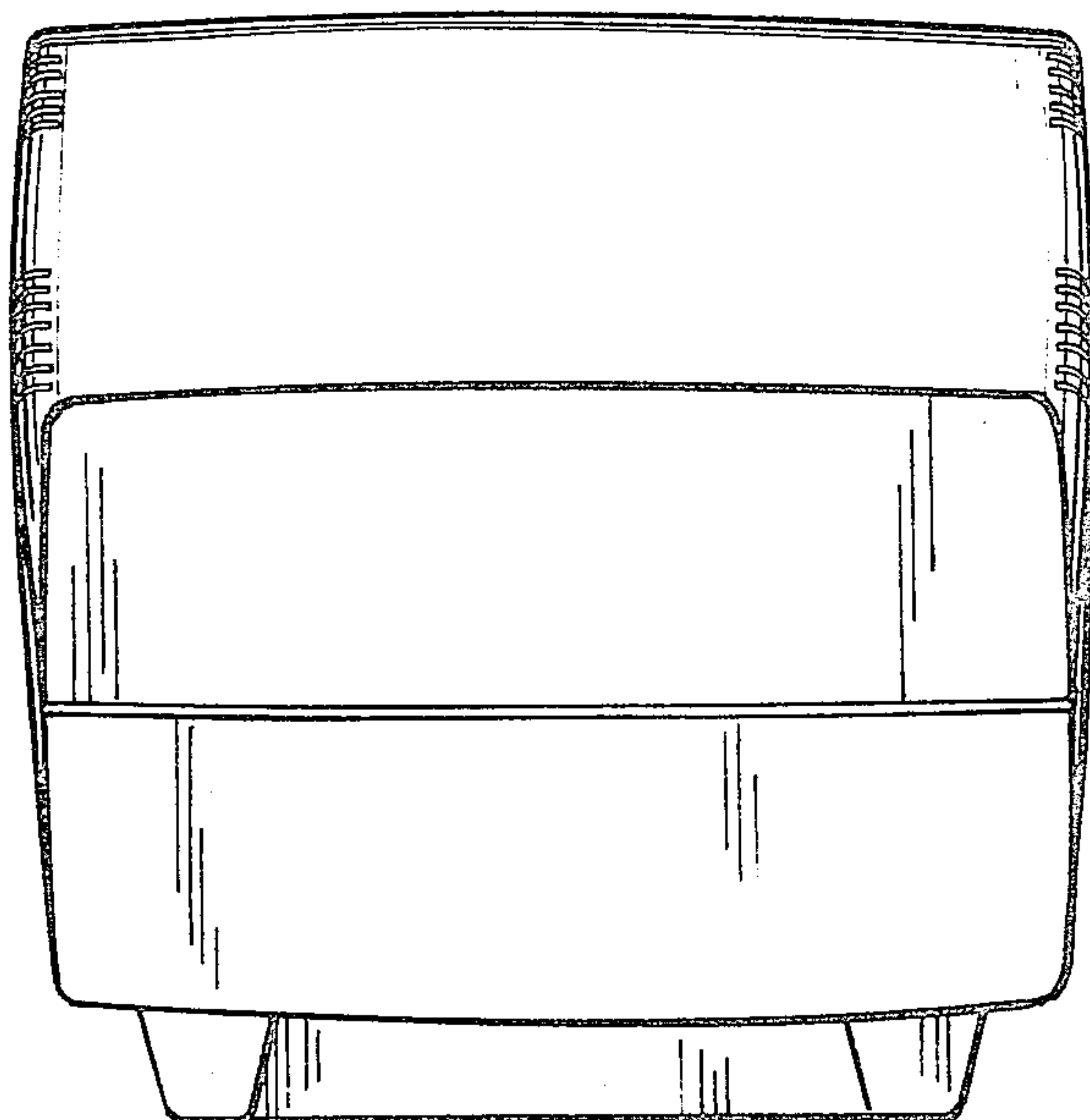


FIG. 5