

[54] **HOUSING FOR CENTRAL PROCESSING SYSTEMS OR SIMILAR ARTICLE**

[76] **Inventors:** Paul E. Benigni, 100 Short St., Bridgewater, Mass. 02324; John C. Costello, 17 Wessex Rd., Newton Center, Mass. 02159; Jack G. Gregory, 118 Parker St. 23 C, Acton, Mass. 01720; Stuart K. Morgan, 65 Leonard Rd., Boxboro, Mass. 01719

[**] **Term: 14 Years**

[21] **Appl. No.: 406,411**

[22] **Filed: Aug. 9, 1982**

[52] **U.S. Cl. D14/107; D14/102; D14/109**

[58] **Field of Search D6/85, 181, 20, 25; D14/102, 107, 109, 100, 101, 103, 104, 105, 106, 108, 109-116; 174/52 R; 361/331, 334, 390, 391**

[56] **References Cited**
U.S. PATENT DOCUMENTS

- D. 158,768 5/1950 Kress D14/102
- D. 211,176 5/1968 Kneale et al. D14/107 X
- D. 272,340 1/1984 Korzik D14/107 X

OTHER PUBLICATIONS

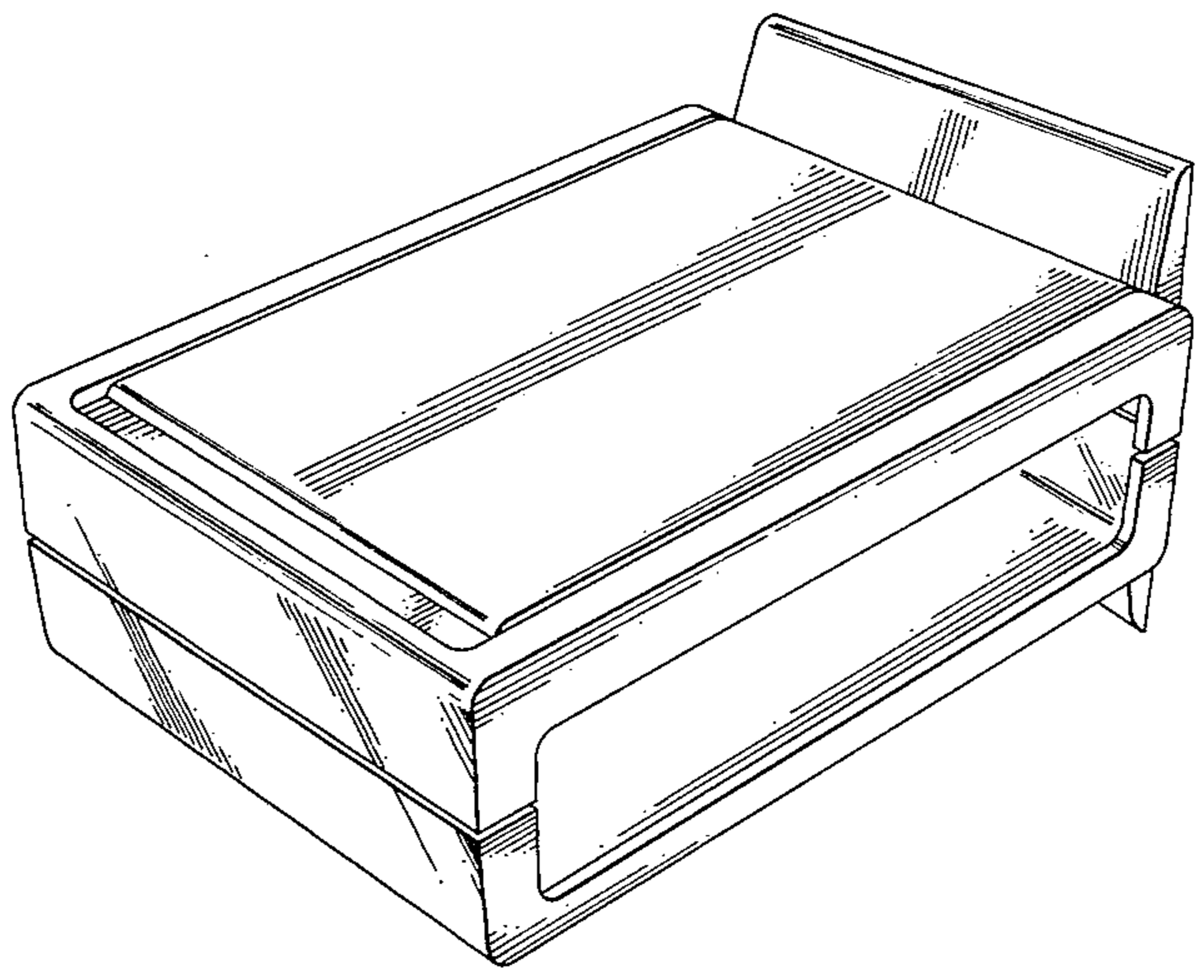
Design Dec. 1980 p. 49; Disk Drive Unit on page.
Primary Examiner—Carmen H. Vales
Attorney, Agent, or Firm—Ronald T. Reiling; Lester S. Grodberg

[57] **CLAIM**

The ornamental design for a housing for central processing systems or similar article, substantially as shown and described.

DESCRIPTION

FIG. 1 is a perspective view of a housing for central processing systems a similar article showing our new design;
FIG. 2 is a front elevational view thereof;
FIG. 3 is a rear elevational view thereof; and
FIG. 4 is a top plan view thereof.



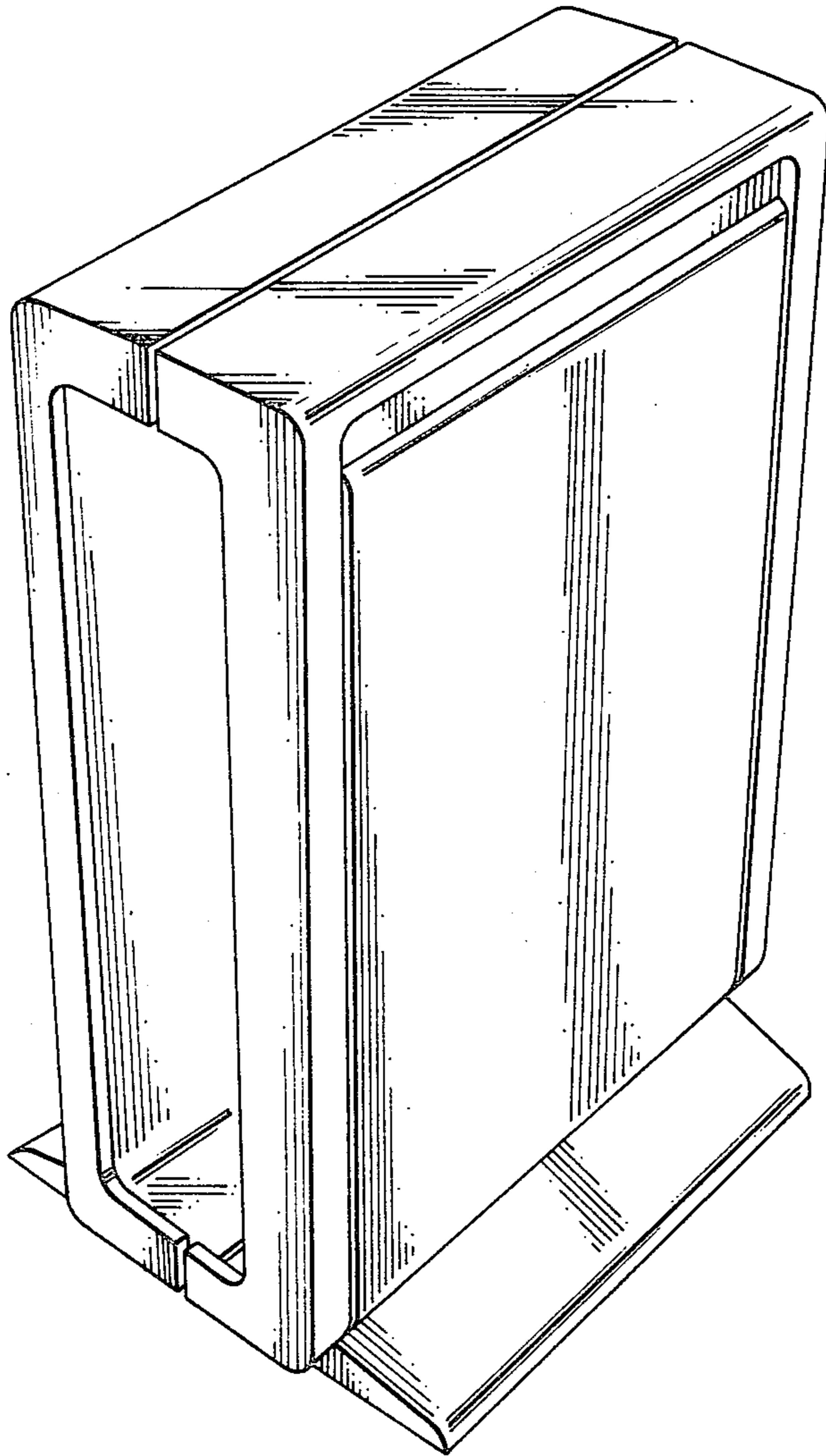


Fig. 1.

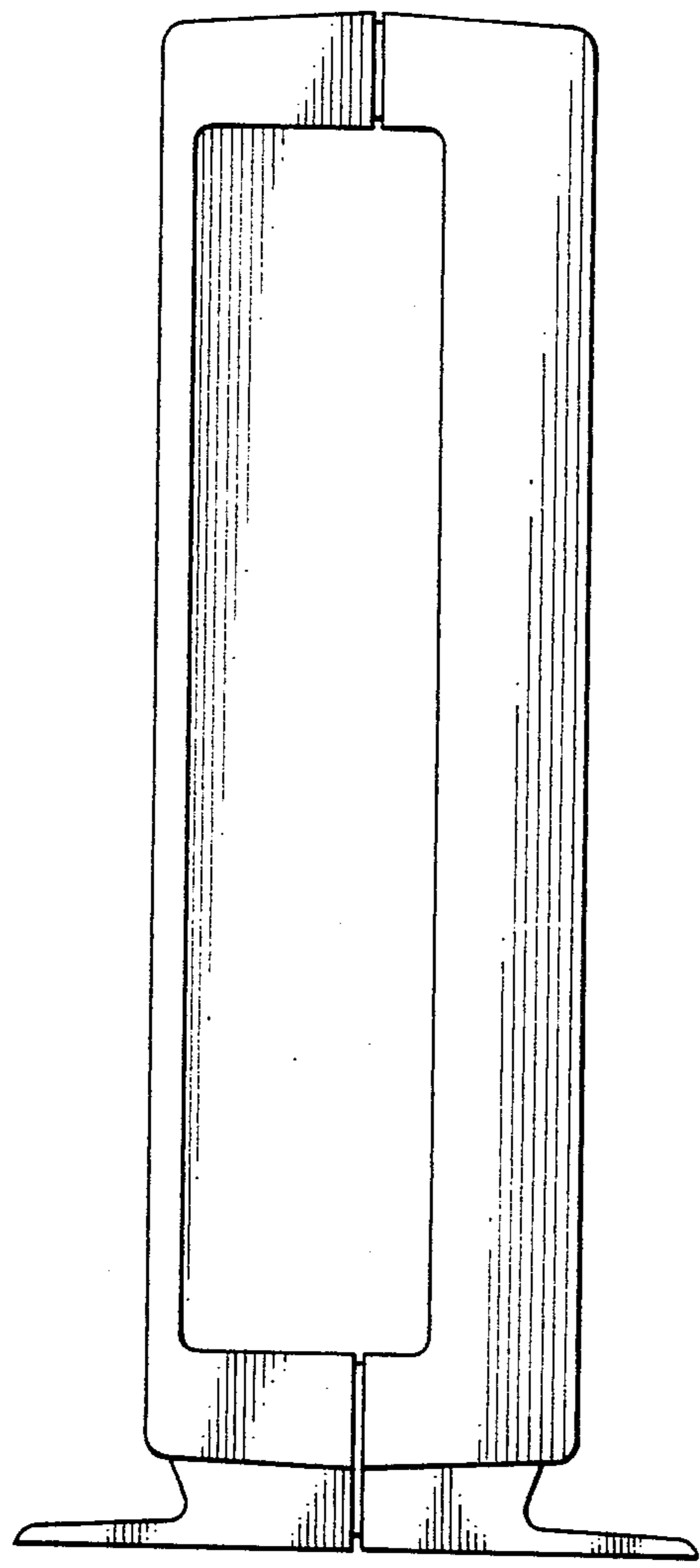


Fig. 2.

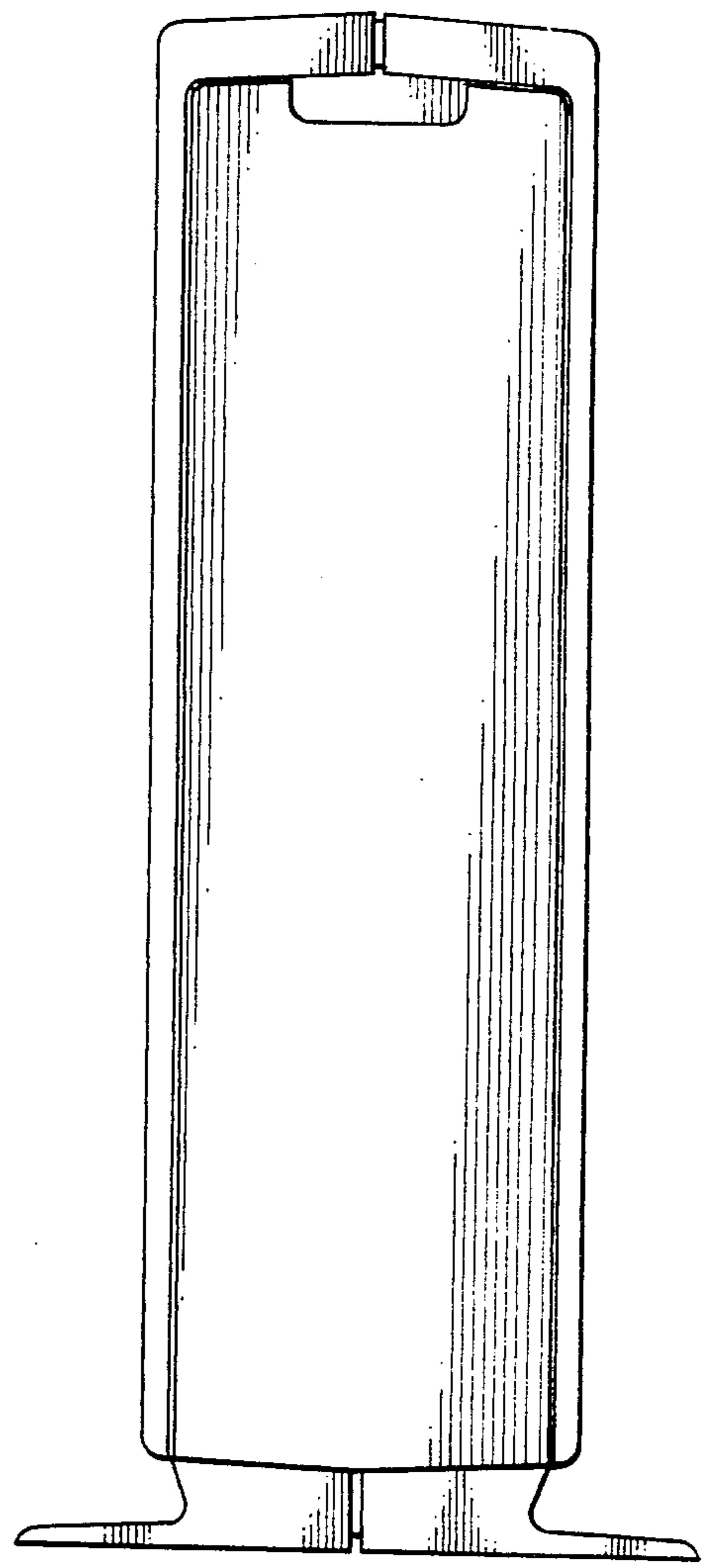


Fig. 3.

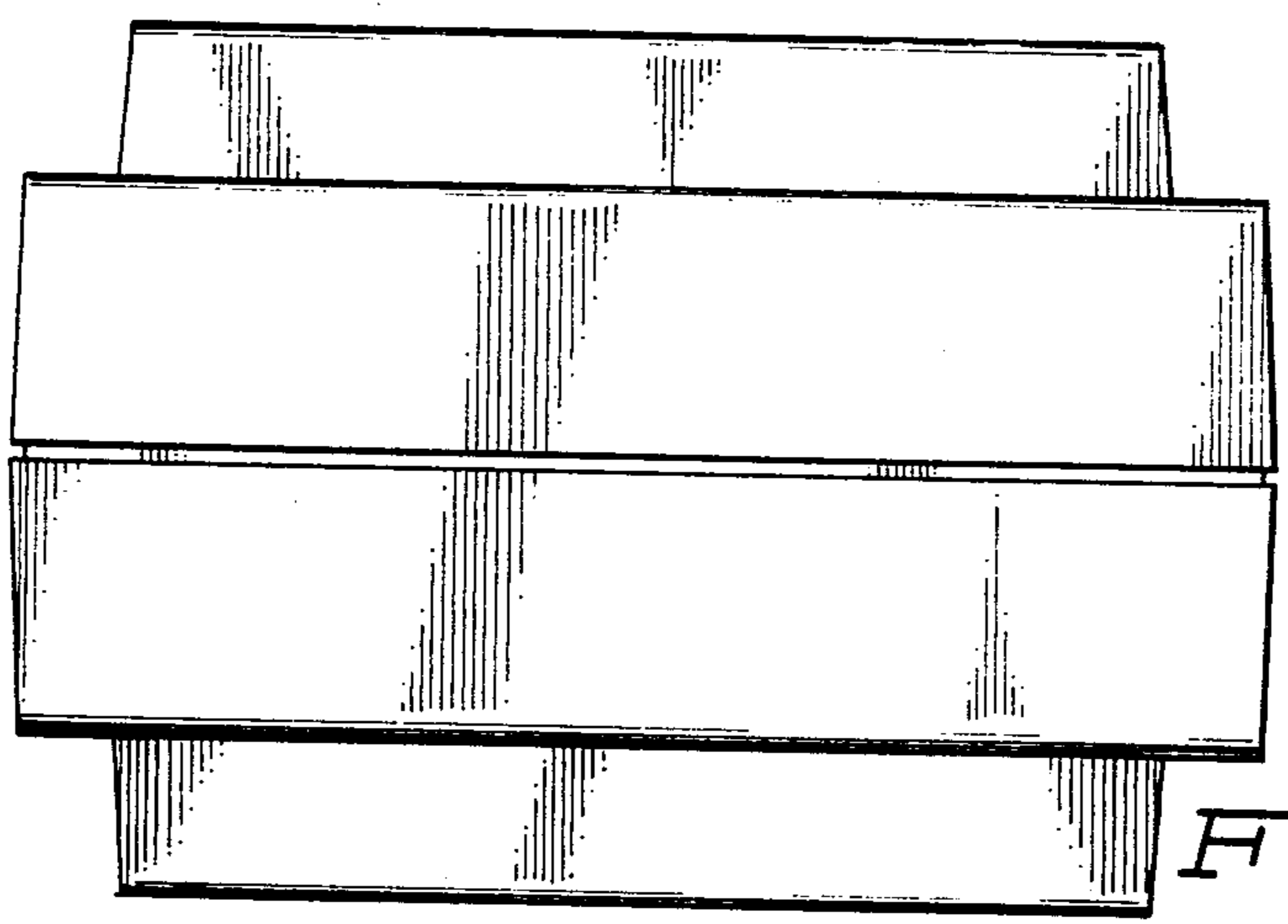


Fig. 4.