

[54] MACHINE FOR SIZING, STACKING AND COUNTING TACO SHELLS

[76] Inventor: William R. England, III, 2401 Stoneleigh, Garland, Tex. 75042

[\*\*] Term: 14 Years

[21] Appl. No.: 546,516

[22] Filed: Oct. 28, 1983

[52] U.S. Cl. .... D10/88; D10/46; D10/97; D15/199; D7/368

[58] Field of Search ..... D10/97 R, 87-94; D7/368 R, 412; 177/50, 52, 25; D15/199 R; 235/98 B; 99/485

[56] References Cited

U.S. PATENT DOCUMENTS

D. 196,320 9/1963 Hohmann ..... D10/88  
D. 239,928 5/1976 Hudson ..... D10/87  
2,619,271 11/1952 McHale ..... 177/52 X

2,858,862 11/1958 Francisco ..... 99/485 X  
4,136,749 1/1979 DiRosa ..... 177/25  
4,363,408 12/1982 O'Brien ..... 177/25 X  
4,376,515 3/1983 S e ..... 99/485 X  
4,398,612 8/1983 Mikami ..... 177/25  
4,456,242 6/1984 Morin ..... D15/199 X  
4,488,610 12/1984 Yanklowski ..... 177/25 X

Primary Examiner—Nelson C. Holtje  
Attorney, Agent, or Firm—Crutsinger, Booth & Ross

[57] CLAIM

The ornamental design for machine for sizing, stacking and counting taco shells, as shown and described.

DESCRIPTION

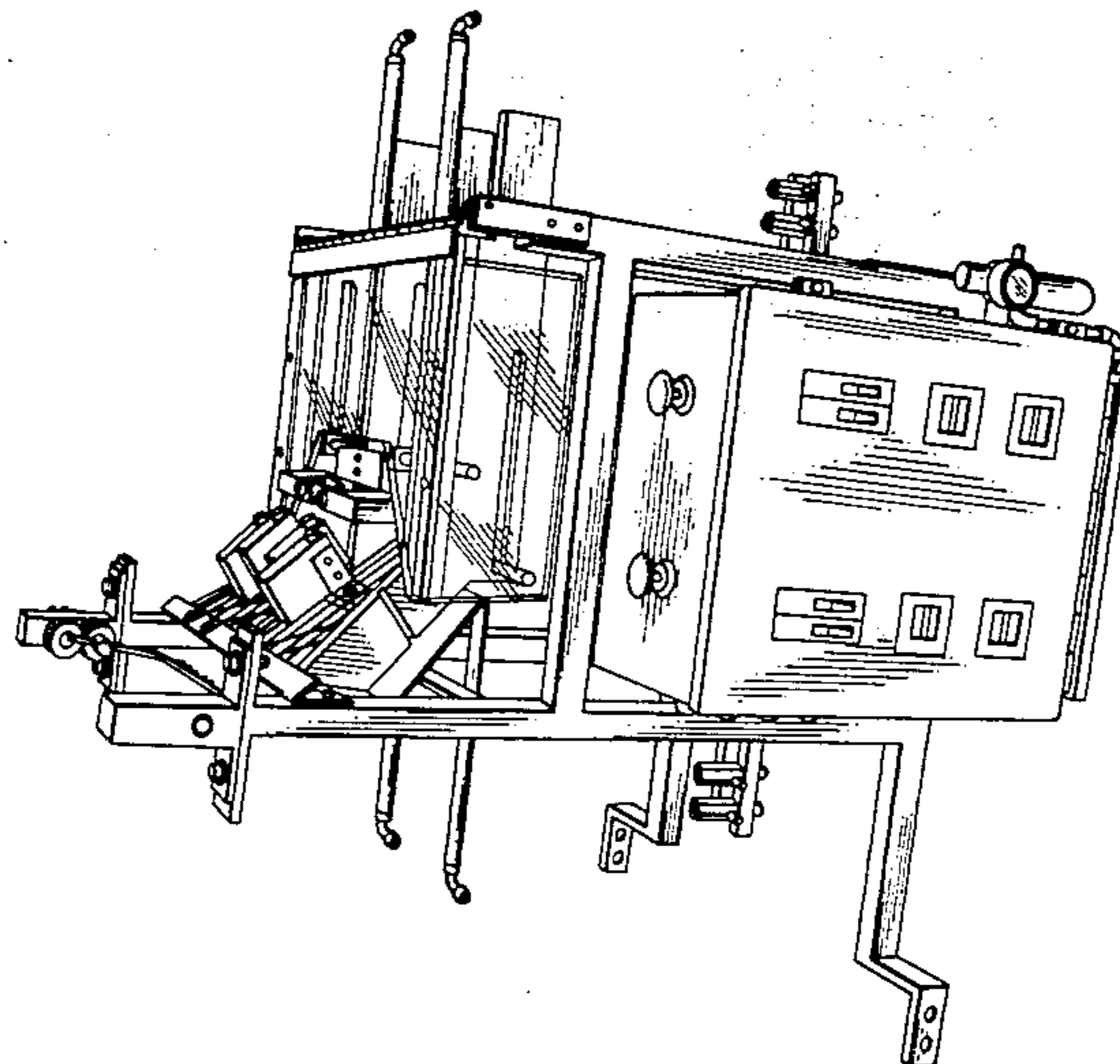
FIG. 1 is a top and left side perspective view of a machine for sizing, stacking and counting taco shells showing my new design;

FIG. 2 is a top and right side perspective view thereof;

FIG. 3 is a top and front perspective view thereof;

FIG. 4 is a rear elevational view thereof;

FIG. 5 is a front elevational view thereof.



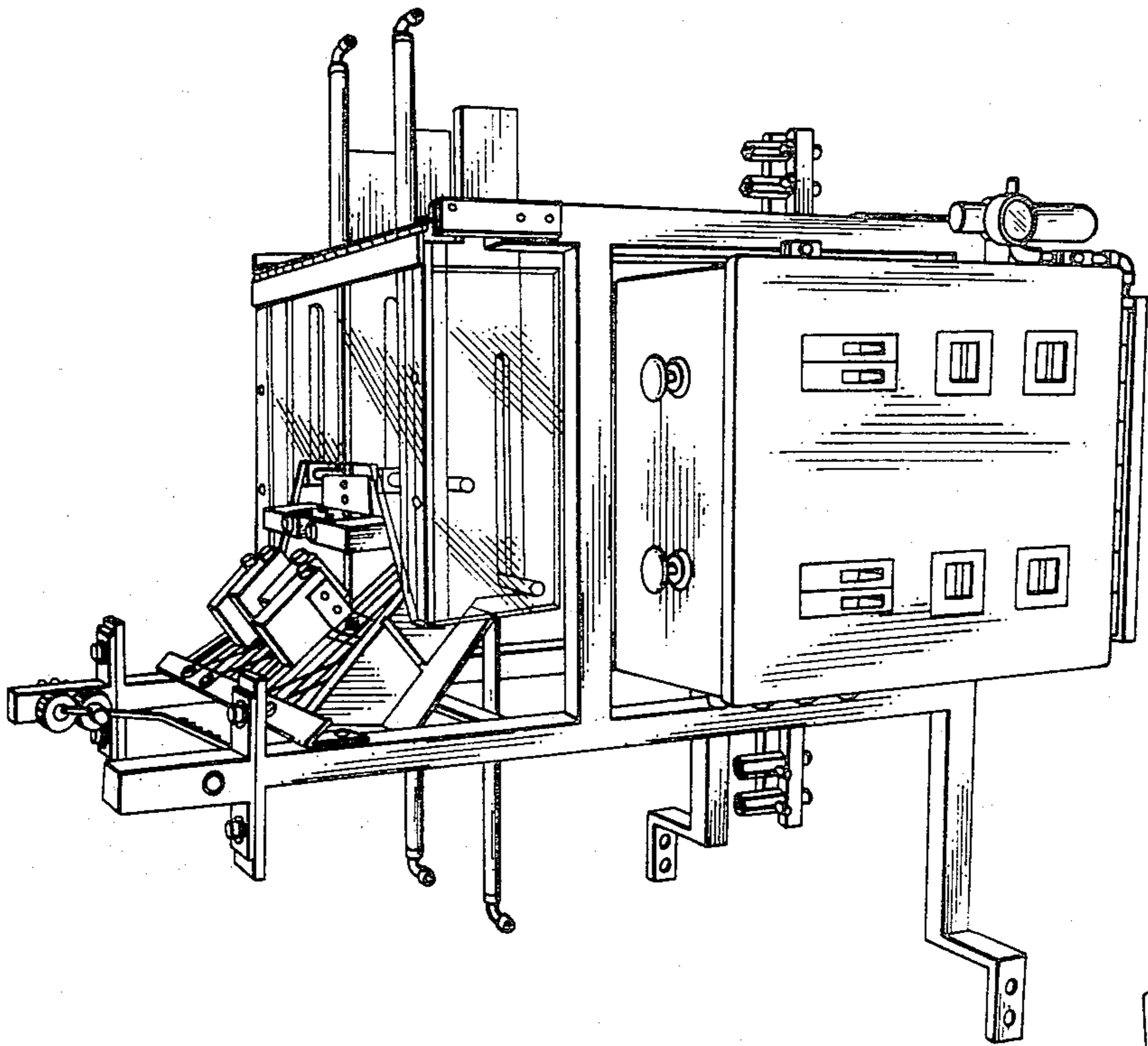


FIG. 2

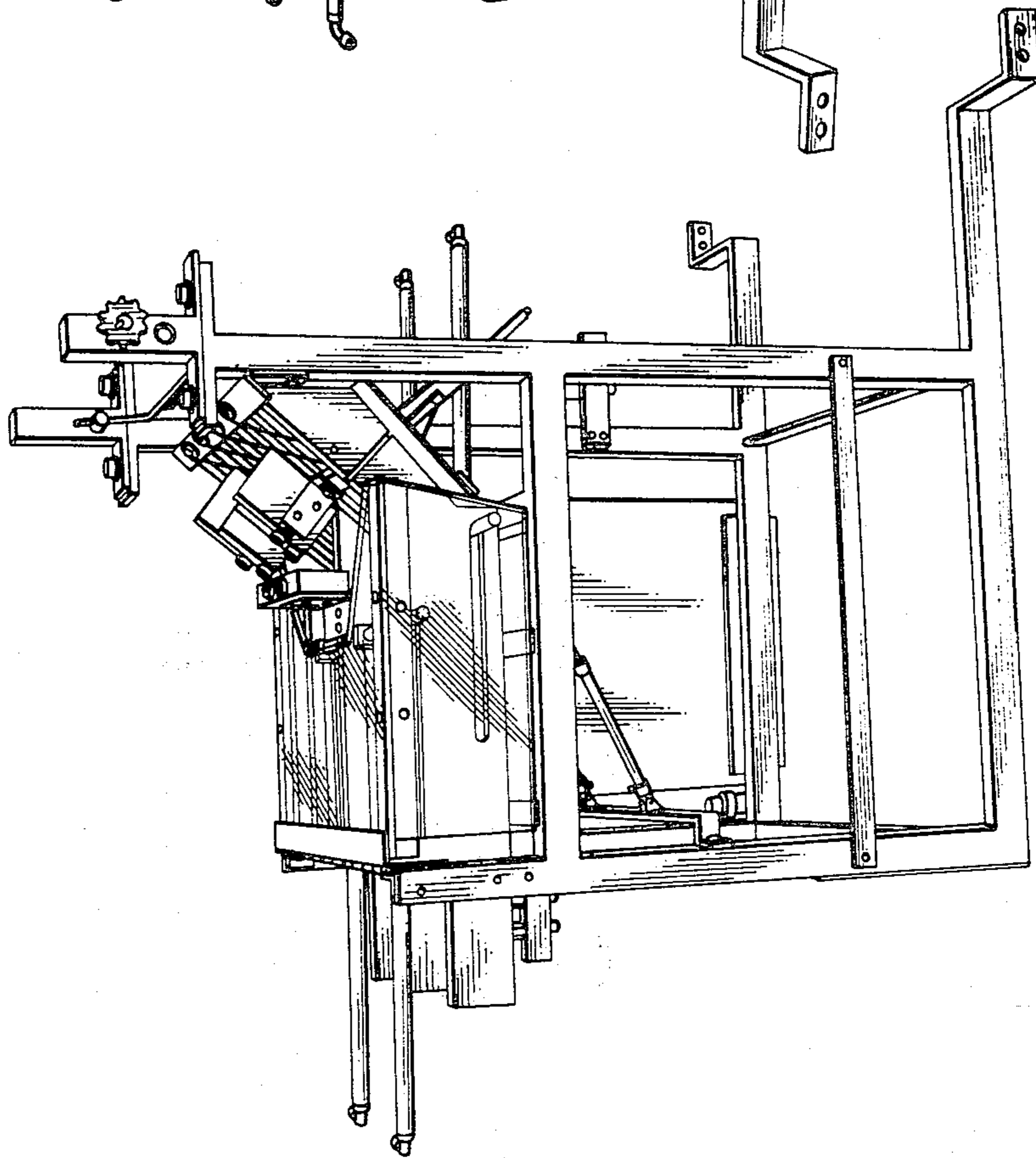


FIG. 1

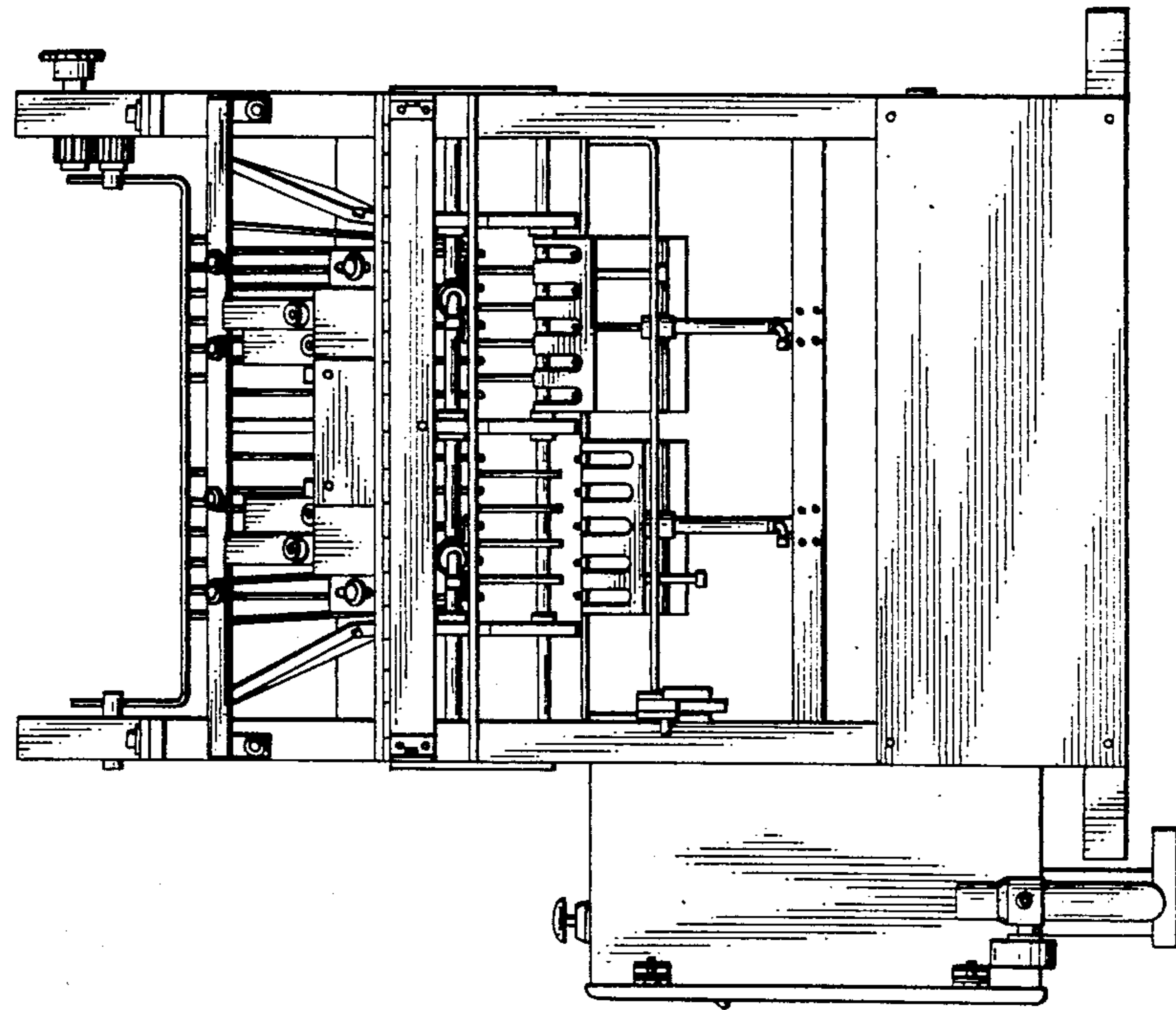


FIG. 4

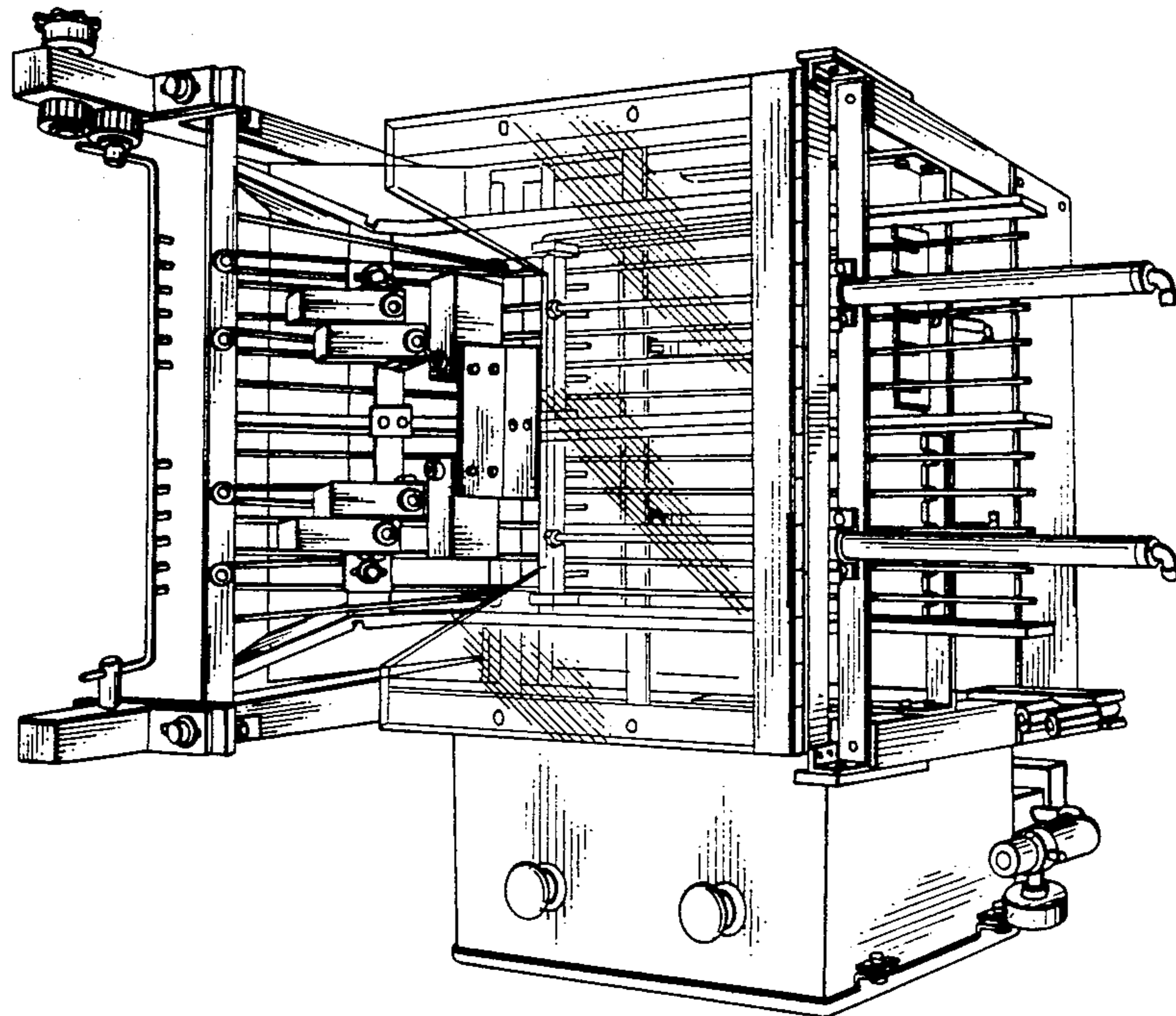


FIG. 3

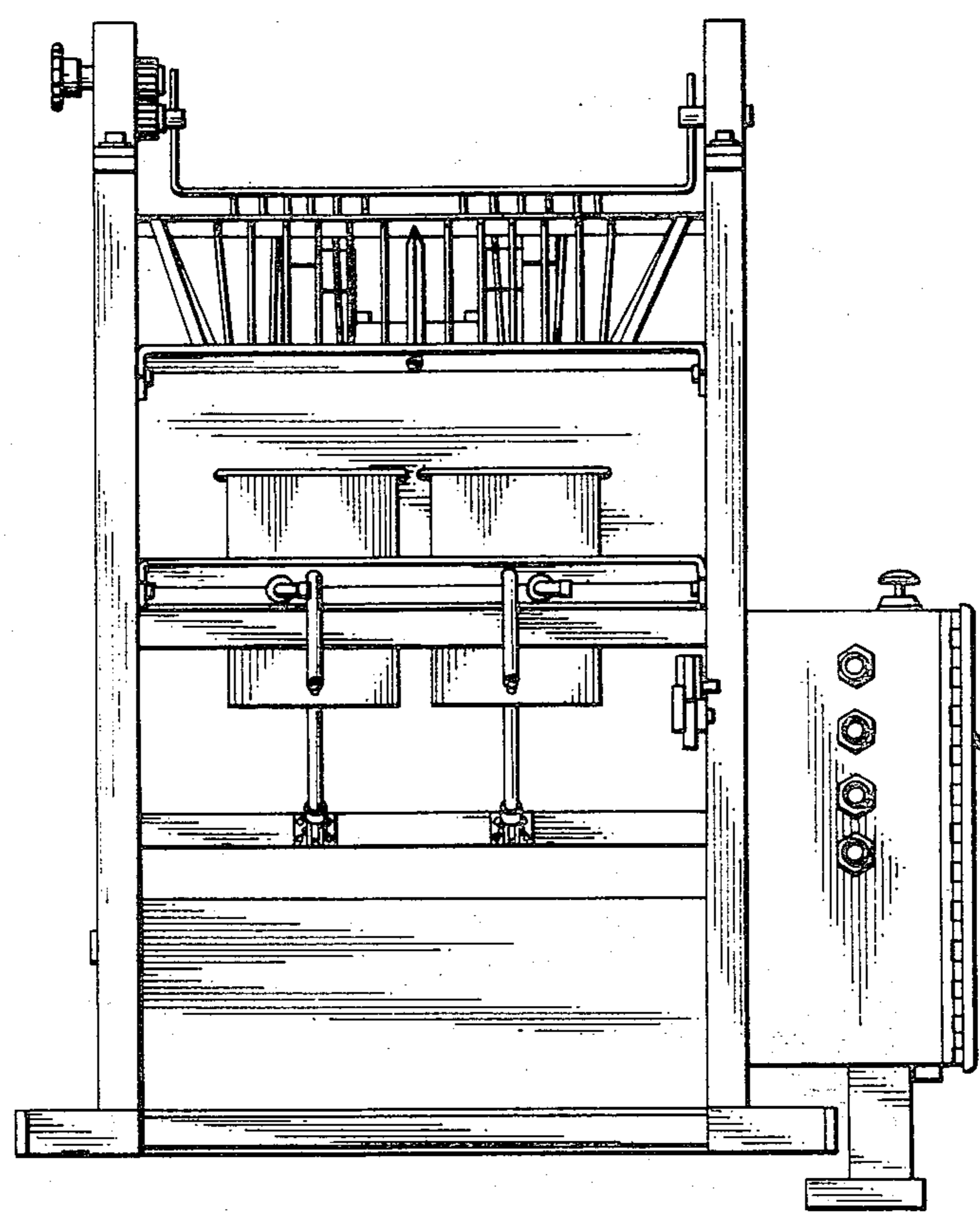


FIG. 5