

United States Patent [19]

Sakamoto et al.

[11] Patent Number: Des. 280,883

[45] Date of Patent: ** Oct. 8, 1985

[54] PORTABLE ELECTRIC DRILL

[75] Inventors: Masakazu Sakamoto, Funabashi;
Teruhisa Numata, Tokyo; Etsushi
Yamamoto, Ibara, all of Japan

[73] Assignee: Ryobi Ltd., Hiroshima, Japan

[**] Term: 14 Years

[21] Appl. No.: 566,850

[22] Filed: Dec. 29, 1983

[30] Foreign Application Priority Data

Jul. 26, 1983 [JP] Japan 58-33086

[52] U.S. Cl. D8/68; D8/61

[58] Field of Search D8/30, 61, 68, 107,
D8/51; 173/163, 169, 170; 81/54, 57.11;
408/124, DIG. 1; 310/50; 222/146 HE;
219/230, 421; 72/391, 453.15

[56] References Cited

U.S. PATENT DOCUMENTS

D. 208,212 8/1967 Averitt D8/68

FOREIGN PATENT DOCUMENTS

3045610 8/1962 Fed. Rep. of Germany 408/124

OTHER PUBLICATIONS

Black & Decker Master Catalog 1969, p. 4, No. 7150
Variable Speed Drill; top of page.
AEG Power Tool Catalog, 1977; No. BE38R Variable
Speed Drill, center of page #13.

Primary Examiner—Susan J. Lucas
Assistant Examiner—C. E. Heflin
Attorney, Agent, or Firm—Sughrue, Mion, Zinn,
Macpeak and Seas

[57] CLAIM

The ornamental design for a portable electric drill, as
shown.

DESCRIPTION

FIG. 1 is a right side elevational view of a portable
electric drill showing our new design;
FIG. 2 is a left side elevational view thereof;
FIG. 3 is a front elevational view thereof;
FIG. 4 is a rear elevational view thereof;
FIG. 5 is a top plan view thereof; and
FIG. 6 is a bottom plan view thereof.

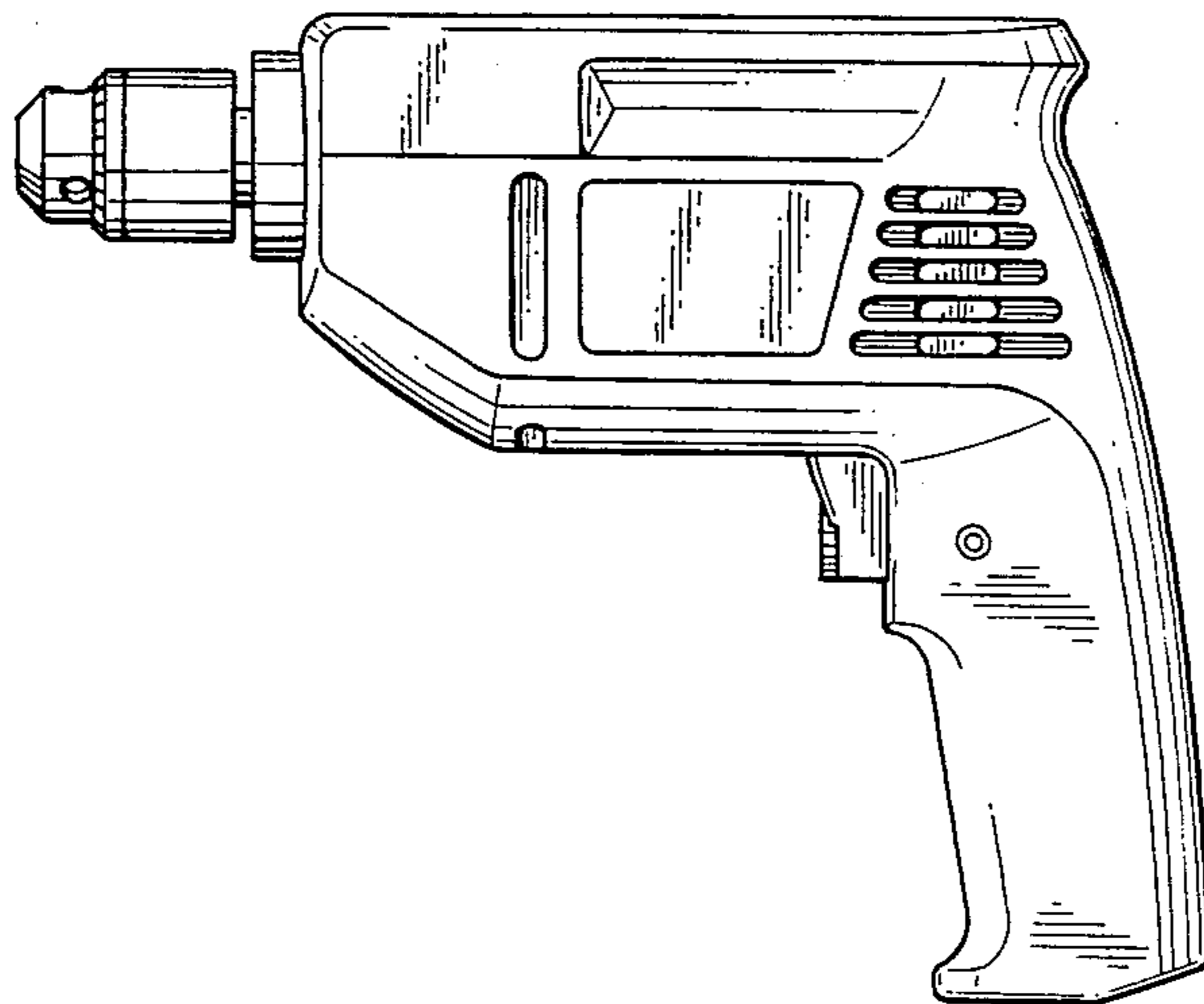


Fig. 1

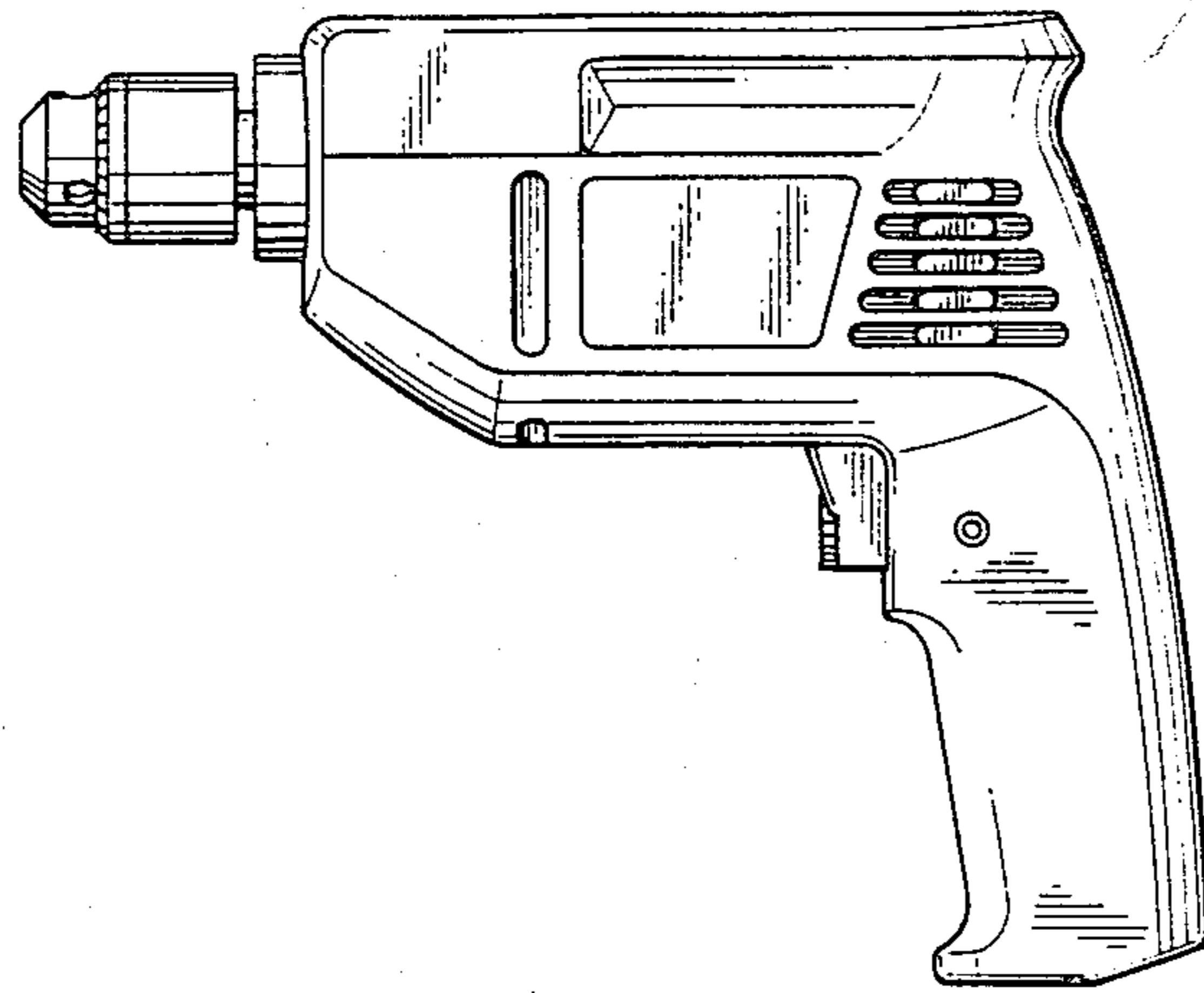


Fig. 2

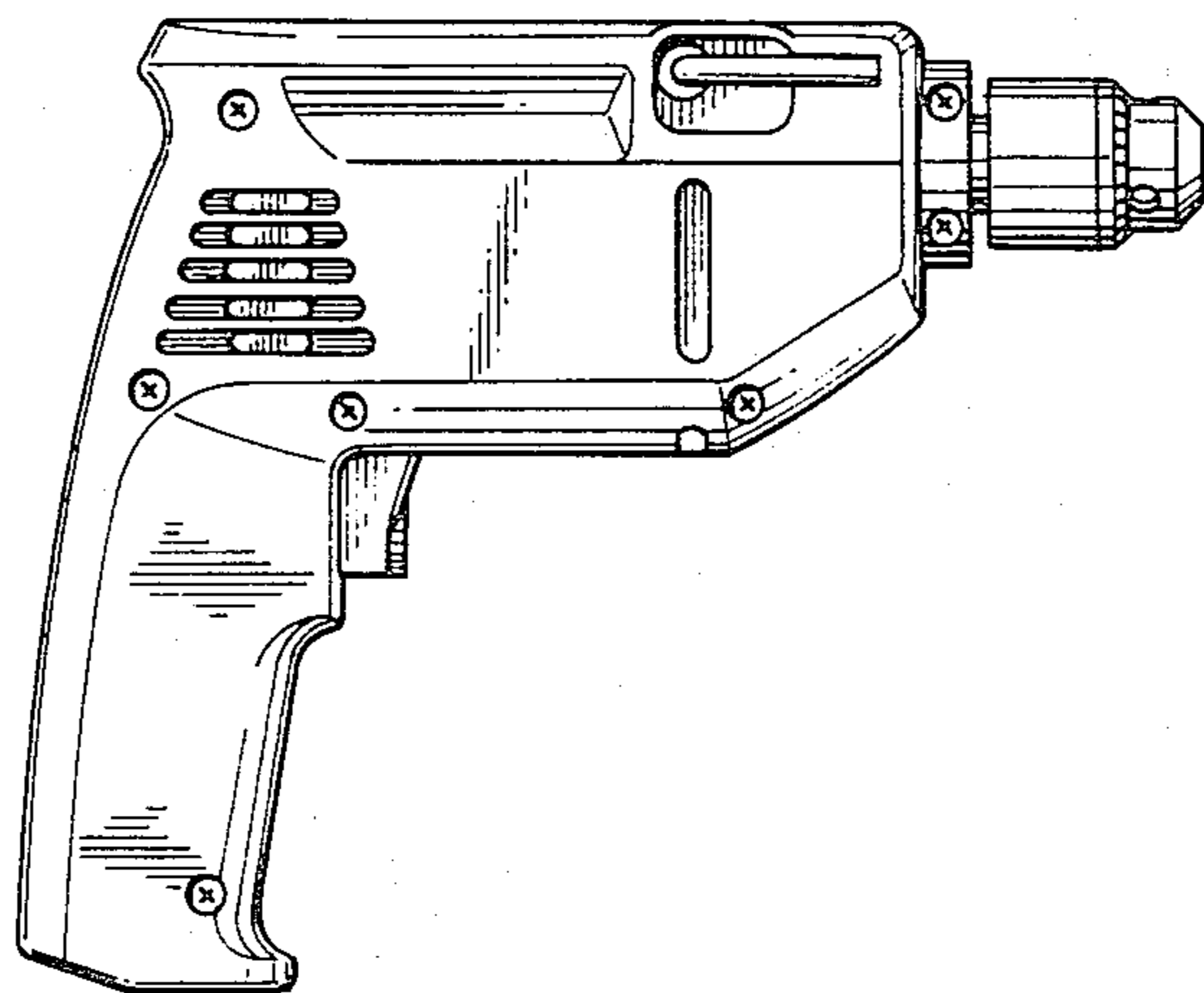


Fig. 3

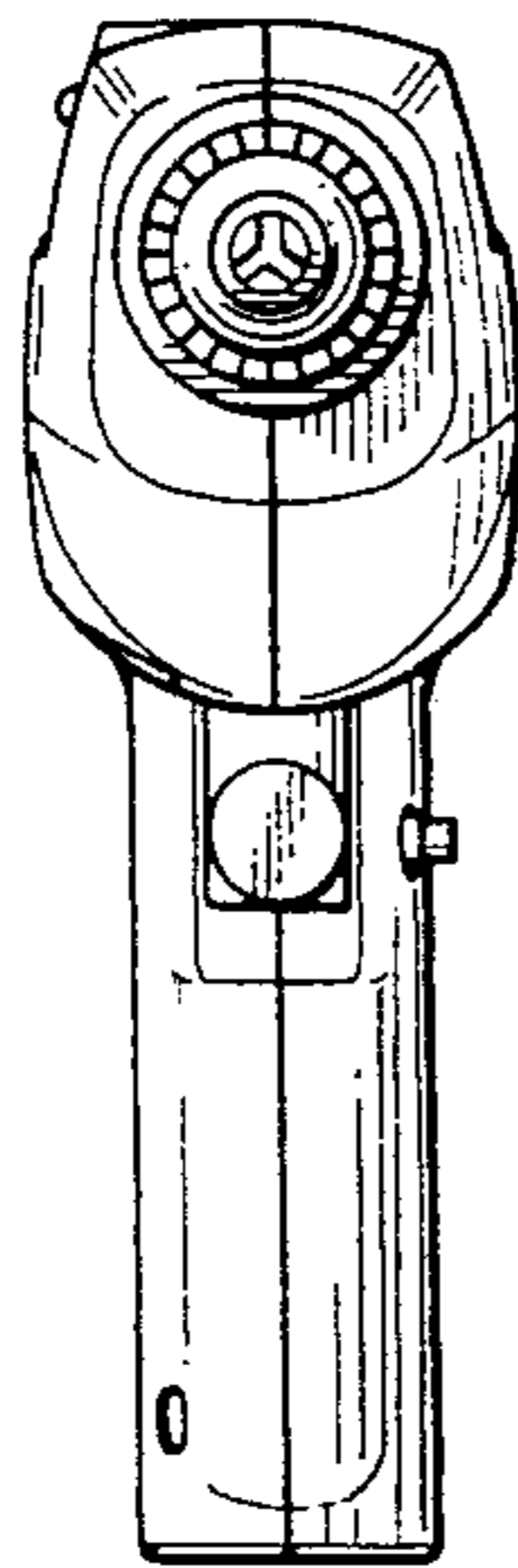


Fig. 4

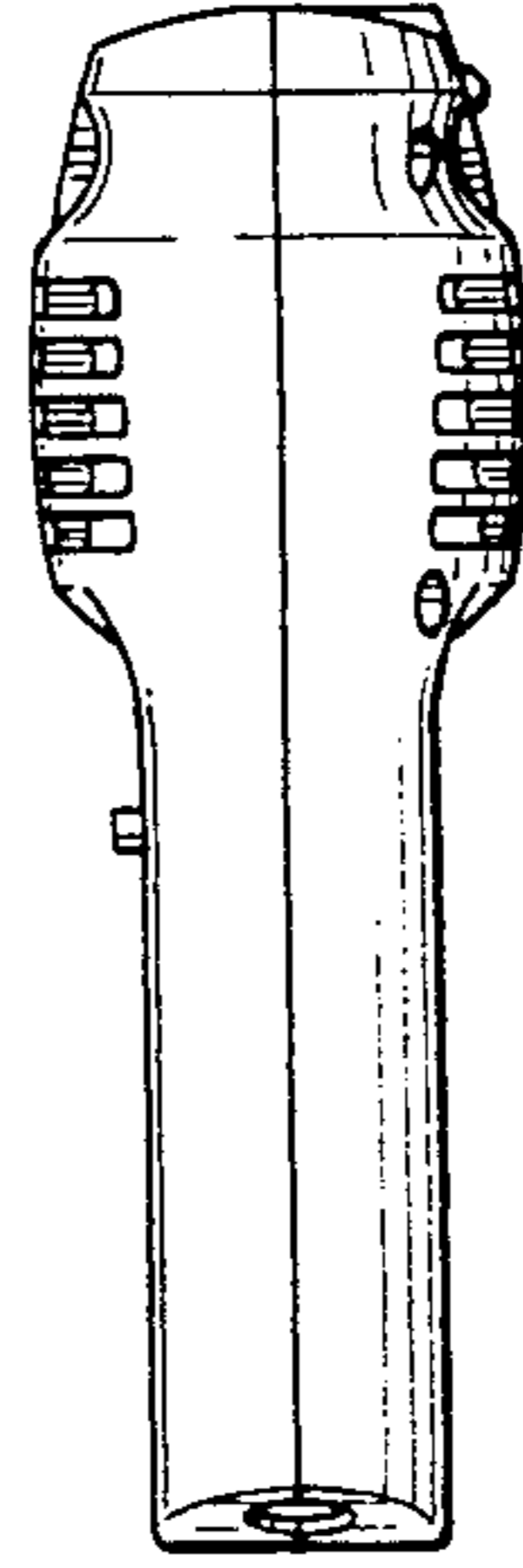


Fig. 5

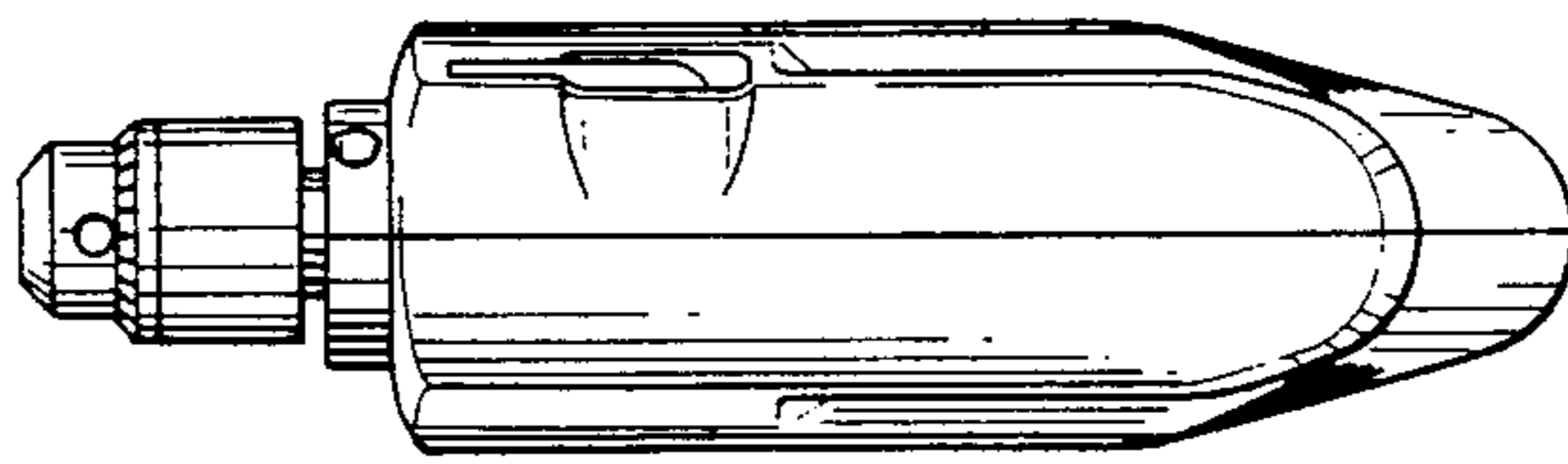


Fig. 6

