

[54] SOLAR CELL ACTIVATED TURNTABLE

[76] Inventors: Anthony Nolles, 100 Saw Mill Rd., North Haledon, N.J. 07508; Wesley A. Le Marr, 79 Hobart Ave., Rutherford, N.J. 07070

[**] Term: 14 Years

[21] Appl. No.: 468,344

[22] Filed: Feb. 22, 1983

[52] U.S. Cl. D8/1; D6/403

[58] Field of Search D11/163; D8/1; D6/403; 47/39, 71; 248/131, 349; 323/906

[56] References Cited

U.S. PATENT DOCUMENTS

D. 249,628 9/1978 Levine D8/1
3,360,885 1/1968 St. Clair 47/39

4,001,959 1/1977 Grendahl 47/39
4,026,067 5/1977 Wengel 248/131
4,117,627 10/1978 Slingerland, Jr. 248/349

Primary Examiner—B. J. Bullock
Attorney, Agent, or Firm—Natter & Natter

[57] CLAIM

The ornamental design for a solar cell activated turntable, as shown.

DESCRIPTION

FIG. 1 is a top plan view of a solar cell activated turntable showing our new design;
FIG. 2 is a front elevational view thereof;
FIG. 3 is a side elevational view thereof;
FIG. 4 is a rear elevational view thereof;
FIG. 5 is a reduced bottom plan view thereof;
FIG. 6 is a perspective view thereof with the solar cell in a remote operational mode.

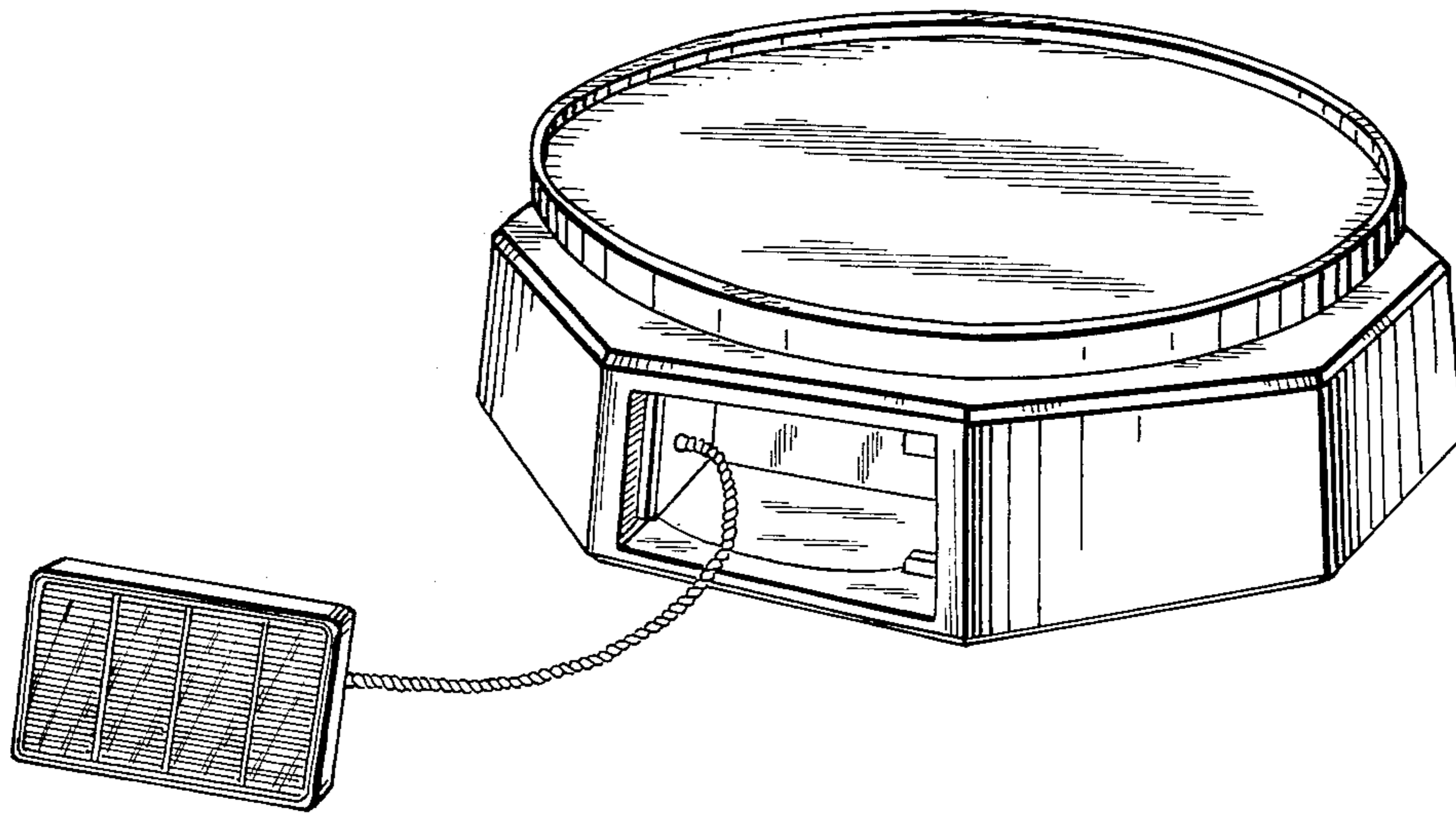


FIG. 1

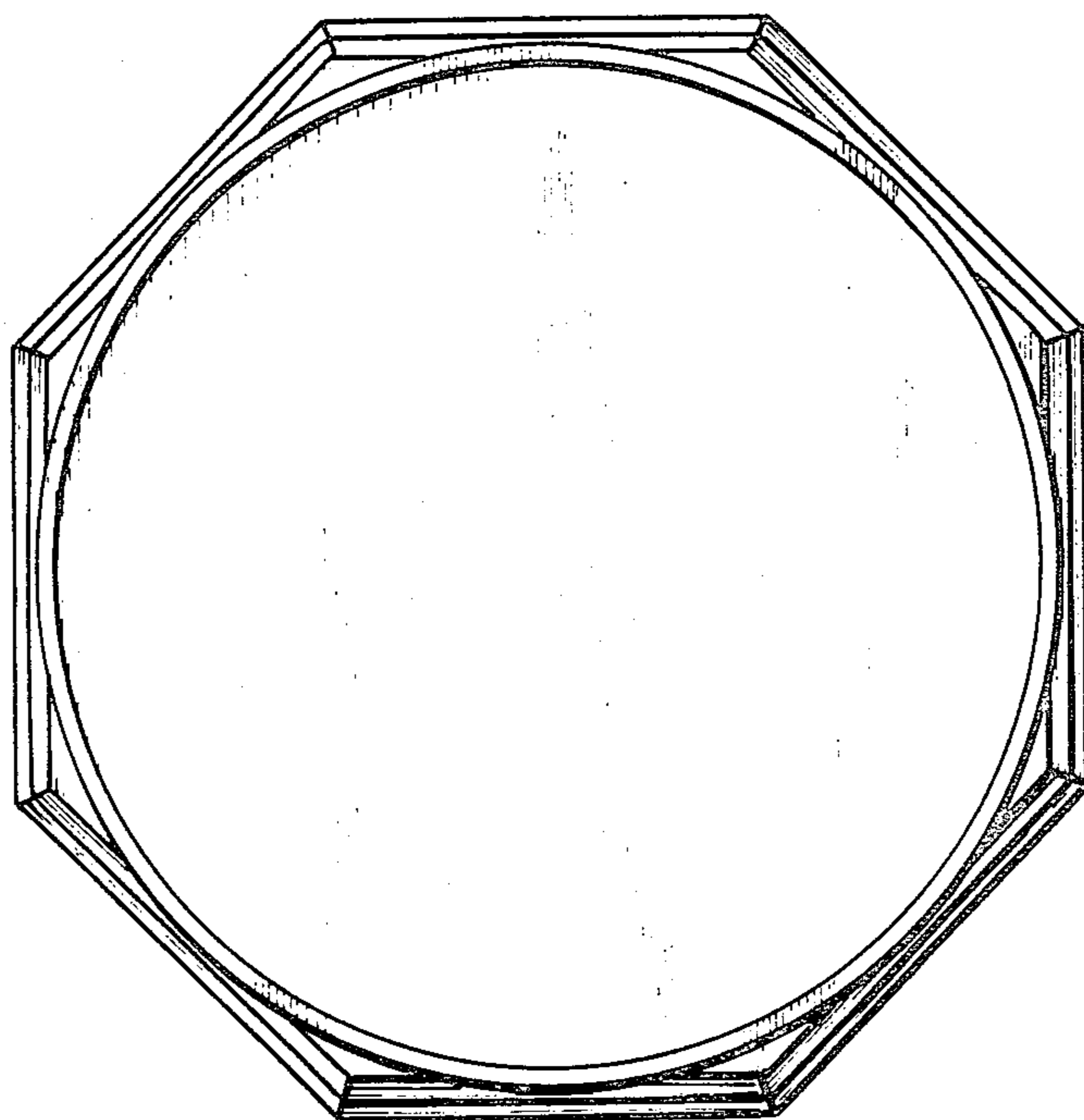


FIG. 2

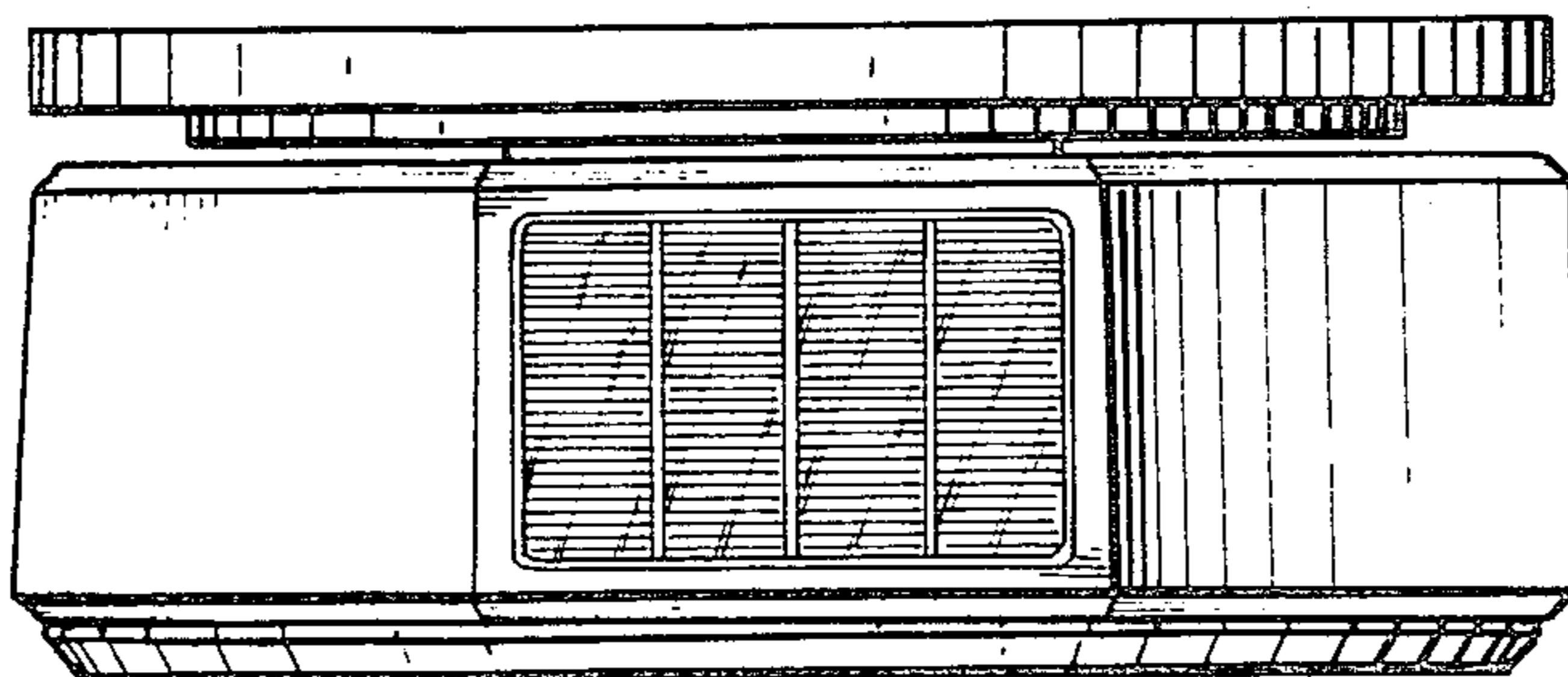
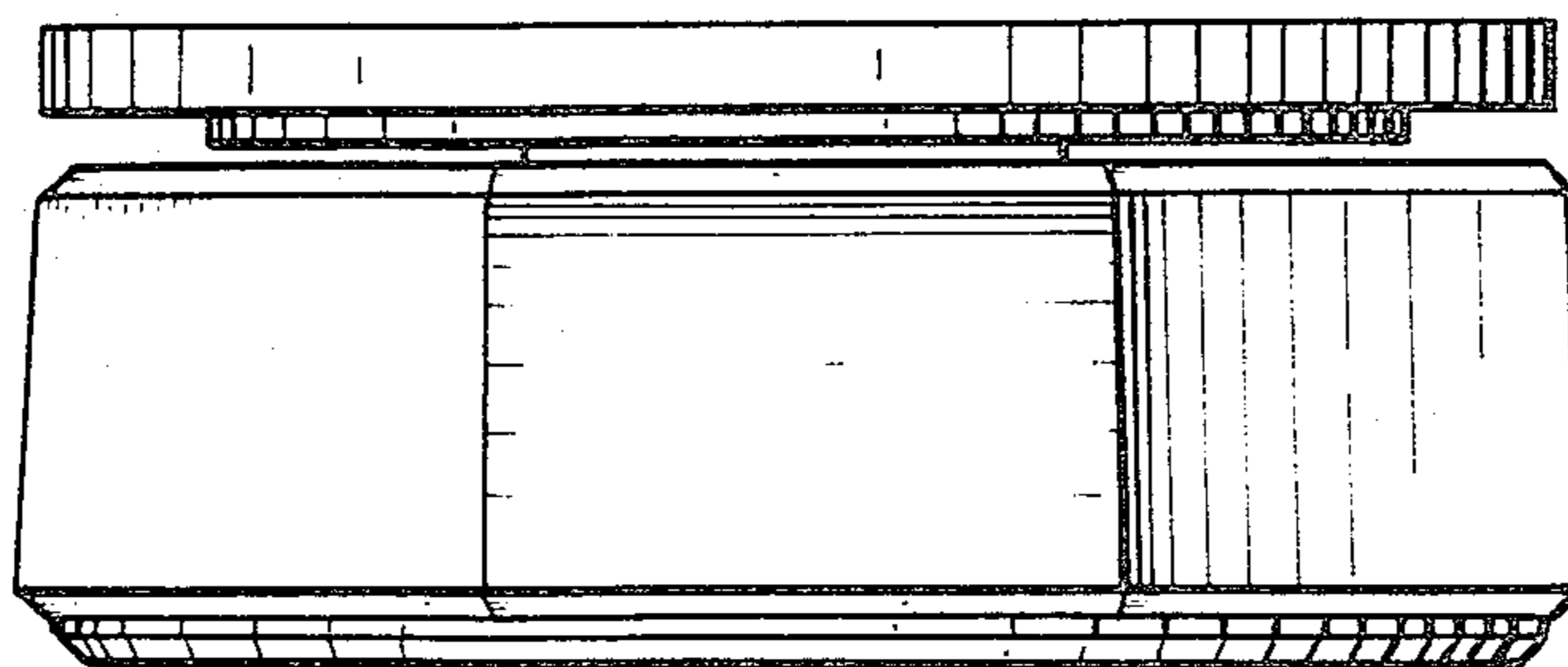


FIG. 3



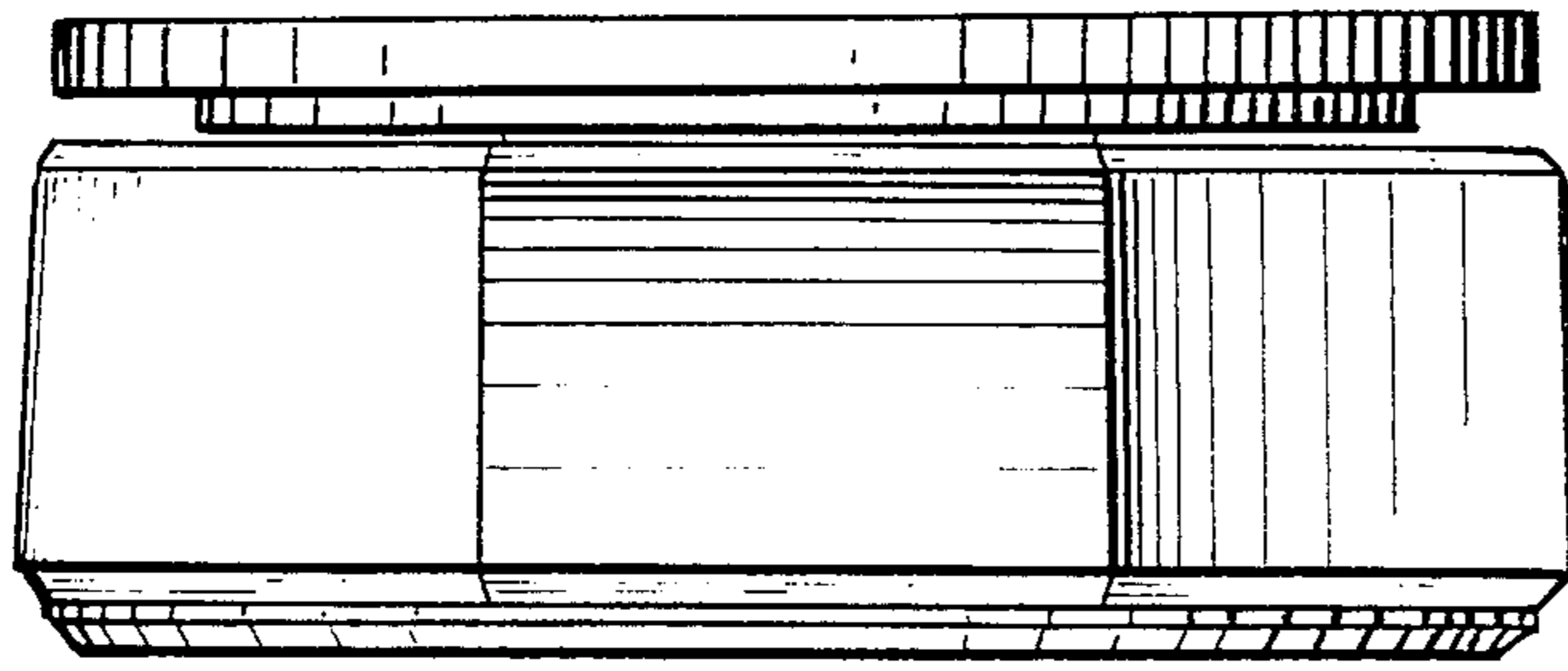


FIG. 4

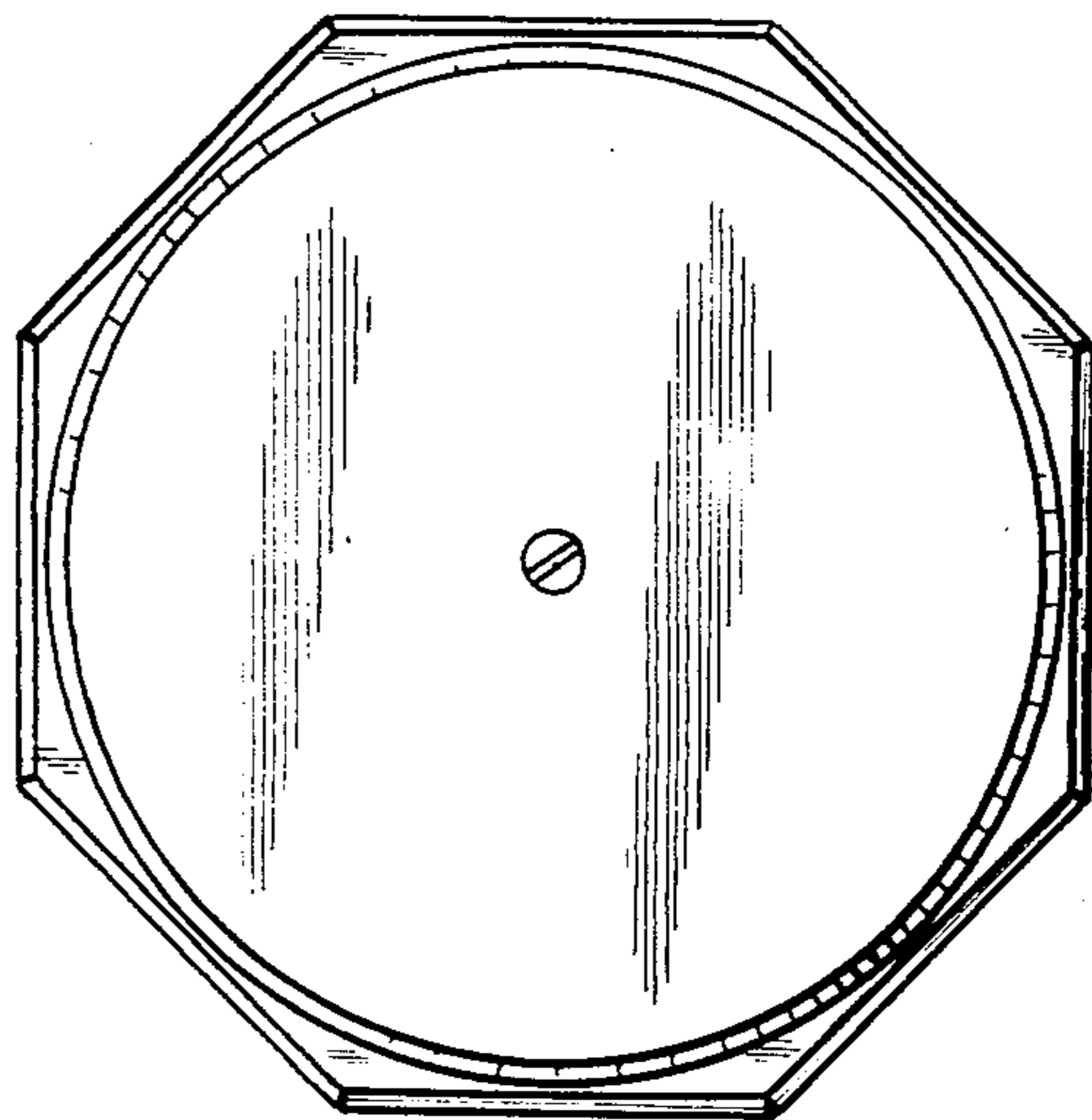


FIG. 5

FIG. 6

