

[54] **BEVERAGE DISPENSING VALVE**

[75] **Inventor: Josef Schweres, Langenfeld, Fed. Rep. of Germany**

[73] **Assignee: IMI Cornelius, Limited, Warwickshire, England**

[**] **Term: 14 Years**

[21] **Appl. No.: 435,865**

[22] **Filed: Oct. 21, 1982**

[30] **Foreign Application Priority Data**

Apr. 3, 1982 [GB] United Kingdom 1005983

[52] **U.S. Cl. D7/398**

[58] **Field of Search D7/398, 397, 307, 308, D7/313, 393, 395, 306, 300; 222/129.1, 575, 571**

[56] **References Cited**

U.S. PATENT DOCUMENTS

D. 128,643	8/1941	Rosander	D7/398
D. 154,879	8/1949	Rosander et al.	D7/398
D. 203,963	3/1966	Frank	D7/306

Primary Examiner—Bernard Ansher
Assistant Examiner—Theodore M. Shooman
Attorney, Agent, or Firm—Henry C. Kovar

[57] **CLAIM**

The ornamental design for a beverage dispensing valve, substantially as shown and described.

DESCRIPTION

FIG. 1 is a perspective view looking downward at the right side of a beverage dispensing valve showing my new design;

FIG. 2 is a perspective view looking upward at the right side of said dispensing valve of FIG. 1;

FIG. 3 is a front elevational view of the dispensing valve of FIG. 1; and

FIG. 4 is an elevational view of the left side of the dispensing valve of FIG. 1.

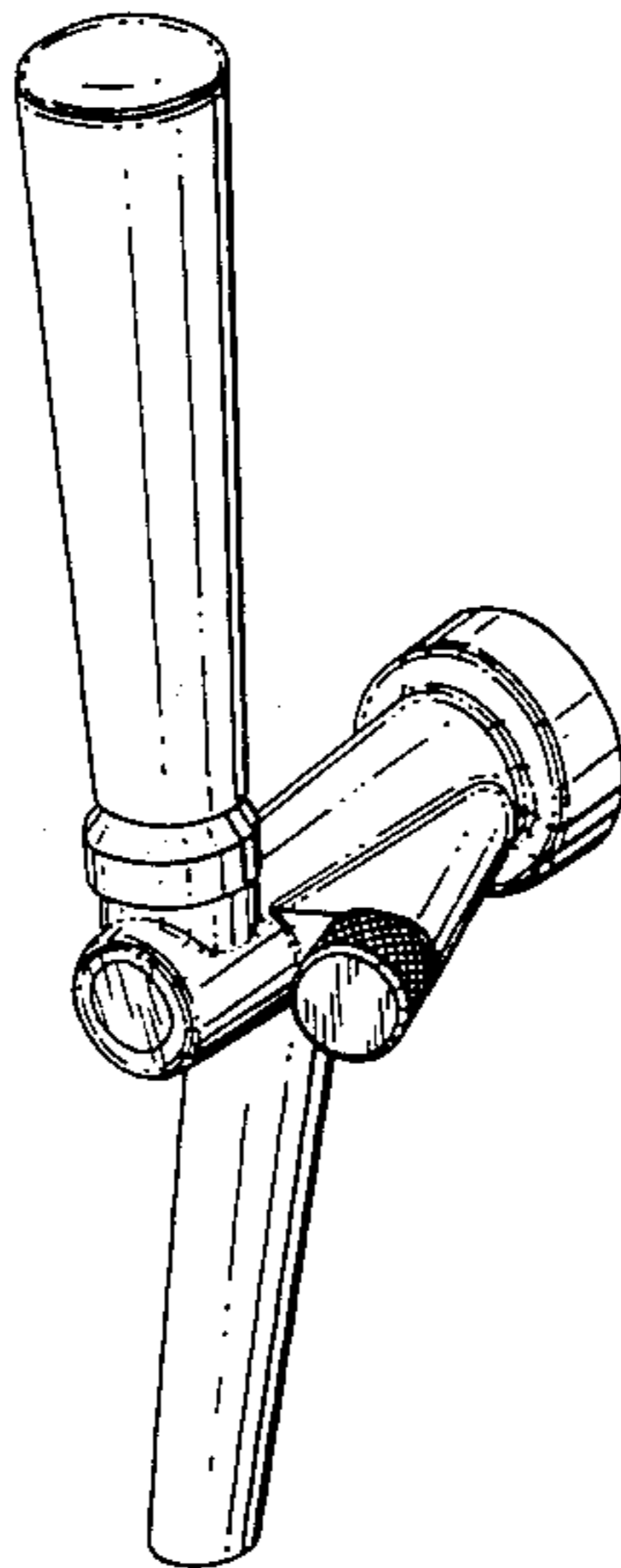


FIG. 1

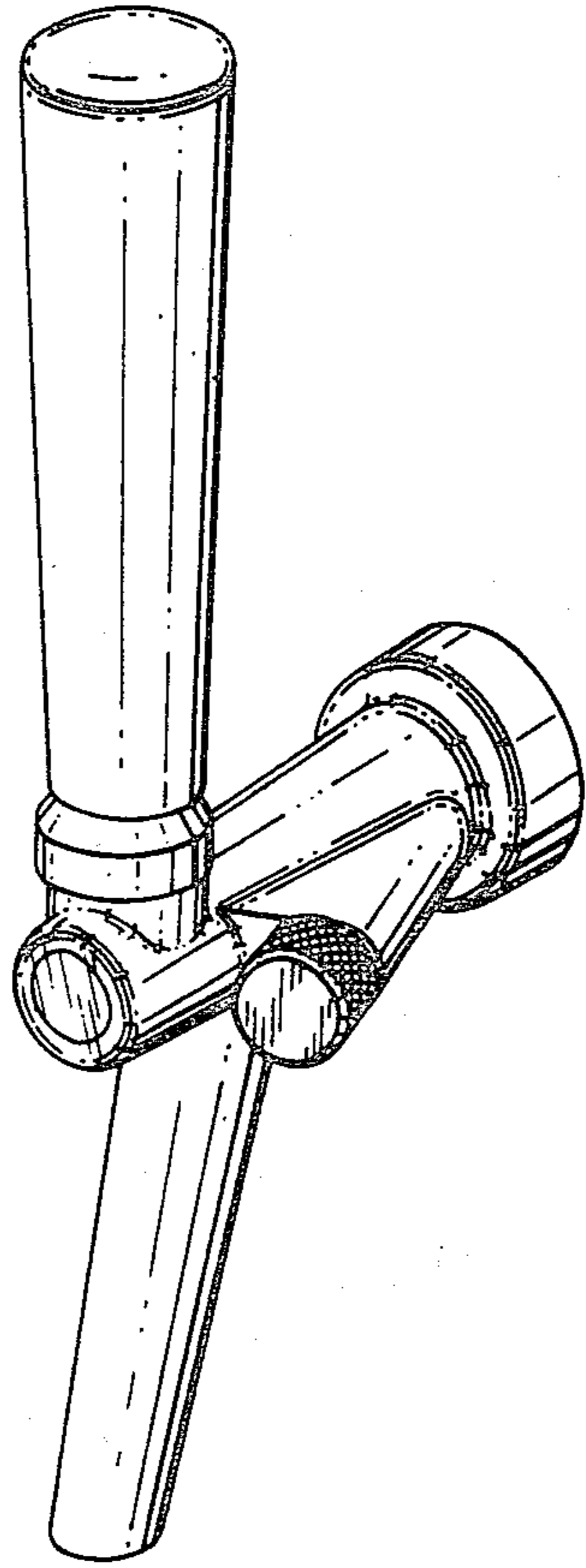
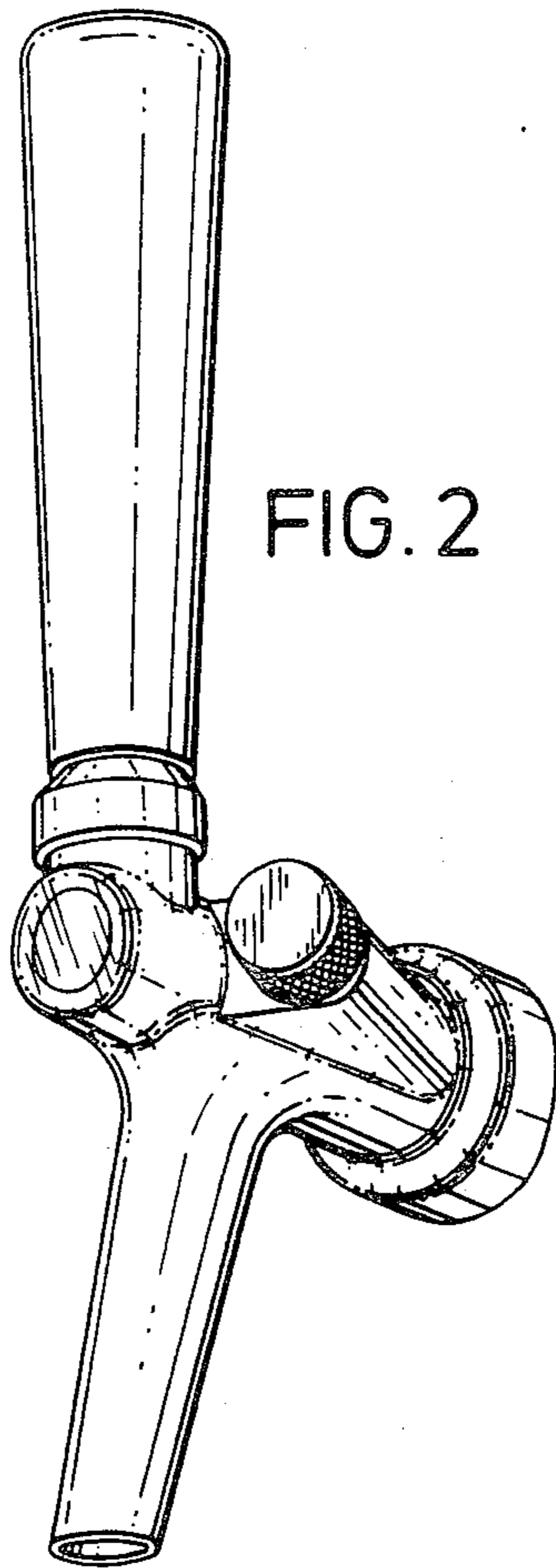


FIG. 2



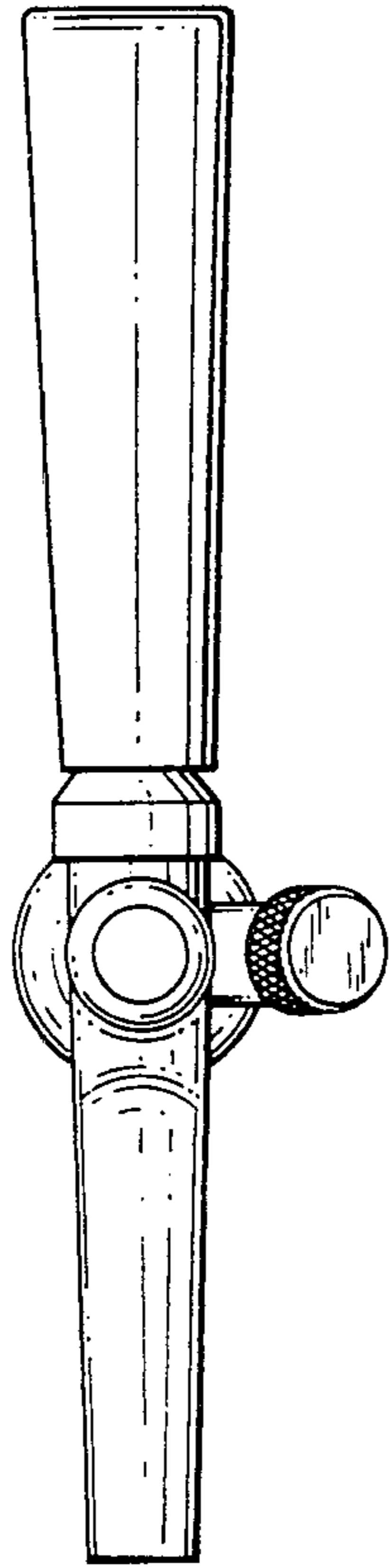


FIG. 3

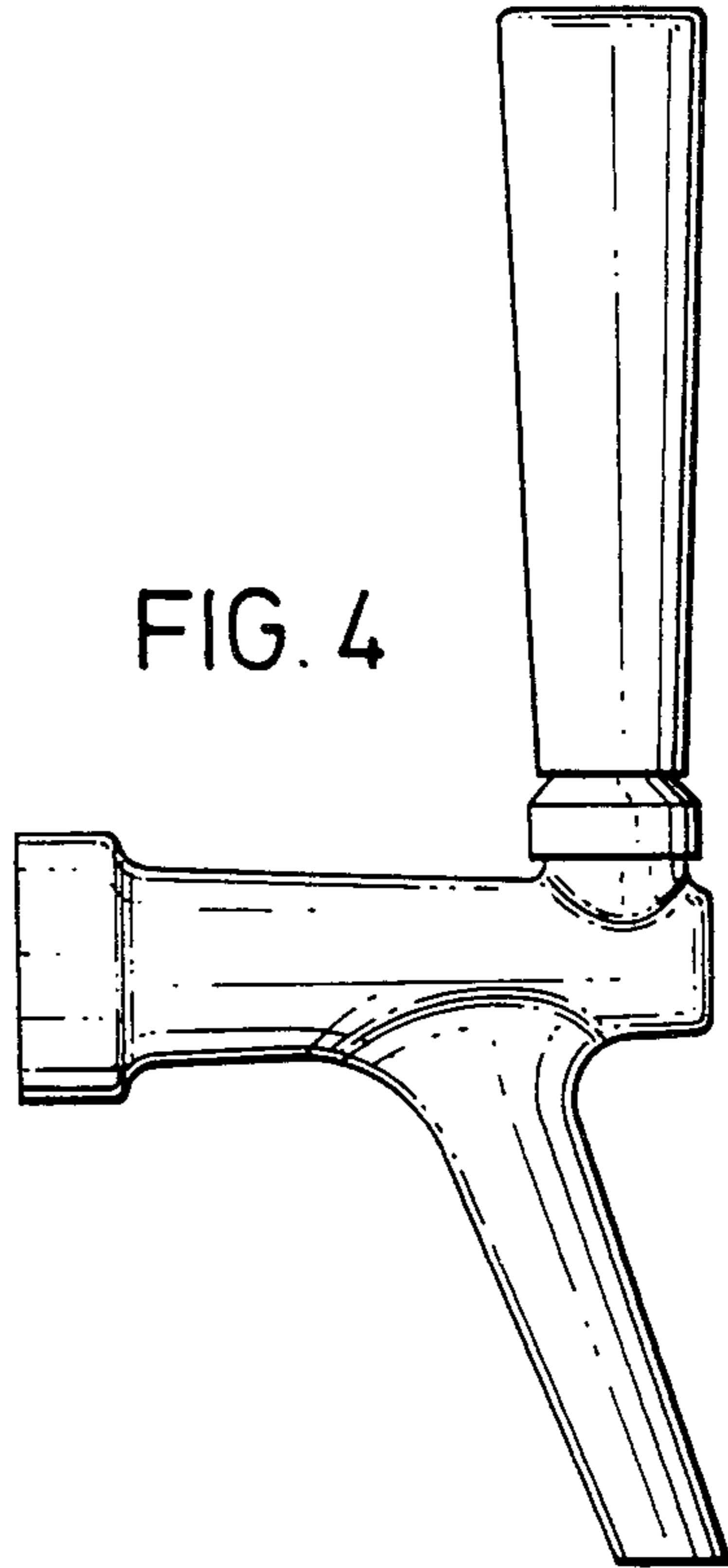


FIG. 4