

[54] **DRAPERY MODULE UNIT FOR DOORS,
WINDOWS AND THE LIKE**

[75] **Inventor: Lyman N. Fairbanks, Arlington, Va.**

[73] **Assignee: Custom Shade and Awning
Corporation, Alexandria, Va.**

[**] **Term: 14 Years**

[21] **Appl. No.: 483,937**

[22] **Filed: Apr. 11, 1983**

[52] **U.S. Cl. D6/575**

[58] **Field of Search D6/575, 579, 580;
D92/1 PP, 1 AB; 160/84 R, 186, 187, 330, 388,
389, 166 R, 327**

[56] **References Cited**

U.S. PATENT DOCUMENTS

1,752,610 4/1930 McSpadden 160/84 R
4,342,356 8/1982 Sickels et al. 160/327 X

4,391,865 7/1983 Constance 160/330 X

Primary Examiner—Bernard Ansher

Assistant Examiner—Theodore M. Shooman

Attorney, Agent, or Firm—Mason, Fenwick & Lawrence

[57] **CLAIM**

The ornamental design for a drapery module unit for doors, windows and the like as shown and described.

DESCRIPTION

FIG. 1 is a front perspective view of a drapery module unit for doors, windows, and the like showing my new design, wherein the drapery module unit is fragmentally shown and broken away to show indeterminate length; FIG. 2 is a front perspective view thereof, showing the same in retracted condition; FIG. 3 is a rear elevational view thereof, showing a portion of the same for compactness of illustration; FIG. 4 is a top plan view of FIG. 3; and FIG. 5 is a top plan view of FIG. 3, showing the same in retracted condition.

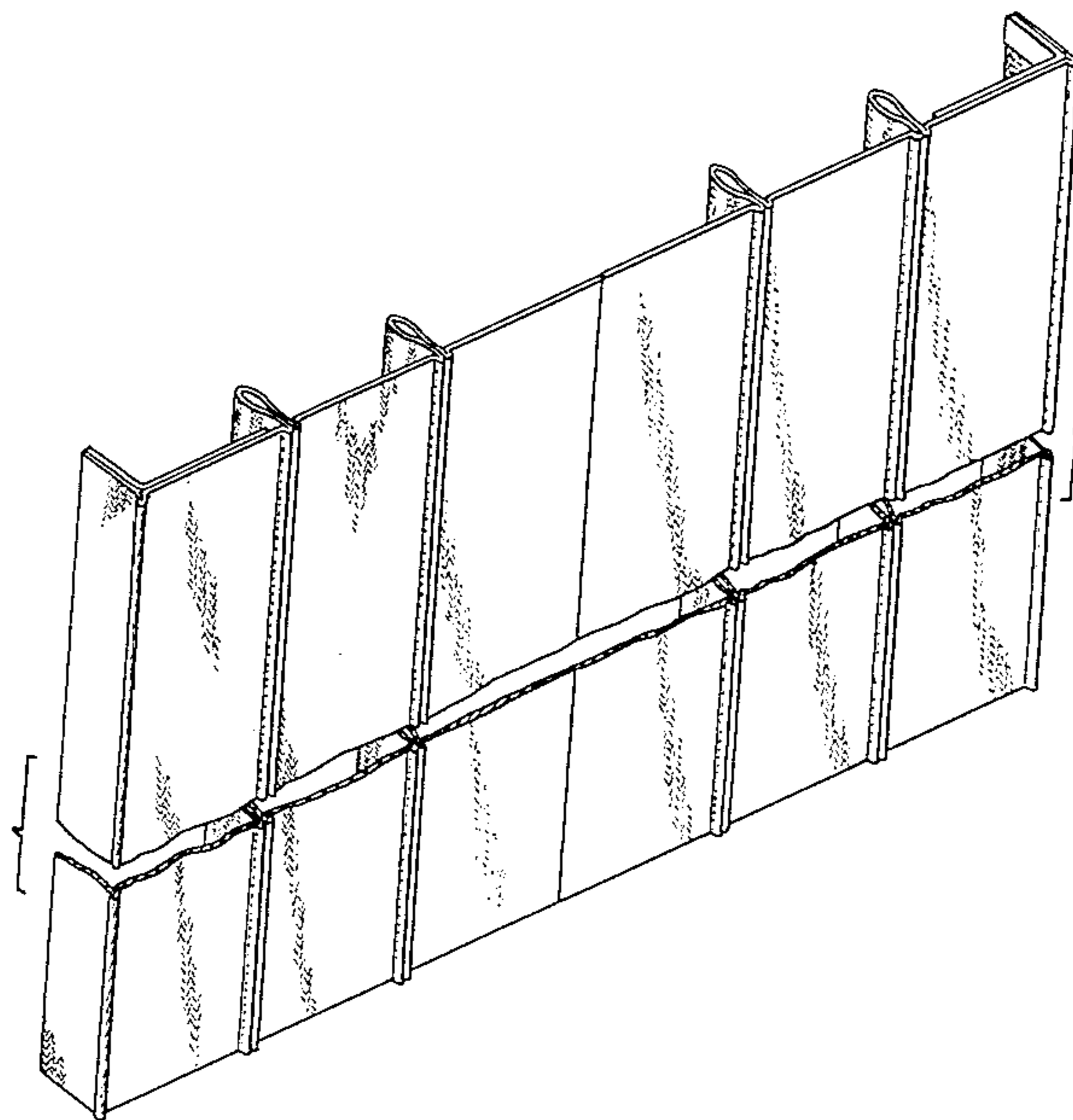


Fig-1

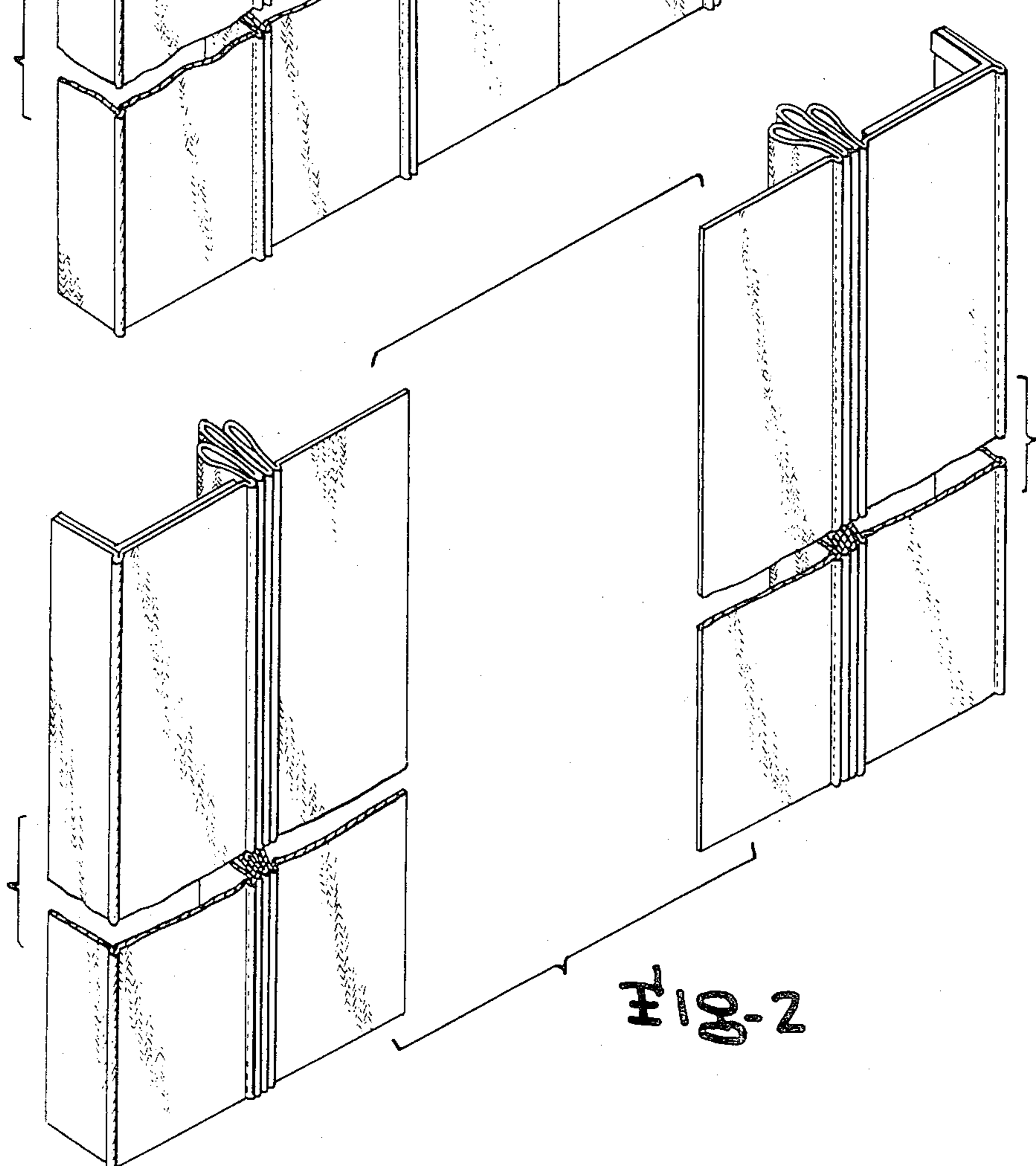
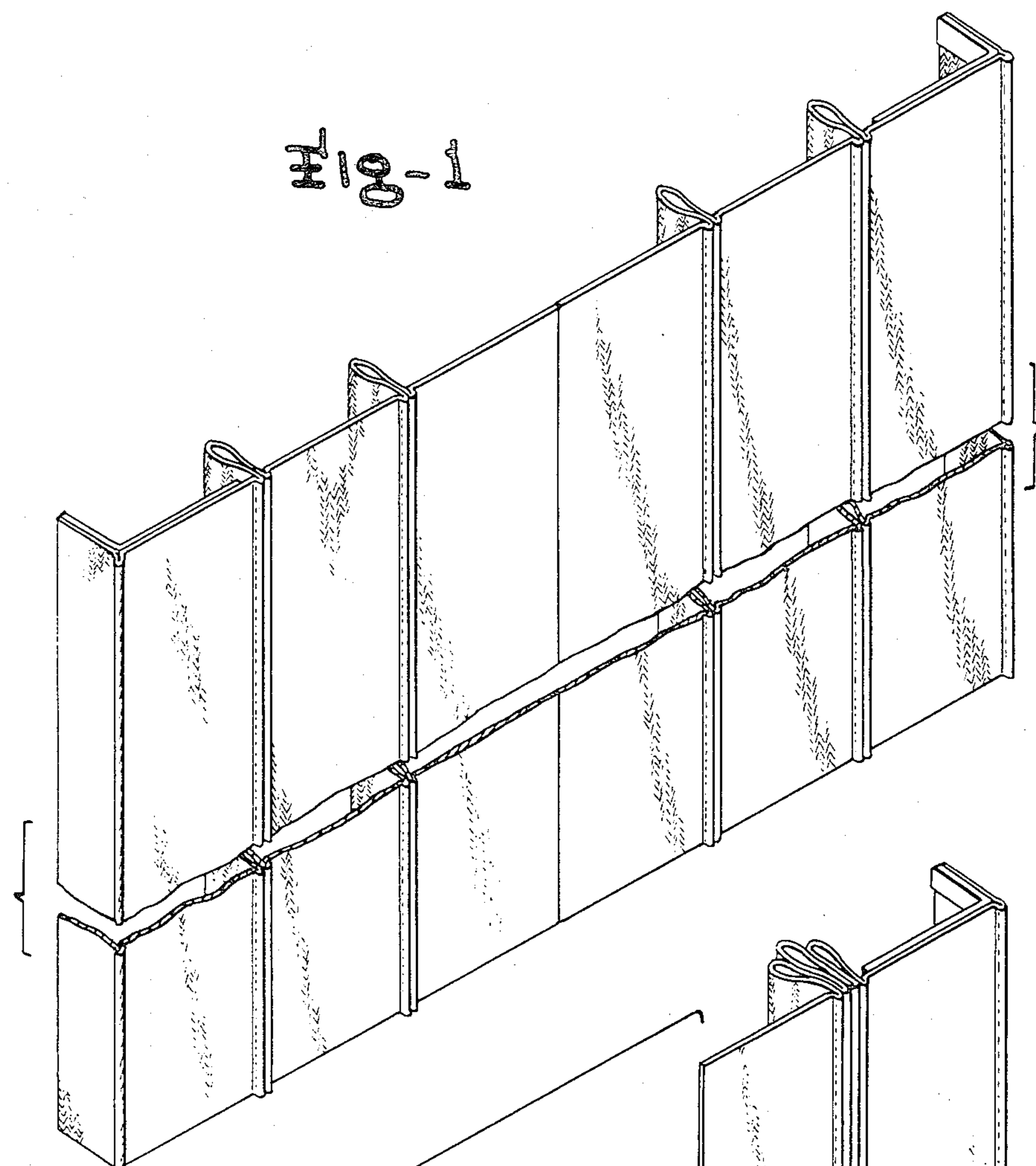


Fig-2

FIG-3

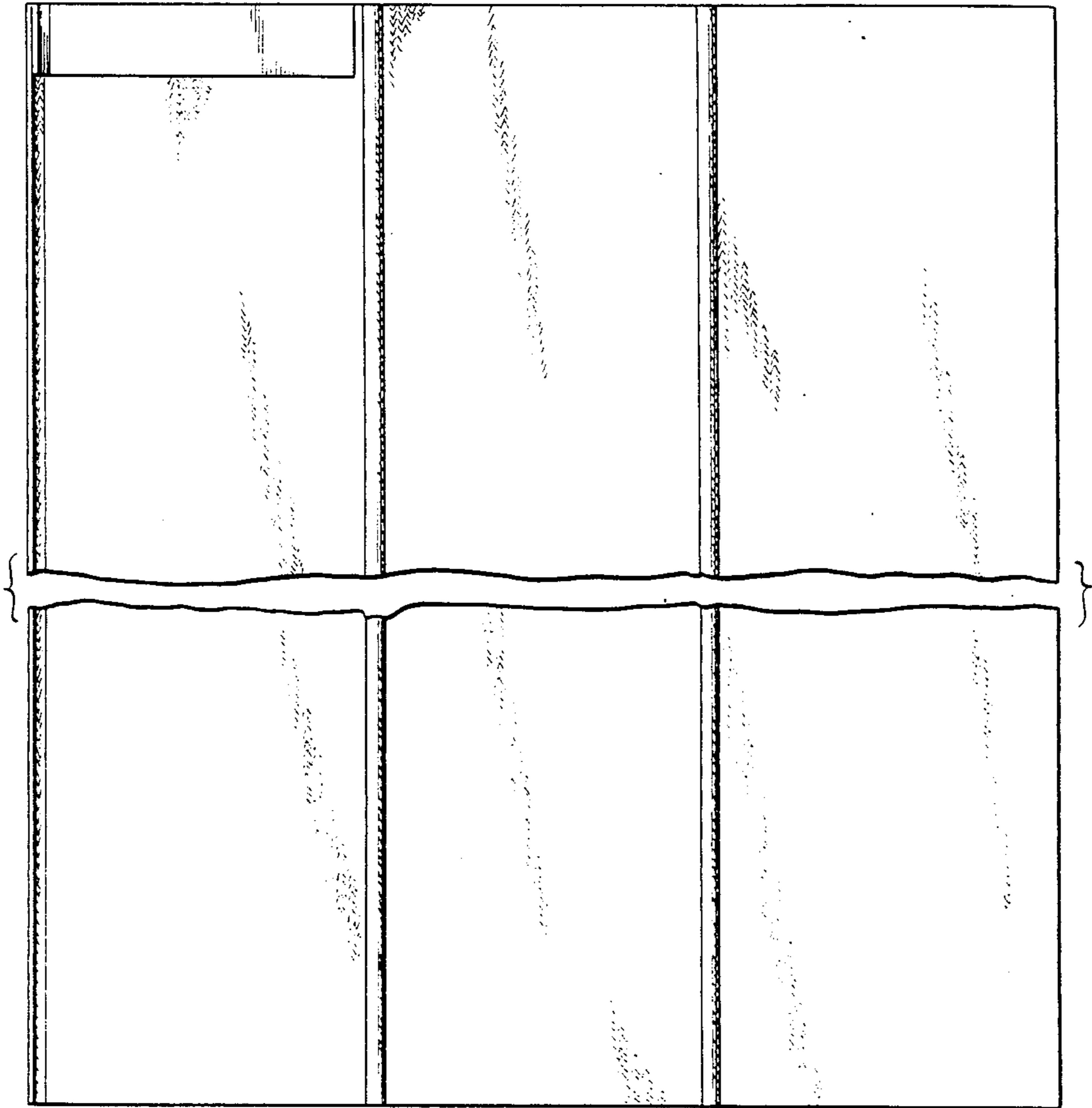


FIG-4

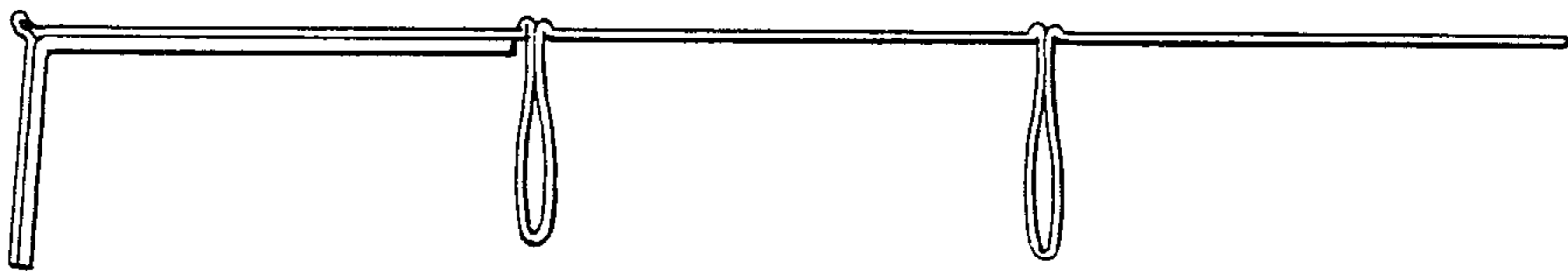


FIG-5

