

- [54] **PLASTIC BAG HOLDING RACK**
- [75] **Inventor: Alexander R. Provan, Canandaigua, N.Y.**
- [73] **Assignee: Mobil Oil Corporation, New York, N.Y.**
- [\*\*] **Term: 14 Years**
- [21] **Appl. No.: 488,515**
- [22] **Filed: Apr. 25, 1983**
- [52] **U.S. Cl. .... D6/462**
- [58] **Field of Search ..... D6/449, 462, 567; D34/5, 6; 53/390; 248/95, 97, 98, 99, 100, 101; 312/211**

D. 264,650	6/1982	Adamson .....	D6/449
447,686	3/1891	Holladay .....	248/100
4,199,122	4/1980	Christie .....	248/97
4,332,361	6/1982	McClellan .....	248/95
4,458,867	7/1984	Malik .....	248/99

*Primary Examiner*—Carmen H. Vales  
*Attorney, Agent, or Firm*—Alexander J. McKillop;  
 Michael G. Gilman; Charles A. Malone

[57] **CLAIM**

The ornamental design for a plastic bag holding rack, as shown and described.

**DESCRIPTION**

FIG. 1 is a perspective view of a plastic bag holding rack showing my new design;  
 FIG. 2 is a front elevational view thereof;  
 FIG. 3 is a side elevational view thereof;  
 FIG. 4 is a rear elevational view thereof; and  
 FIG. 5 is a bottom plan view.

- [56] **References Cited**
- U.S. PATENT DOCUMENTS**
- D. 182,404 4/1958 Dickson, Jr. .... D6/462

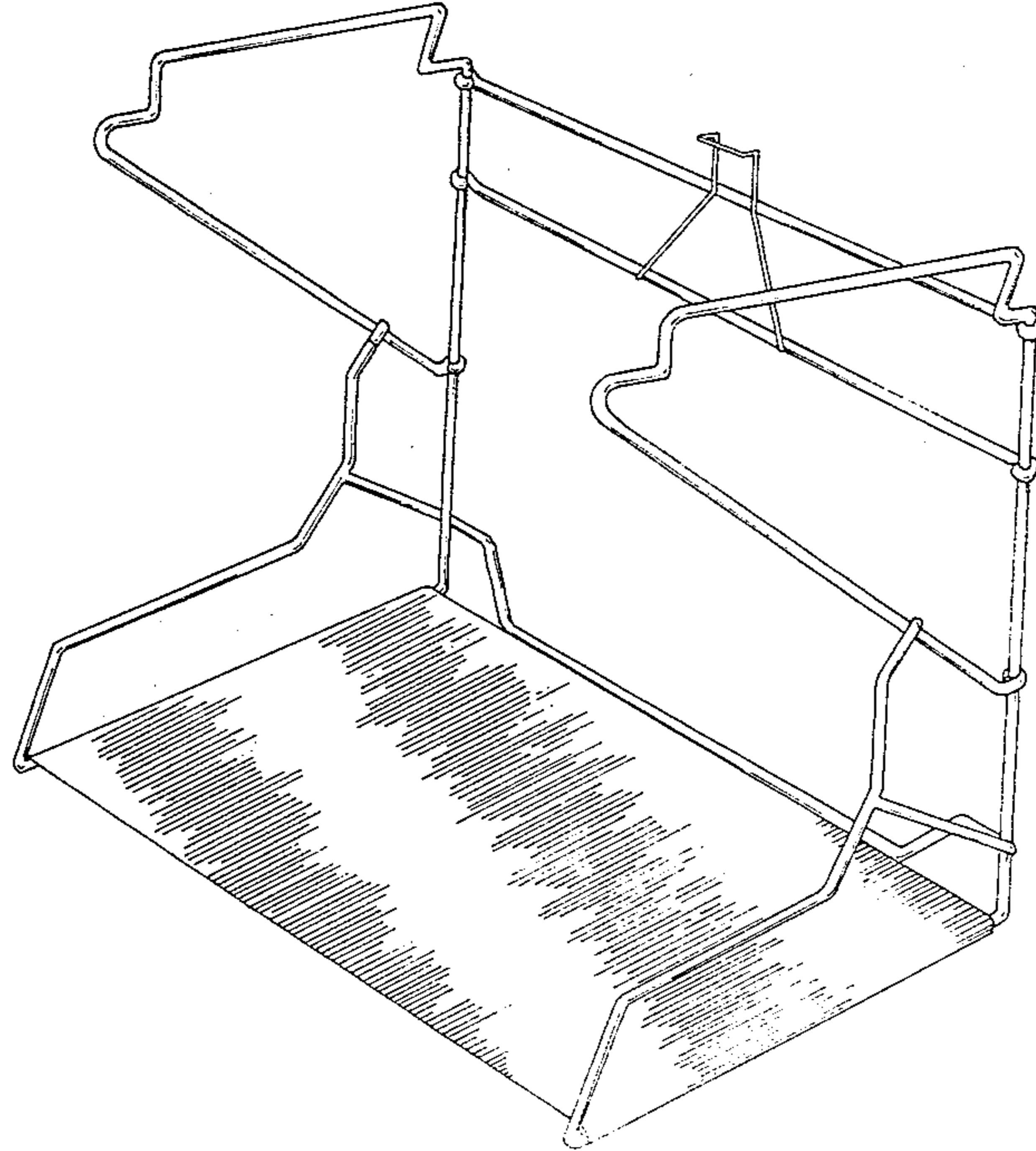
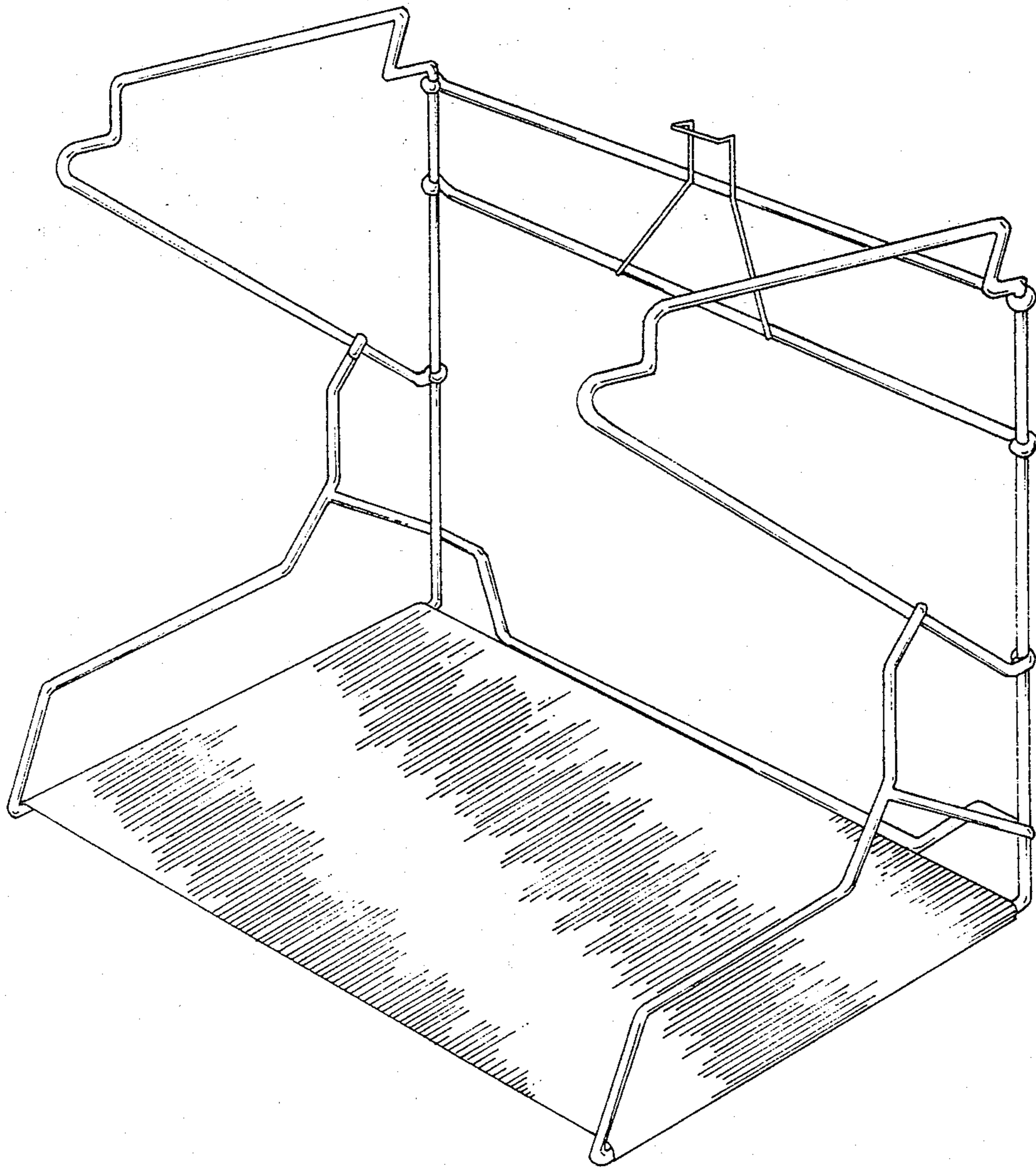


FIG. 1



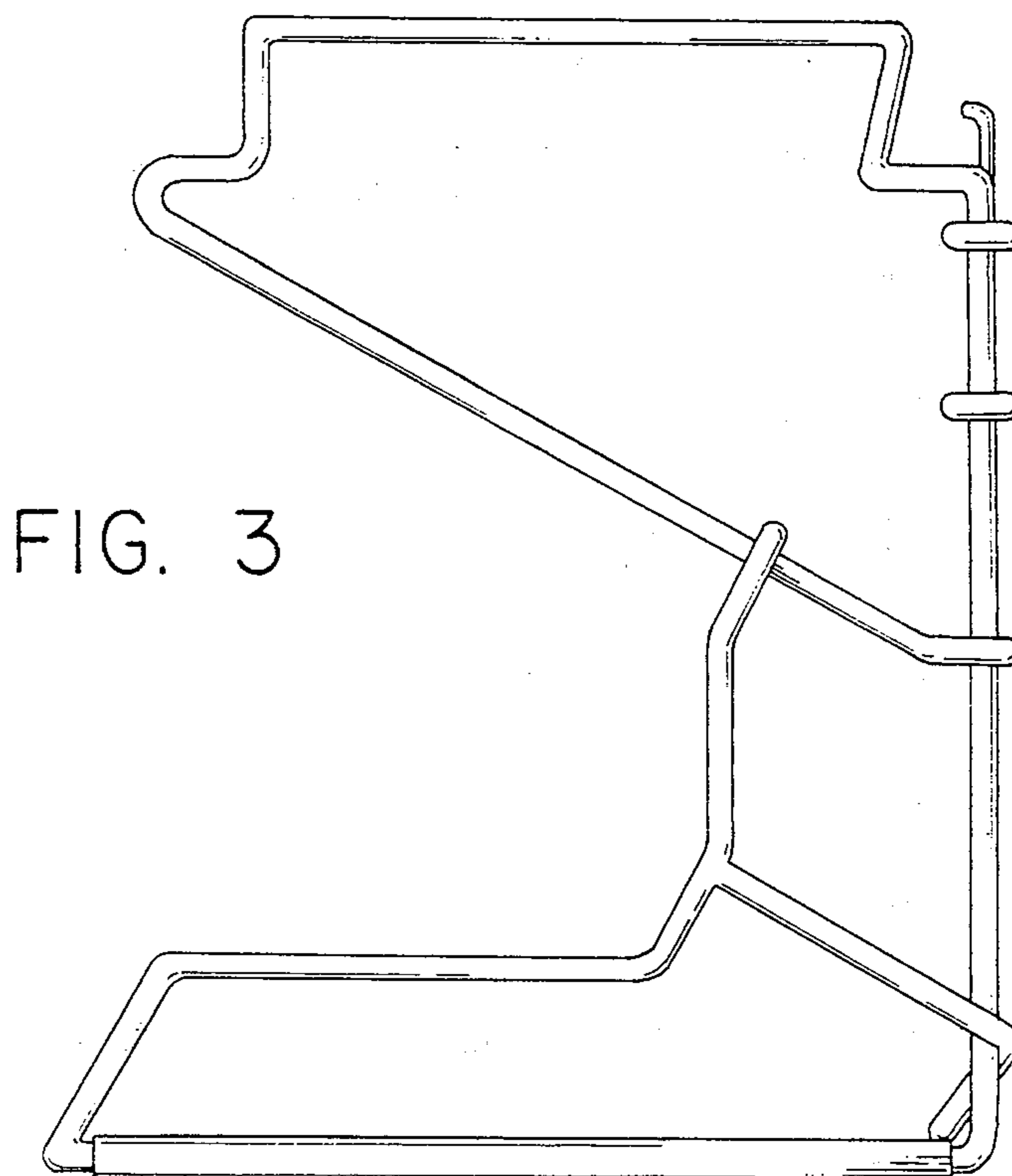
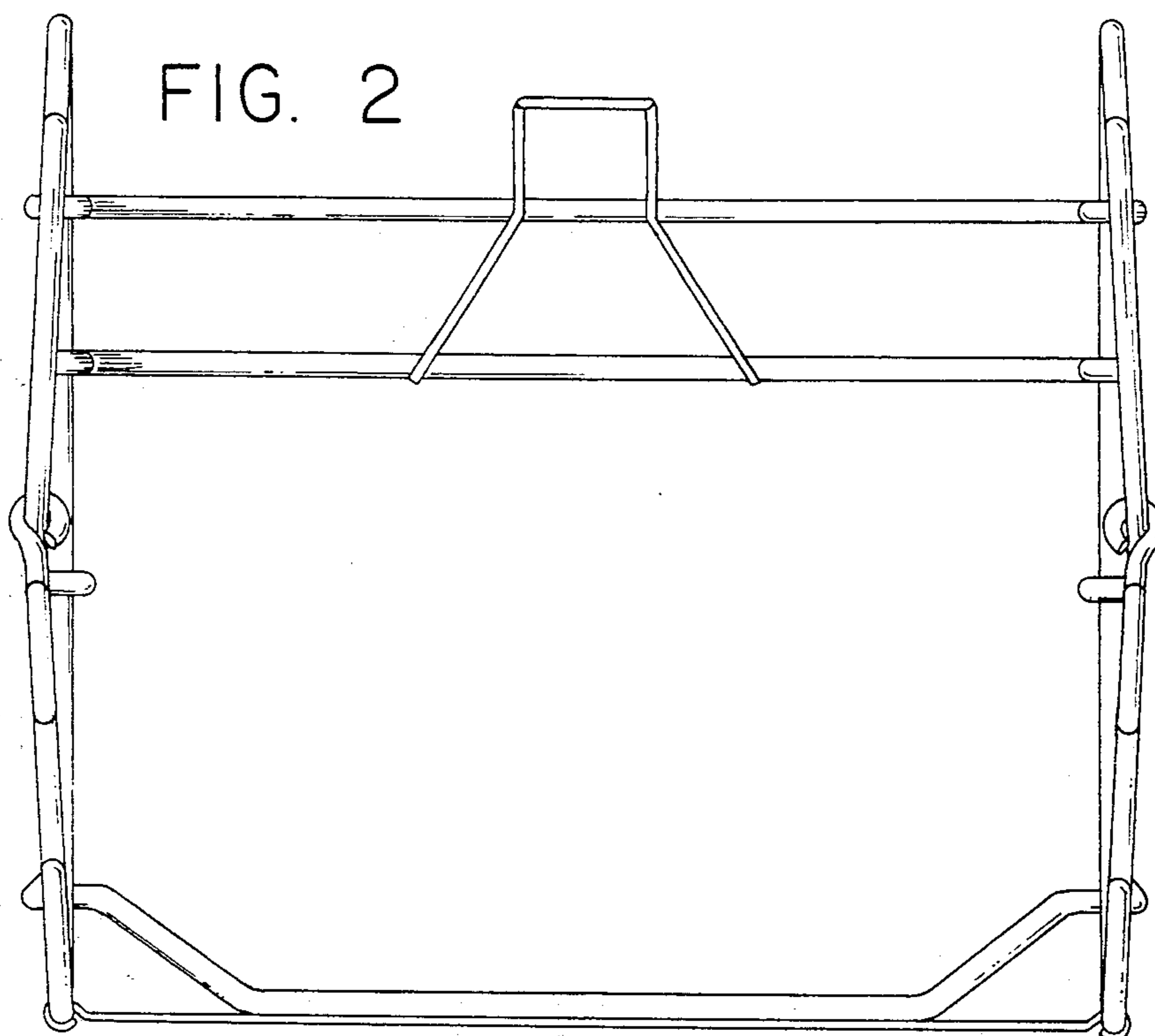


FIG. 4

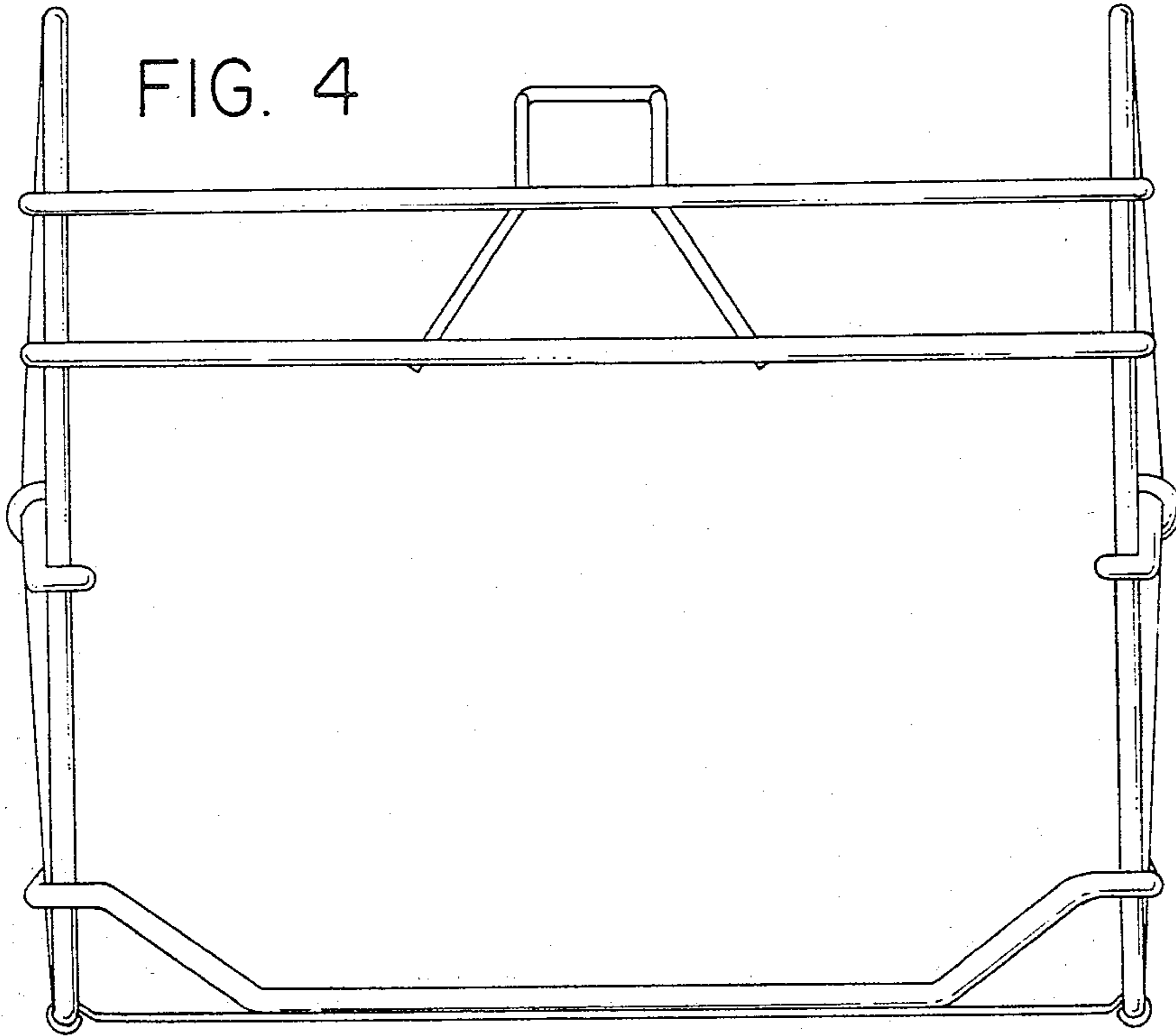


FIG. 5

