

[54] CONVERTIBLE SEAT

[75] Inventor: Leonard Eisen, Montvale, N.J.

[73] Assignee: ZTI Ltd., Brooklyn, N.Y.

[**] Term: 14 Years

[21] Appl. No.: 500,188

[22] Filed: Jun. 1, 1983

[52] U.S. Cl. D6/338

[58] Field of Search D6/335, 336, 338, 367, D6/368; 297/118, 124, 125, 126, 127, 128

[56] References Cited

U.S. PATENT DOCUMENTS

- D. 157,697 3/1950 Peppin D6/335
- D. 178,611 8/1956 Mickelson D6/342
- D. 249,105 8/1978 Infanti D6/338

2,820,507 1/1958 Provencher D6/338 X

Primary Examiner—Bruce W. Dunkins
Attorney, Agent, or Firm—William J. Daniel

[57] CLAIM

The ornamental design for a convertible seat, as shown.

DESCRIPTION

FIG. 1 is a front perspective view of a convertible seat showing my design in the form of a seat;

FIG. 2 is a side elevational view taken from the right in FIG. 1;

FIG. 3 is a front elevational view thereof;

FIG. 4 is a front perspective view of a convertible seat showing my design in its converted form for use as a combined seat and table;

FIG. 5 is a top plan view of the converted form shown in FIG. 4; and

FIG. 6 is a front elevational view thereof.

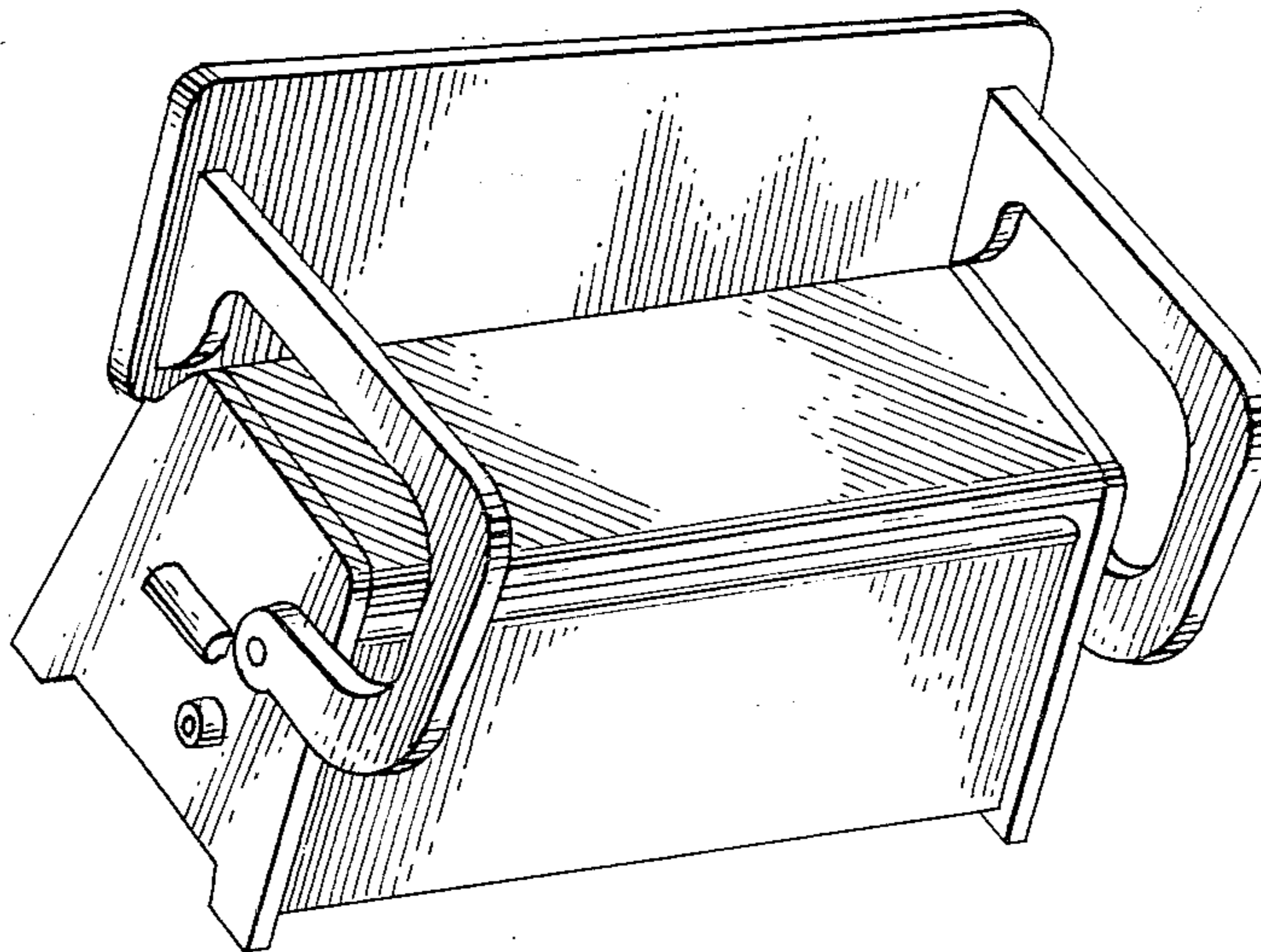


FIG. 1.

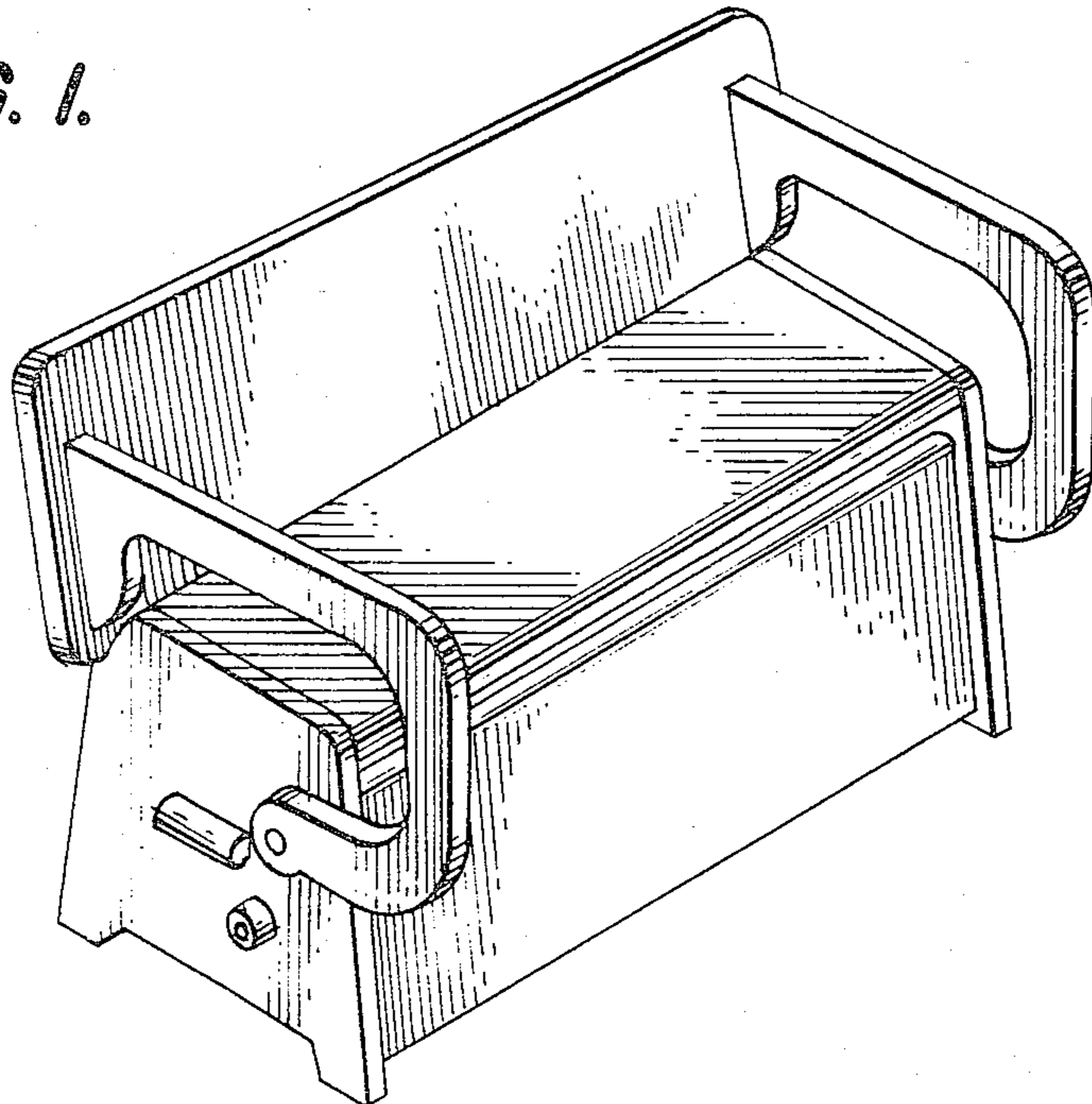


FIG. 2.

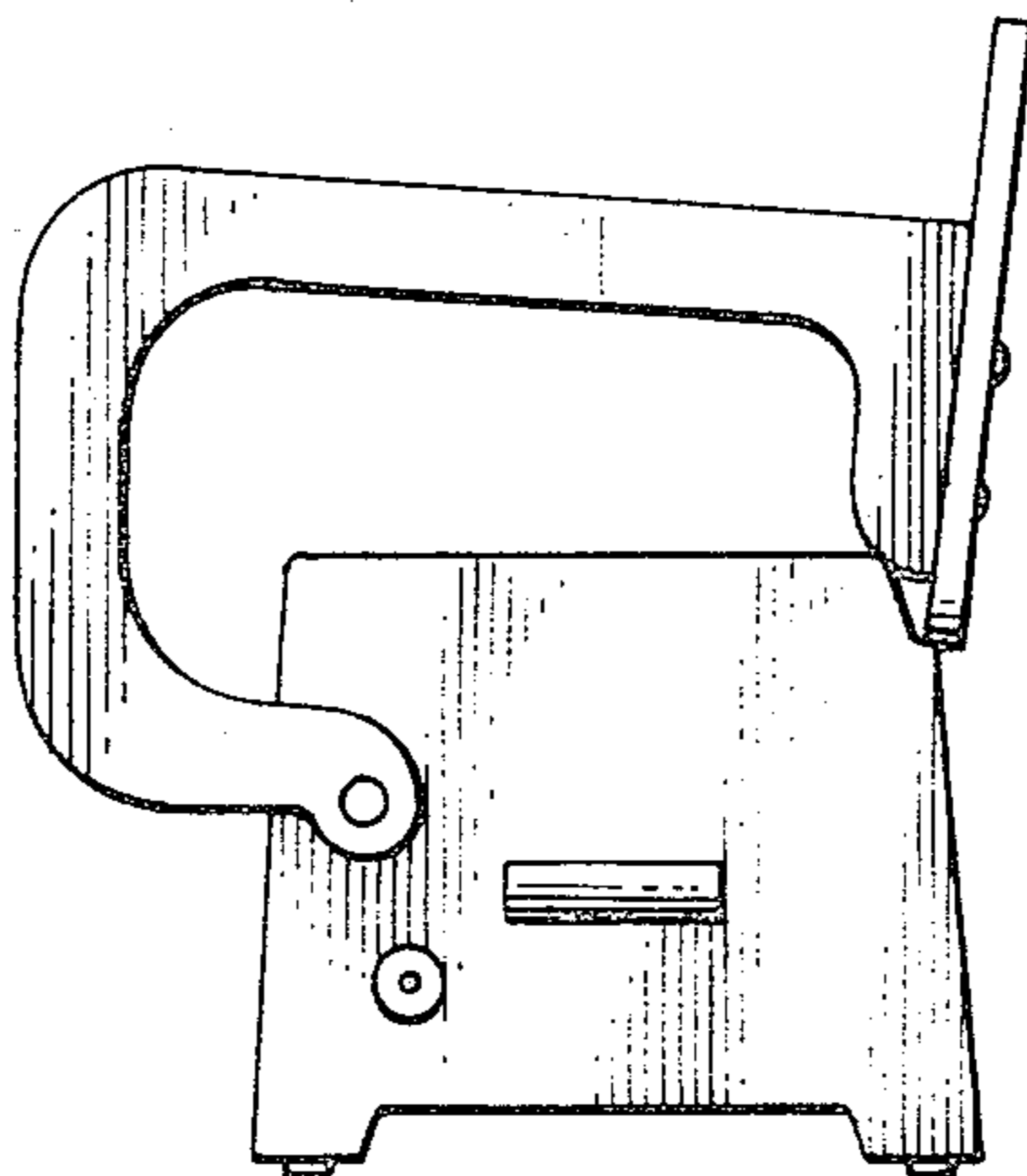


FIG. 3.

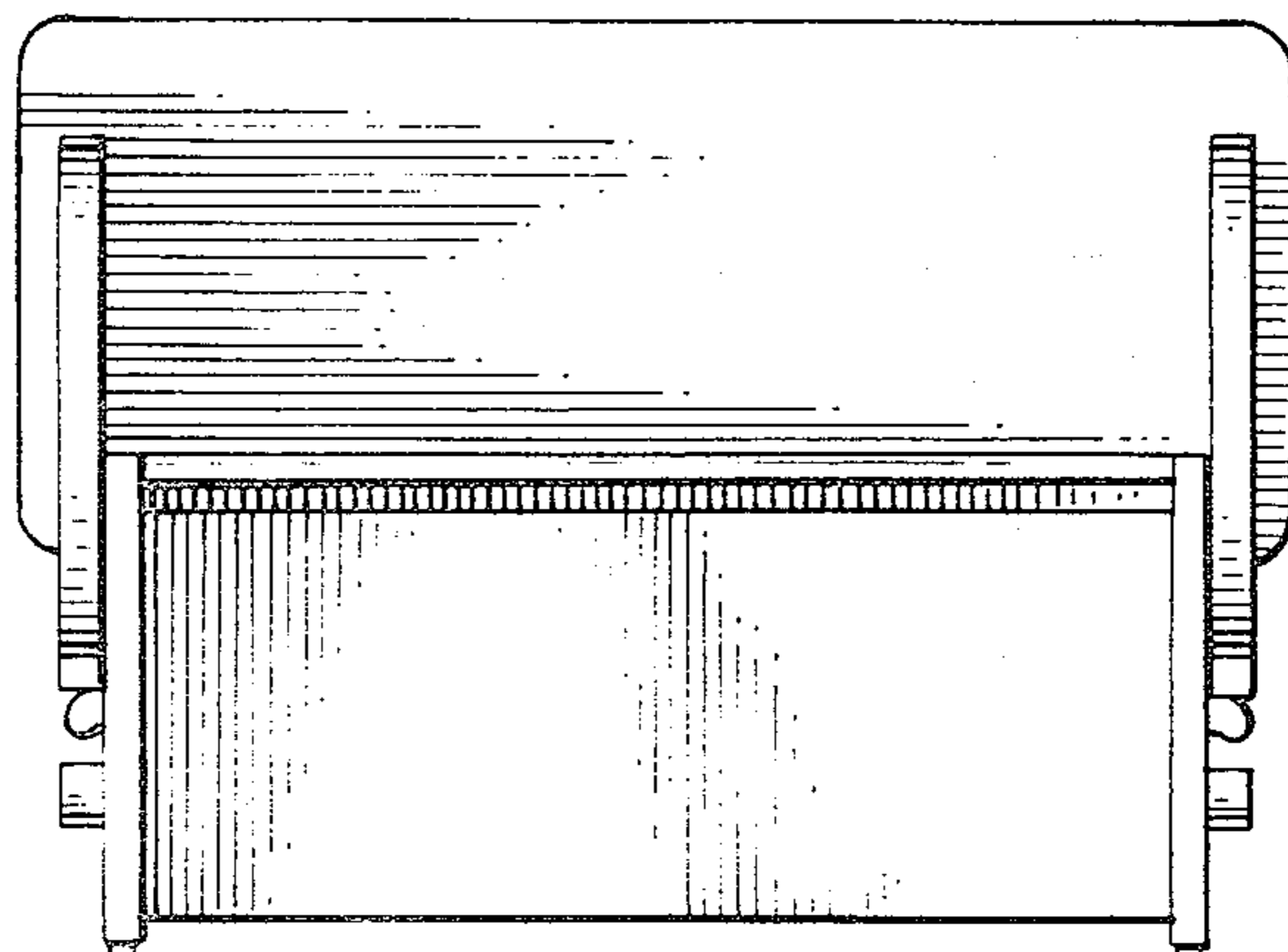


FIG. 4.

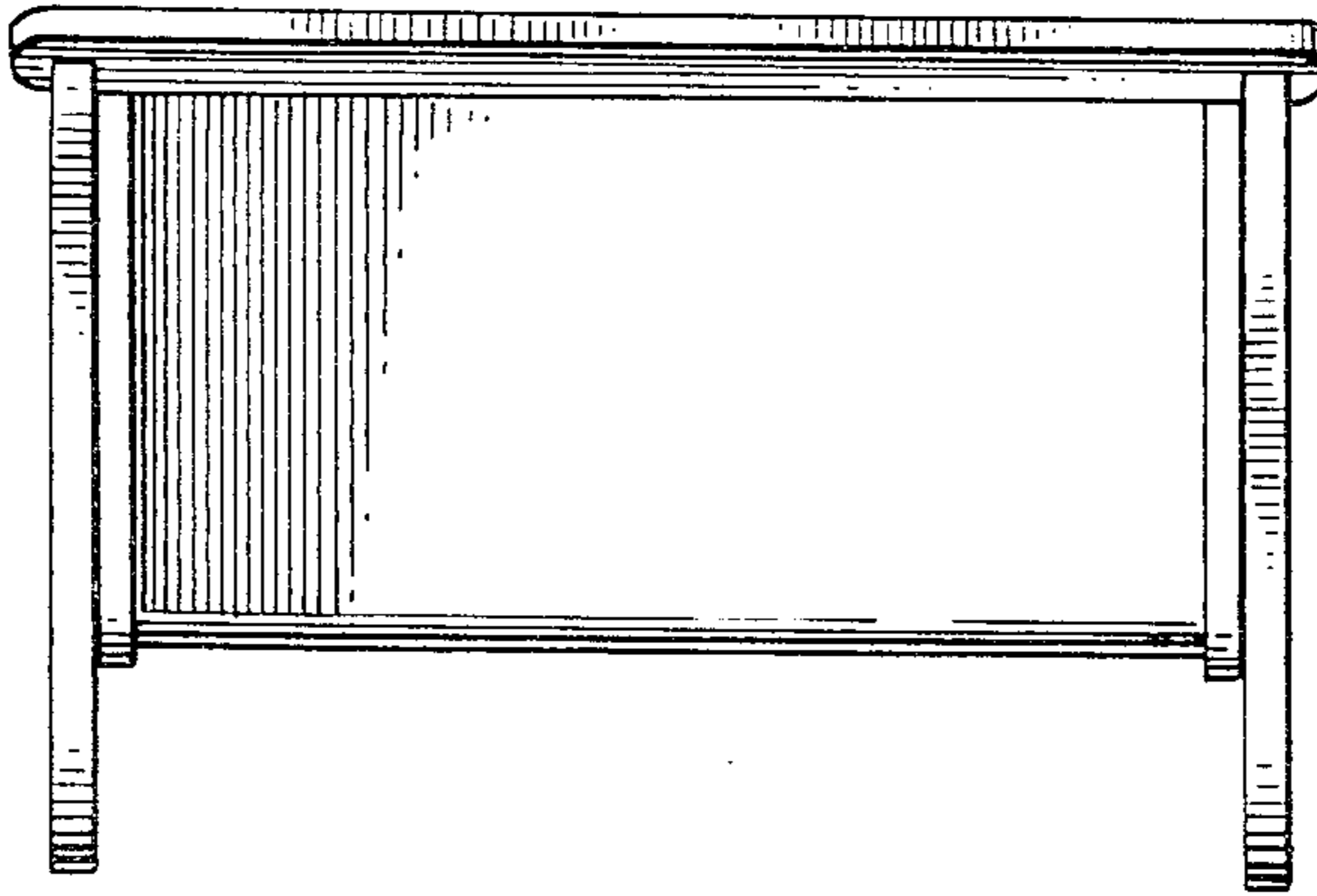


FIG. 5.

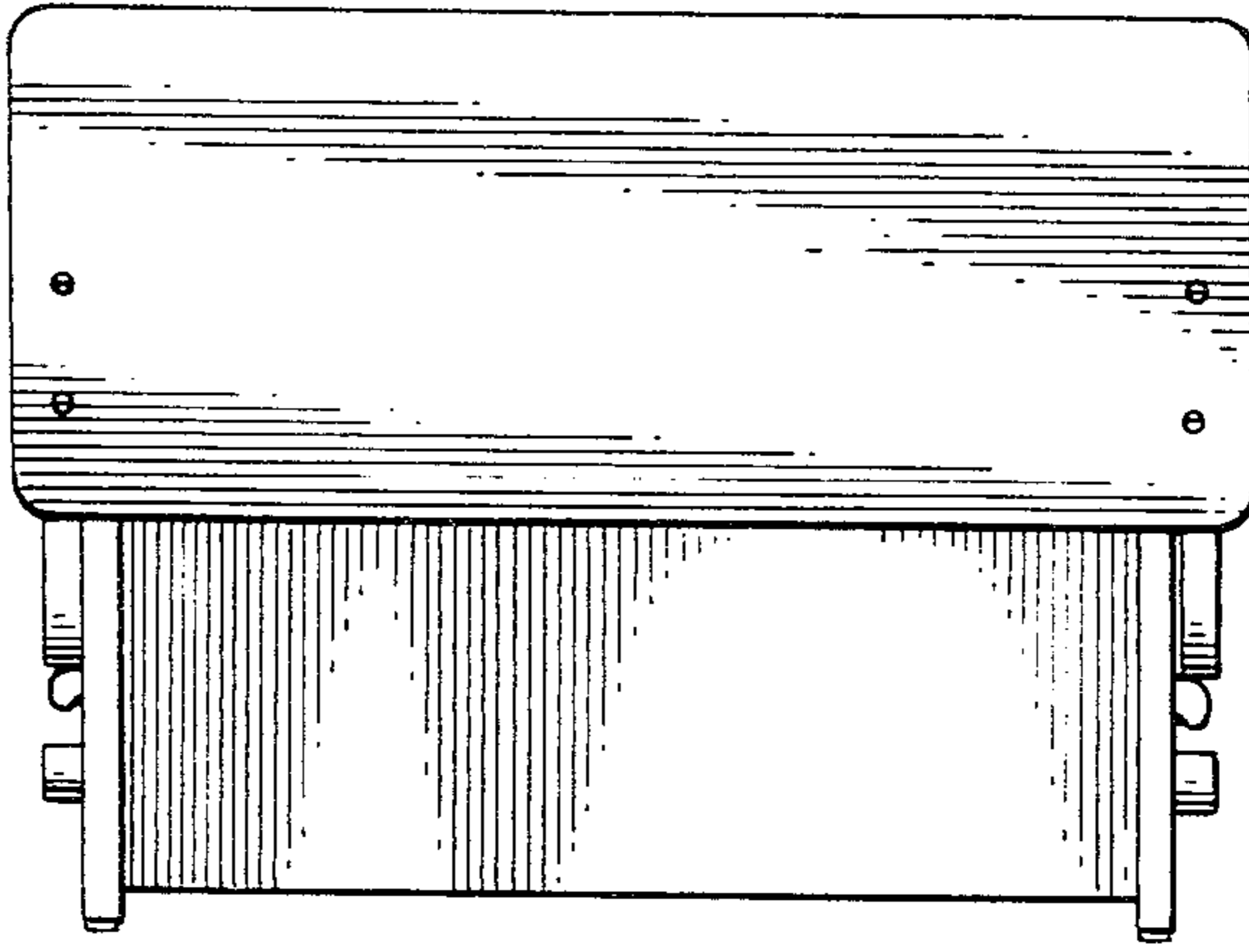


FIG. 6.

