

United States Patent [19]

Russell

[11] Patent Number: **Des. 280,868**

[45] Date of Patent: **** Oct. 8, 1985**

[54] **FOOT SCRUBBER**

[76] Inventor: **Bruce R. Russell**, 5849 S. Greenleaf,
Whittier, Calif. 90601

[**] Term: **14 Years**

[21] Appl. No.: **467,776**

[22] Filed: **Feb. 18, 1983**

[52] U.S. Cl. **D4/118; D4/119;**
D32/47; D24/42

[58] Field of Search **15/30-37,**
15/112, 161, 216, 217, 237-240; D32/47;
D4/116, 118, 119, 130, 199; D28/63; D24/36,
42

[56] **References Cited**

U.S. PATENT DOCUMENTS

2,591,331 4/1952 Baumbach 15/161 X

Primary Examiner—Catherine E. Kemper
Attorney, Agent, or Firm—Edgar W. Averill, Jr.

[57] **CLAIM**

The ornamental design for a foot scrubber, as shown.

DESCRIPTION

FIG. 1 is a top front perspective view of a foot scrubber, showing my new design;
FIG. 2 is a bottom perspective view thereof.

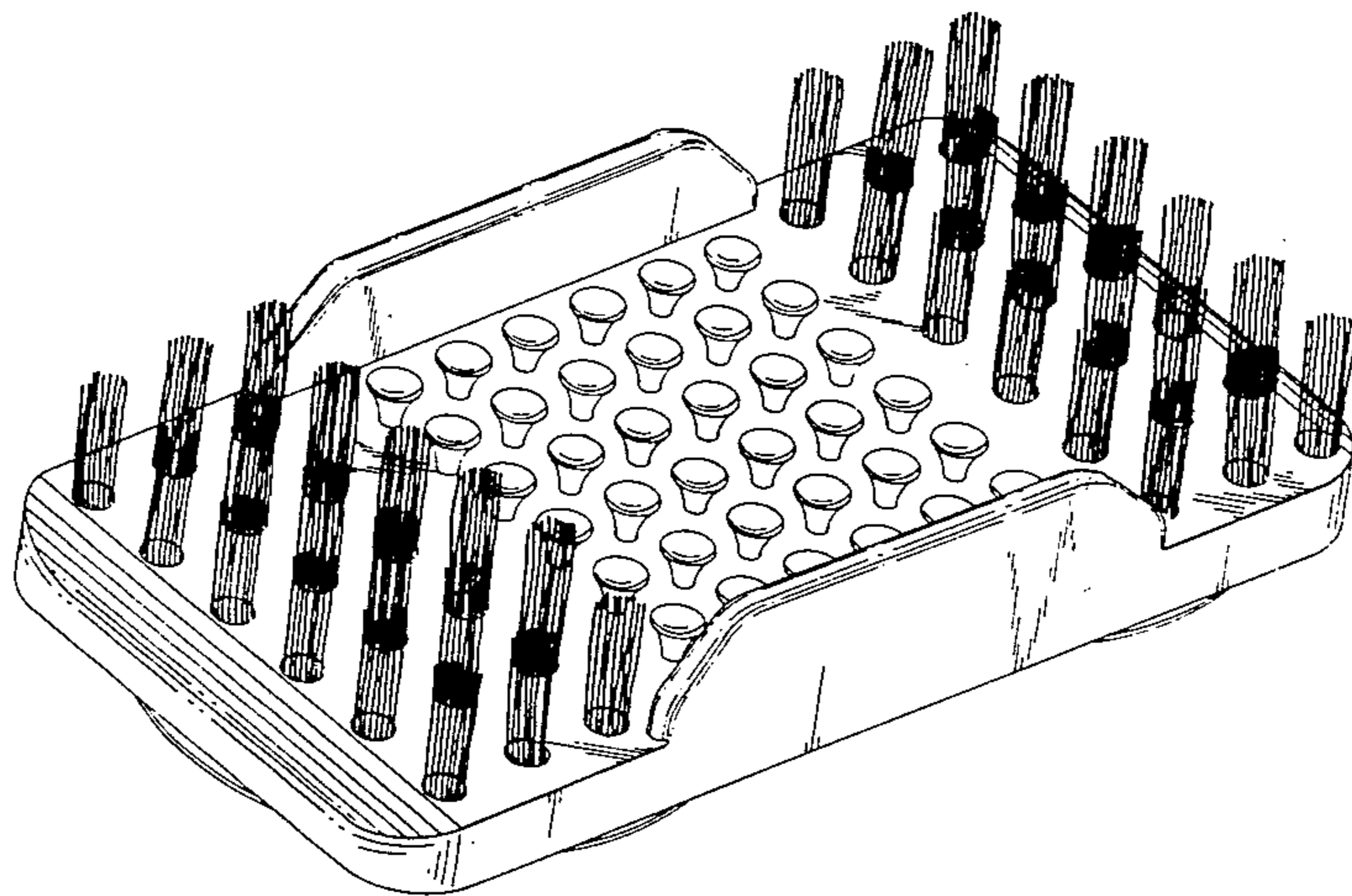


FIG. 1.

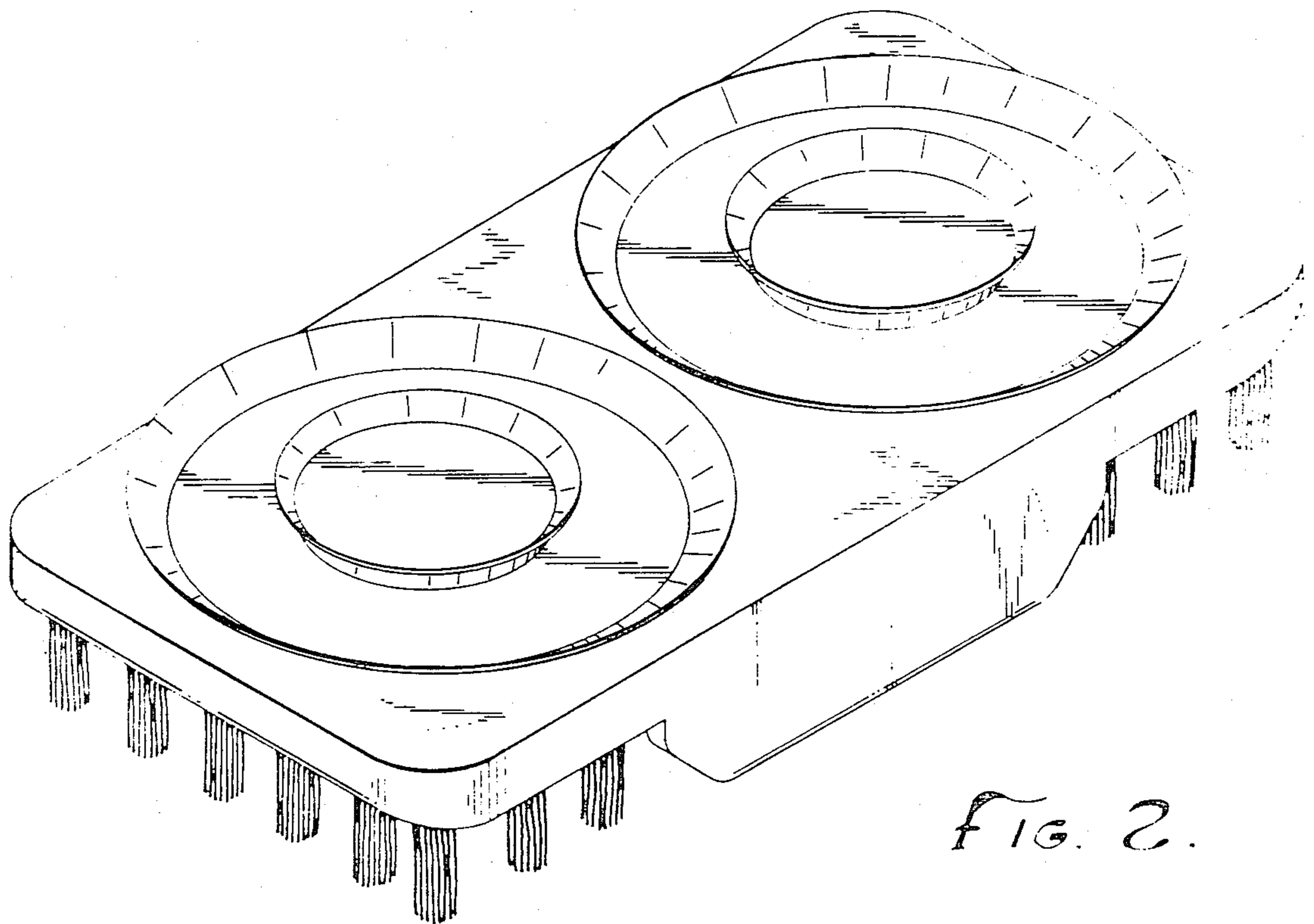
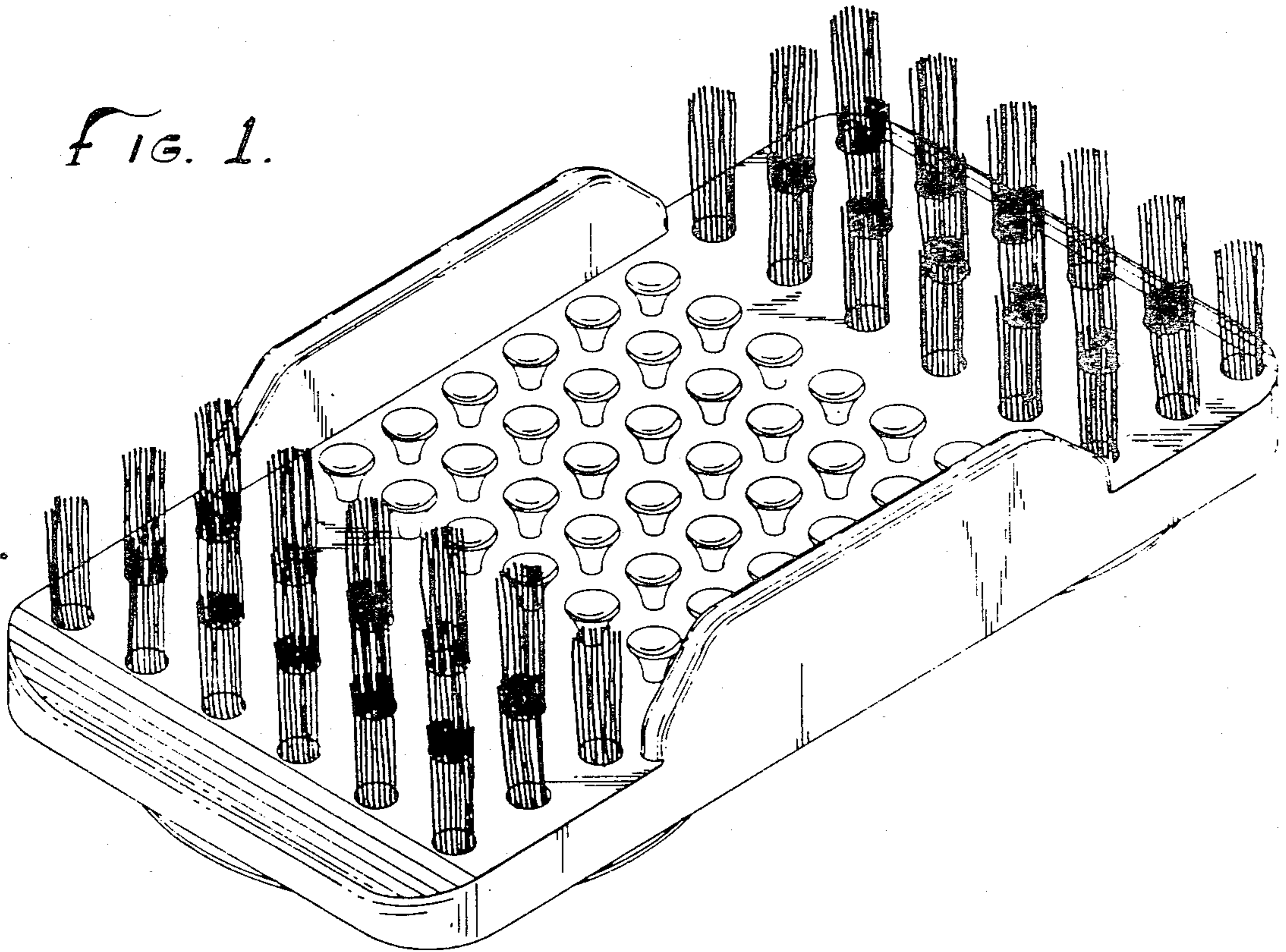


FIG. 2.