

[54] HAT

[76] Inventors: Dennis D. B. Giraud, 312 Carnarvon St. #4, New Westminster, B.C., Canada, V3L 5H6; Timothy J. W. Ivamy, 1015 Ironwork Passage, Vancouver, B.C., Canada, V6H 3R4

[\*\*] Term: 14 Years

[21] Appl. No.: 529,980

[22] Filed: Sep. 6, 1983

[52] U.S. Cl. .... D2/244

[58] Field of Search ..... D2/230, 231, 232, 239, D2/241, 244, 253, 256; 2/171, 171.1, 171.2, 171.3, 171.4, 171.5, 197, 175, 177, 184.5, 195, 196, 198, 199, 200

[56] References Cited

U.S. PATENT DOCUMENTS

1,148,586	8/1915	Henderson	.....	2/195
2,470,833	5/1949	Moore	.....	2/198 X
2,799,863	7/1957	DeGrazia	.....	2/195
2,810,913	10/1957	Kennedy	.....	2/195
3,366,971	2/1968	Scherz	.....	2/200 X
3,766,565	10/1973	Cozzens	.....	D2/244 X

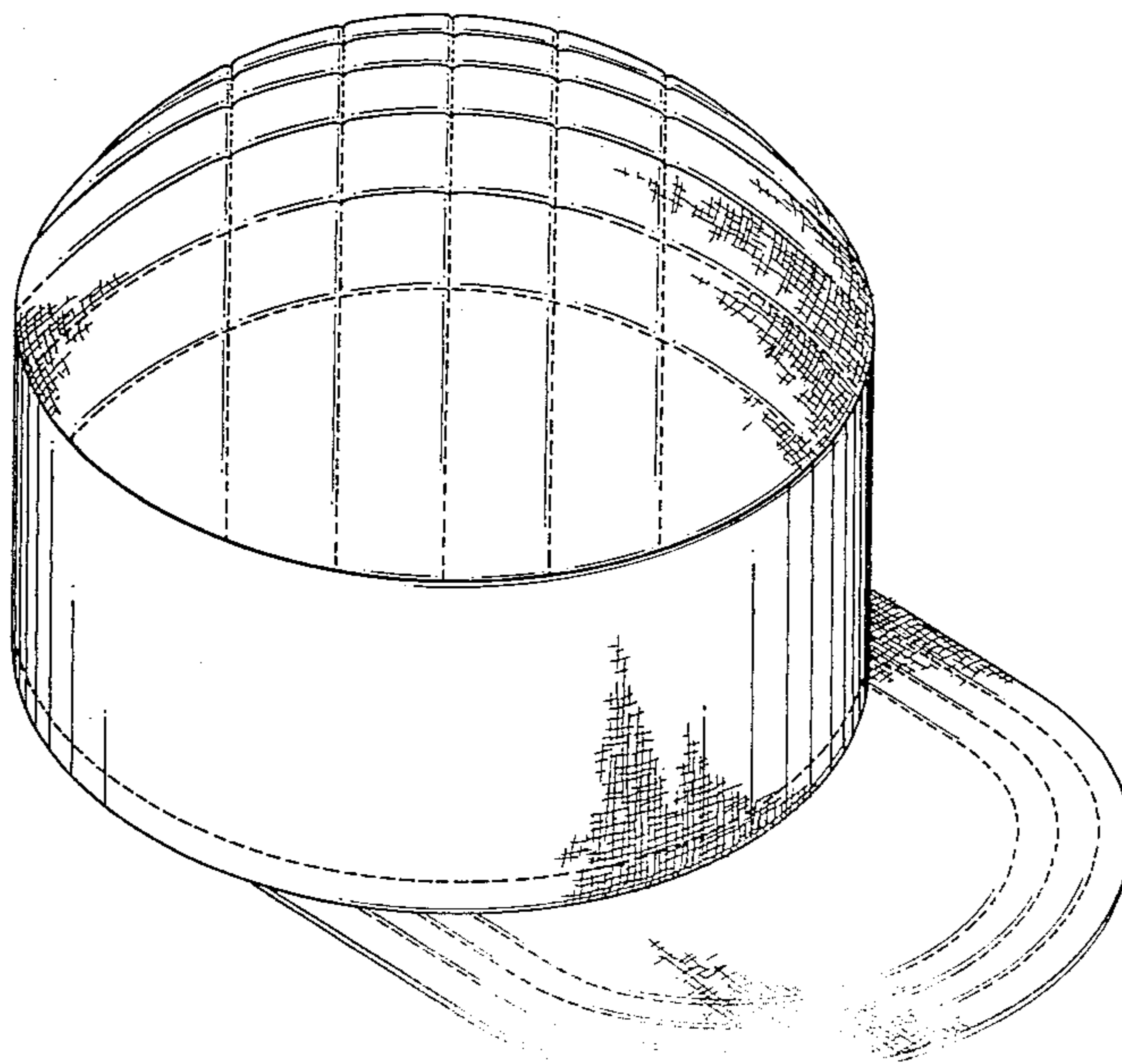
Primary Examiner—Carmen H. Vales  
Attorney, Agent, or Firm—Hughes, Barnard & Cassidy

[57] CLAIM

The ornamental design for a hat, substantially as shown and described.

DESCRIPTION

FIG. 1 is a perspective view of a hat showing our new design;  
FIG. 2 is a top plan view thereof;  
FIG. 3 is a side elevational view thereof;  
FIG. 4 is a rear elevational view thereof;  
FIG. 5 is a front elevational view thereof; and  
FIG. 6 is a bottom plan view thereof.



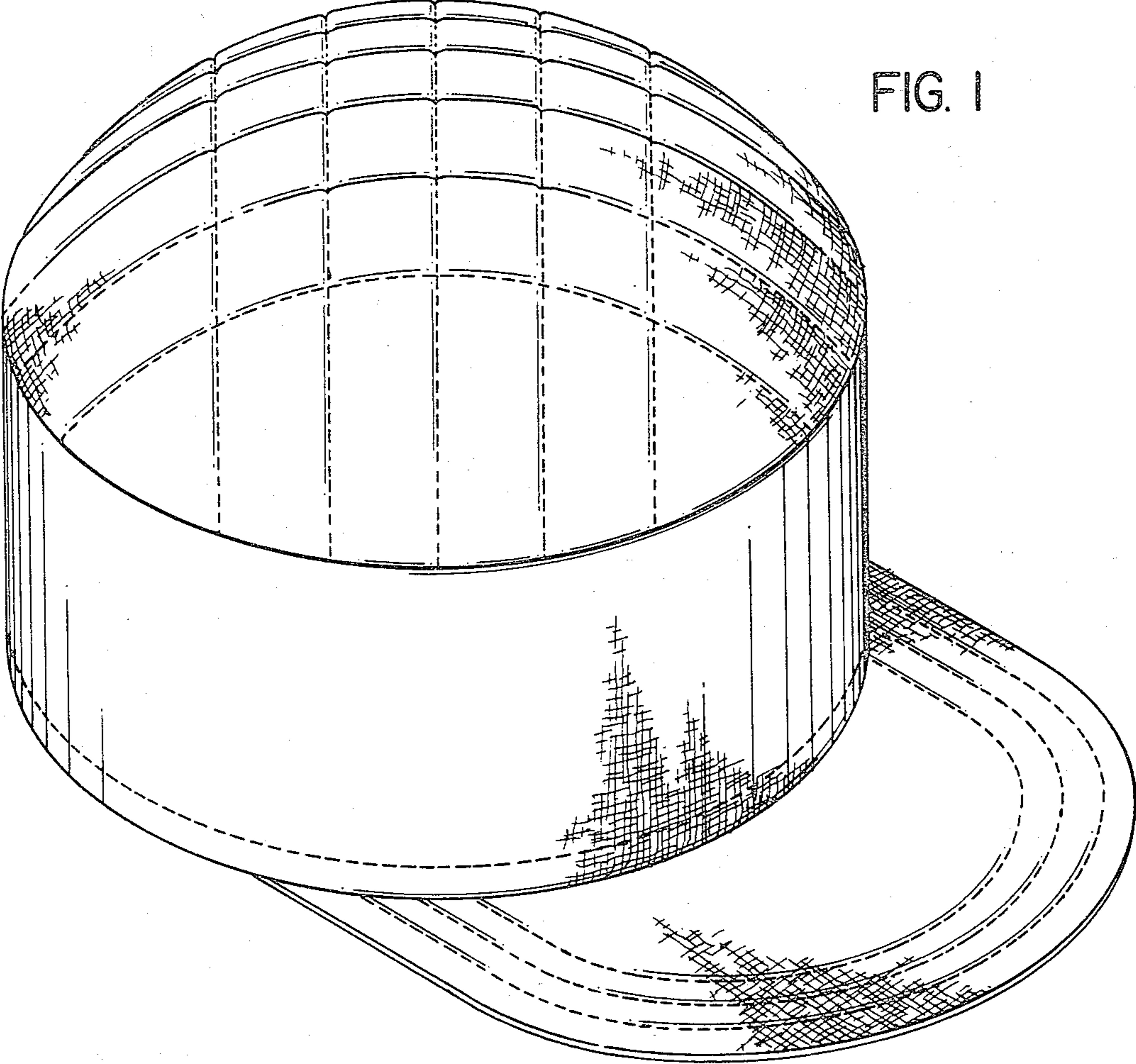


FIG. 1

FIG. 2

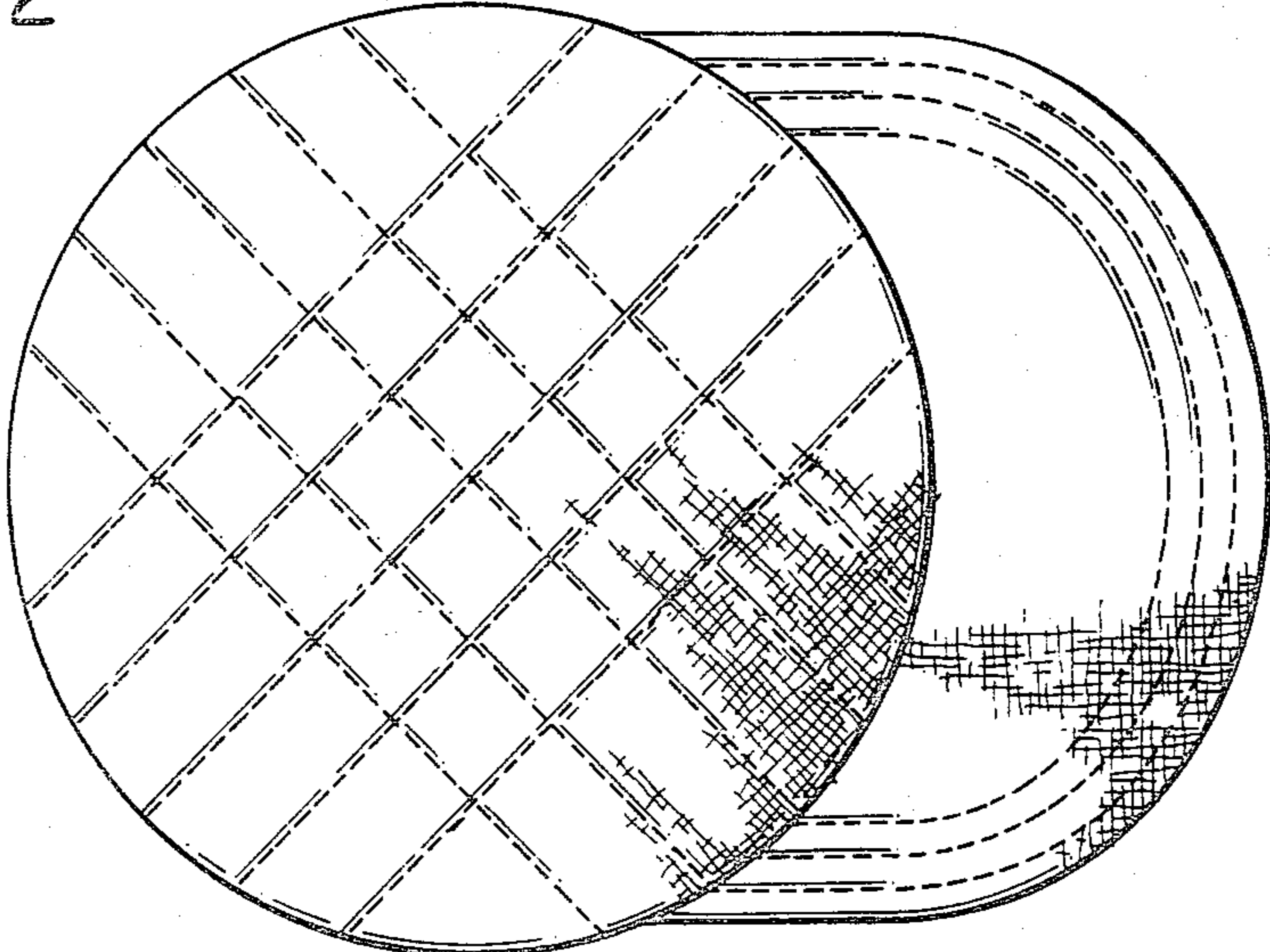


FIG. 3

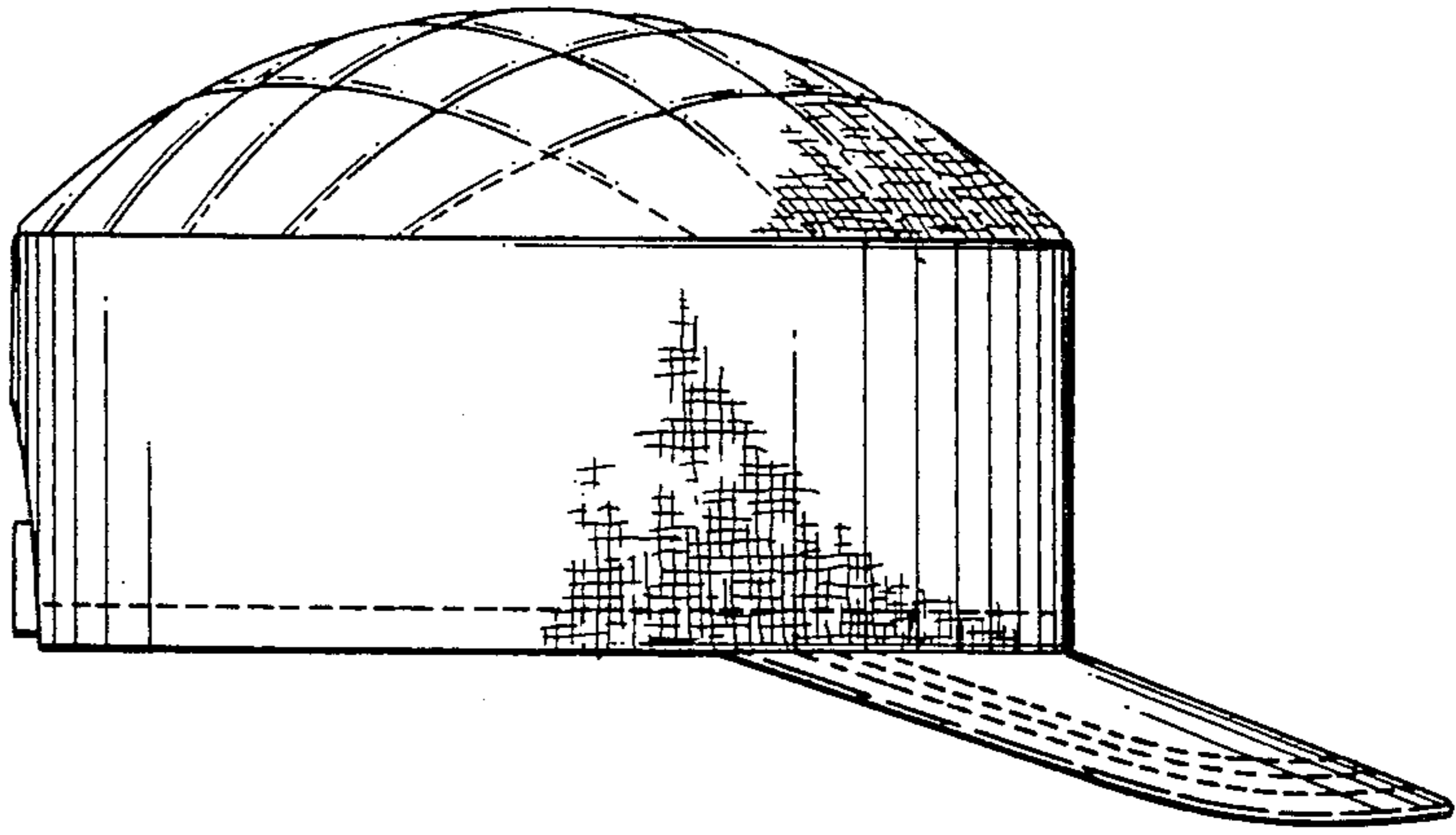


FIG. 4

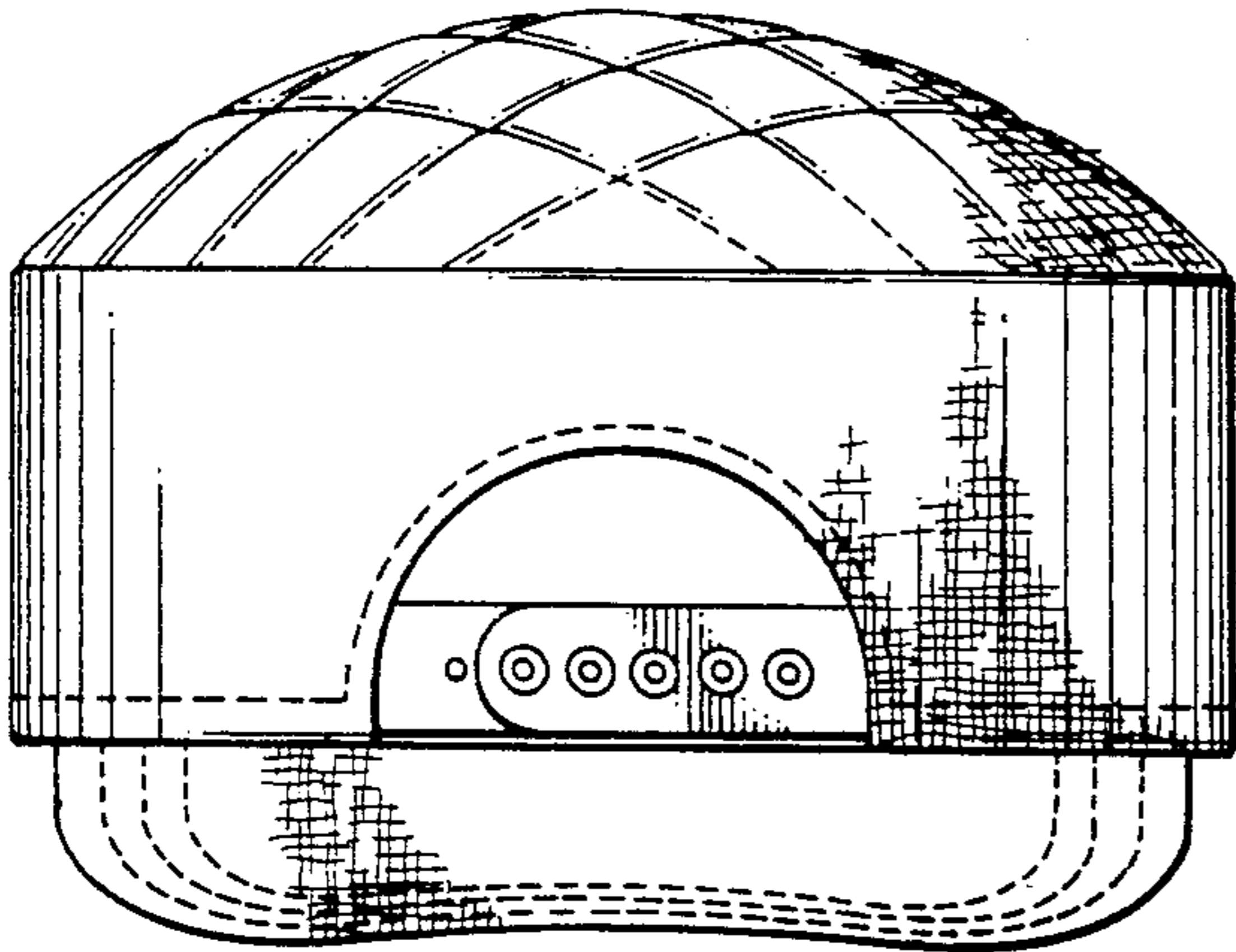


FIG. 5

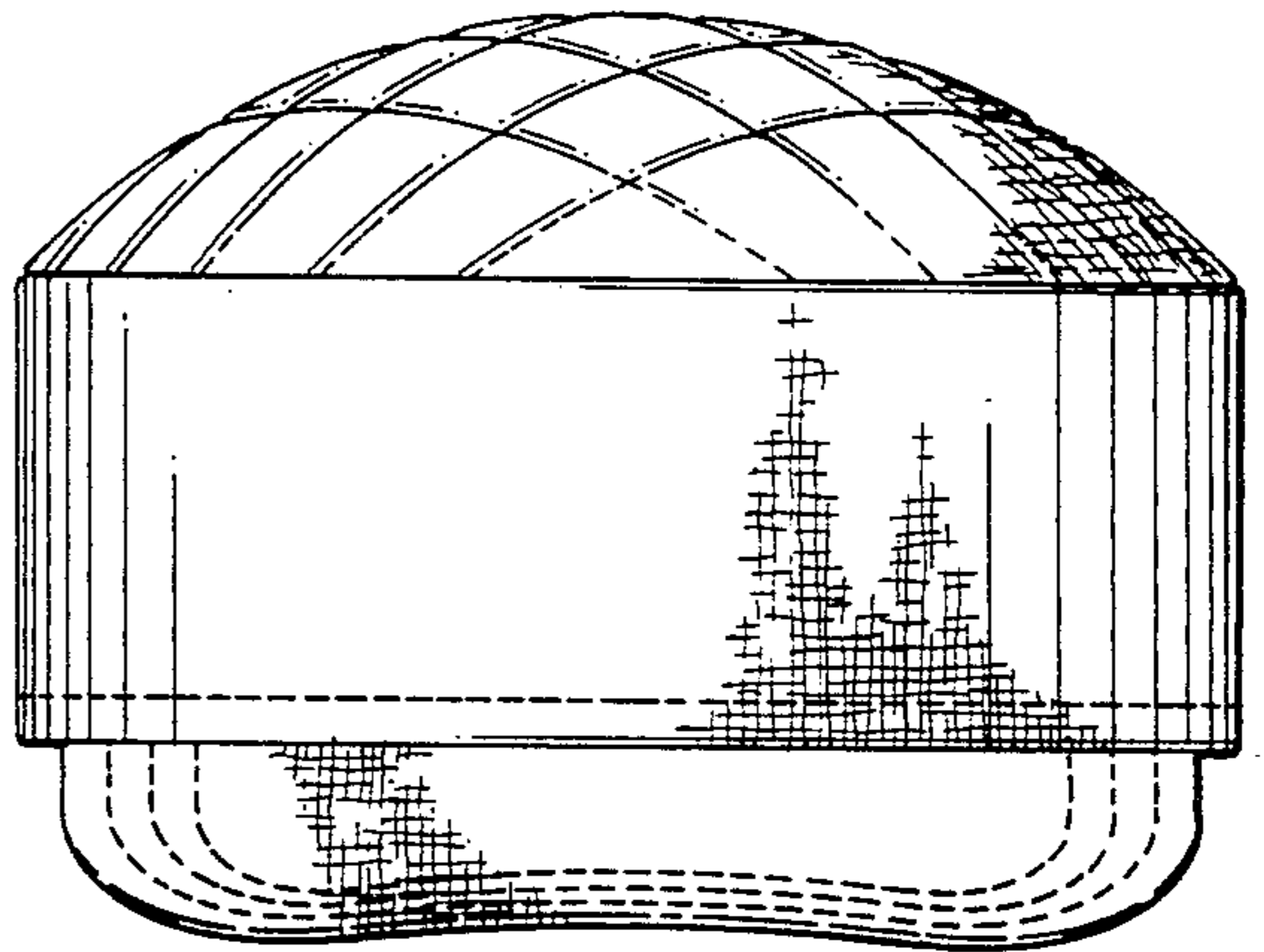


FIG. 6

