

[54] **BASEBALL EQUIPMENT CART**

[76] **Inventor: John P. Ott, 550 W. Central, Apt. 1408, Wichita, Kans. 67203**

[**] **Term: 14 Years**

[21] **Appl. No.: 448,965**

[22] **Filed: Dec. 13, 1982**

[52] **U.S. Cl. D34/25; D34/15**

[58] **Field of Search D34/12-15, D34/24, 26; 280/DIG. 6, 47.26, 47.19, 47.24**

[56] **References Cited**

U.S. PATENT DOCUMENTS

| | | | |
|-----------|--------|------------------|------------|
| 2,950,748 | 8/1960 | Olinghouse | 280/DIG. 6 |
| 2,989,319 | 6/1961 | Northrop | 280/47.26 |
| 2,992,012 | 7/1961 | Herold | 280/DIG. 6 |
| 3,165,330 | 1/1965 | Cotton | D34/15 |

3,172,681 3/1965 Moses 280/47.19

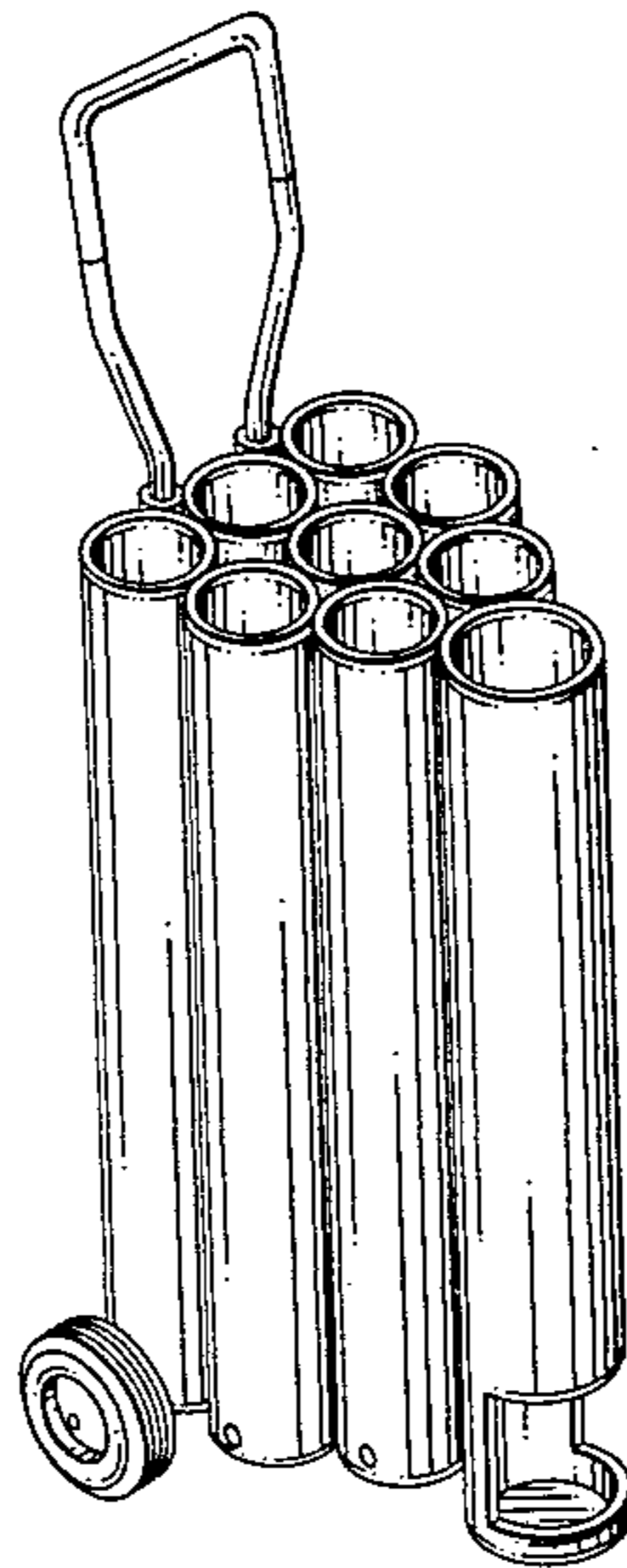
Primary Examiner—James M. Gandy
Assistant Examiner—Kay H. Chin
Attorney, Agent, or Firm—Phillip A. Rein

[57] **CLAIM**

The ornamental design for a baseball equipment cart, as shown and described.

DESCRIPTION

FIG. 1 is an upper left perspective view which is identical to an upper right perspective view of the baseball equipment cart showing my new design; FIG. 2 is a bottom plan view thereof; FIG. 3 is a rear elevational view thereof; and FIG. 4 is a top plan view of a baseball equipment cart showing a second embodiment of my new design, it being understood the sole difference resides in the cart having an additional conveyance tube member.



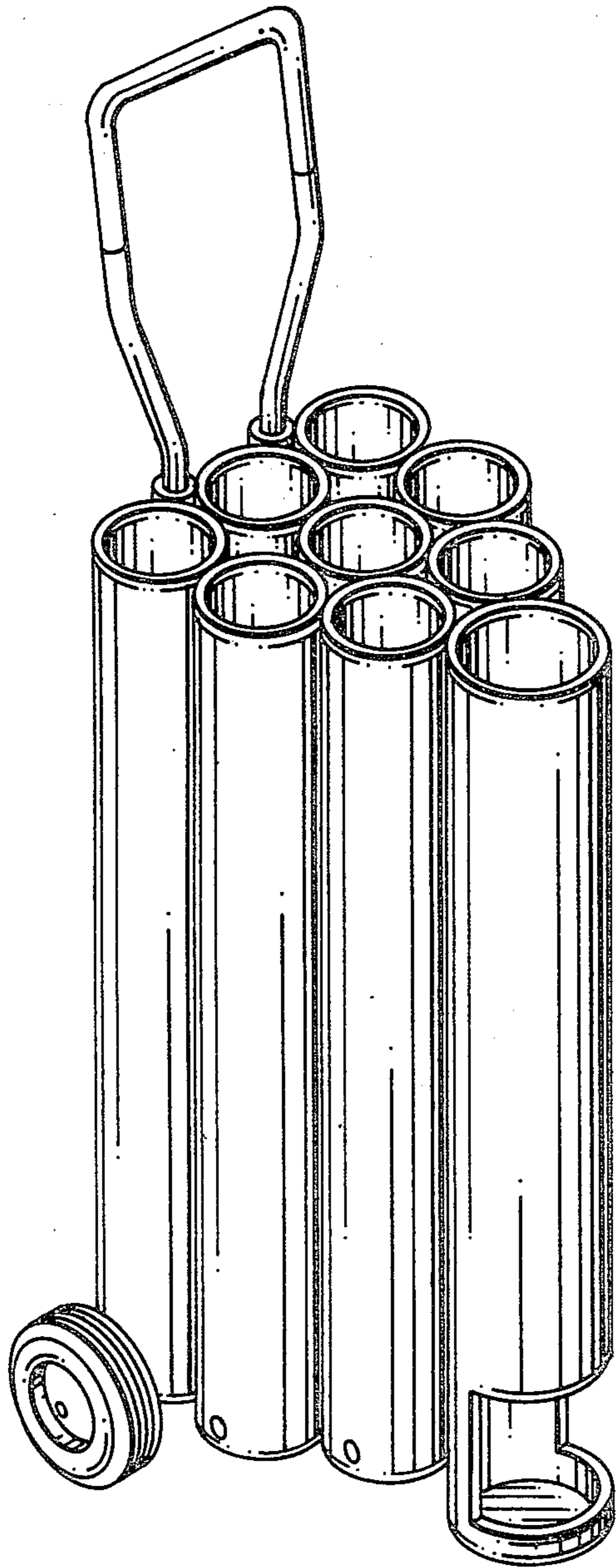


FIG. 1

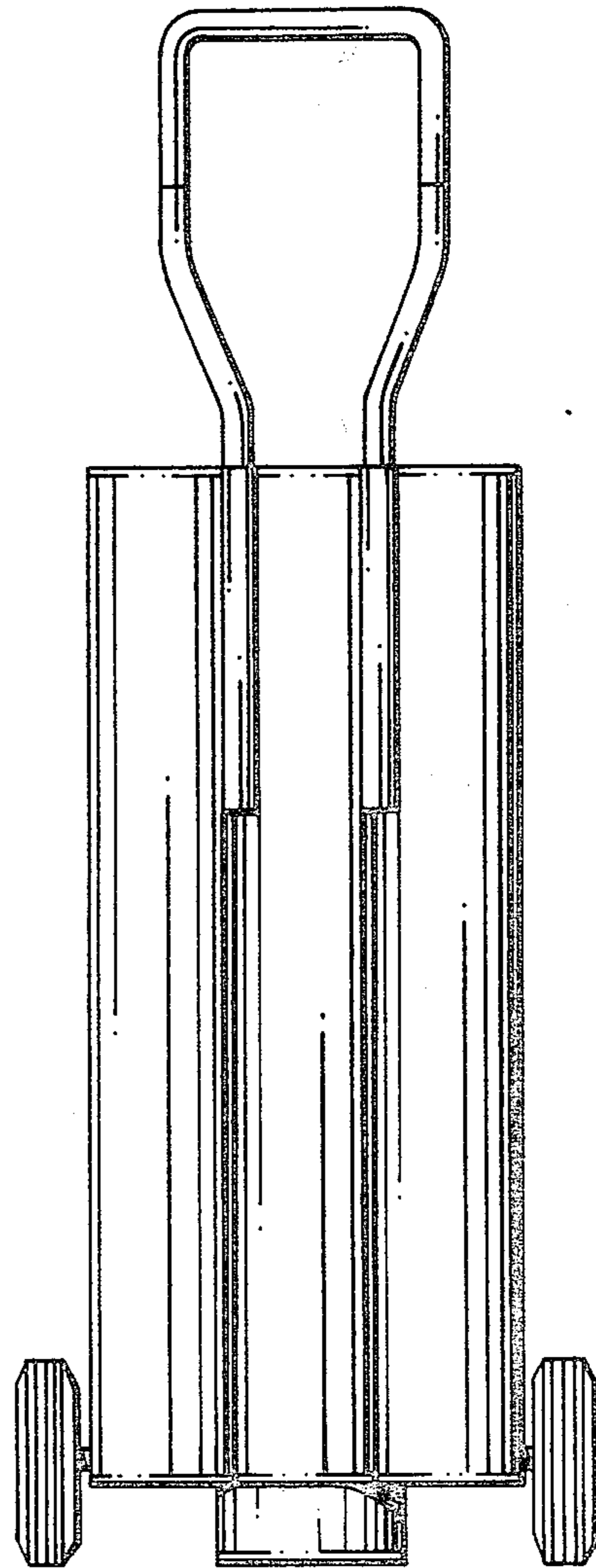


FIG. 3

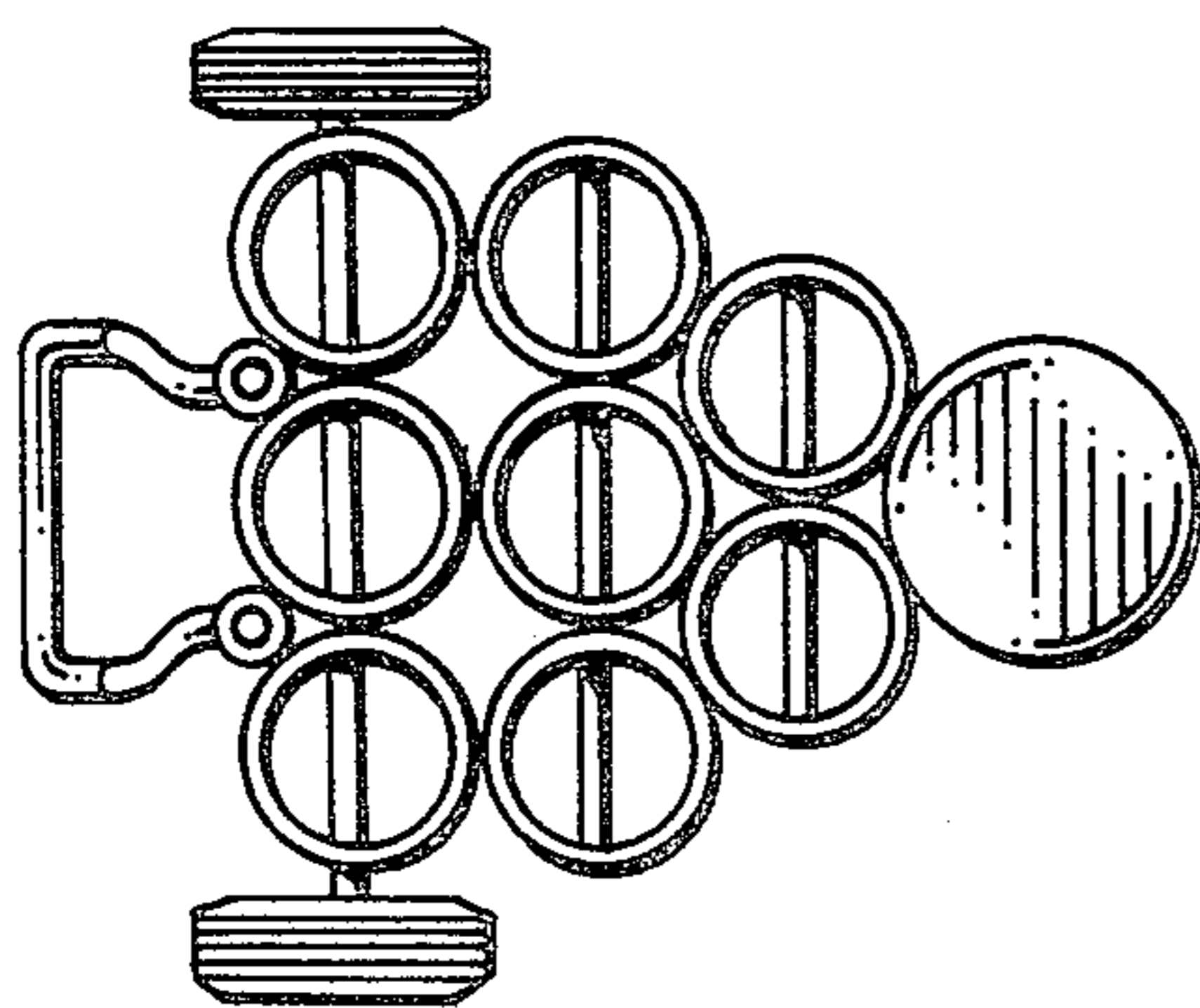


FIG. 2

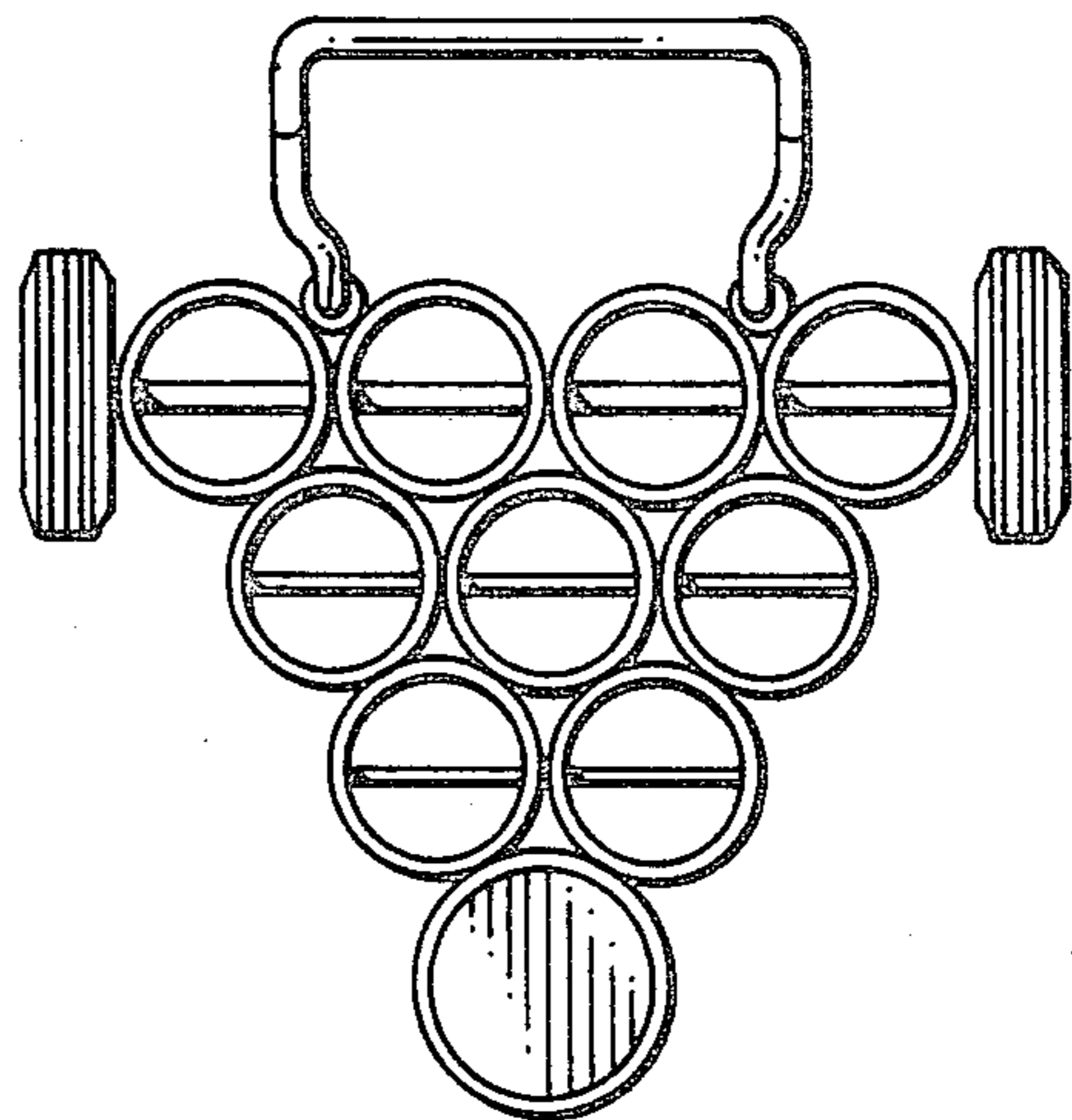


FIG. 4