

[54] SHOPPING CART

[75] Inventors: James M. Muellner, White Bear Lake; Eugene R. Pastien, Moundsview, both of Minn.

[73] Assignee: Smarte Carte, Inc., White Bear Lake, Minn.

[**] Term: 14 Years

[21] Appl. No.: 492,415

[22] Filed: May 6, 1983

[52] U.S. Cl. D34/18; D34/21

[58] Field of Search D34/18, 12, 17, 20, D34/21; 280/33.99 S, 33.99 F, 33.99 R, 62, 47.35, 79.1 A, 79.2, 79.3

[56] References Cited

U.S. PATENT DOCUMENTS

D. 263,456	3/1982	Muellner	D34/18
3,047,304	7/1962	Kampf	280/33.99 F
3,052,319	9/1962	Swanson	280/33.99 F
4,116,456	9/1978	Stover et al.	280/33.99 F

Primary Examiner—James M. Gandy

Assistant Examiner—Kay H. Chin
Attorney, Agent, or Firm—Merchant, Gould, Smith, Edell, Welter & Schmidt

[57] CLAIM

The ornamental design for a shopping cart, as shown and described.

DESCRIPTION

FIG. 1 is a perspective view of a shopping cart showing our new design;
 FIG. 2 is a top plan view thereof, showing for clarity purposes, only the top tier;
 FIG. 3 is a top plan view thereof, taken generally along the lines 3—3 in FIG. 1, showing, for clarity purposes, only the second tier;
 FIG. 4 is a top plan view thereof, taken generally along the lines 4—4 in FIG. 1, showing, for clarity purposes, the bottom tier only;
 FIG. 5 is a bottom plan view thereof, showing, for clarity purposes, only the lower tier;
 FIG. 6 is a right side elevational view thereof, the left side elevational view being a mirror image of FIG. 6;
 FIG. 7 is a front elevational view thereof; and
 FIG. 8 is a rear elevational view thereof.

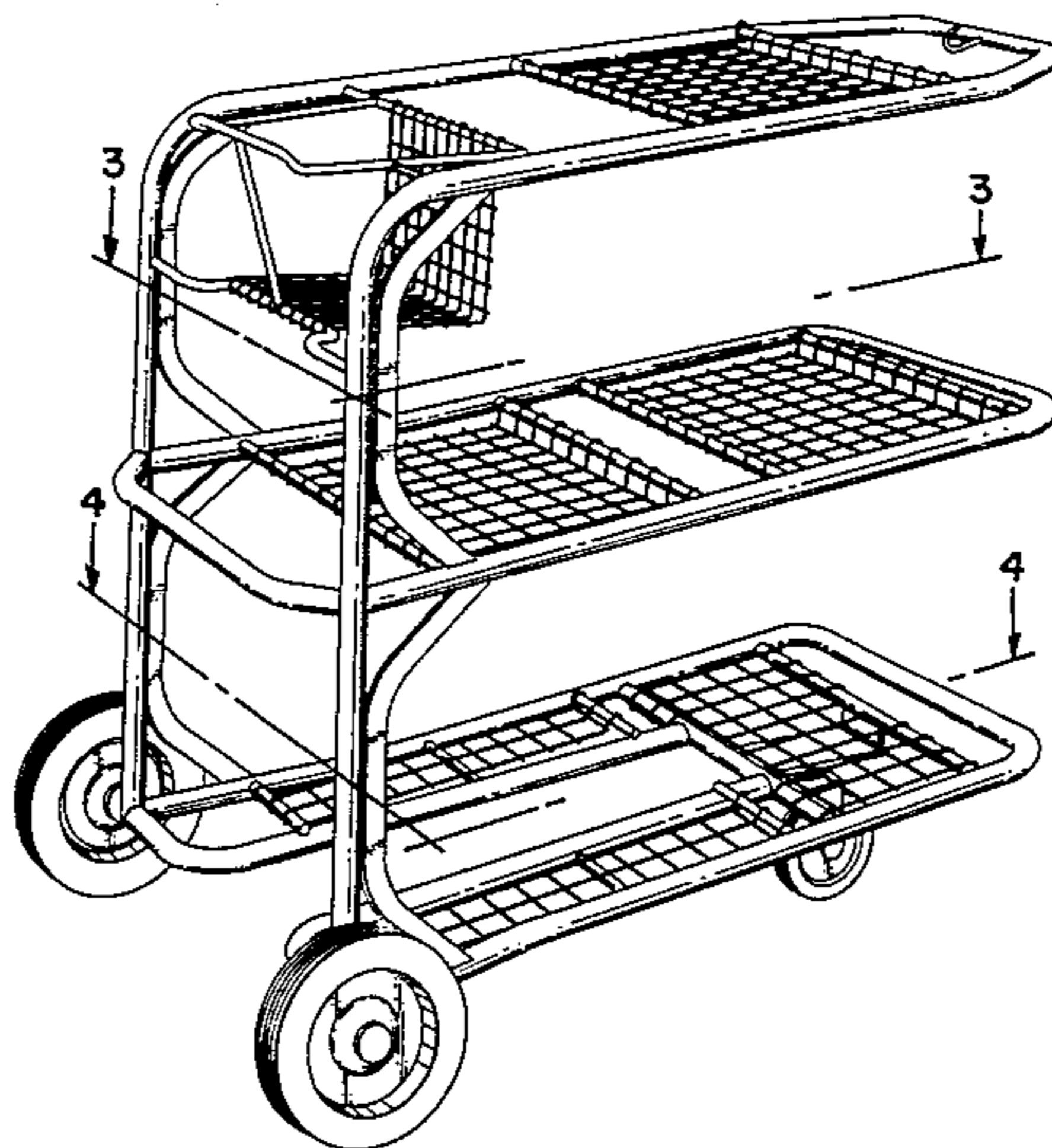


FIG. 1

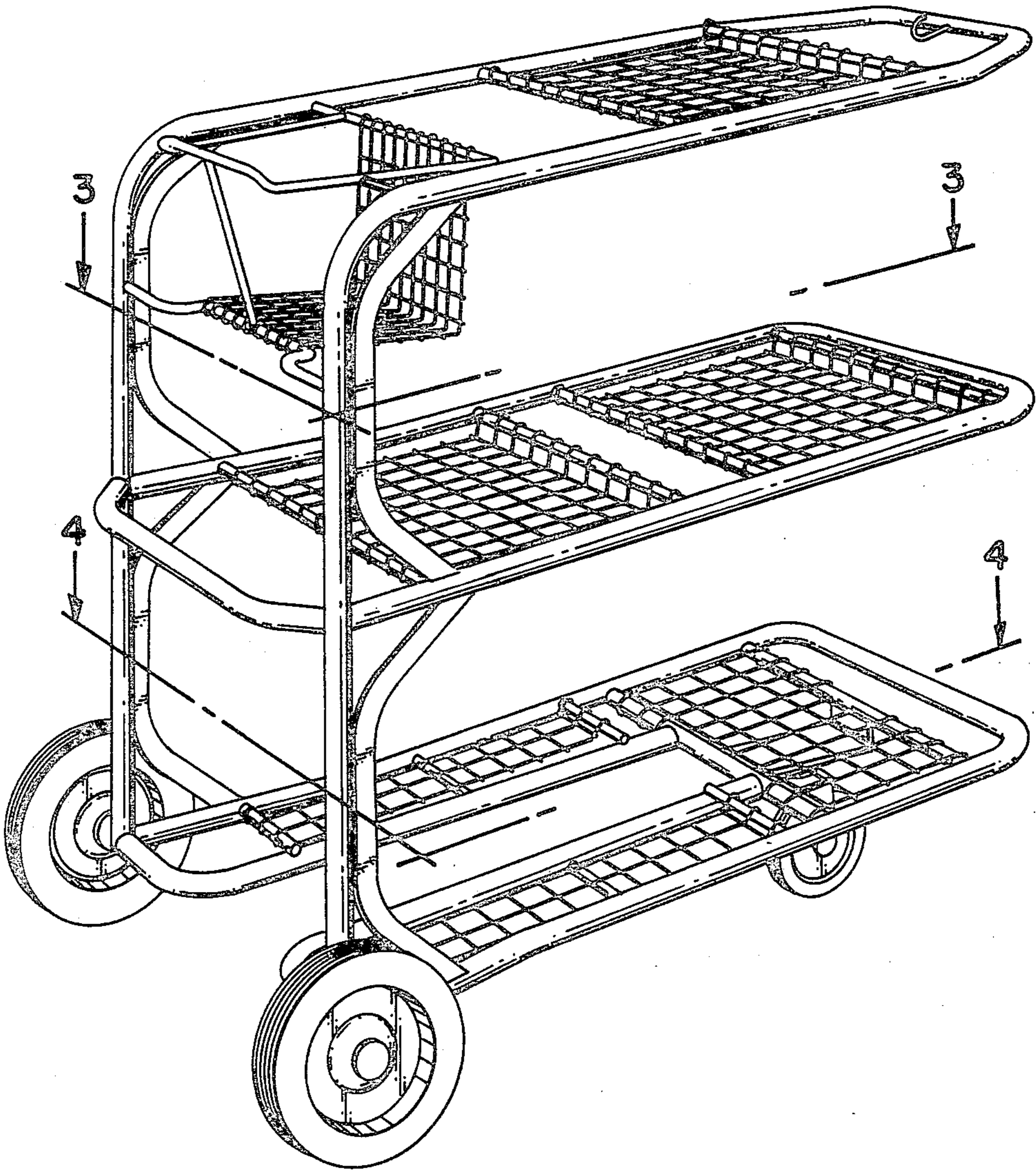


FIG. 2

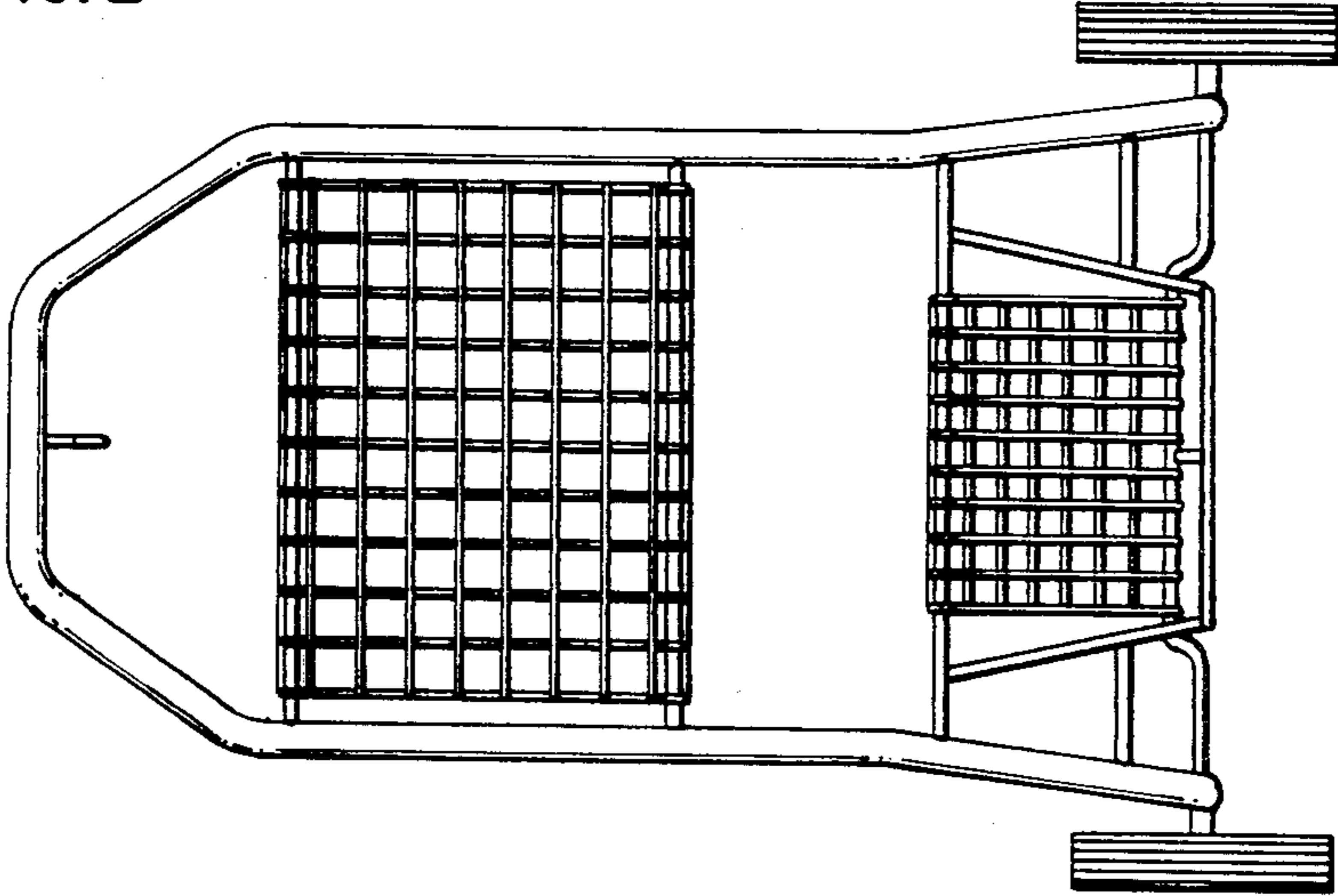


FIG. 3

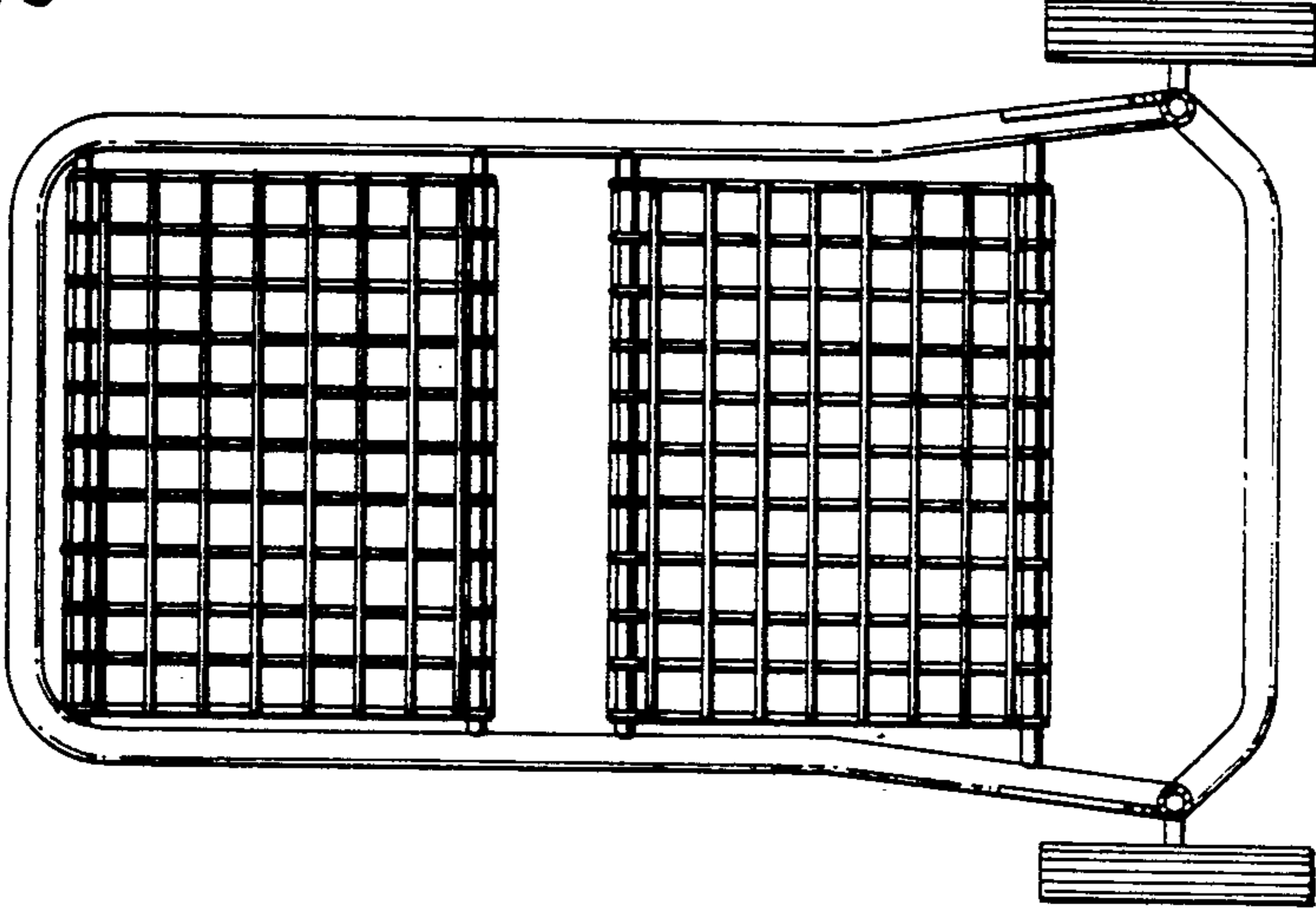


FIG. 4

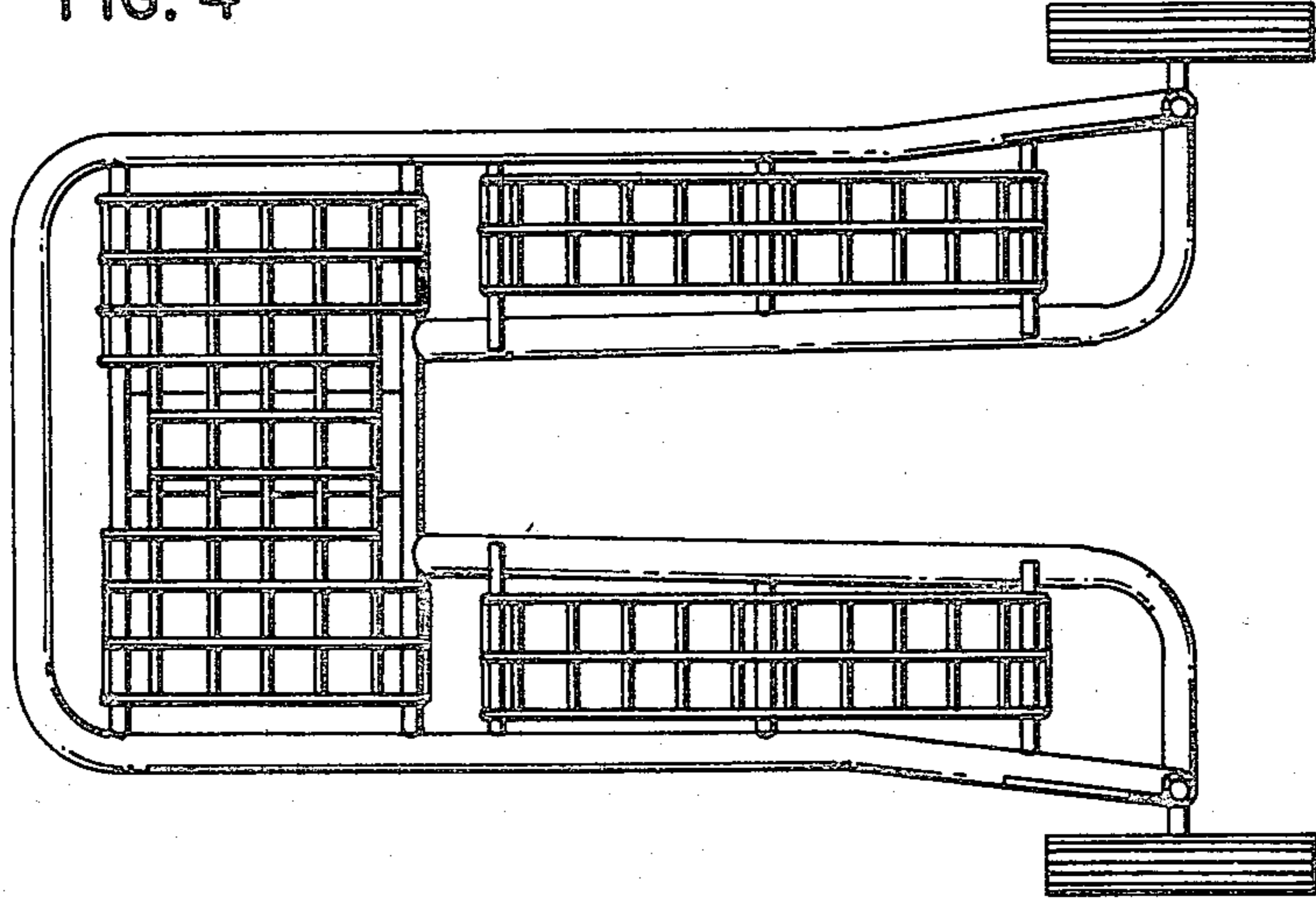


FIG. 5

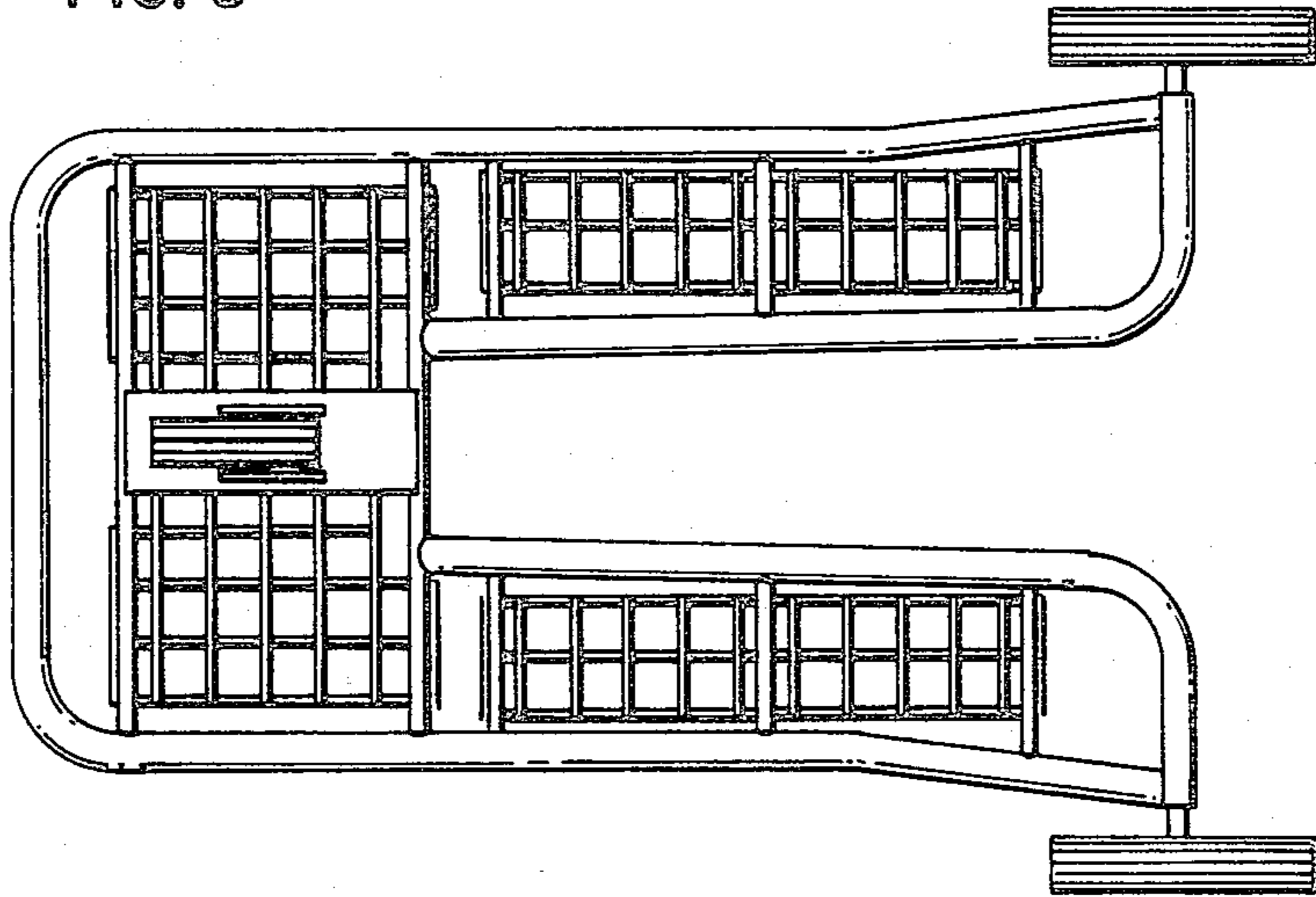


FIG. 7

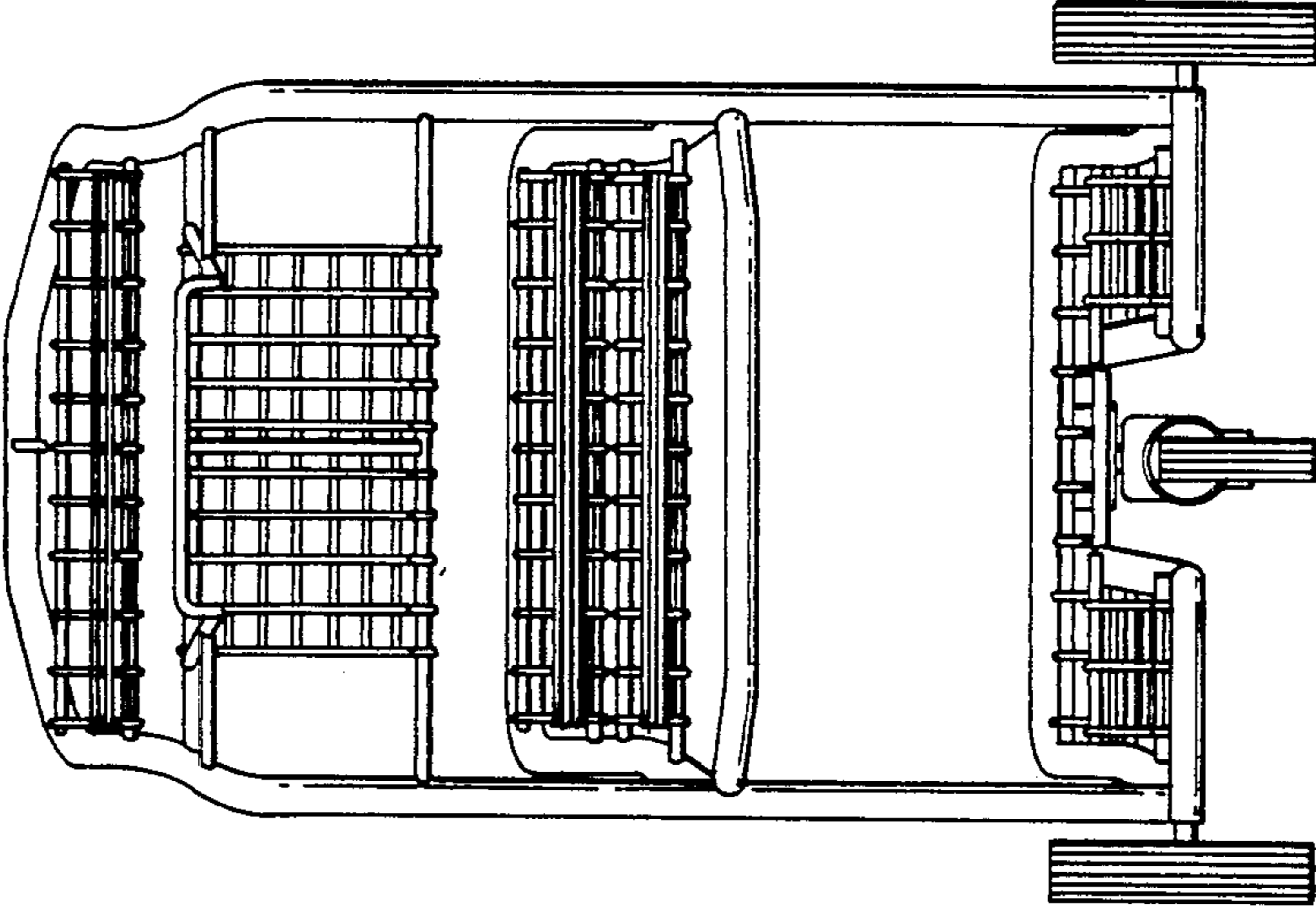


FIG. 6

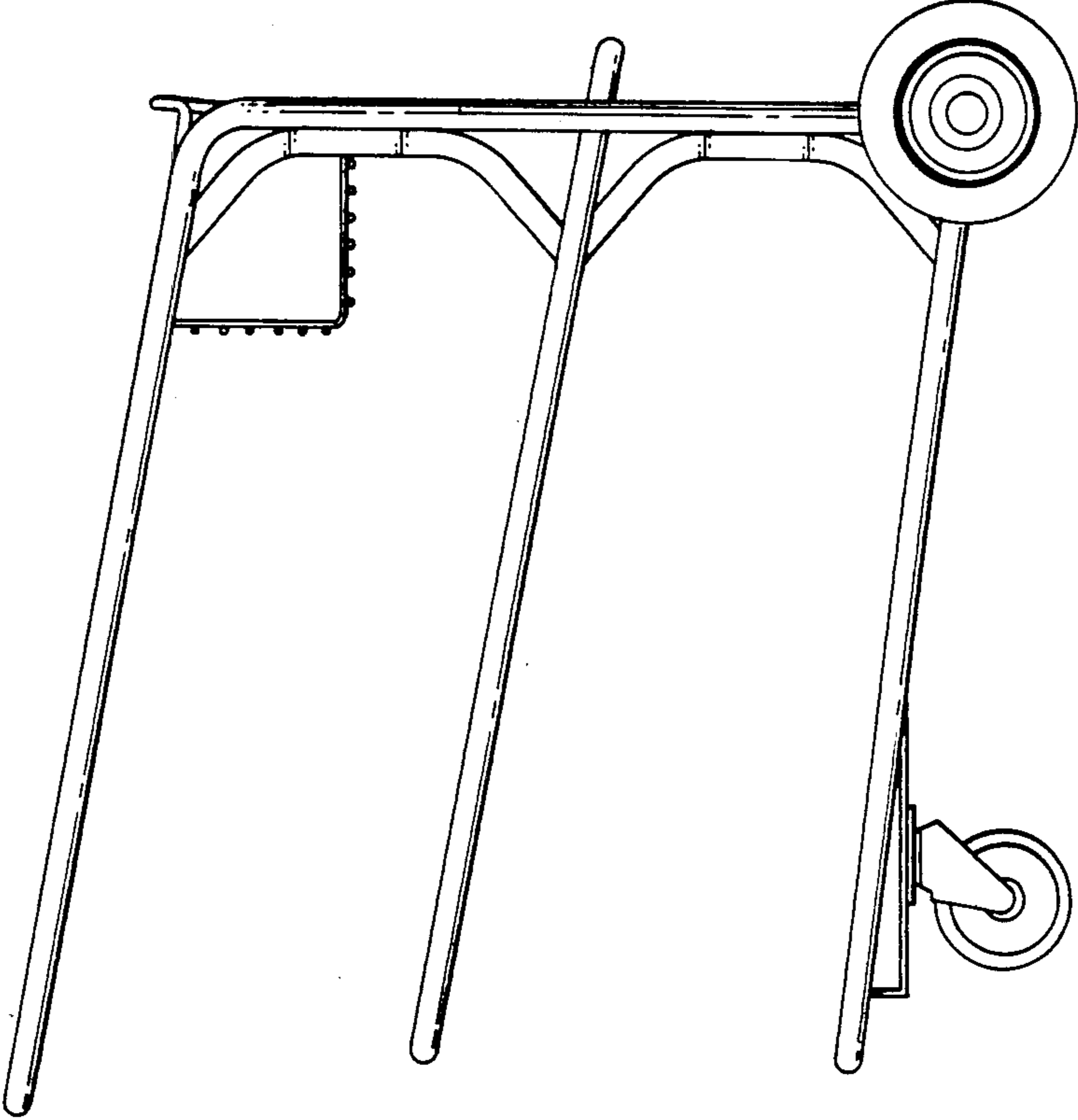


FIG. 8

