

[54] **PAINT TRAY HAVING SUPPORT LEGS**

[75] **Inventor: Morley L. Smith, Beaconsfield, Canada**

[73] **Assignee: T. S. Simms & Co., Limited, Saint John, Canada**

[\*\*] **Term: 14 Years**

[21] **Appl. No.: 507,983**

[22] **Filed: Jun. 27, 1983**

[52] **U.S. Cl. .... D32/53.1**

[58] **Field of Search ..... D32/53.1; 15/257.06**

[56] **References Cited**

**U.S. PATENT DOCUMENTS**

D. 264,897 6/1982 Smith ..... D32/53.1

3,157,902 11/1964 Hardwick ..... 15/257.06

**FOREIGN PATENT DOCUMENTS**

1352969 5/1974 United Kingdom ..... 15/257.06

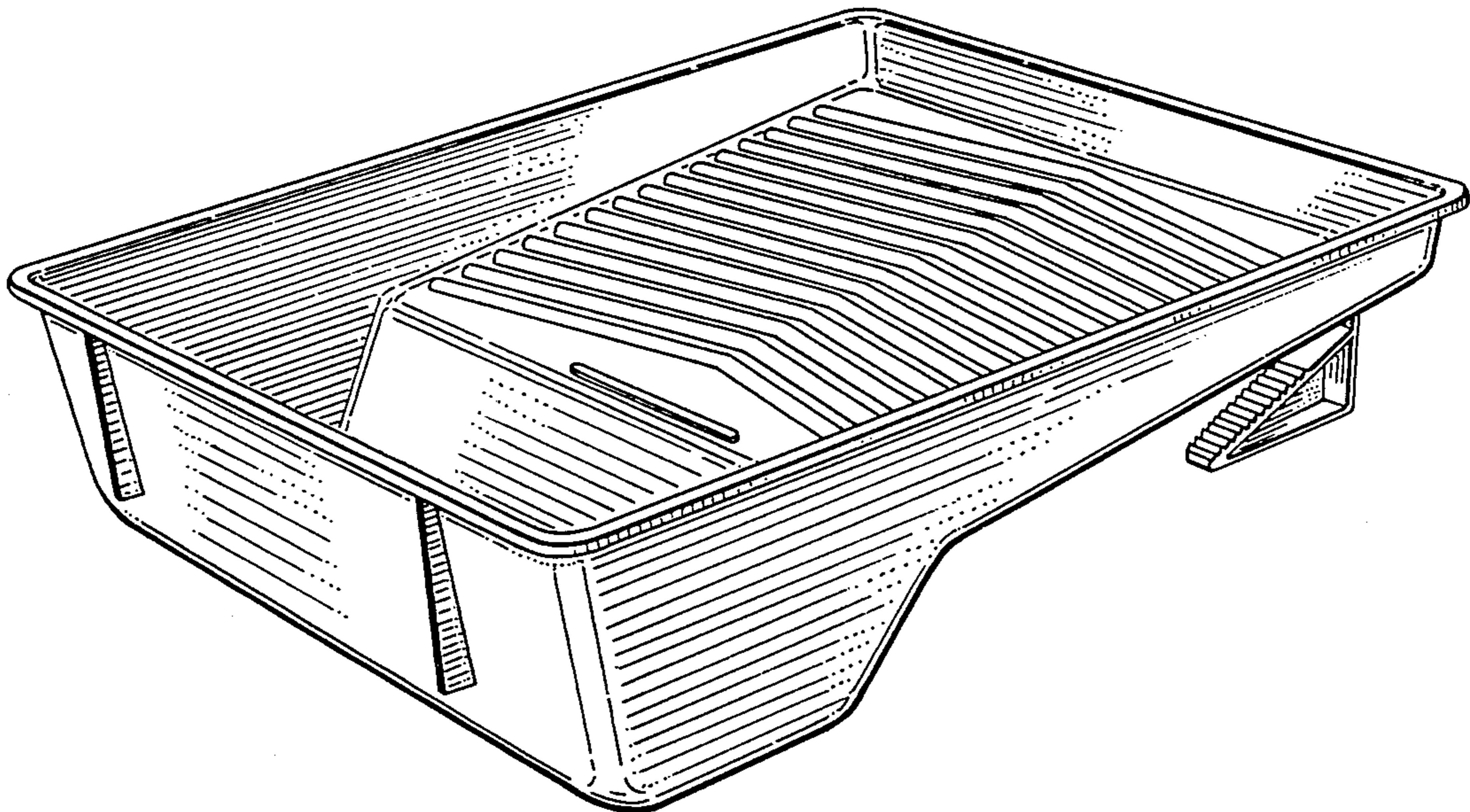
*Primary Examiner*—Catherine E. Kemper  
*Attorney, Agent, or Firm*—Fetherstonhaugh & Co.

[57] **CLAIM**

The ornamental design for a paint tray having support legs, as shown and described.

**DESCRIPTION**

FIG. 1 is a top perspective view of a paint tray having support legs, showing my new design;  
FIG. 2 is a bottom perspective view thereof;  
FIG. 3 is a top plan view thereof;  
FIG. 4 is a sectional view taken along line 4—4 of FIG. 3.



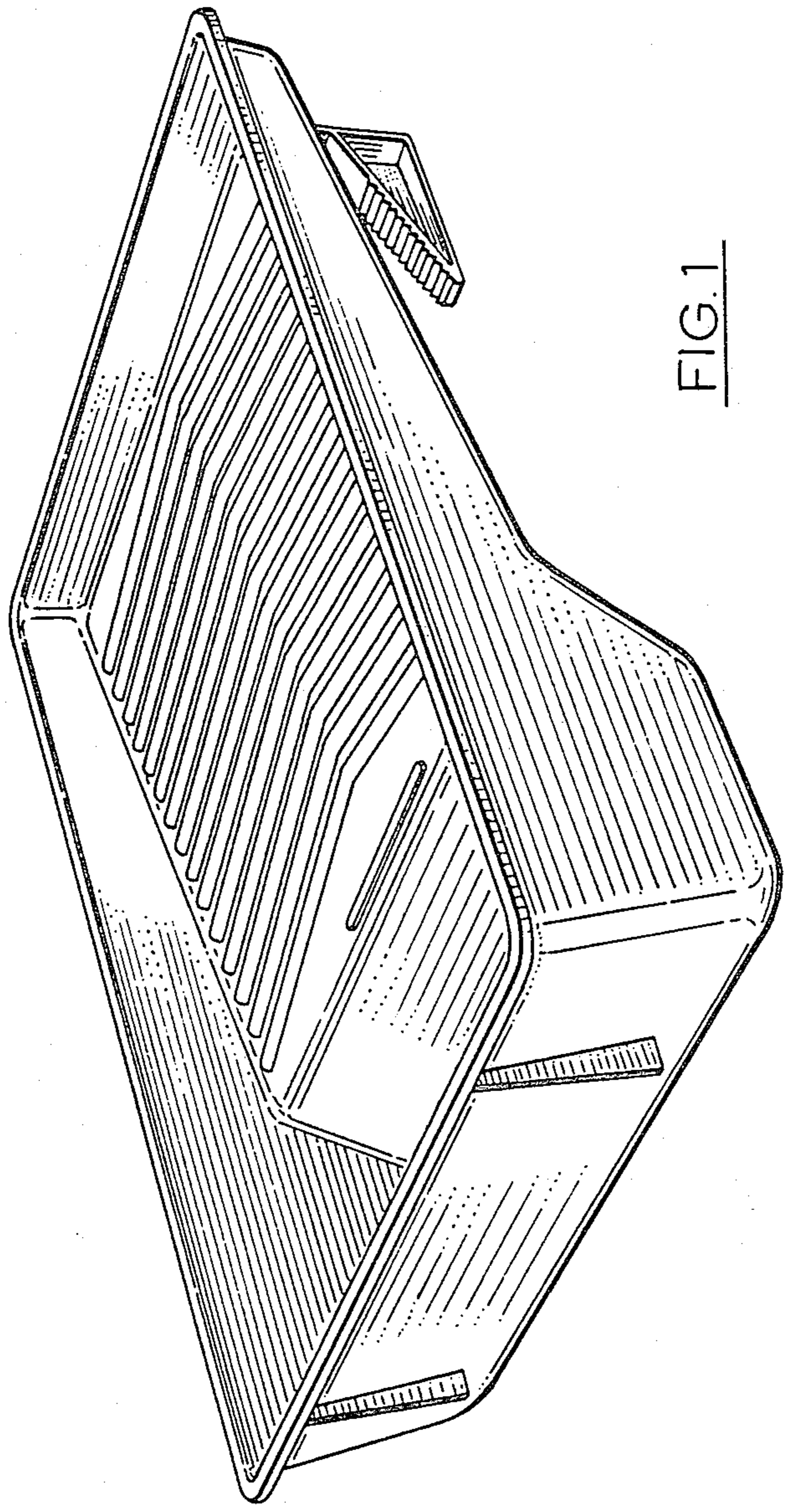


FIG. 1

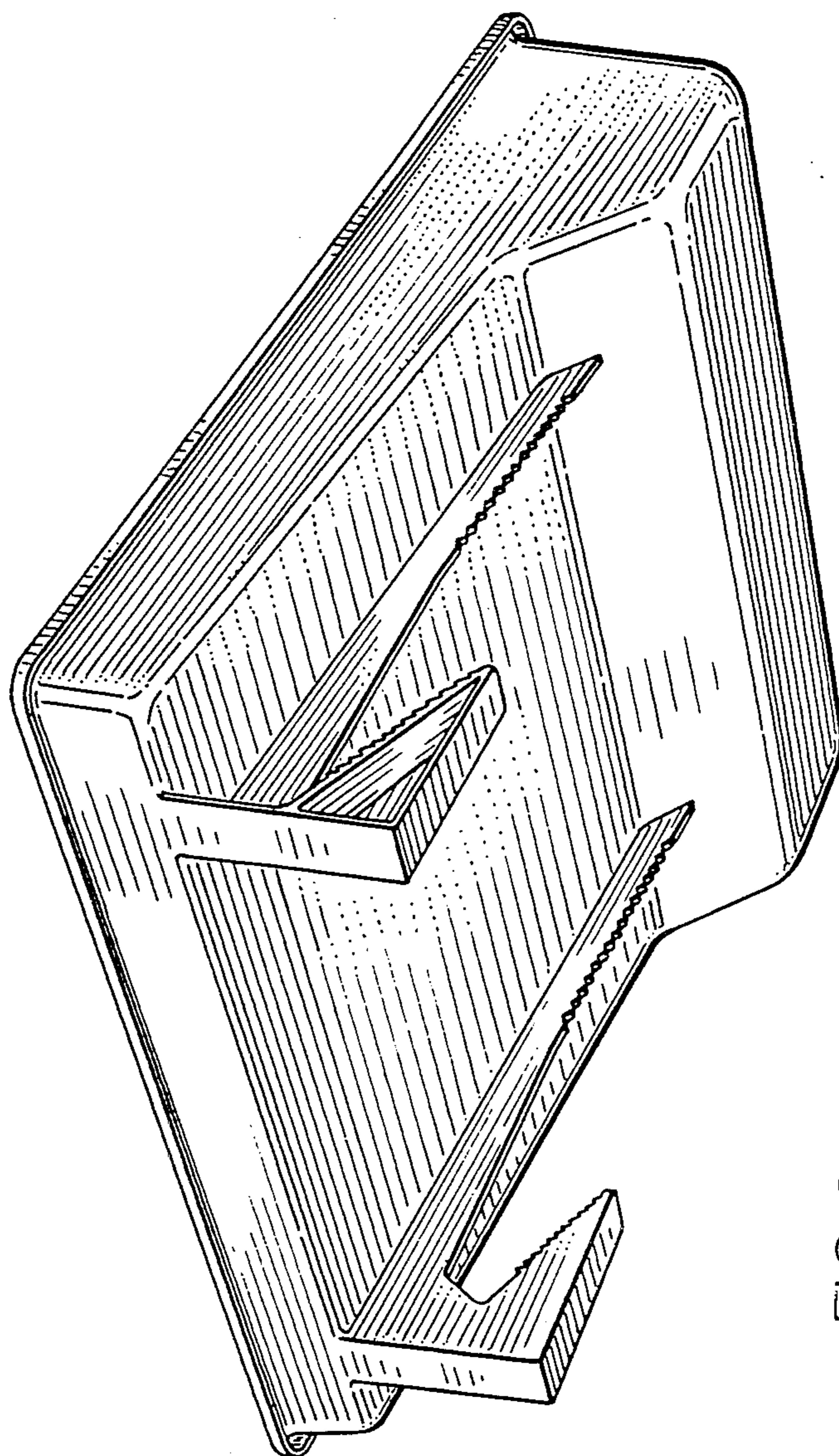


FIG. 2

FIG. 3

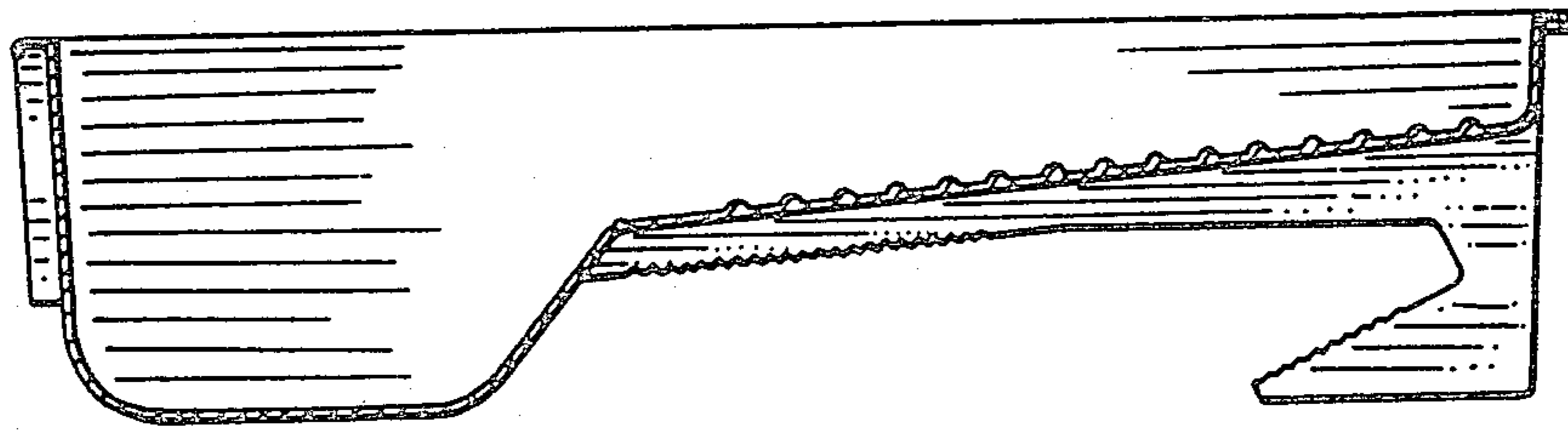
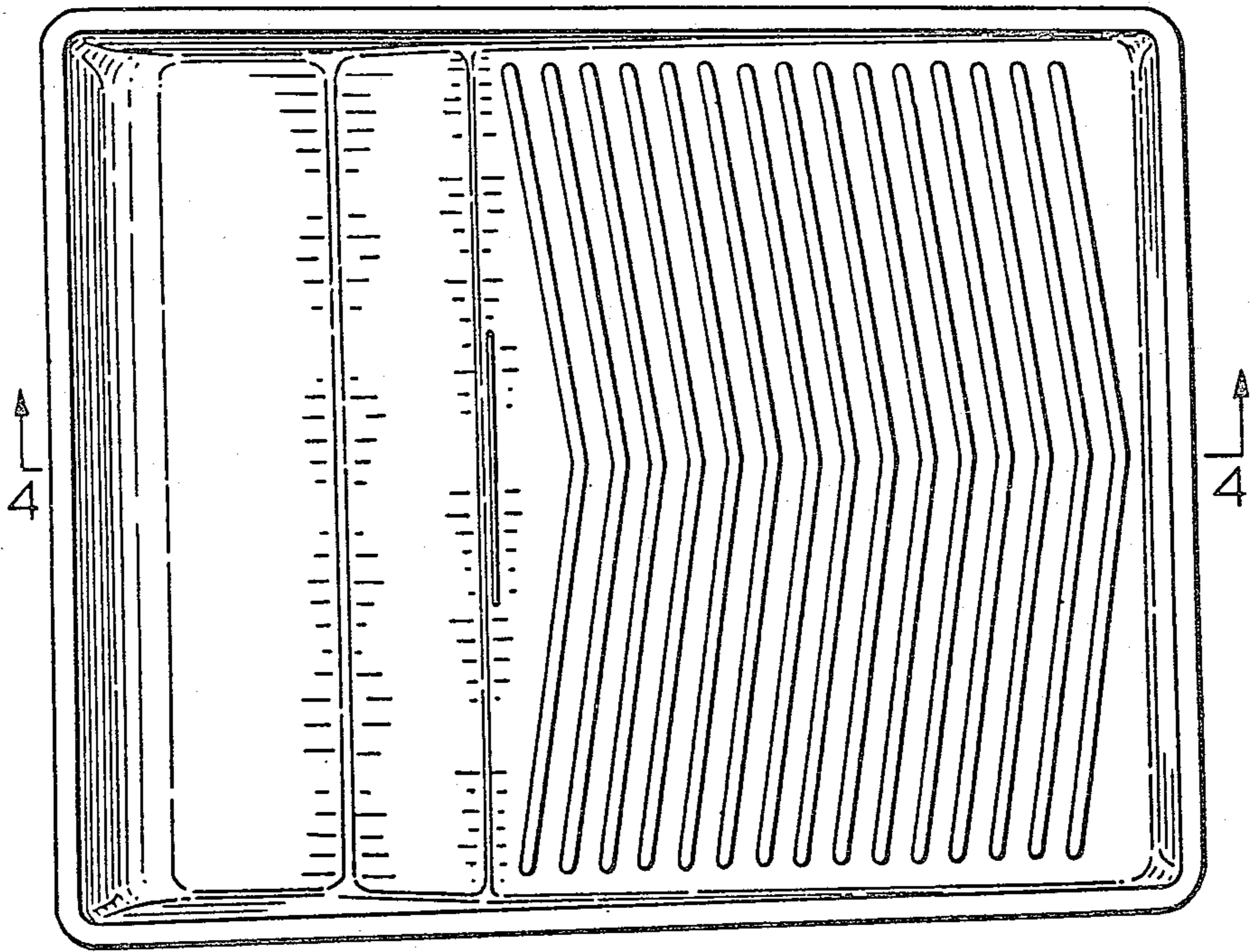


FIG. 4