

[54] **DECORATIVE LIGHT DISPLAY**

[76] **Inventors:** Michael B. Merino, deceased, late of La Mesa, Calif.; by Ronald A. Merino, executor, AFROTC-DET 75, San Diego State University, San Diego, Calif. 92182

[**] **Term:** 14 Years

[21] **Appl. No.:** 484,576

[22] **Filed:** Apr. 13, 1983
[52] **U.S. Cl.** D26/102
[58] **Field of Search** D26/93, 94, 102-112, D26/101; 362/410, 411, 412, 414, 431, 806, 252, 250, 246

[56] **References Cited**

U.S. PATENT DOCUMENTS

2,631,409 3/1953 Windiate D26/101 X
4,161,021 7/1979 George, Jr. 362/806 X

OTHER PUBLICATIONS

Interiors, 2-1971, p. 119, Lamp, #18.

Primary Examiner—Susan J. Lucas

Attorney, Agent, or Firm—J. Michael McClanahan

[57] **CLAIM**

The ornamental design for a decorative light display, as shown.

DESCRIPTION

FIG. 1 is a perspective view of a decorative light display showing my new design;
FIG. 2 is a top plan view thereof;
FIG. 3 is a side elevational view thereof;
FIG. 4 is a bottom plan view thereof.

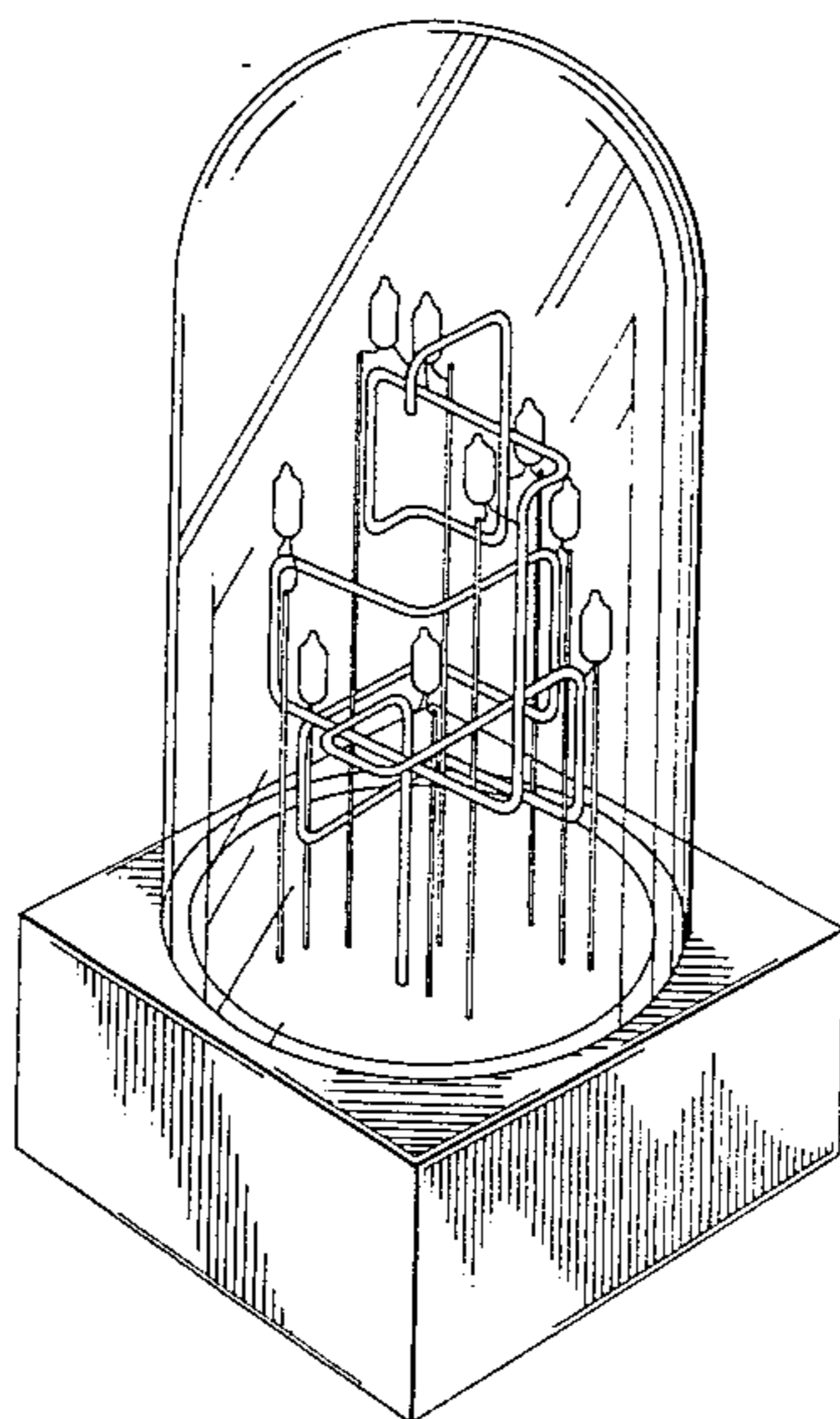


FIG. 1

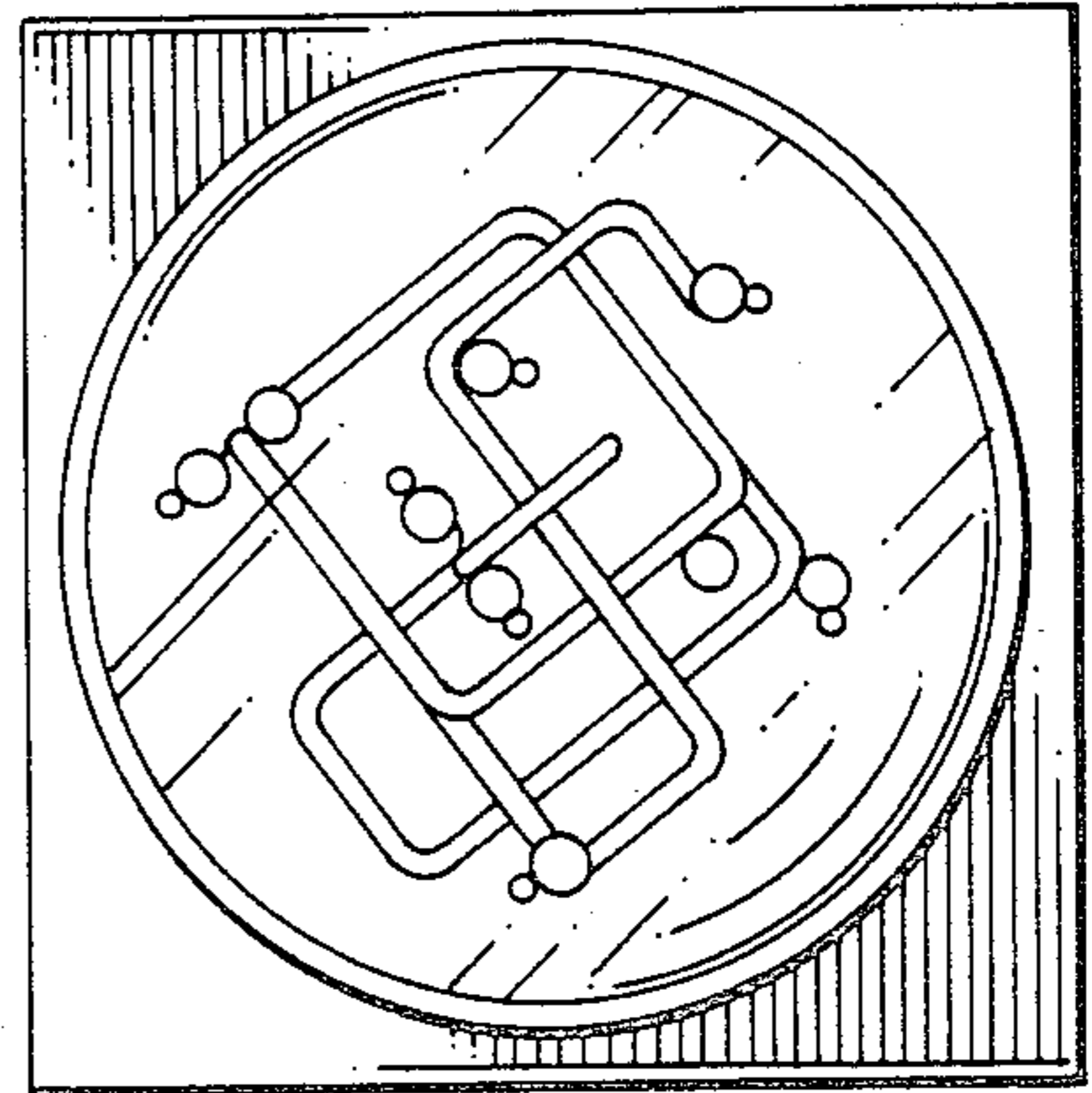
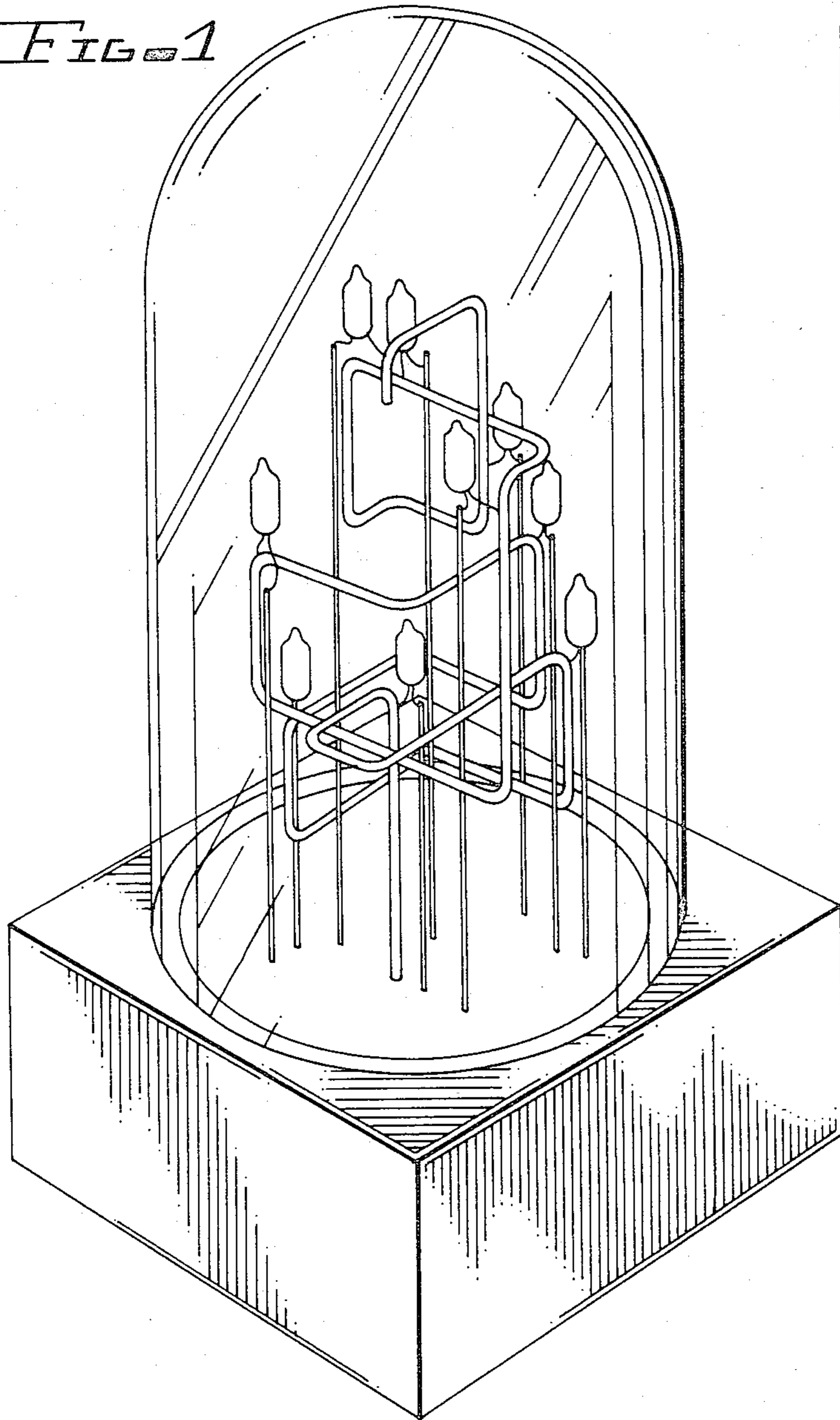


FIG. 2

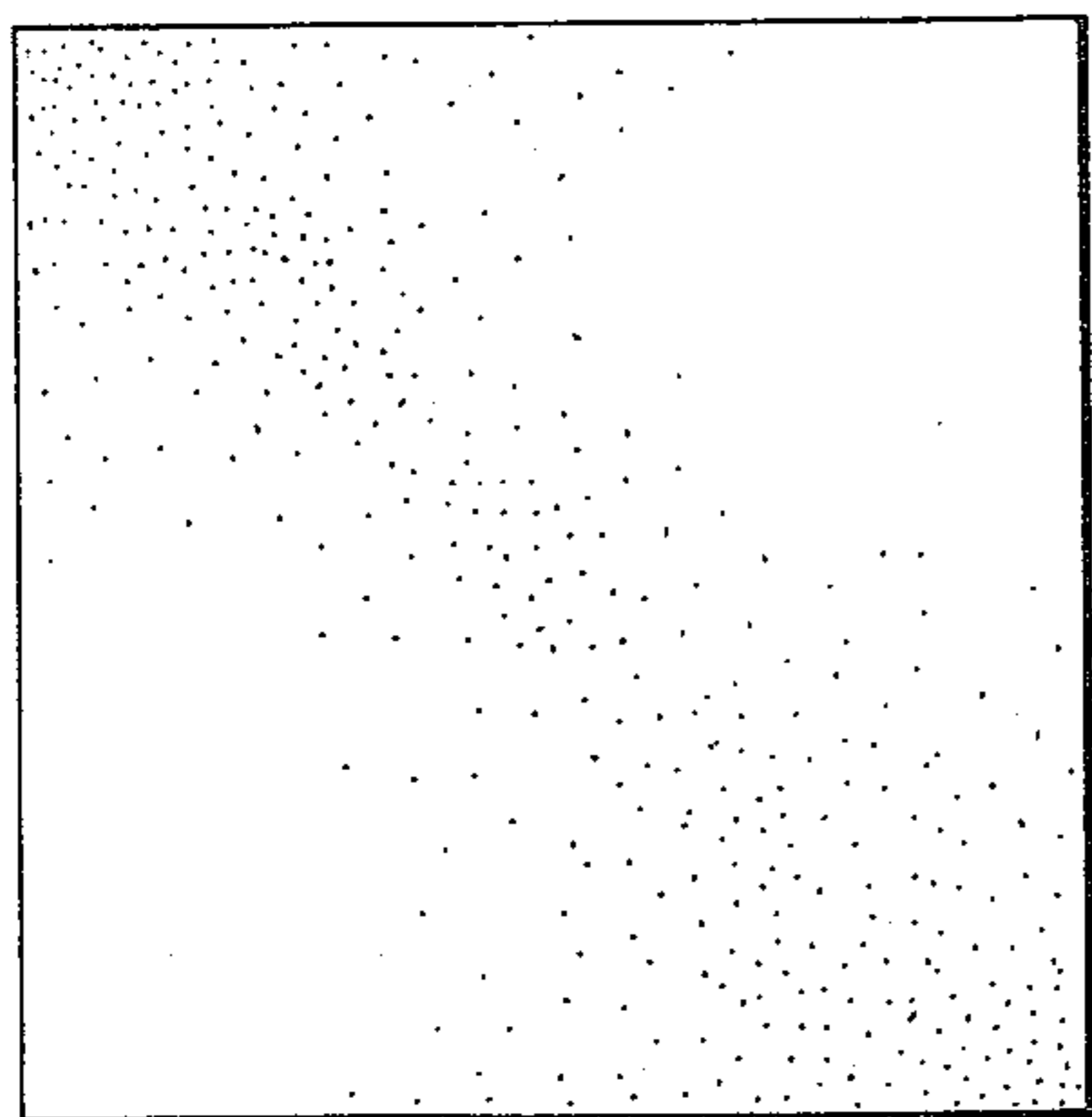


FIG. 3

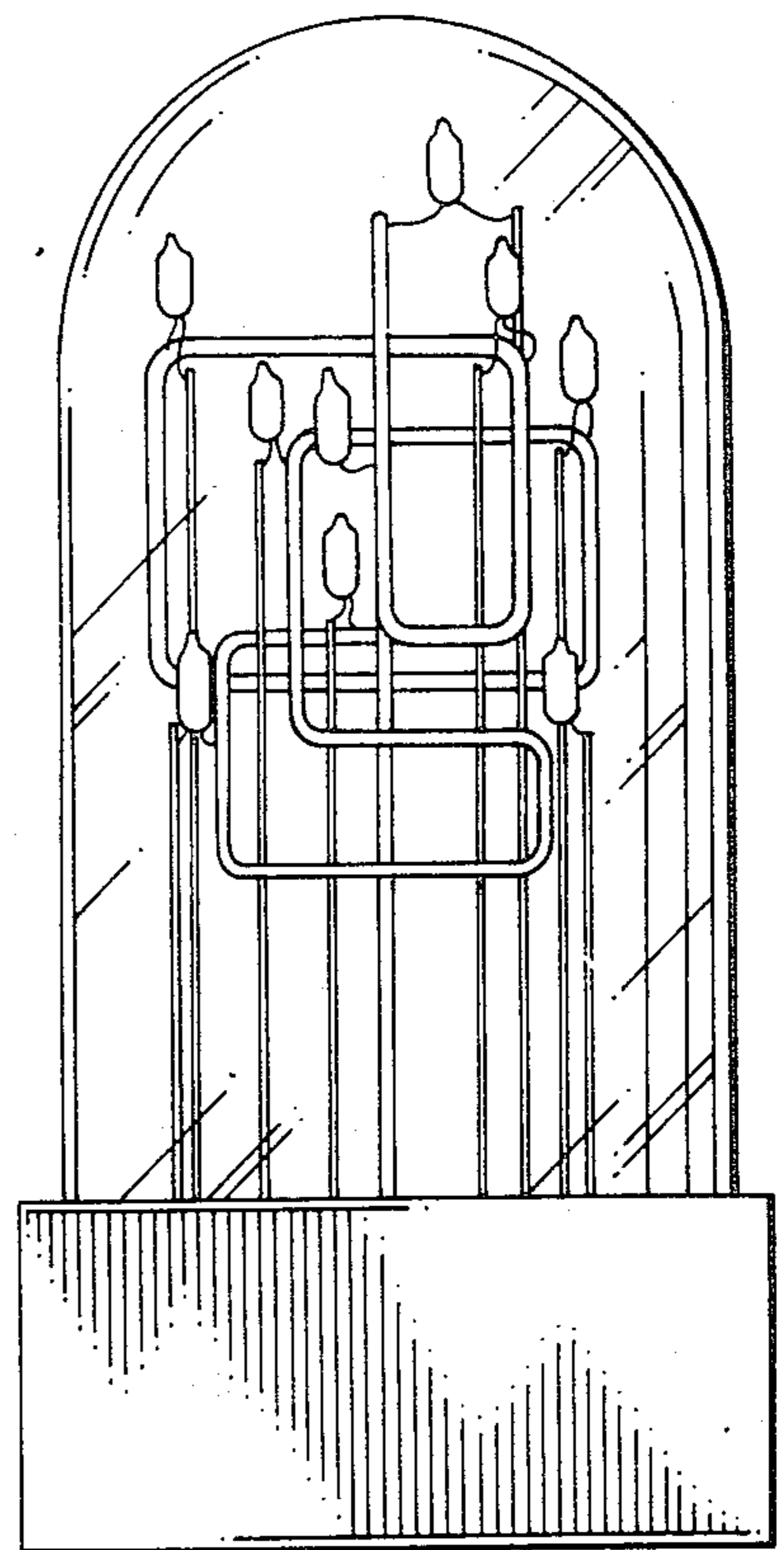


FIG. 4