

[54] IN-LINE TRANSPARENT DRIPPER VALVE

[76] Inventor: Mitchell E. Maddock, Rte. 1, Box 24AA, Florence, Ariz. 85232

[\*\*] Term: 14 Years

[21] Appl. No.: 442,142

[22] Filed: Nov. 12, 1982

[52] U.S. Cl. .... D23/22; D24/53

[58] Field of Search ..... D23/4, 19, 22; D24/52, D24/53; 128/278; 251/5, 6; 137/846

[56] References Cited

U.S. PATENT DOCUMENTS

D. 232,086	7/1974	Graham	.....	D24/53
D. 239,283	3/1976	Villari	.....	D24/53
D. 269,633	7/1983	Willinger et al.	.....	D23/4
D. 276,369	11/1984	Clawson et al.	.....	D24/53
3,517,669	6/1970	Buono et al.	.....	D24/53
4,303,100	12/1981	Kalb	.....	251/5

FOREIGN PATENT DOCUMENTS

942492 9/1948 France ..... D24/52

Primary Examiner—Wallace R. Burke  
Assistant Examiner—Lynn Wilder  
Attorney, Agent, or Firm—Richard R. Mybeck

[57] CLAIM

The ornamental design for an in-line transparent dripper valve, as shown.

DESCRIPTION

FIG. 1 is a perspective view showing the top, front and right side of an in-line transparent dripper valve showing my invention.

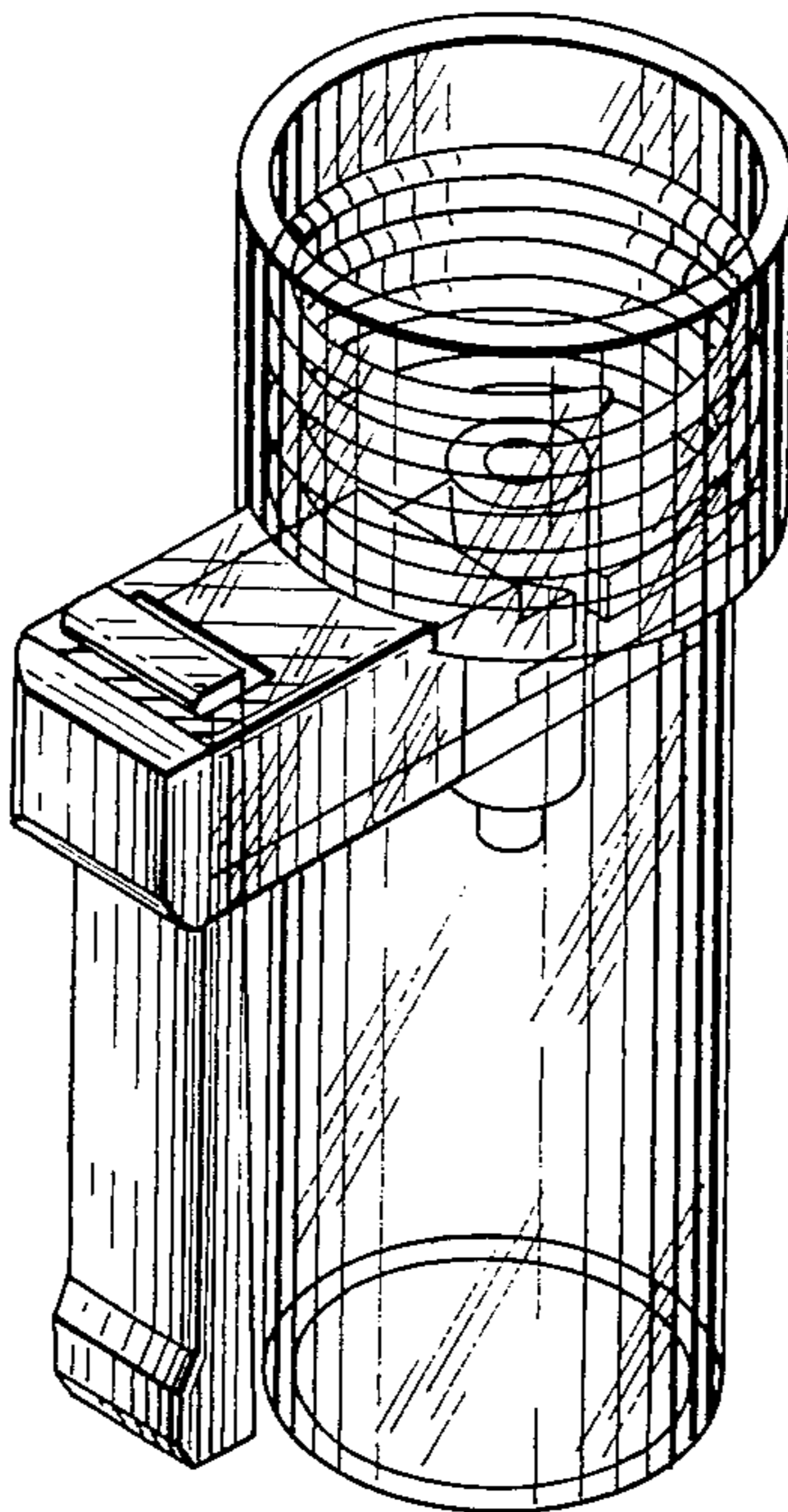
FIG. 2 is a front elevational view thereof.

FIG. 3 is a right side elevational view thereof.

FIG. 4 is a left side elevational view thereof.

FIG. 5 is a top plan view thereof.

FIG. 6 is a bottom plan view thereof.



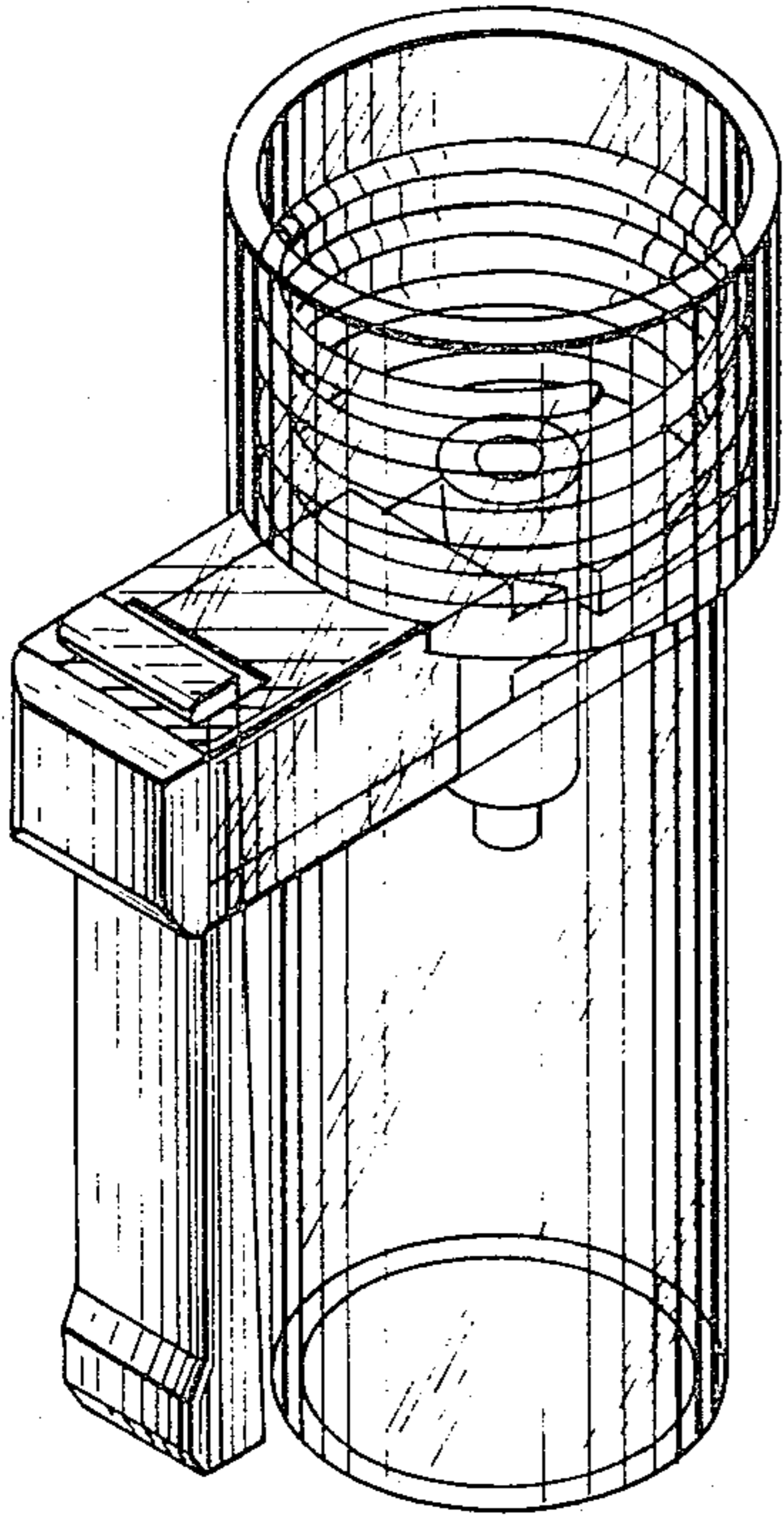


FIG. 1

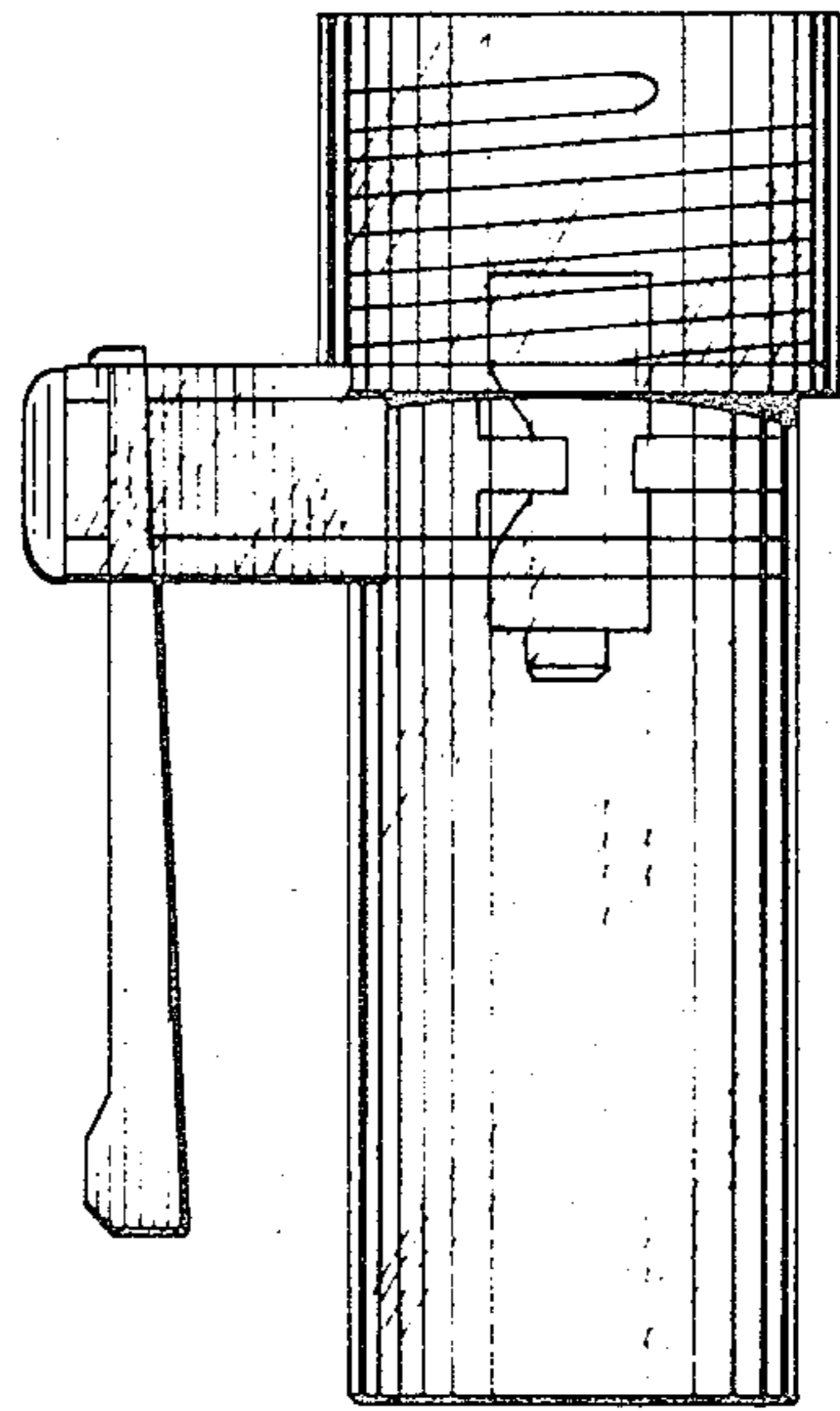


FIG. 3

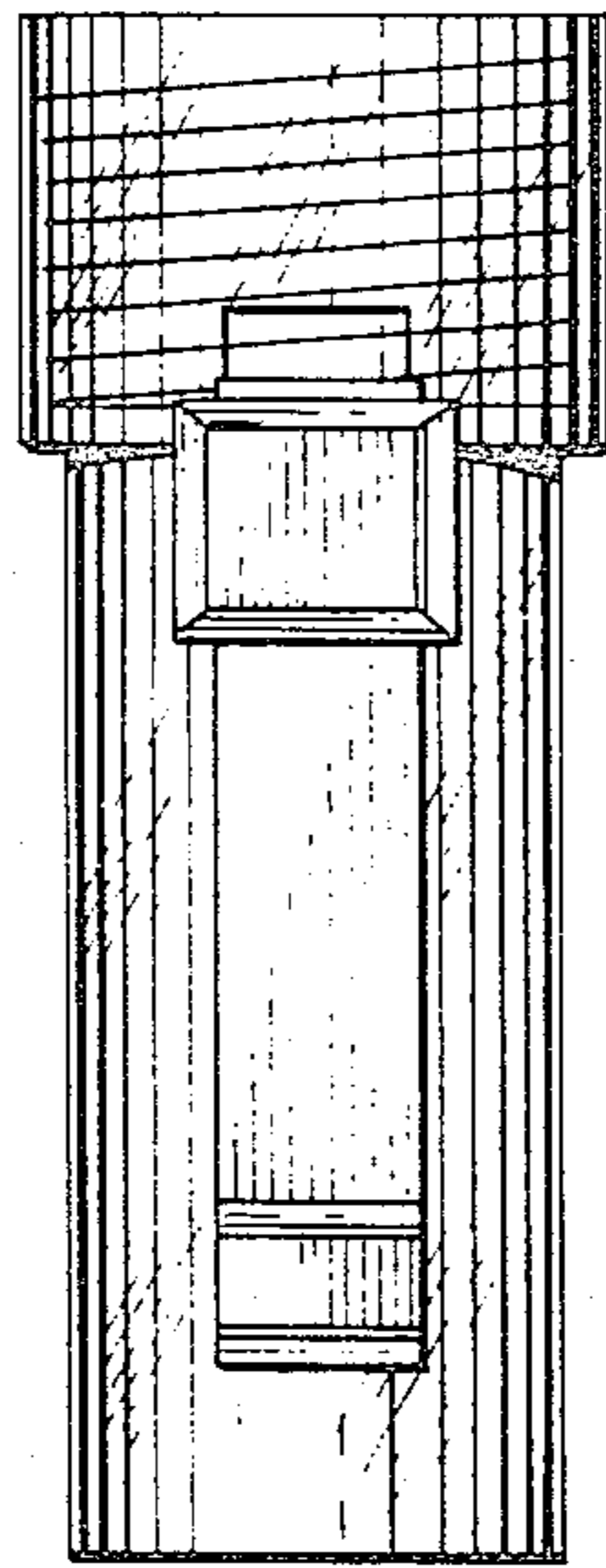


FIG. 2

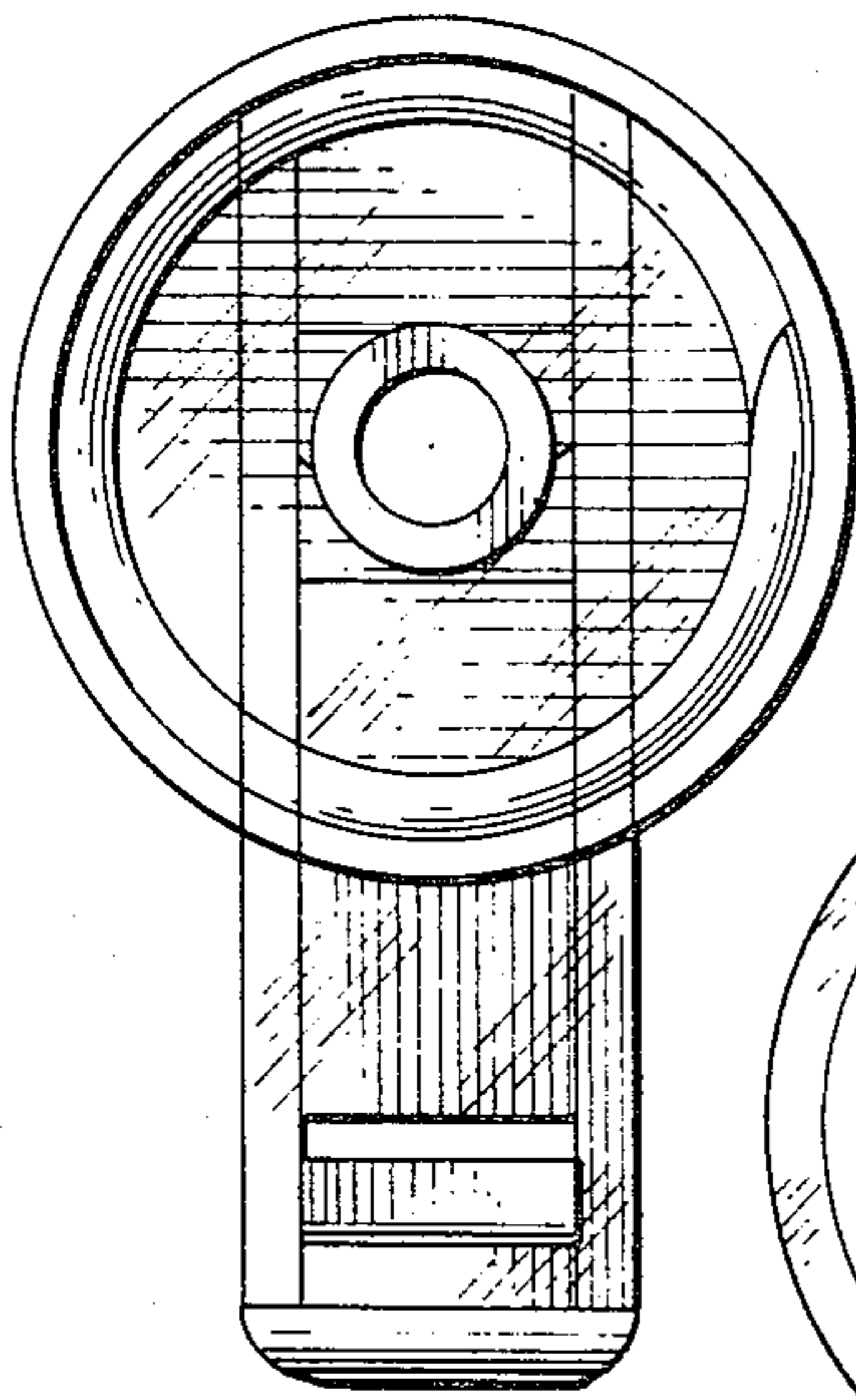


FIG. 5

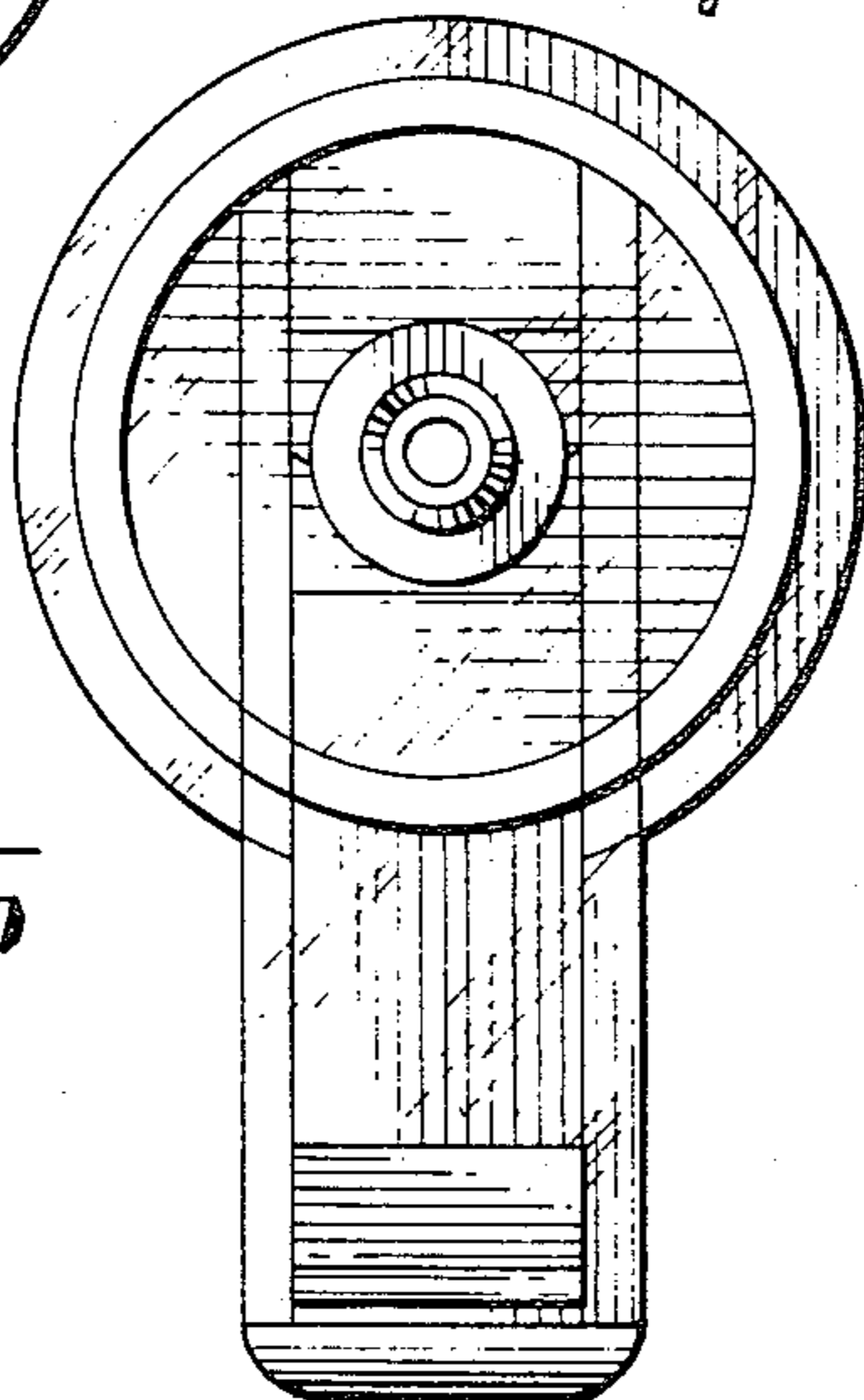


FIG. 6

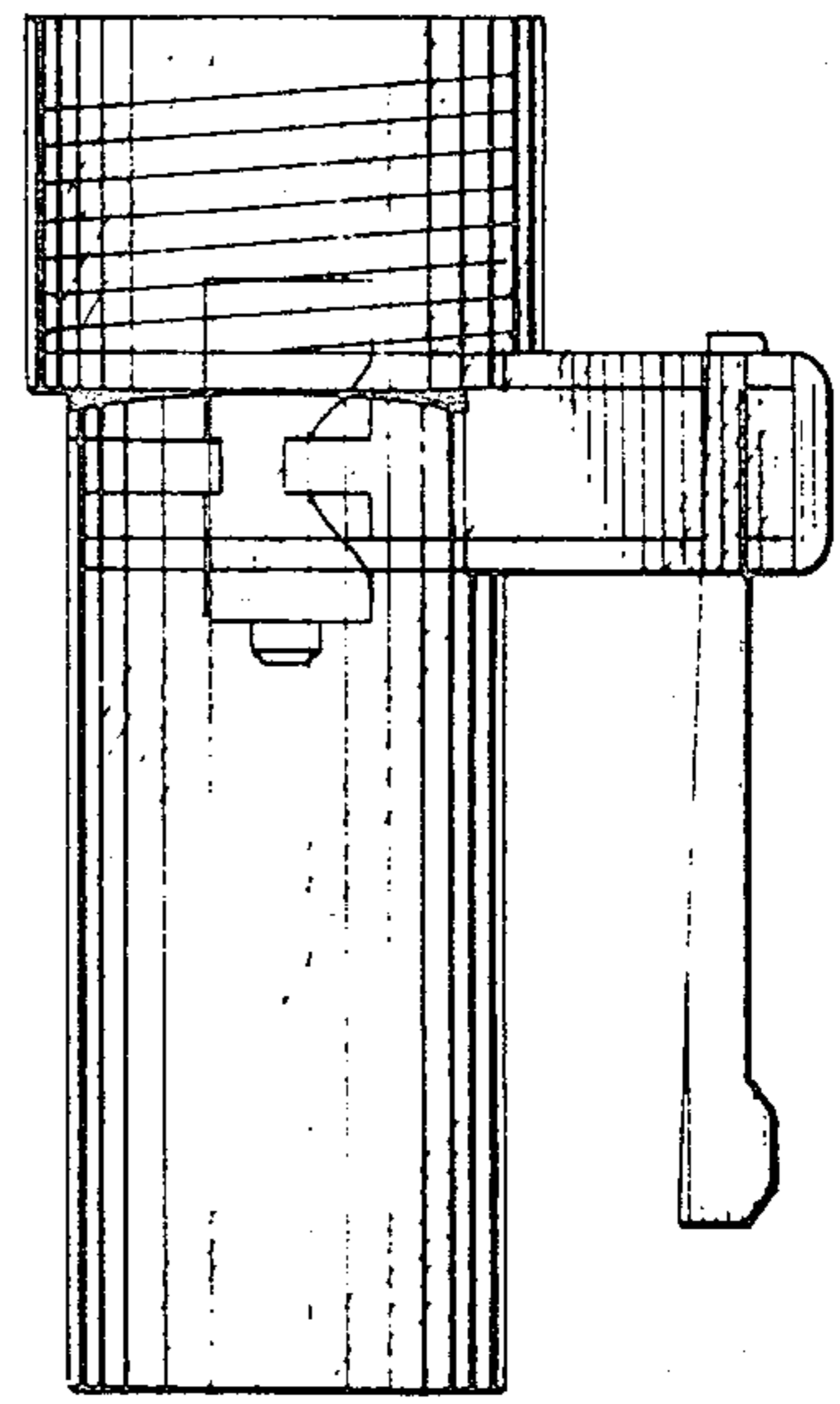


FIG. 4