

United States Patent [19]

Sakamoto et al.

[11] Patent Number: **Des. 280,846**

[45] Date of Patent: **** Oct. 1, 1985**

[54] **FISHING REEL**

[75] Inventors: **Masakazu Sakamoto; Takeshi Shohoji**, both of Funabashi, Japan

[73] Assignee: **Ryobi Limited**, Hiroshima, Japan

[**] Term: **14 Years**

[21] Appl. No.: **478,076**

[22] Filed: **Mar. 23, 1983**

[52] U.S. Cl. **D22/25**

[58] Field of Search **D22/25; 242/84.1 R, 242/84.1 J, 84.2 R**

[56] **References Cited**

U.S. PATENT DOCUMENTS

- D. 255,702 7/1980 Iinuma D22/25
- D. 258,904 4/1981 Myojo D22/25
- D. 265,497 7/1982 Sakamoto et al. D22/25

D. 266,184 9/1982 Iinuma et al. D22/25

Primary Examiner—A. Hugo Word
Attorney, Agent, or Firm—Frishauf, Holtz, Goodman & Woodward

[57] **CLAIM**

The ornamental design for a fishing reel, as shown and described.

DESCRIPTION

FIG. 1 is a front-left side perspective view of a fishing reel showing our new design:

FIG. 2 is a bottom-right side perspective view thereof;

FIG. 3 is a left side elevational view thereof;

FIG. 4 is a right side elevational view thereof;

FIG. 5 is a top plan view thereof;

FIG. 6 is a bottom plan view thereof;

FIG. 7 is a front elevational view thereof; and

FIG. 8 is a rear elevational view thereof.

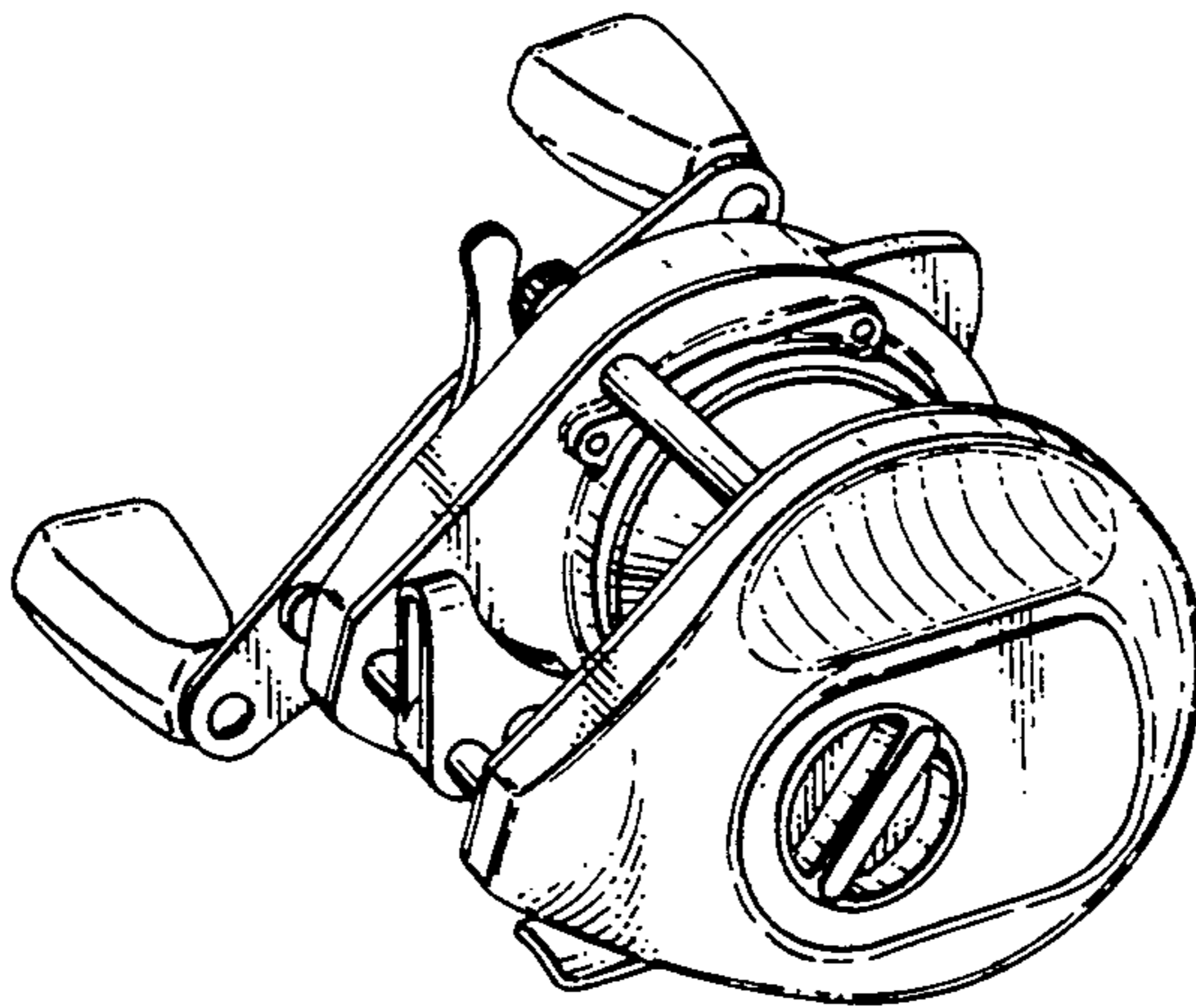


FIG. 1

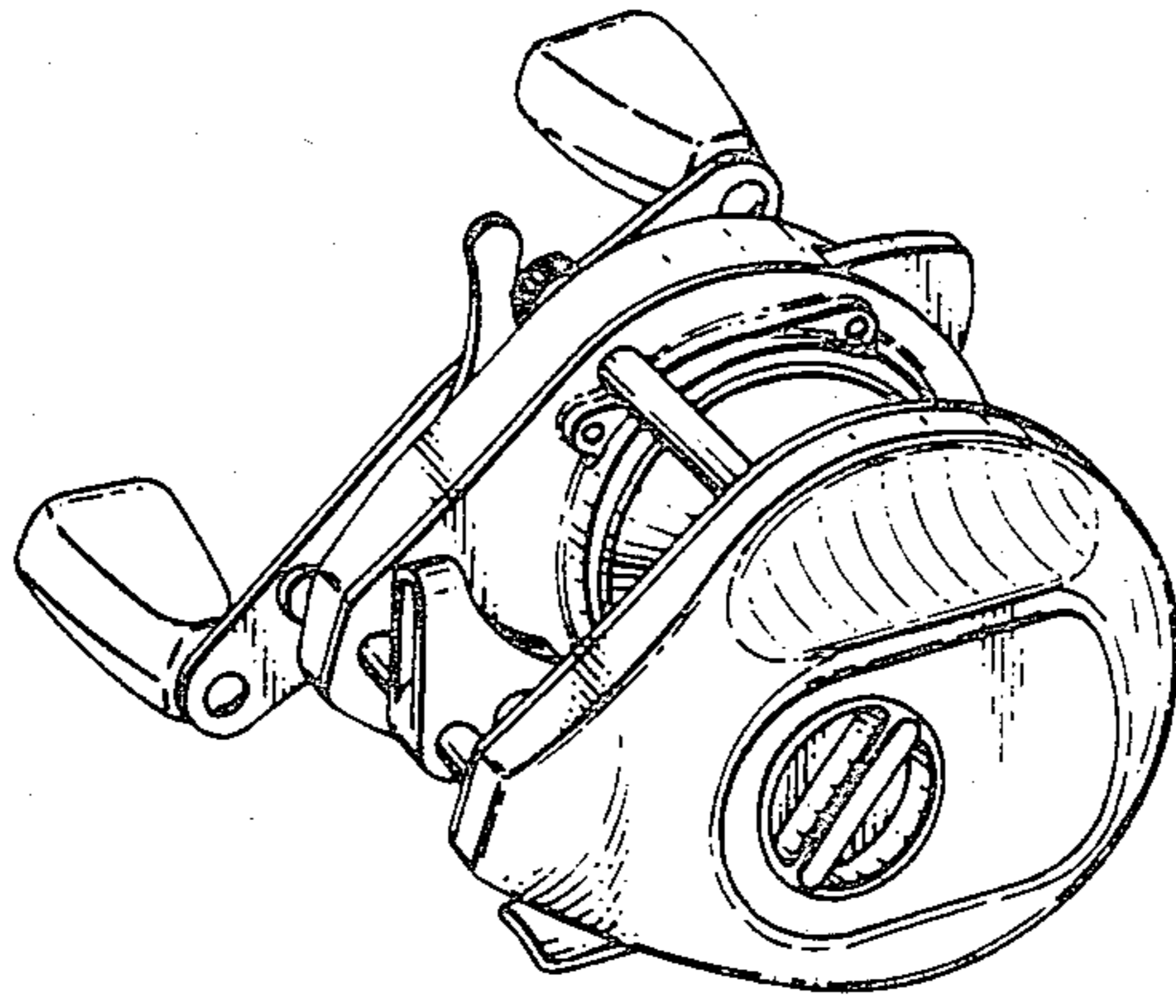


FIG. 2

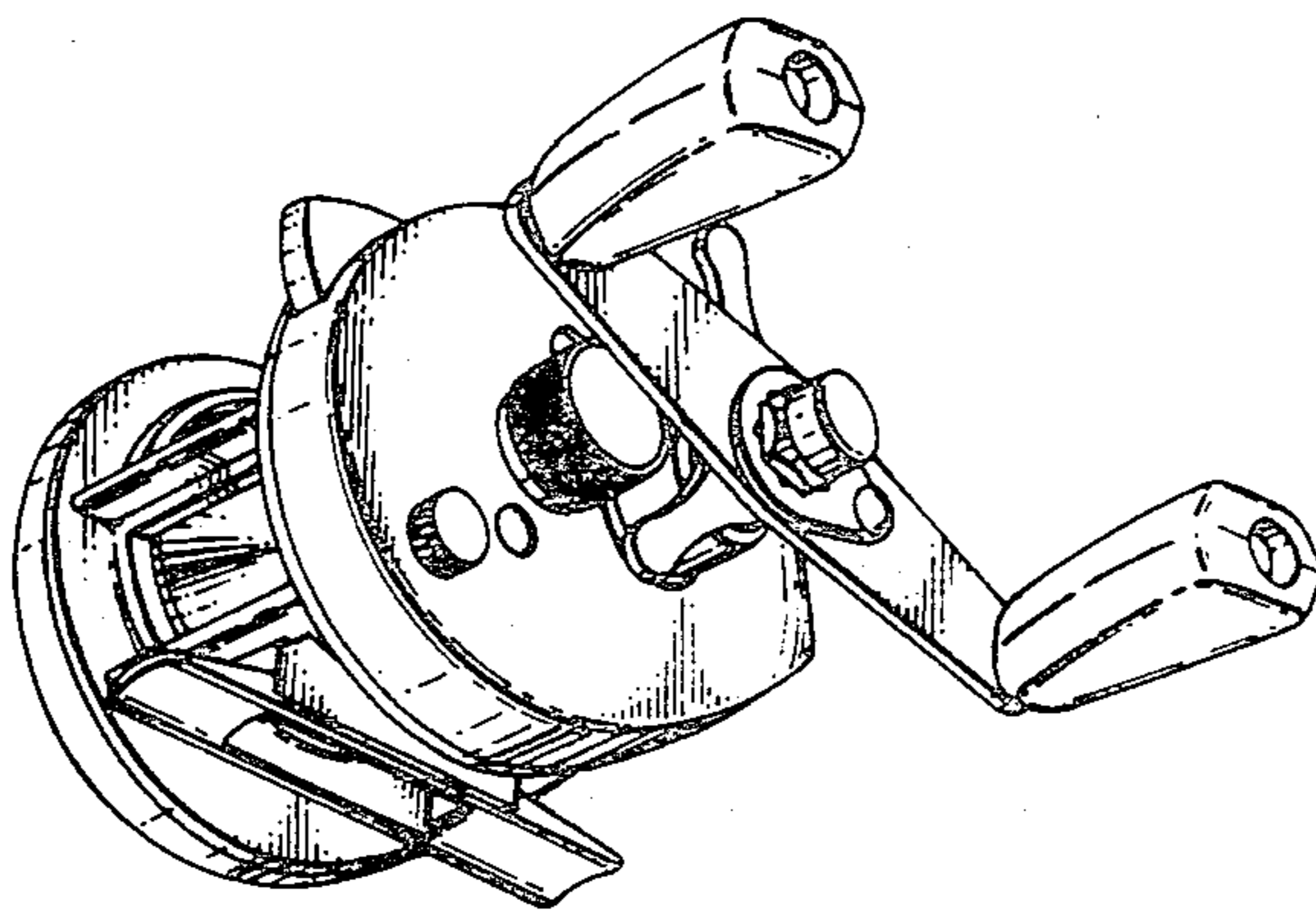


FIG. 3

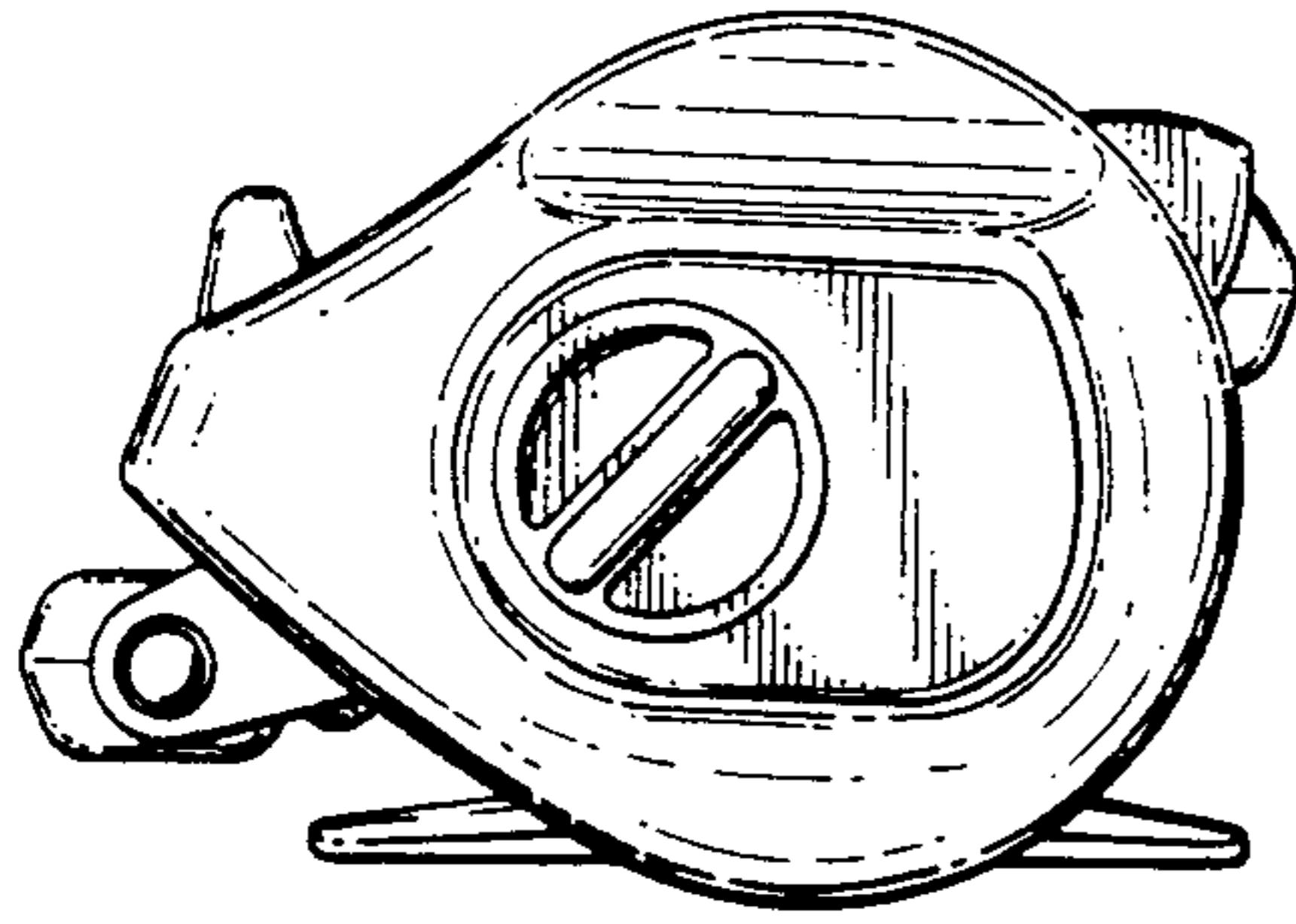


FIG. 4

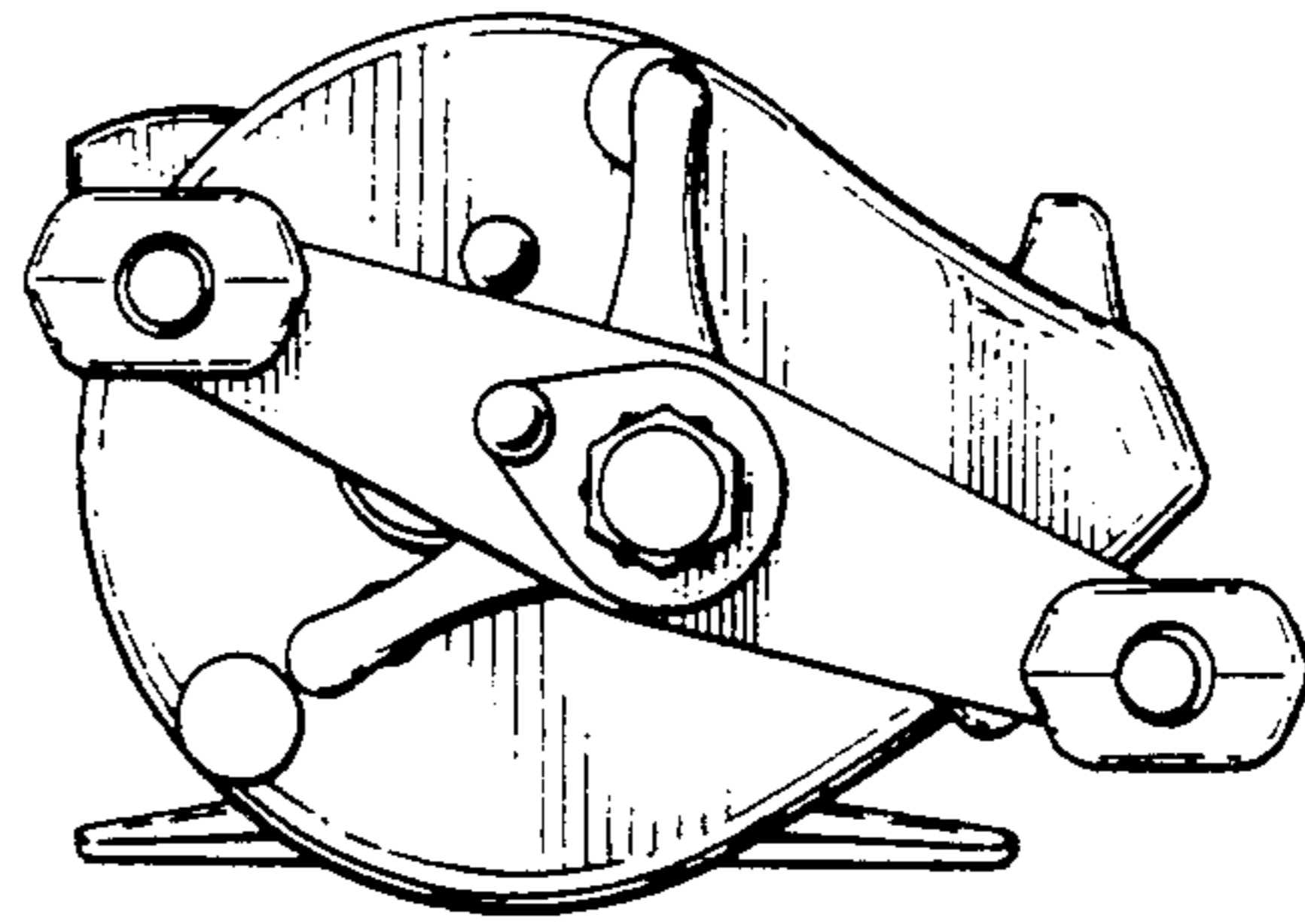


FIG. 5

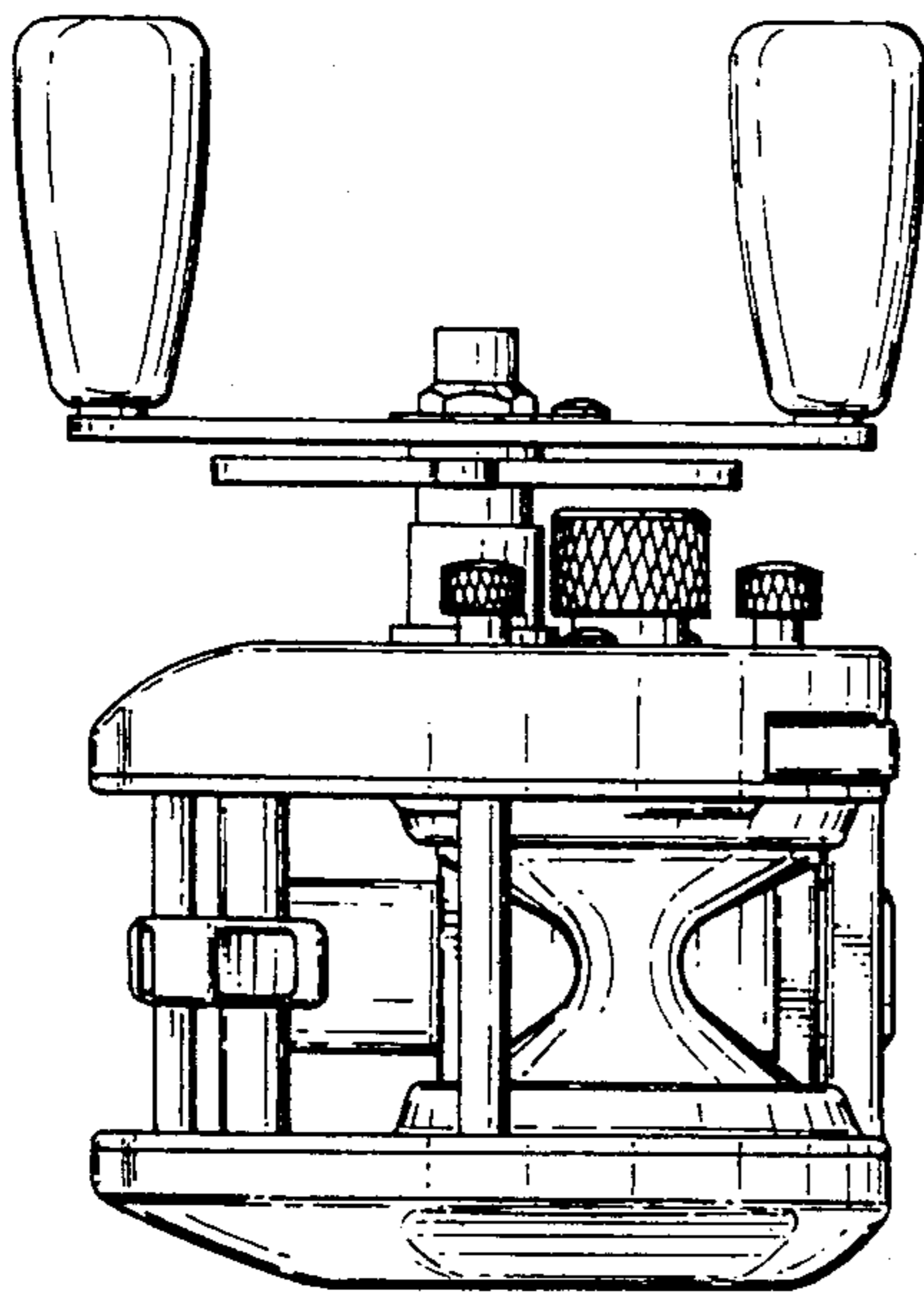


FIG. 6

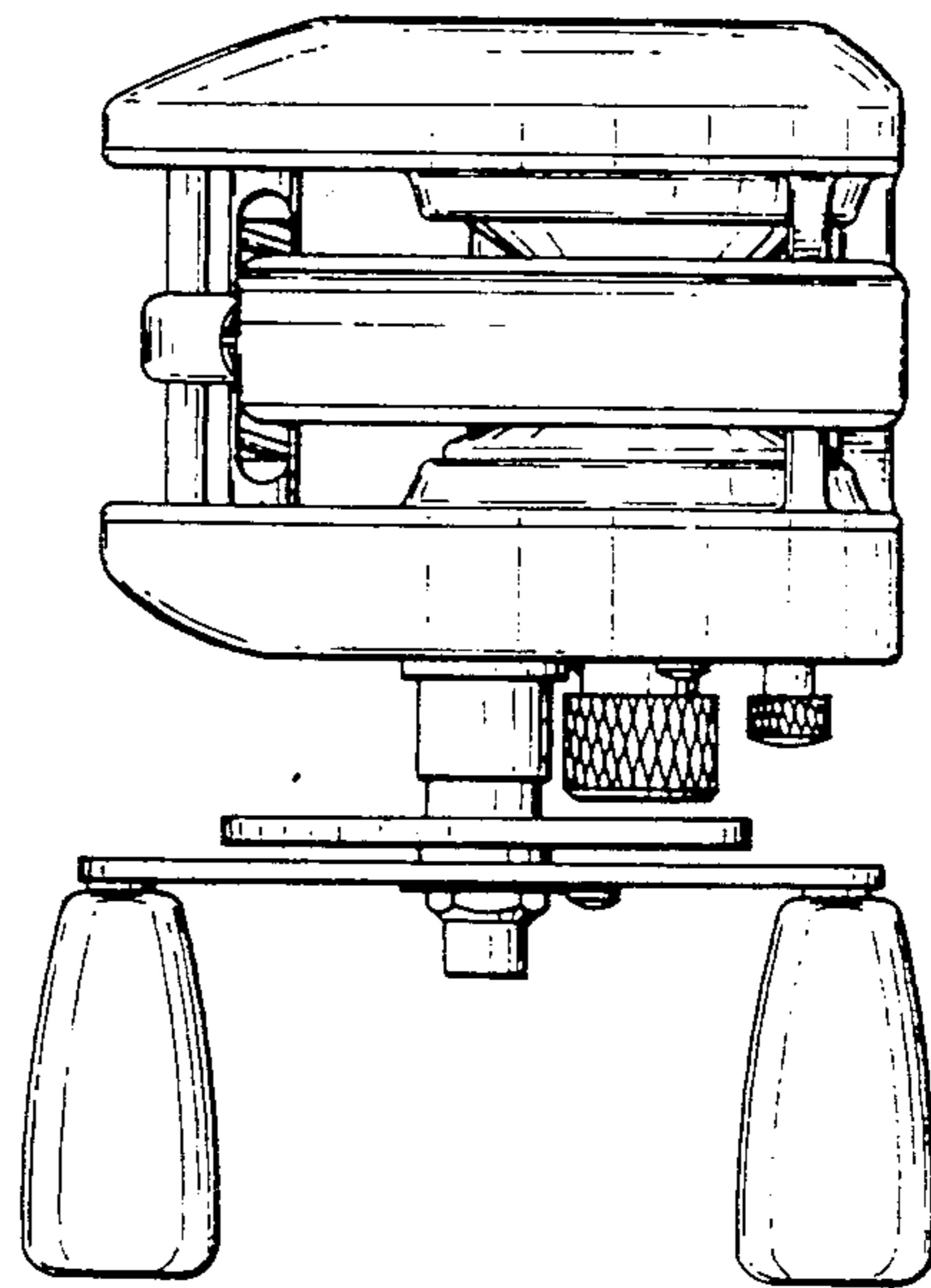


FIG. 7

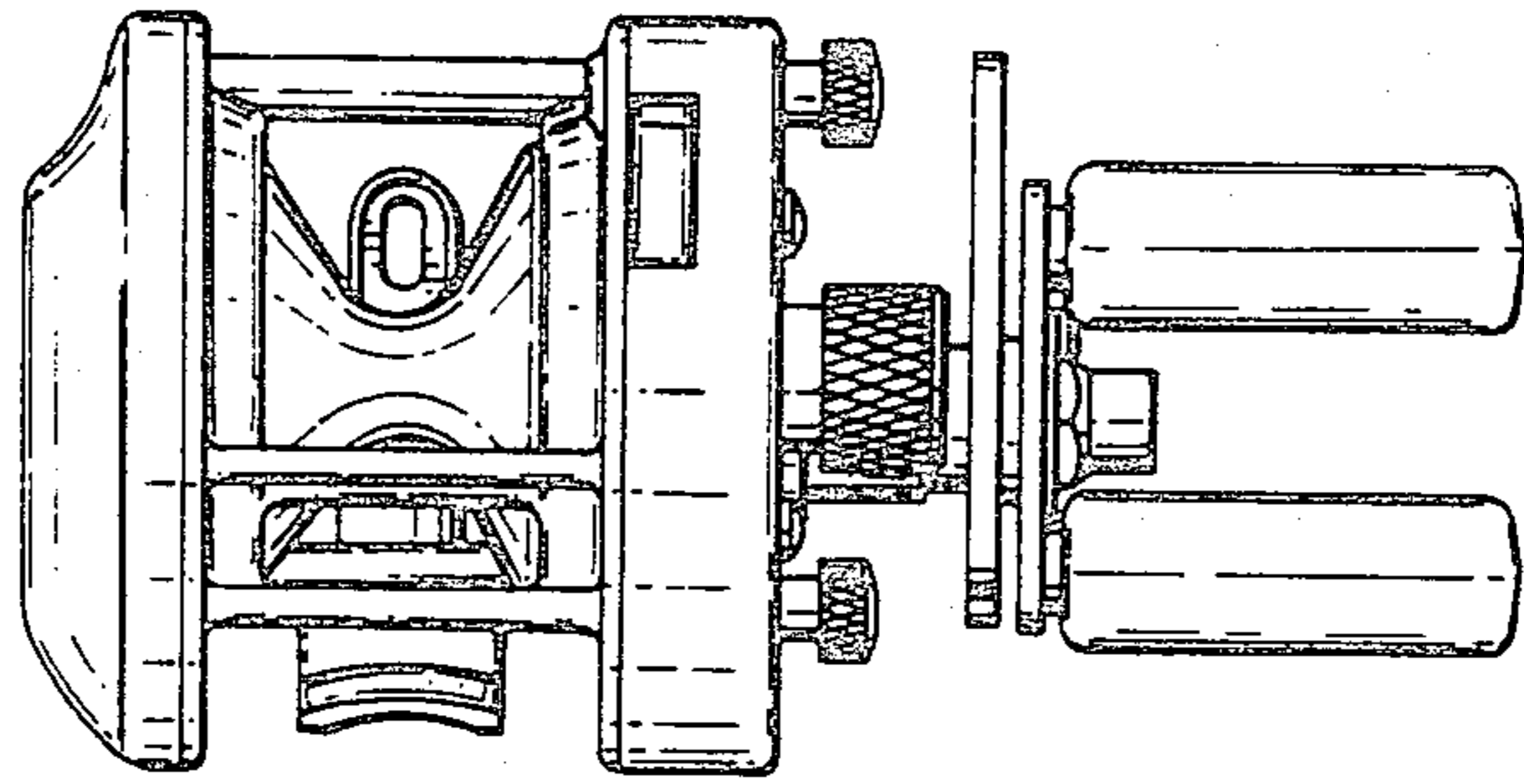


FIG. 8

