

[54] HORIZONTAL SIT-UP EXERCISER

[75] Inventors: Robert C. Kelley; Ira J. Silberman, both of Opelika, Ala.

[73] Assignee: Diversified Products Corporation, Opelika, Ala.

[\*\*] Term: 14 Years

[21] Appl. No.: 465,276

[22] Filed: Feb. 9, 1983

[52] U.S. Cl. .... D21/191

[58] Field of Search ..... D21/191-199; 272/65, 130, 134, 135, 138, 141, 143, 144, 145, 900, DIG. 6

[56] References Cited

U.S. PATENT DOCUMENTS

D. 174,738	5/1955	Cowgill	.....	D21/195
D. 210,083	2/1968	Werner	.....	D21/194
D. 211,478	6/1968	Margolies	.....	D21/194
2,484,153	10/1949	Chaudoir	.....	D21/194
3,787,048	1/1974	Bock	.....	272/145

OTHER PUBLICATIONS

Marcy Catalog, 12-1970, p. 51, #110-DKB Board.

Primary Examiner—Charles A. Rademaker  
Attorney, Agent, or Firm—Banner, Birch, McKie & Beckett

[57] CLAIM

The ornamental design for a horizontal sit-up exerciser, substantially as shown and described.

DESCRIPTION

FIG. 1 is a top plan view of a horizontal sit-up exerciser showing our new design; FIG. 2 is a side elevational view thereof, the side opposite being substantially a mirror image; FIG. 3 is a front elevational view thereof; FIG. 4 is a rear elevational view thereof; FIG. 5 is a top plan view of a modified form of the design shown in FIGS. 1 through 4; FIG. 6 is a side elevational view thereof, the side opposite being substantially a mirror image; FIG. 7 is a front elevational view thereof; and, FIG. 8 is a rear elevational view thereof.

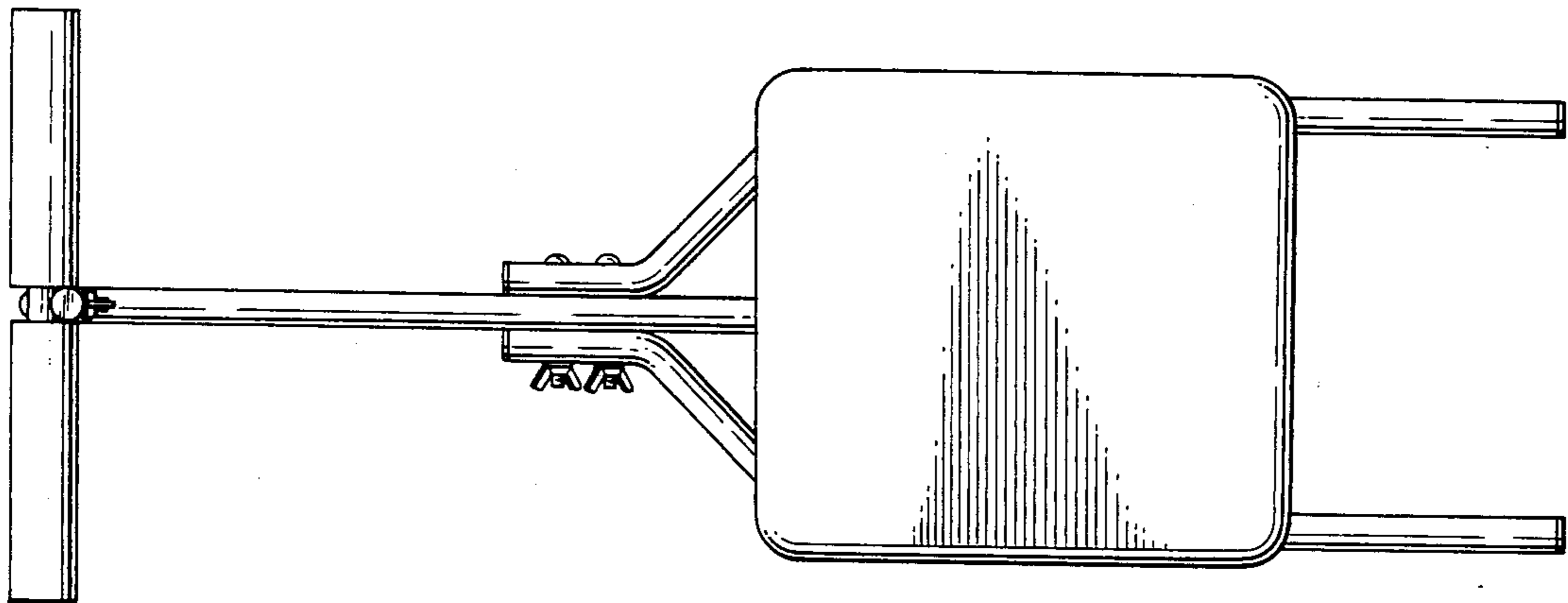
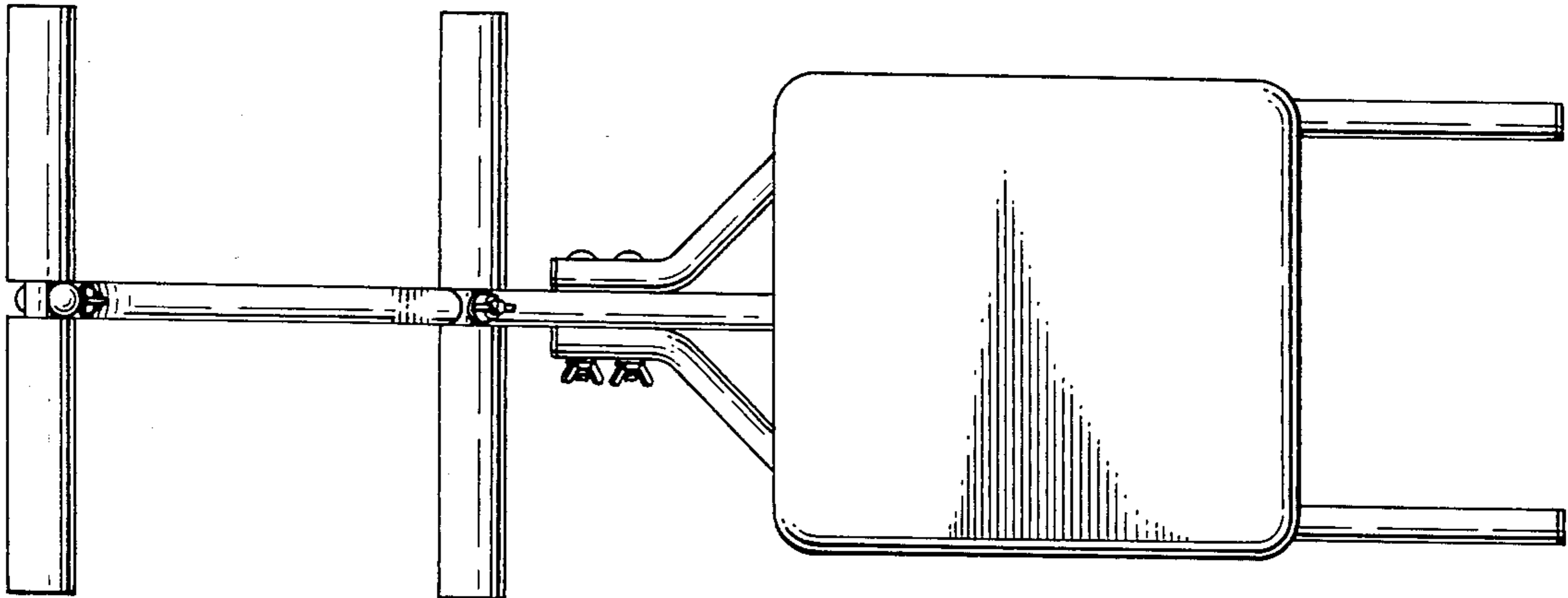


FIG. 1.

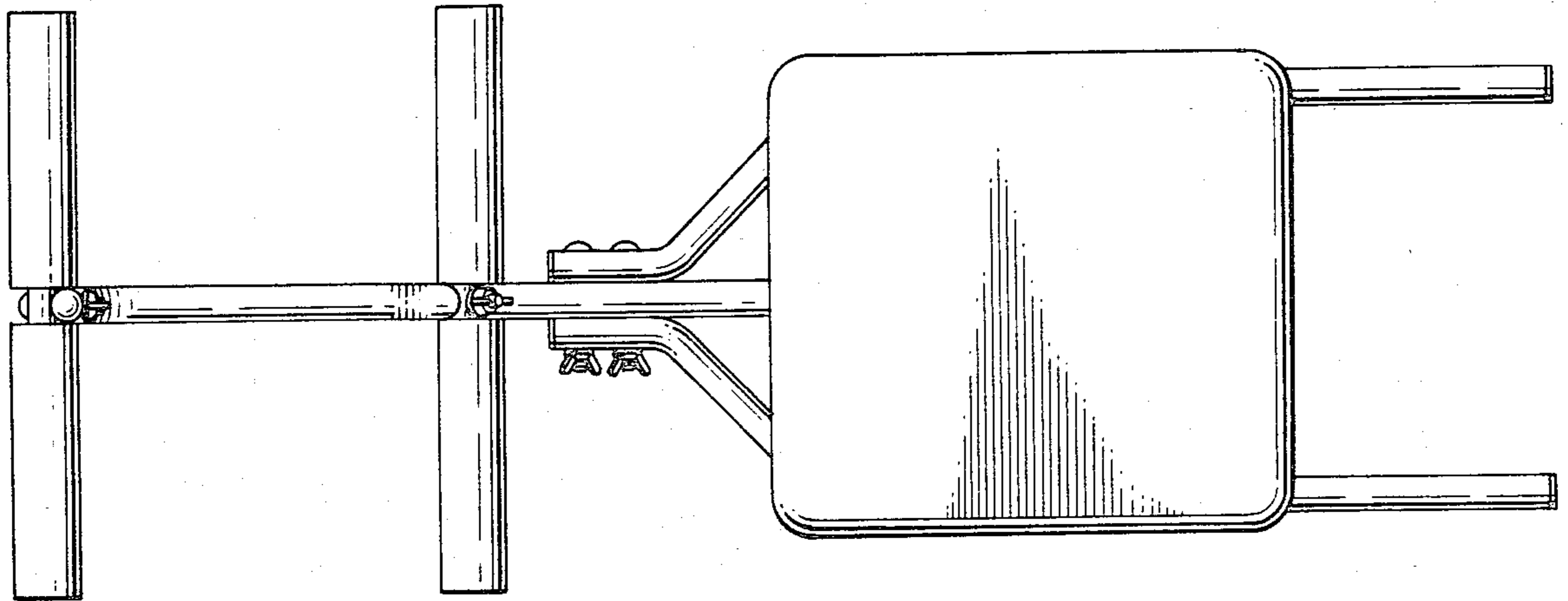


FIG. 2.

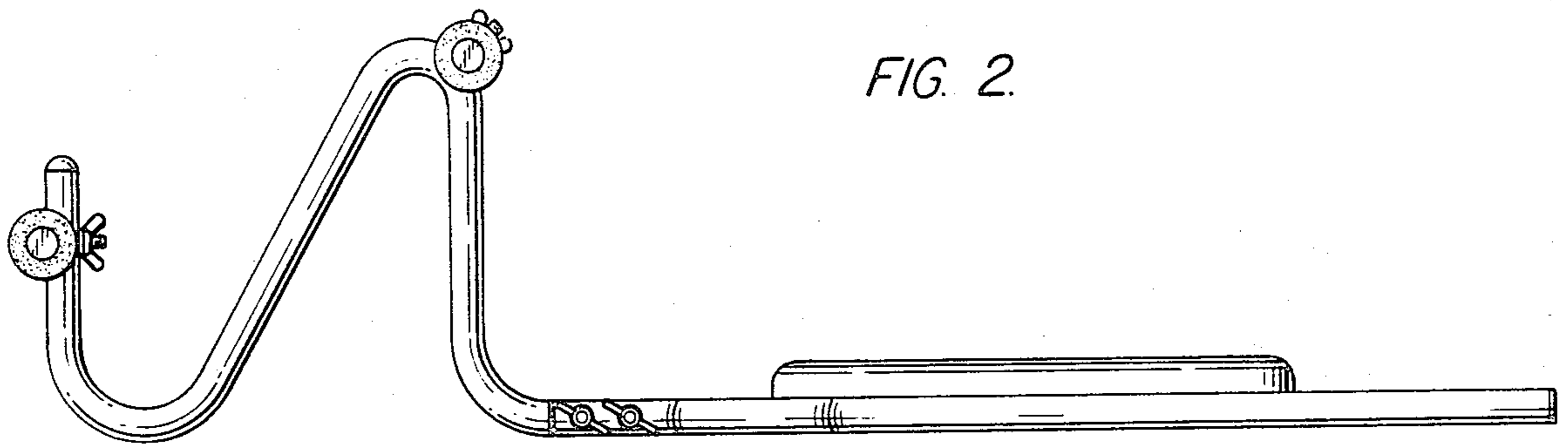


FIG. 3.

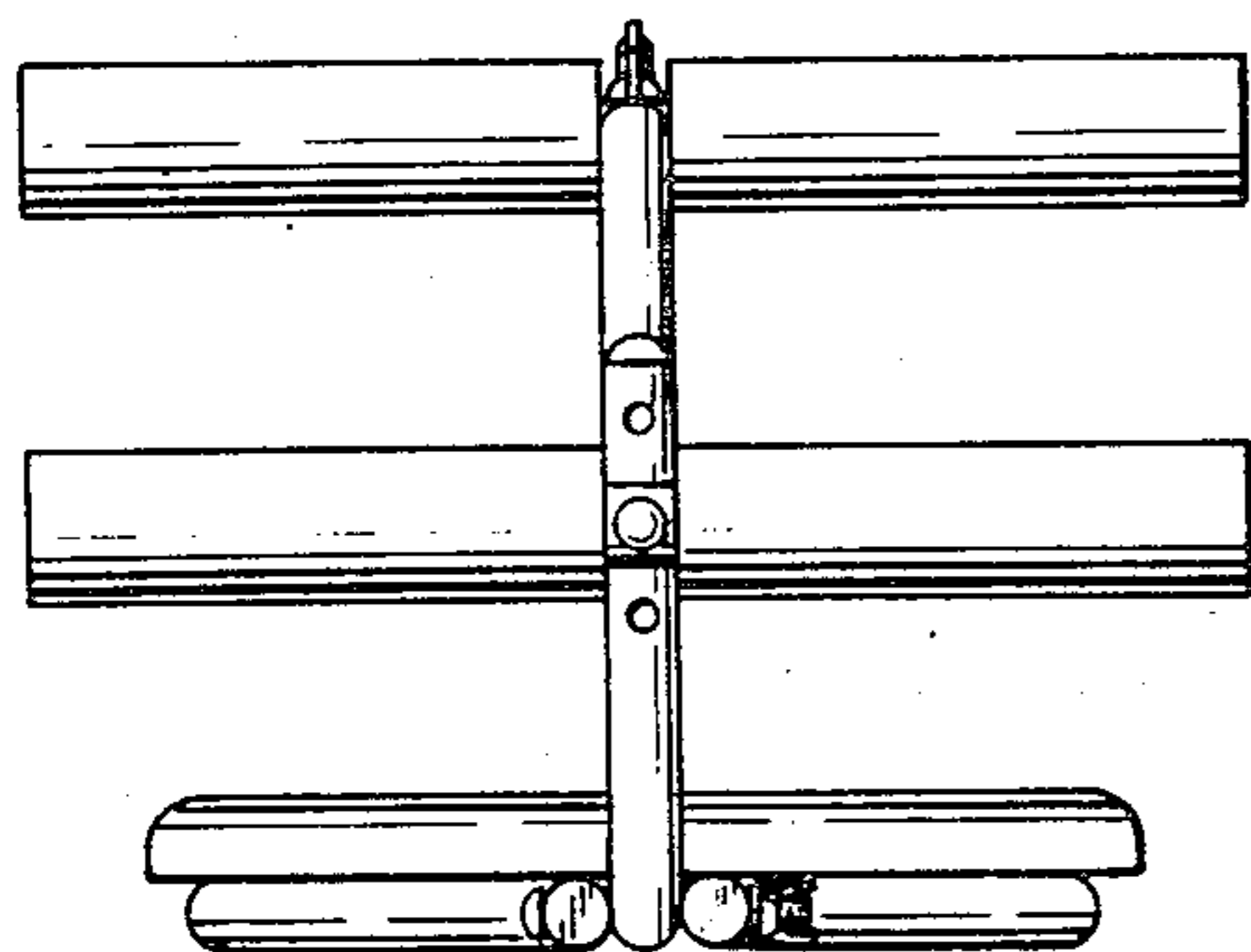


FIG. 4.

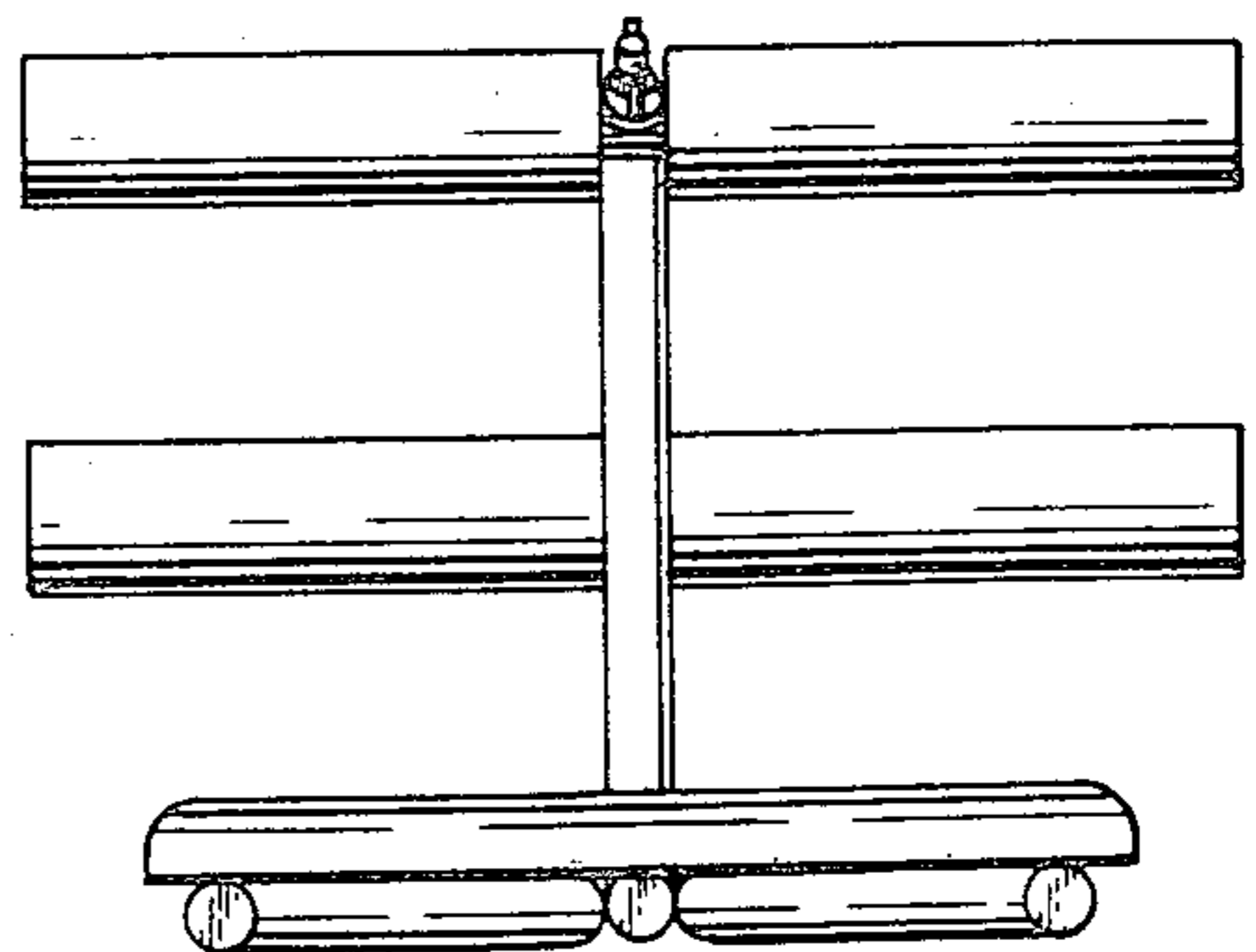


FIG. 5.

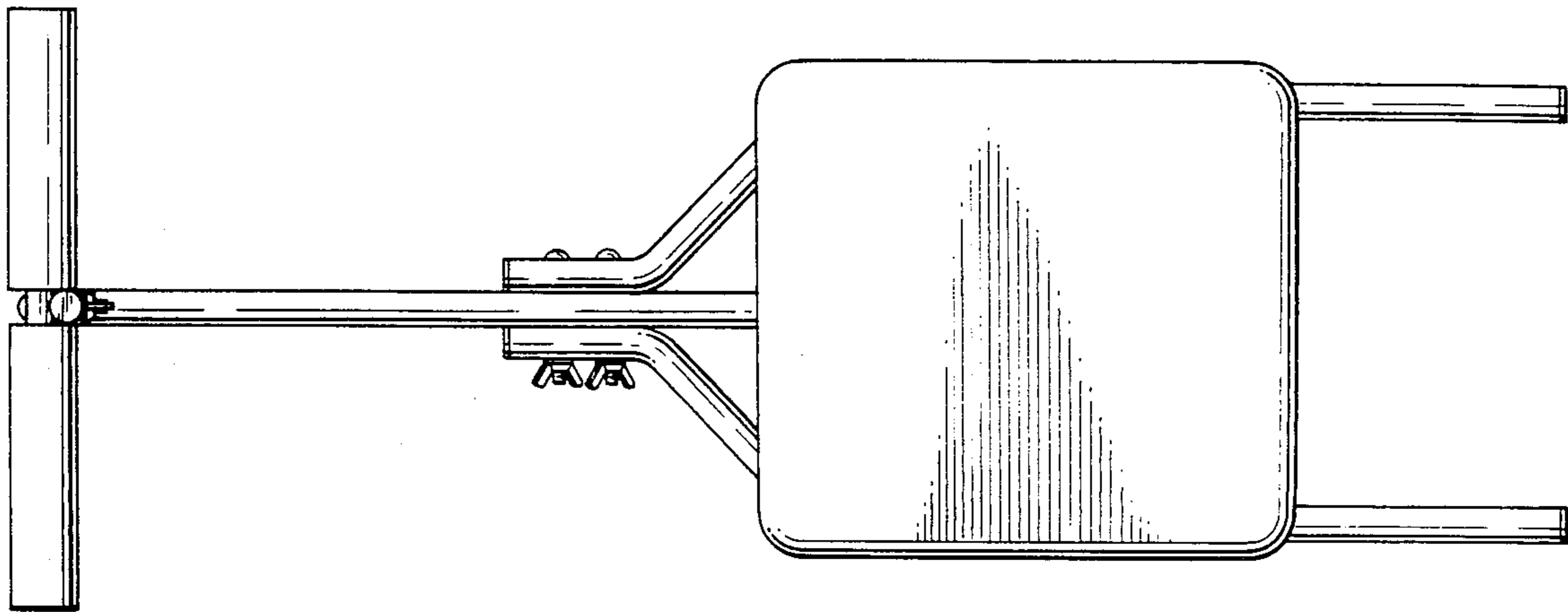


FIG. 6.

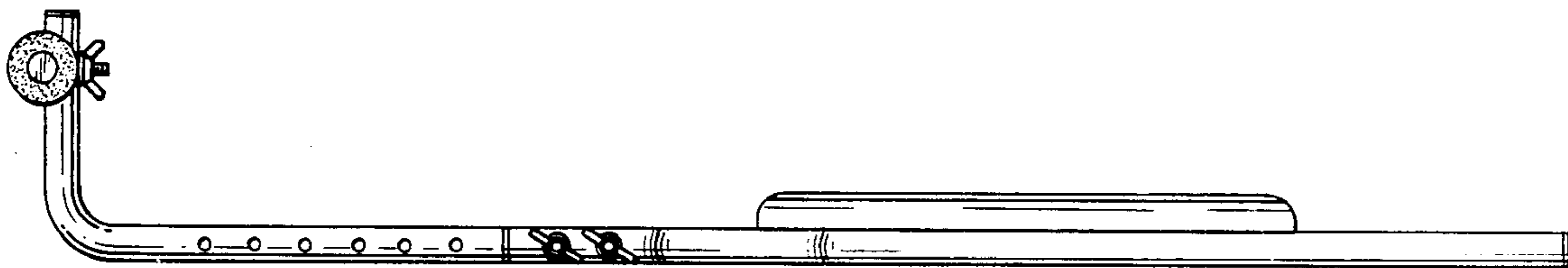


FIG. 7.

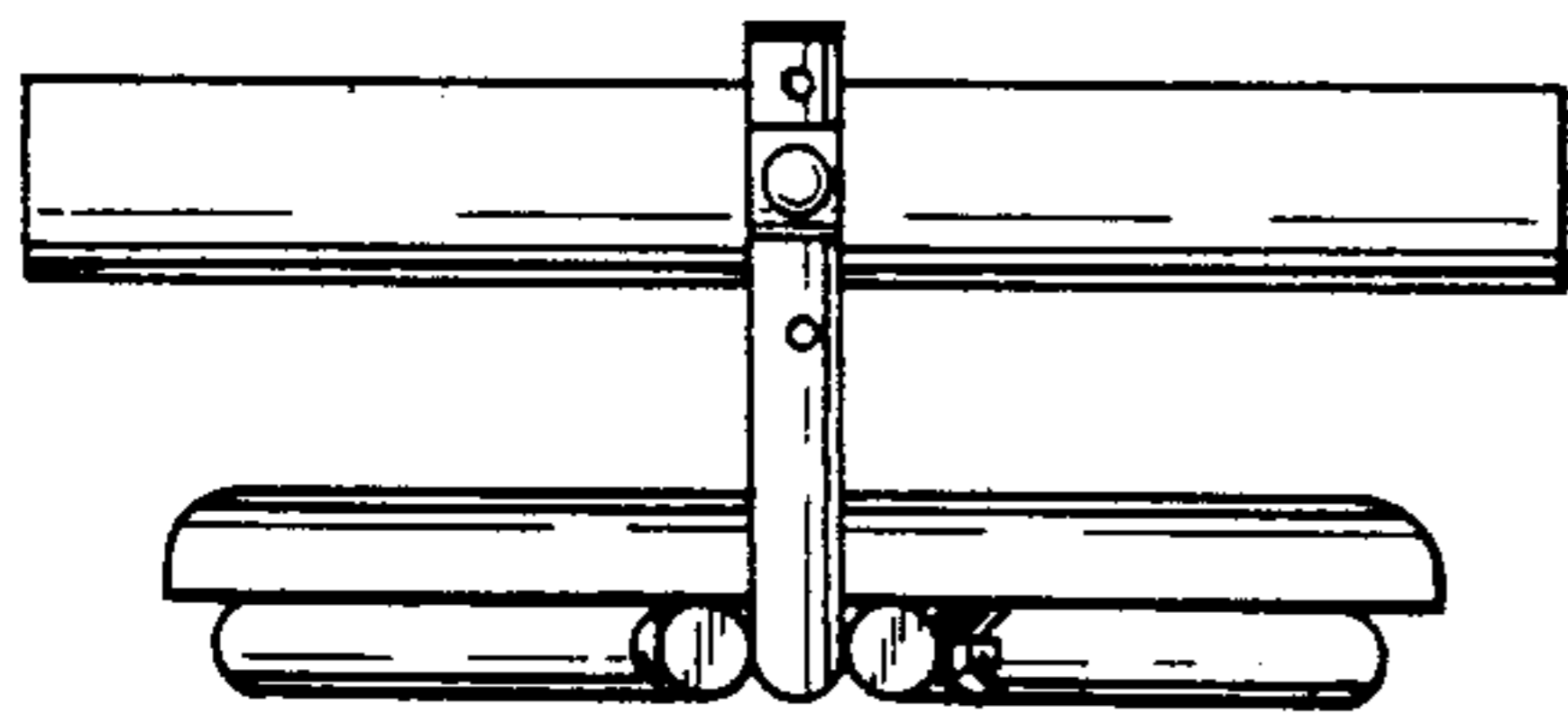


FIG. 8.

