

[54] TOY AIR PLANE

D. 252,977 9/1979 Bayly 446/71
2,939,242 6/1960 Papadakis 446/88

[75] Inventors: Erik P. Tapdrup, Virum; Gert P. Olsen, Lyngby, both of Denmark

Primary Examiner—Charles A. Rademaker
Attorney, Agent, or Firm—Kane, Dalsimer, Kane, Sullivan & Kurucz

[73] Assignee: Interlego AG, Switzerland

[**] Term: 14 Years

[57] CLAIM

[21] Appl. No.: 561,743

The ornamental design for a toy air plane, as shown and described.

[22] Filed: Dec. 15, 1983

DESCRIPTION

[52] U.S. Cl. D21/90; D21/108

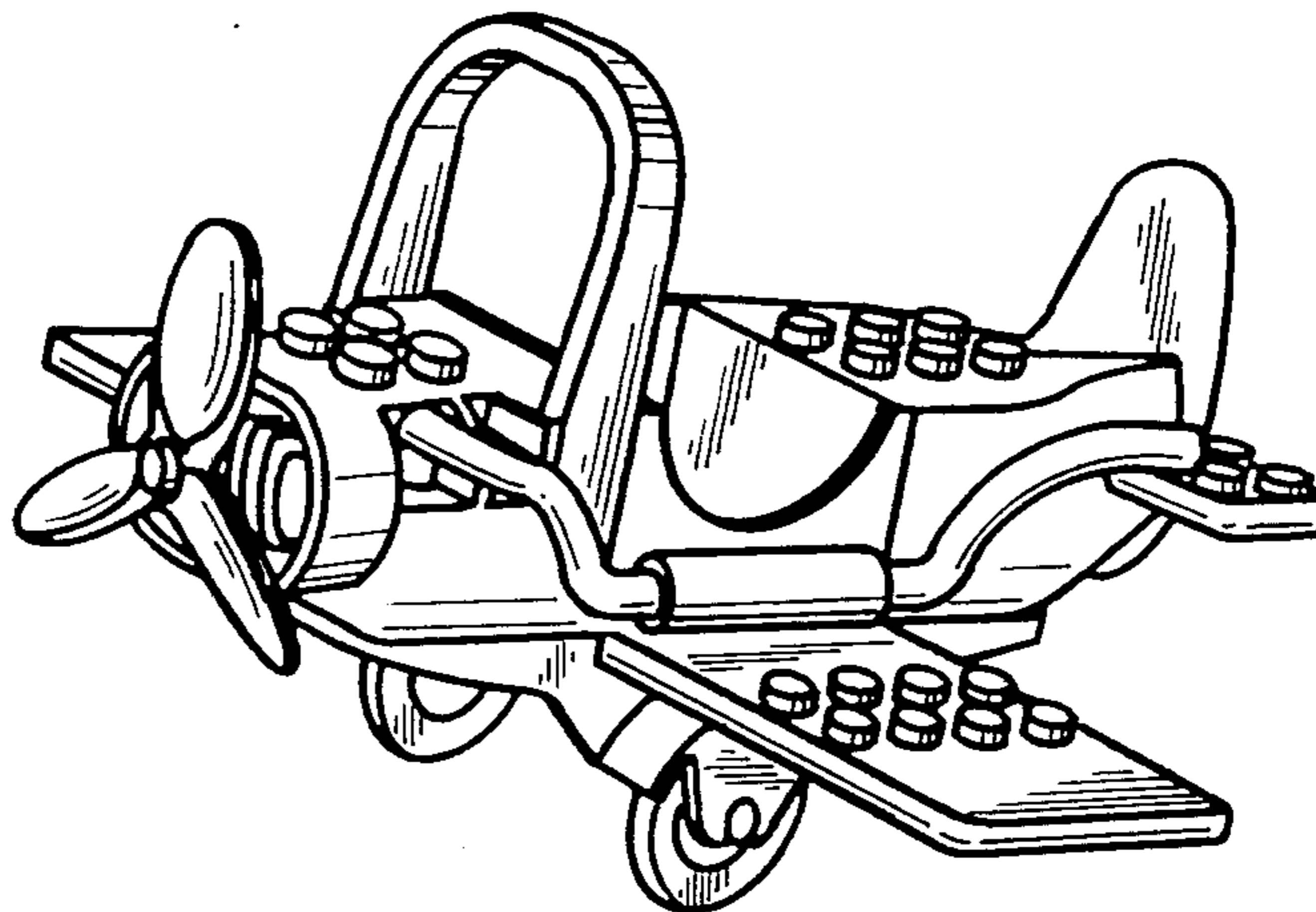
[58] Field of Search D21/82, 85, 87, 89, D21/90, 91; 446/88, 90, 94, 71

FIG. 1 is a front elevational view of a toy air plane showing our new design;
FIG. 2 is a rear elevational view thereof;
FIG. 3 is a top plan view thereof;
FIG. 4 is a front perspective view thereof;
FIG. 5 is a side elevational view thereof, the side opposite being substantially a mirror image; and,
FIG. 6 is a bottom plan view thereof.

[56] References Cited

U.S. PATENT DOCUMENTS

D. 234,212 1/1975 Morin et al. D21/87
D. 249,817 10/1978 Samson D21/90



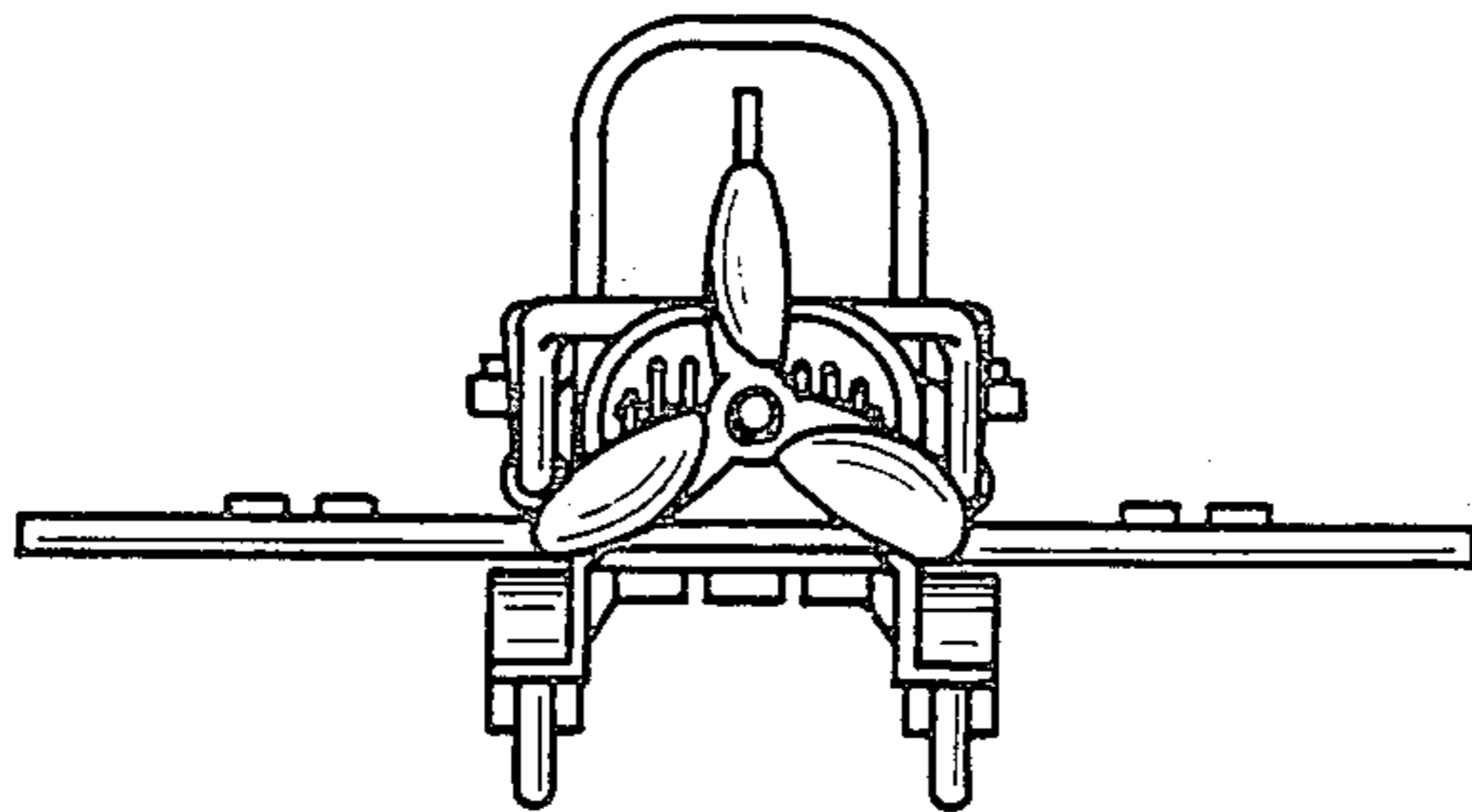


FIG. 1

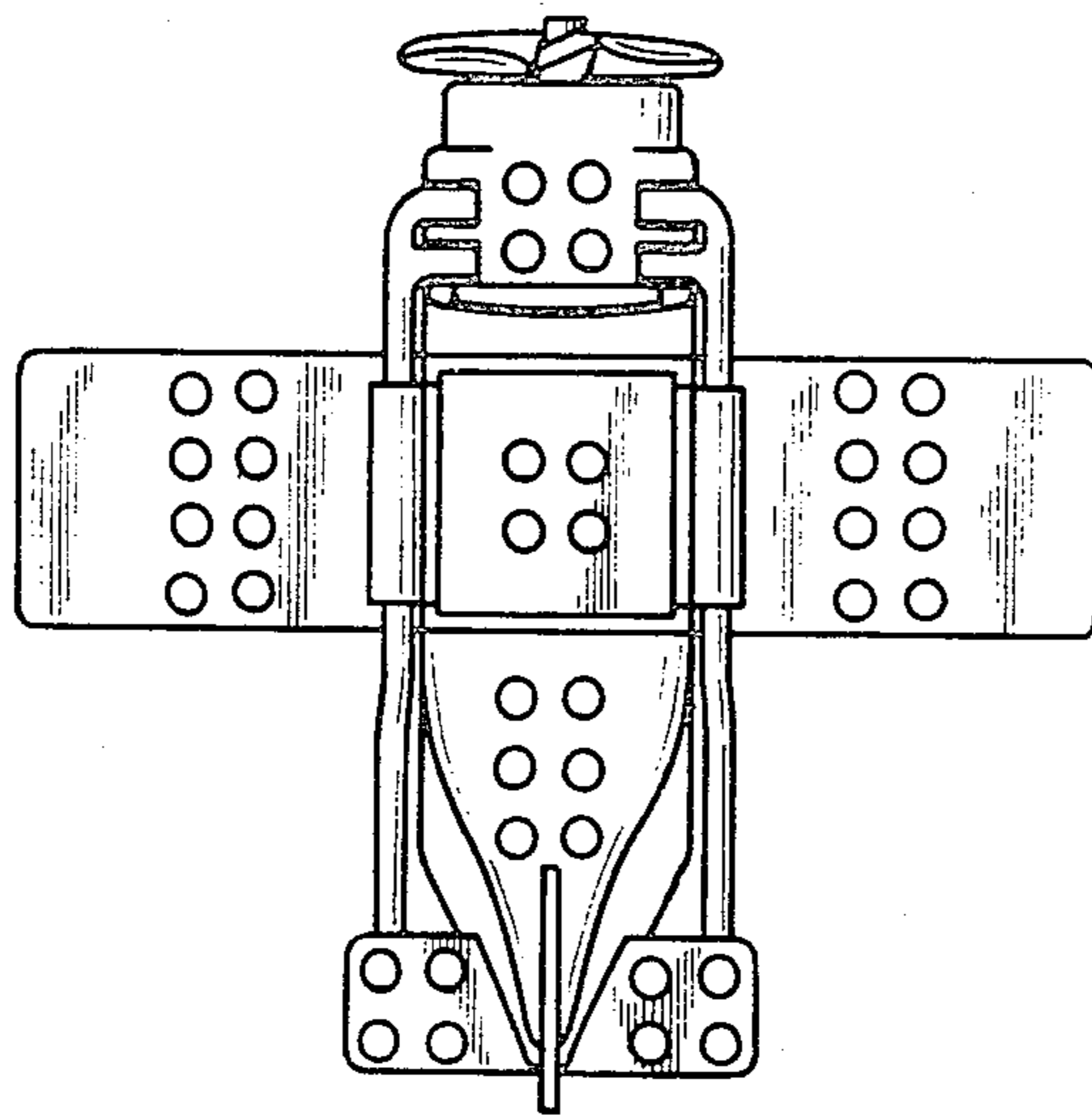


FIG. 3

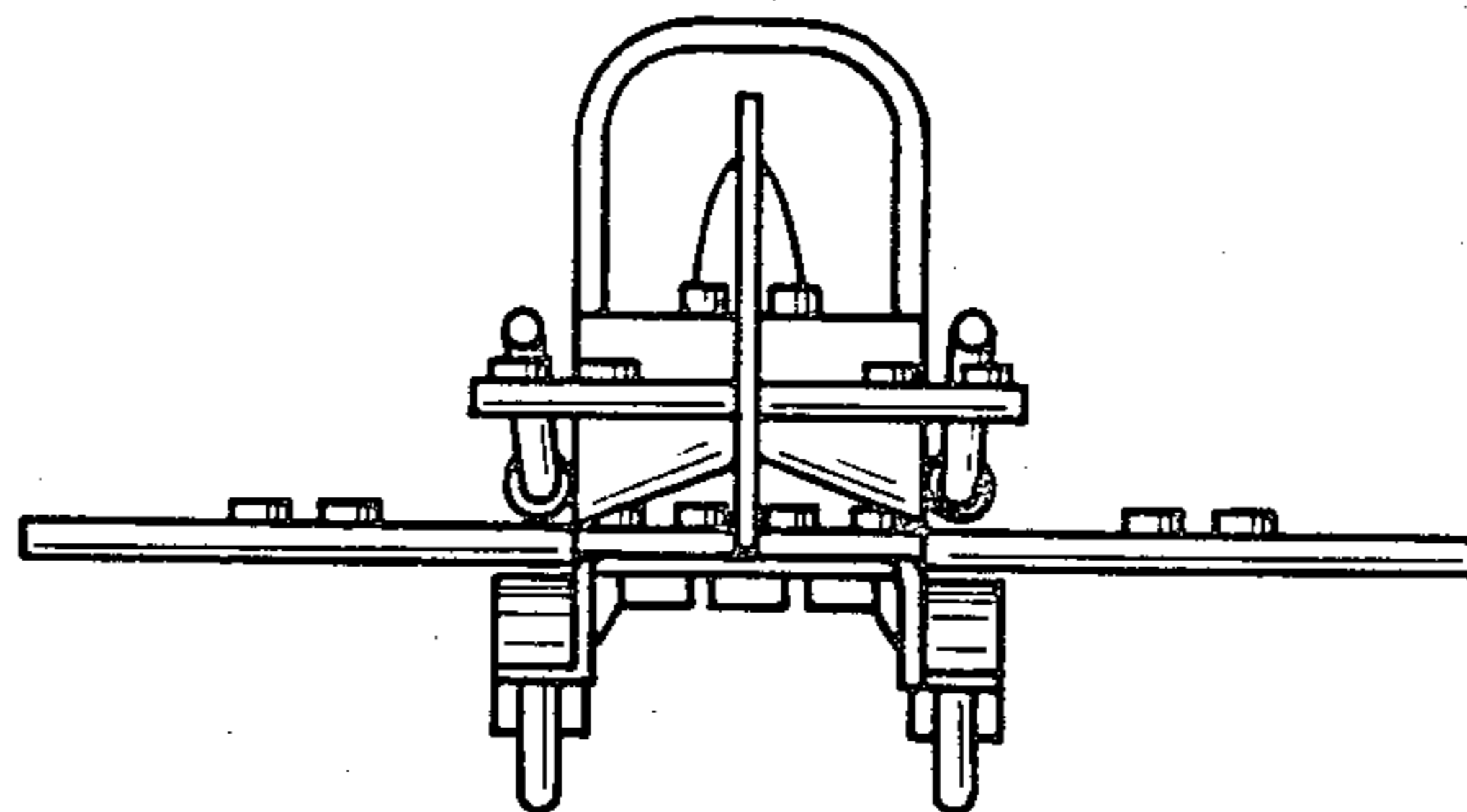


FIG. 2

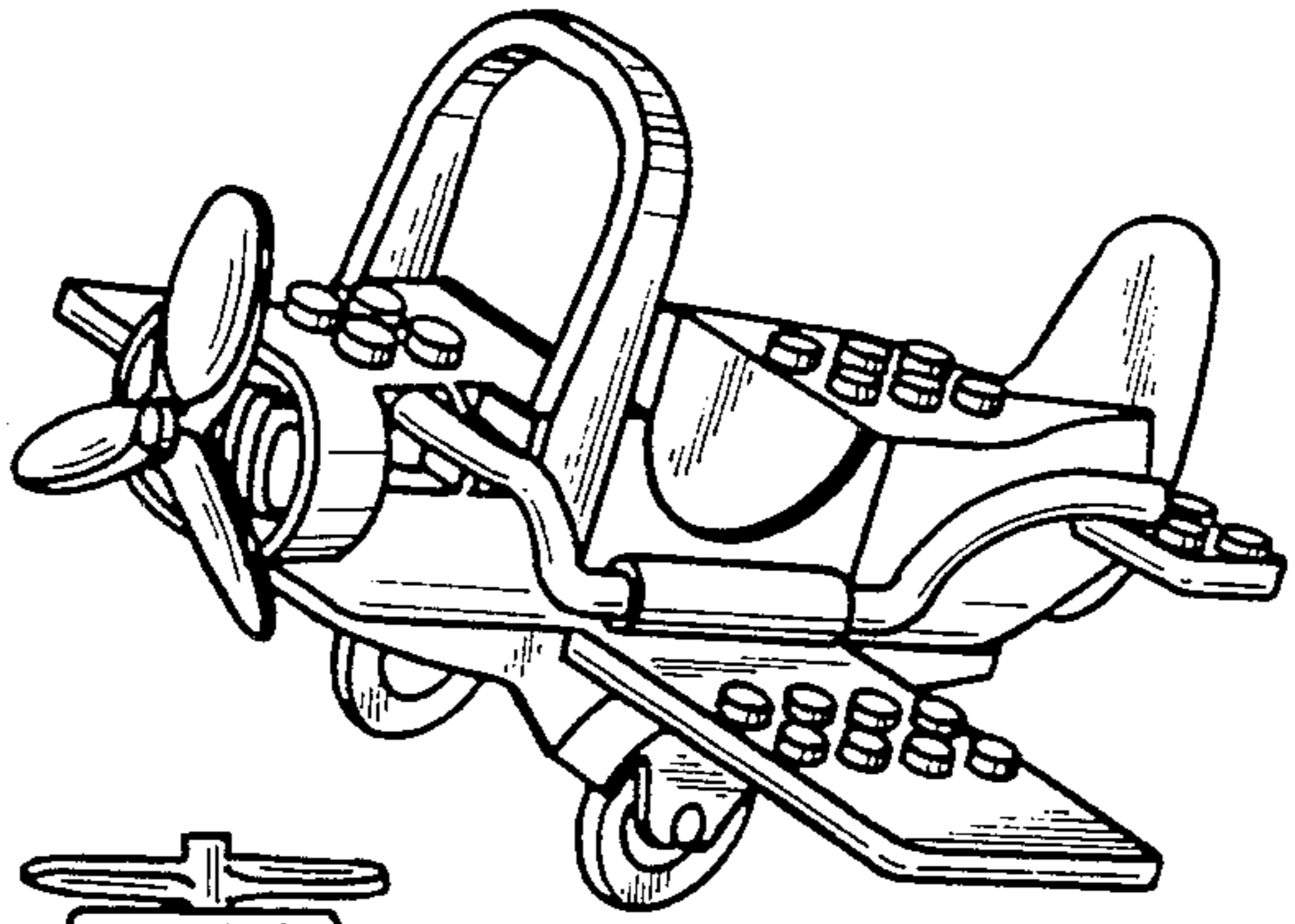


FIG. 4

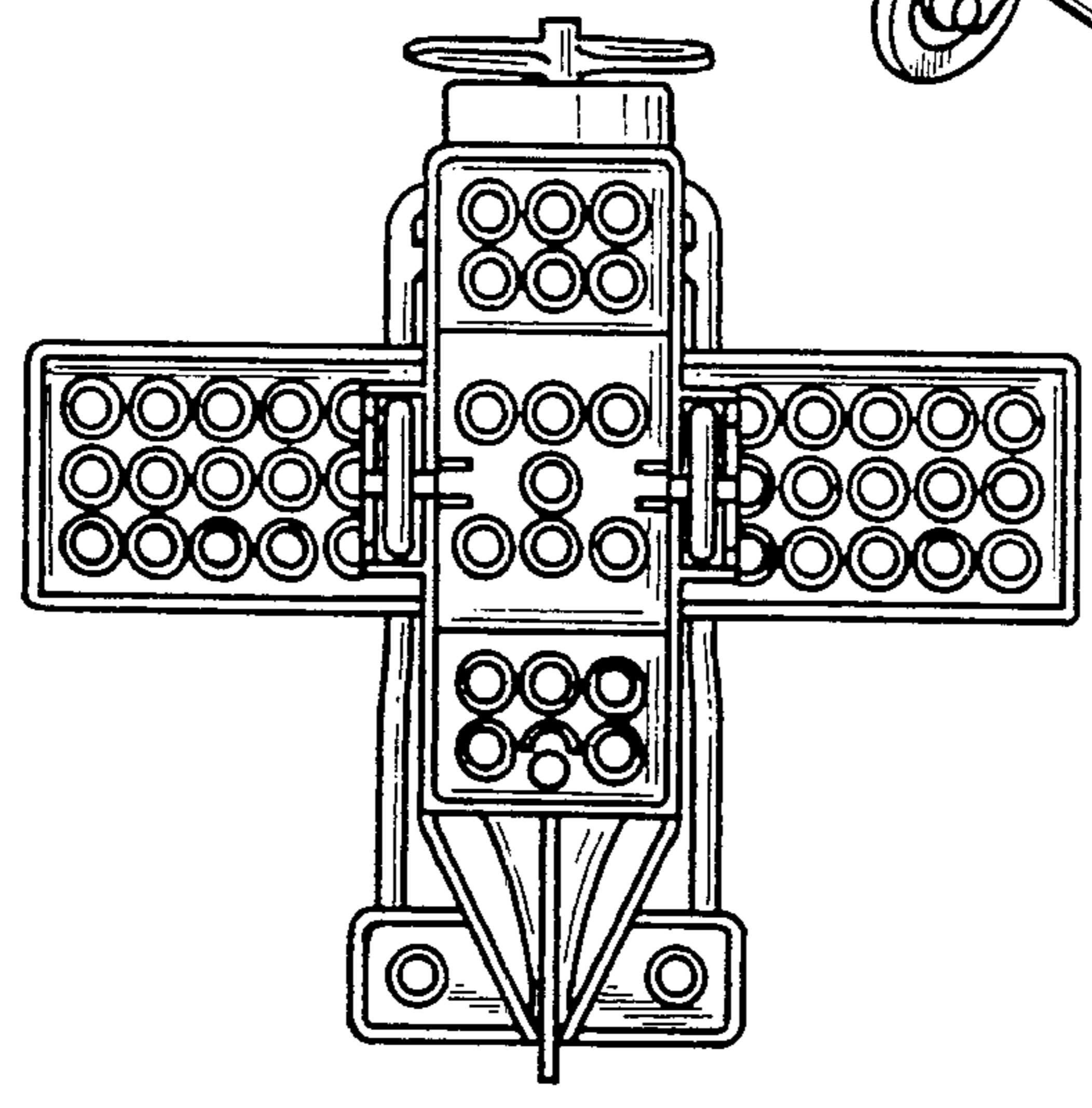


FIG. 6

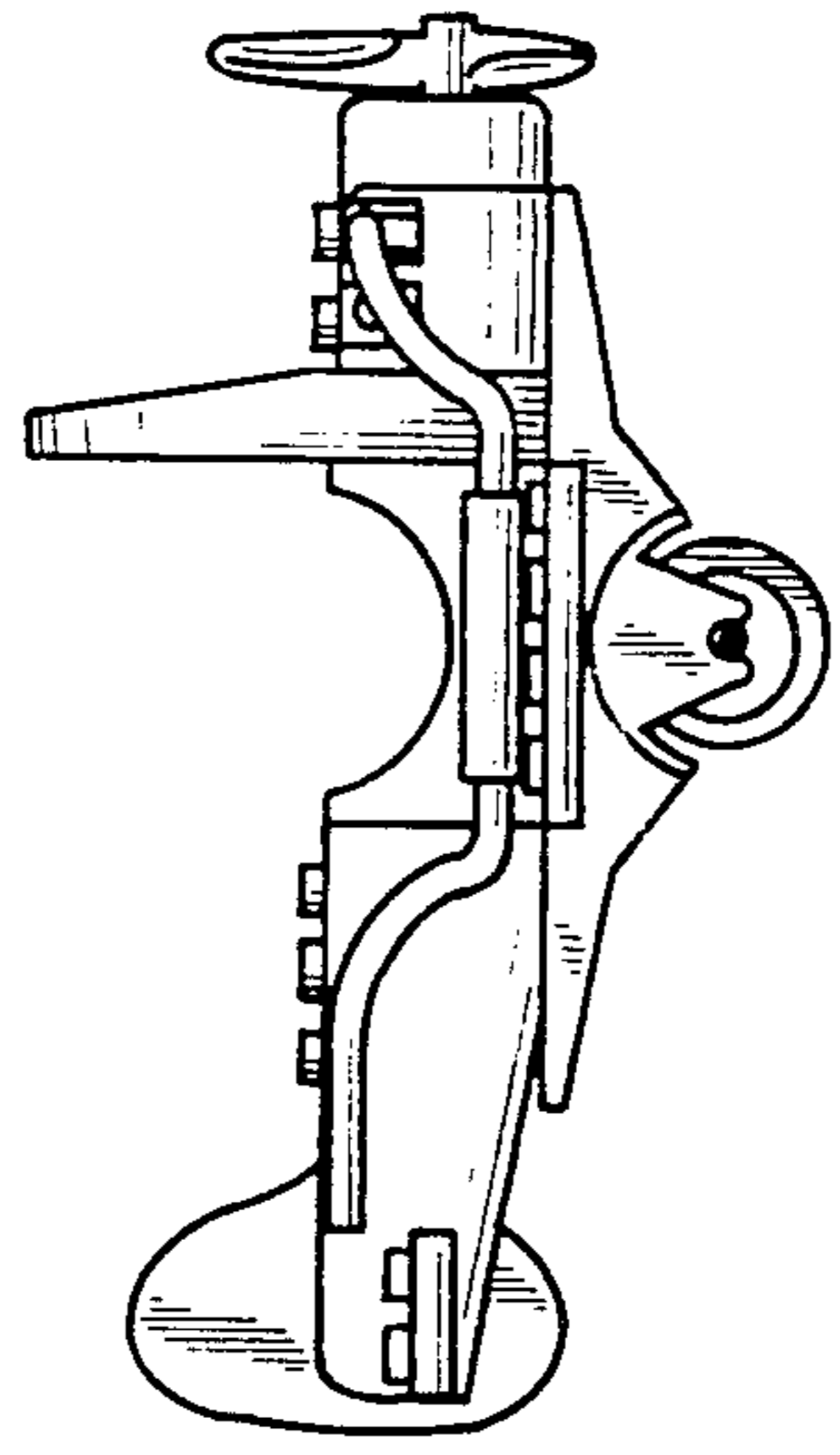


FIG. 5