

[54] **VIDEO GAME CABINET**

[75] **Inventors: Leo F. Ludzia; Romeo M. Ishaya,**
both of Chicago, Ill.

[73] **Assignee: Williams Electronics, Inc., Chicago,**
Ill.

[**] **Term: 14 Years**

[21] **Appl. No.: 510,542**

[22] **Filed: Jul. 5, 1983**

[52] **U.S. Cl. D21/13**

[58] **Field of Search D21/13, 1; 273/DIG. 28,**
273/148 B, 85 G, 1 E

[56] **References Cited**

U.S. PATENT DOCUMENTS

- D. 243,624 3/1977 Takaichi D21/13
- D. 250,666 12/1978 Hector D21/13

Primary Examiner—Melvin B. Feifer
Attorney, Agent, or Firm—McDougall, Hersh & Scott

[57] **CLAIM**

The ornamental design for a video game cabinet, as shown.

DESCRIPTION

FIG. 1 is a front perspective view of a video game cabinet showing our new design.

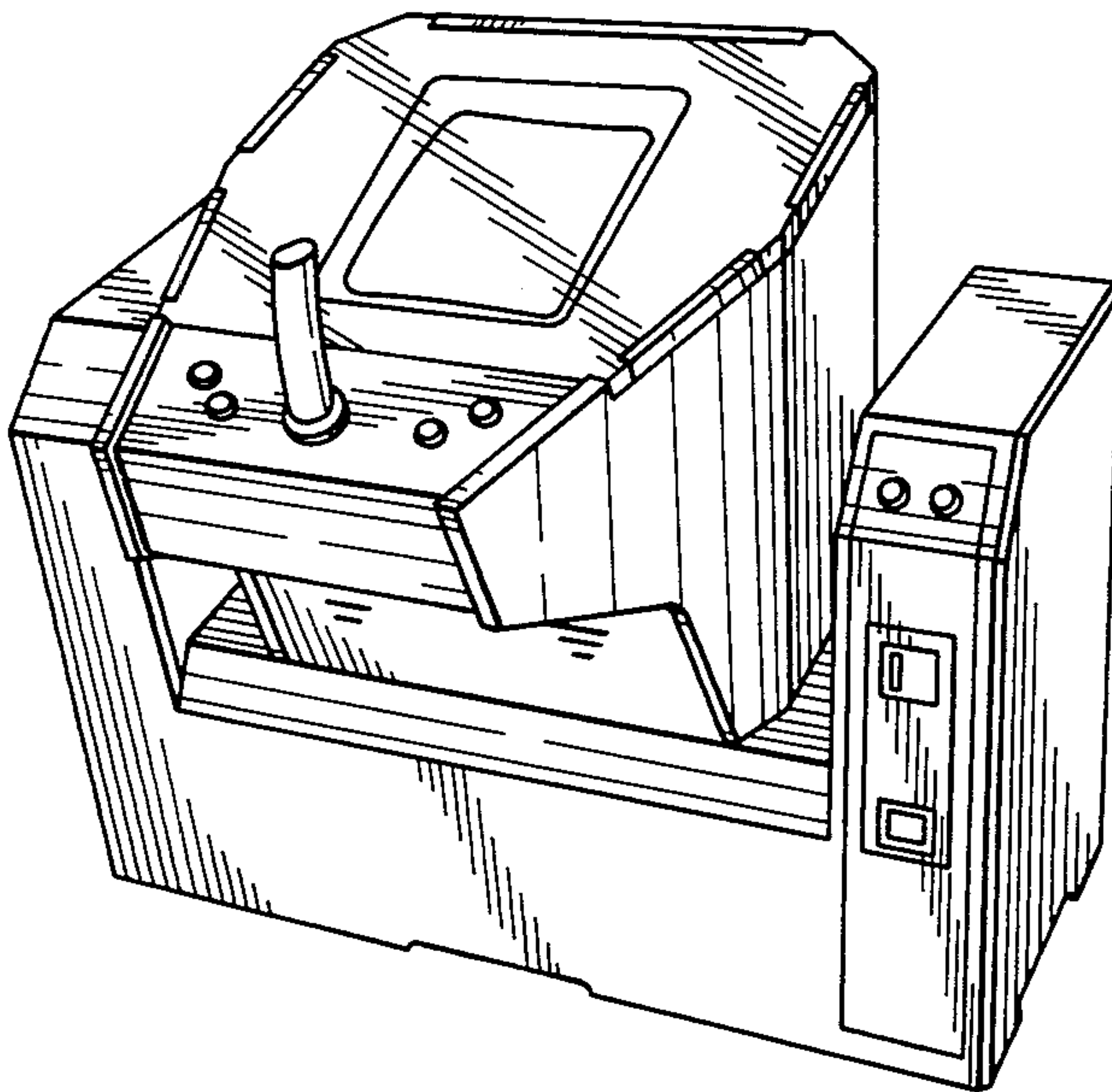
FIG. 2 is a top plan view.

FIG. 3 is a front elevational view.

FIG. 4 is a left side elevational view.

FIG. 5 is a rear elevational view.

FIG. 6 is a bottom plan view.



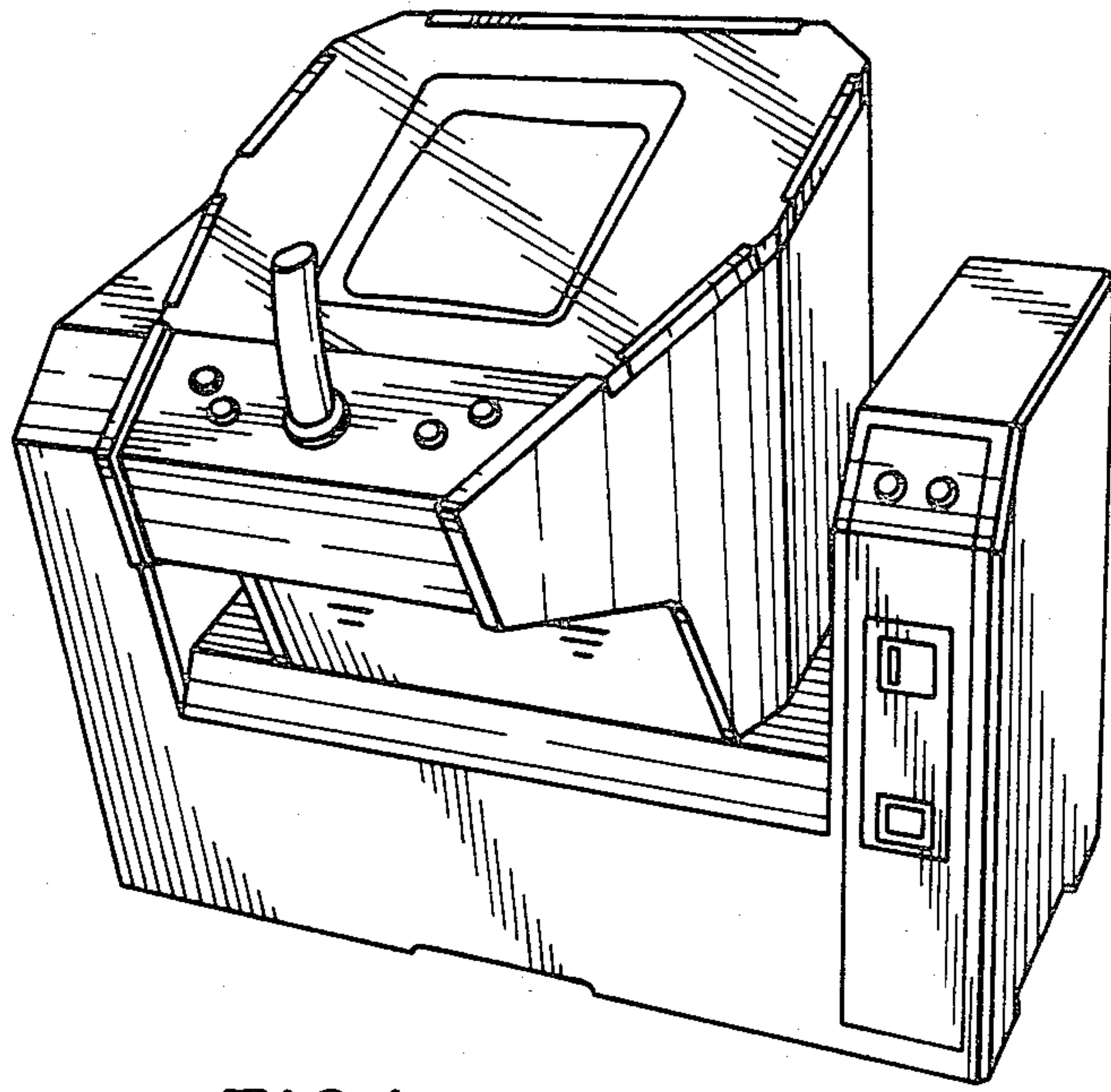


FIG. 1

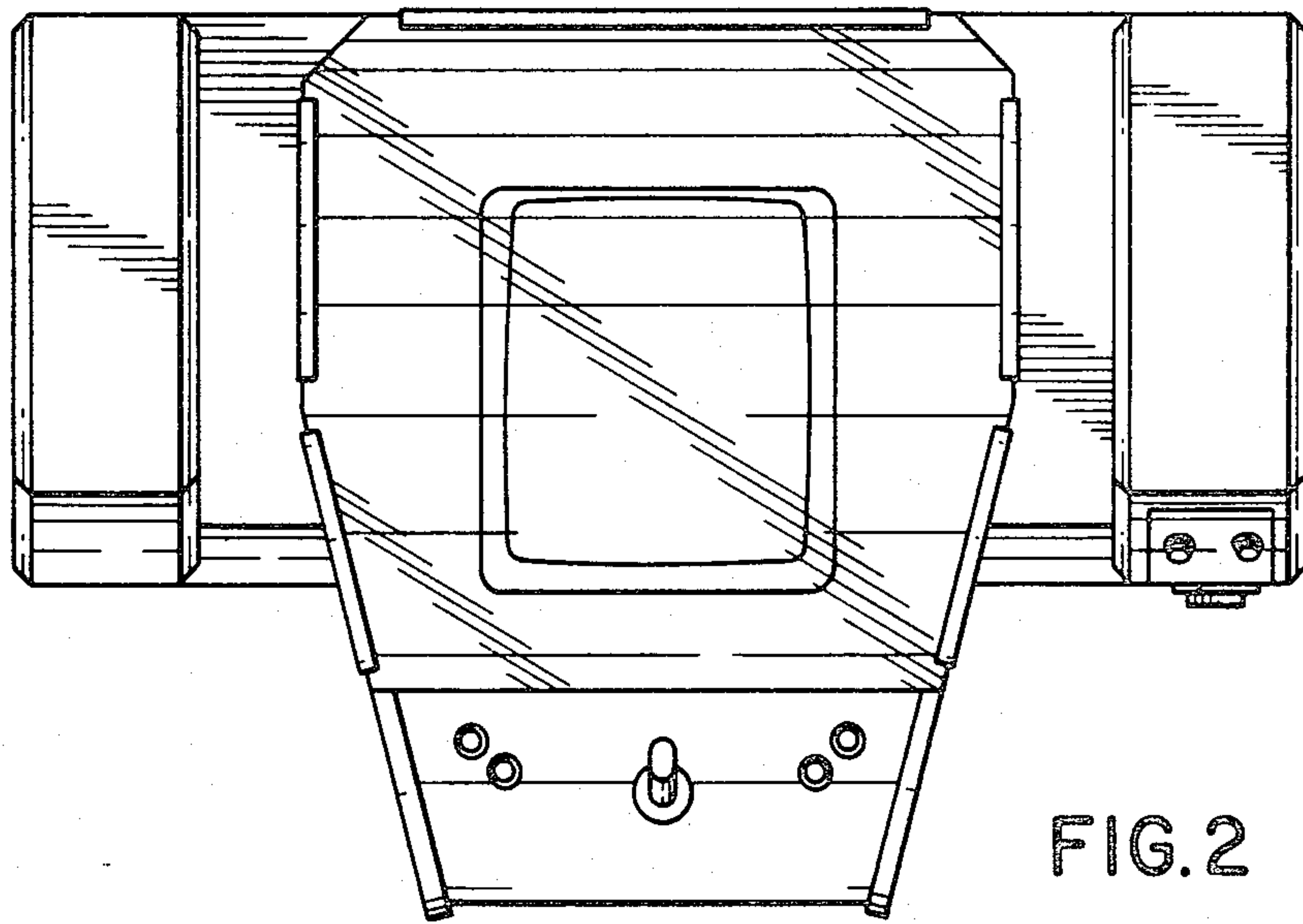


FIG. 2

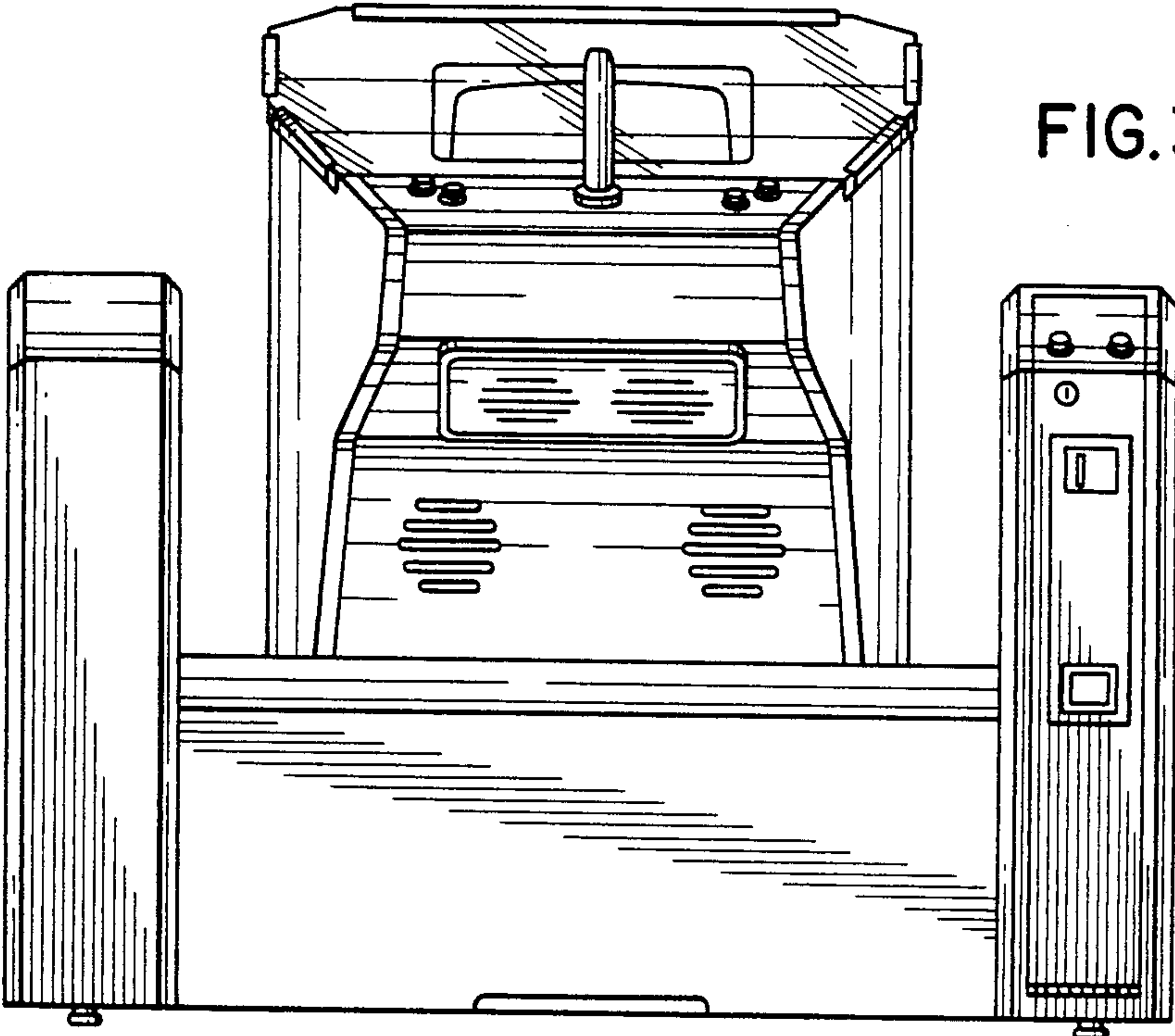


FIG. 3

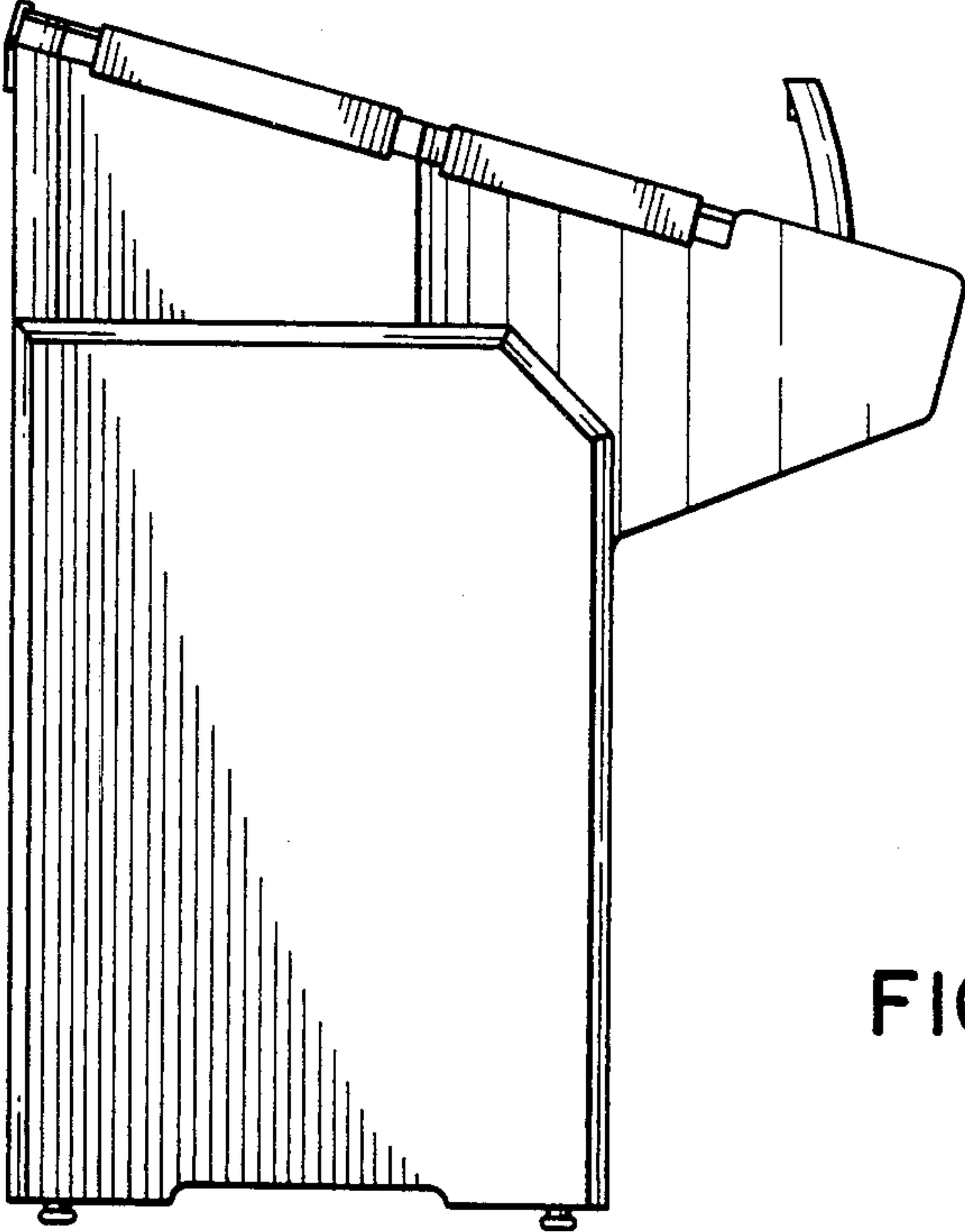


FIG. 4

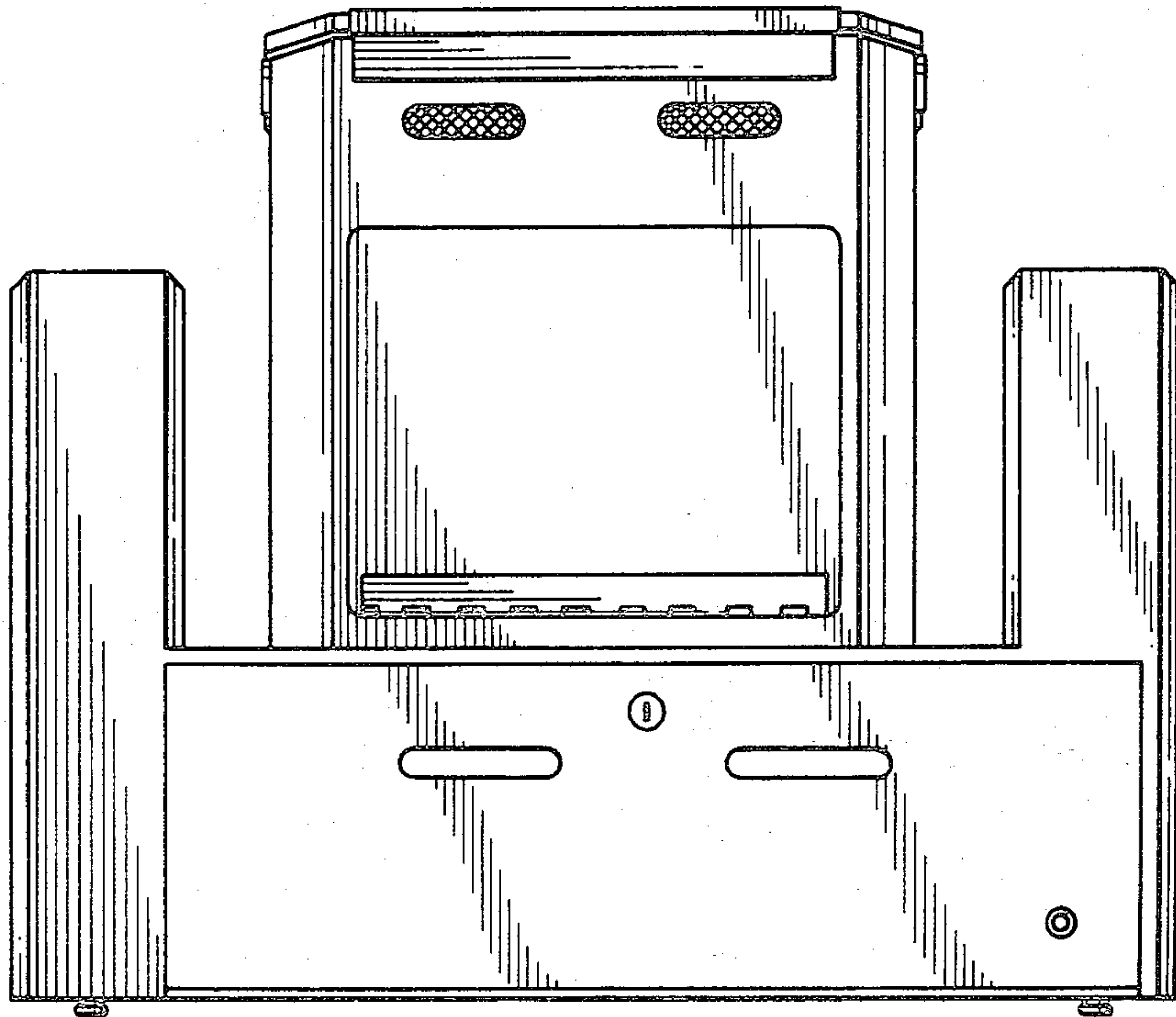


FIG. 5

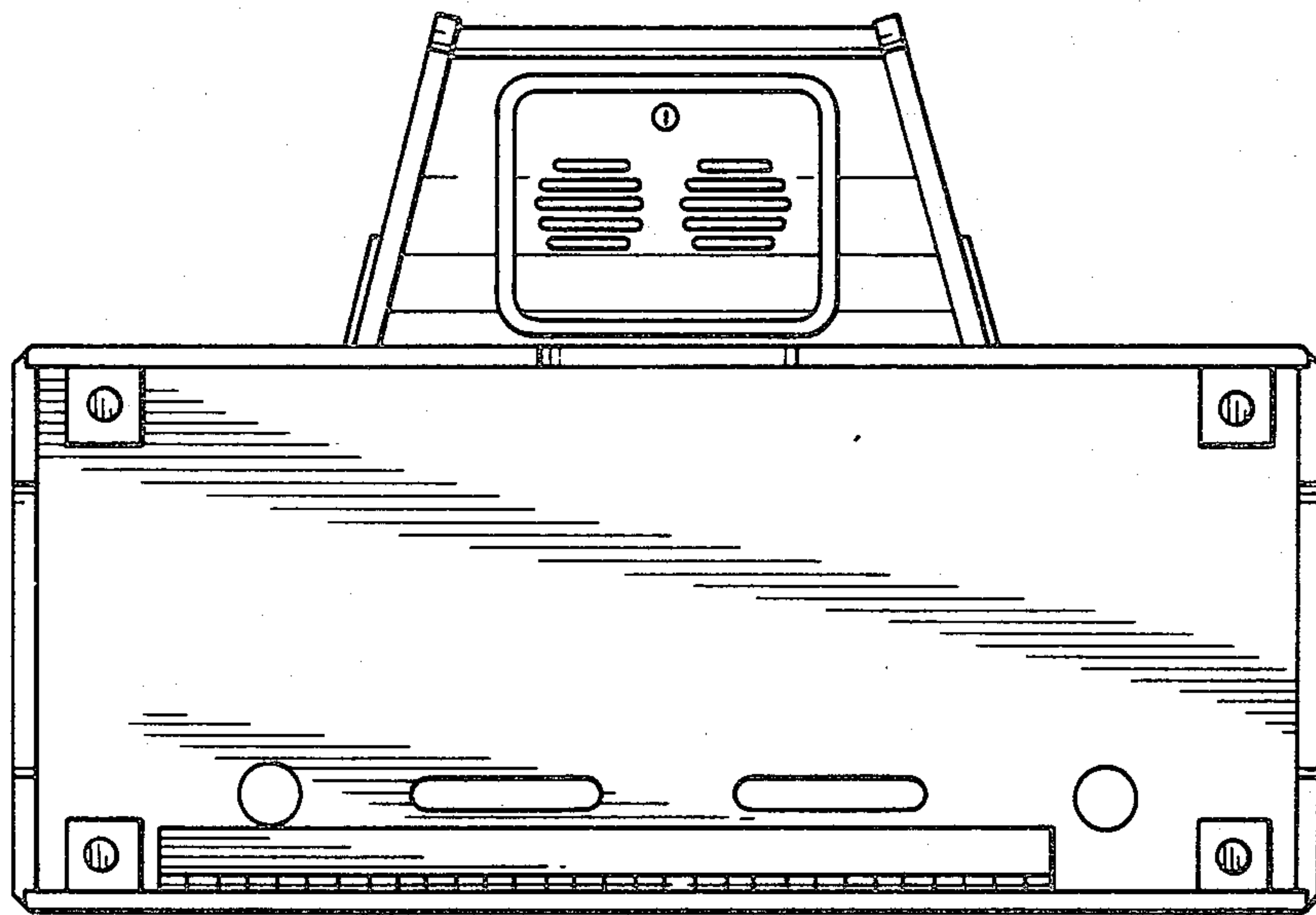


FIG. 6