

United States Patent [19]

Rubel

[11] Patent Number: **Des. 280,829**

[45] Date of Patent: **** Oct. 1, 1985**

[54] **PHOTOGRAPHIC LIGHT BRACKET**

[76] Inventor: **Kenneth L. Rubel**, 300 W. Hill, Apt. 916, Chicago, Ill. 60610

[**] Term: **14 Years**

[21] Appl. No.: **429,439**

[22] Filed: **Sep. 30, 1982**

[52] U.S. Cl. **D16/47**

[58] Field of Search D16/4, 38, 42, 44, 47; 354/82, 170, 173, 212, 293, 126; 352/243, 244; 248/176-177

[56] **References Cited**

U.S. PATENT DOCUMENTS

- D. 50,377 2/1917 Ehrlich D16/44
- D. 270,916 10/1983 Cheplo D16/47

2,484,982	10/1949	Coutant	352/243 X
3,820,148	6/1974	Osanai	354/170 X
4,051,493	9/1977	Nakagawa	354/126
4,091,402	5/1978	Siegel	354/82 X

Primary Examiner—Nelson C. Holtje
Attorney, Agent, or Firm—Eugene F. Friedman

[57] **CLAIM**

The ornamental design for a photographic light bracket, substantially as shown and described.

DESCRIPTION

FIG. 1 is a left side elevational view of a photographic light bracket showing my new design, the right side being a mirror image thereof;
 FIG. 2 is a front elevational view thereof;
 FIG. 3 is a top plan view thereof;
 FIG. 4 is a rear elevational view thereof;
 FIG. 5 is a bottom plan view thereof.

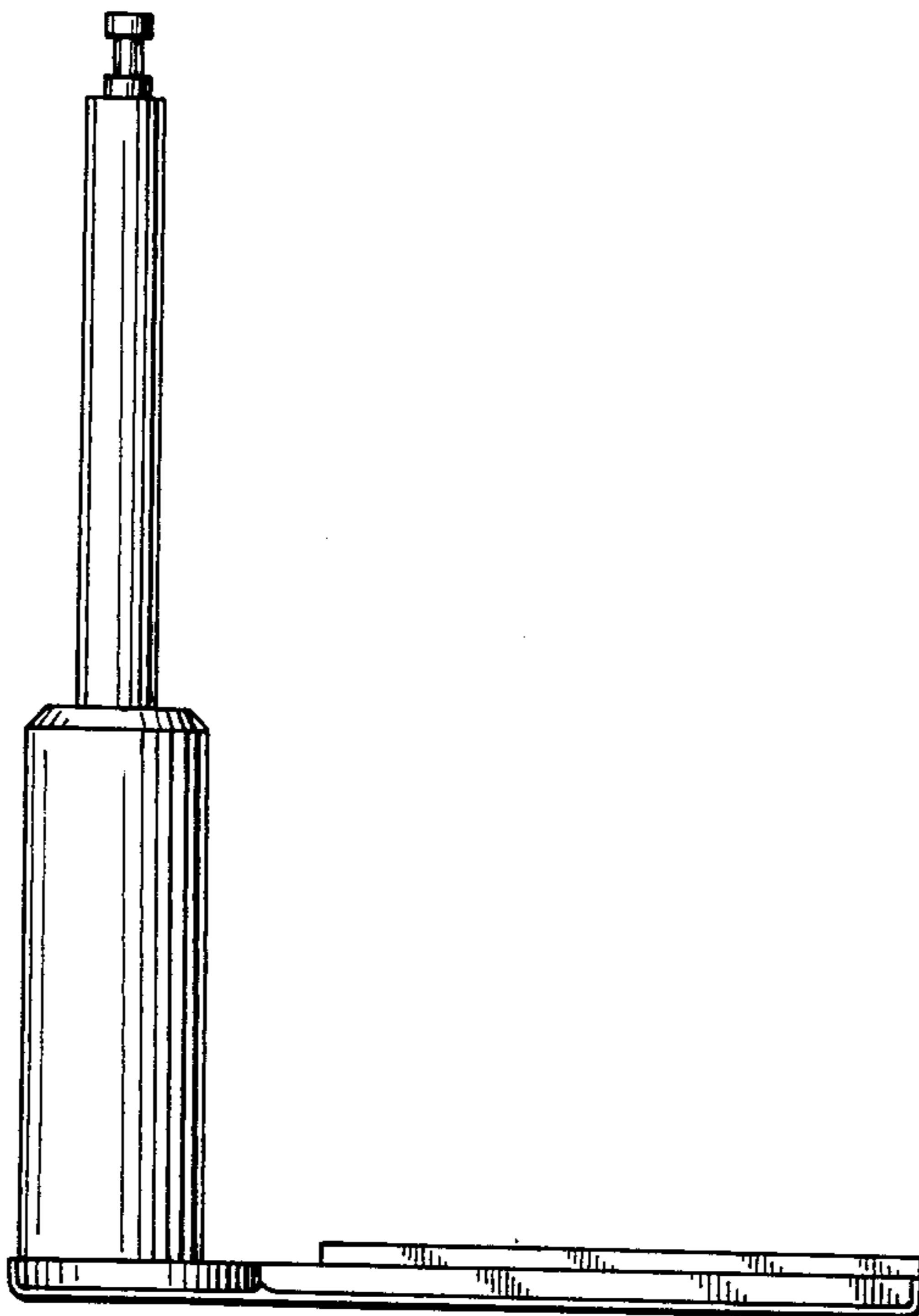


FIG. 1

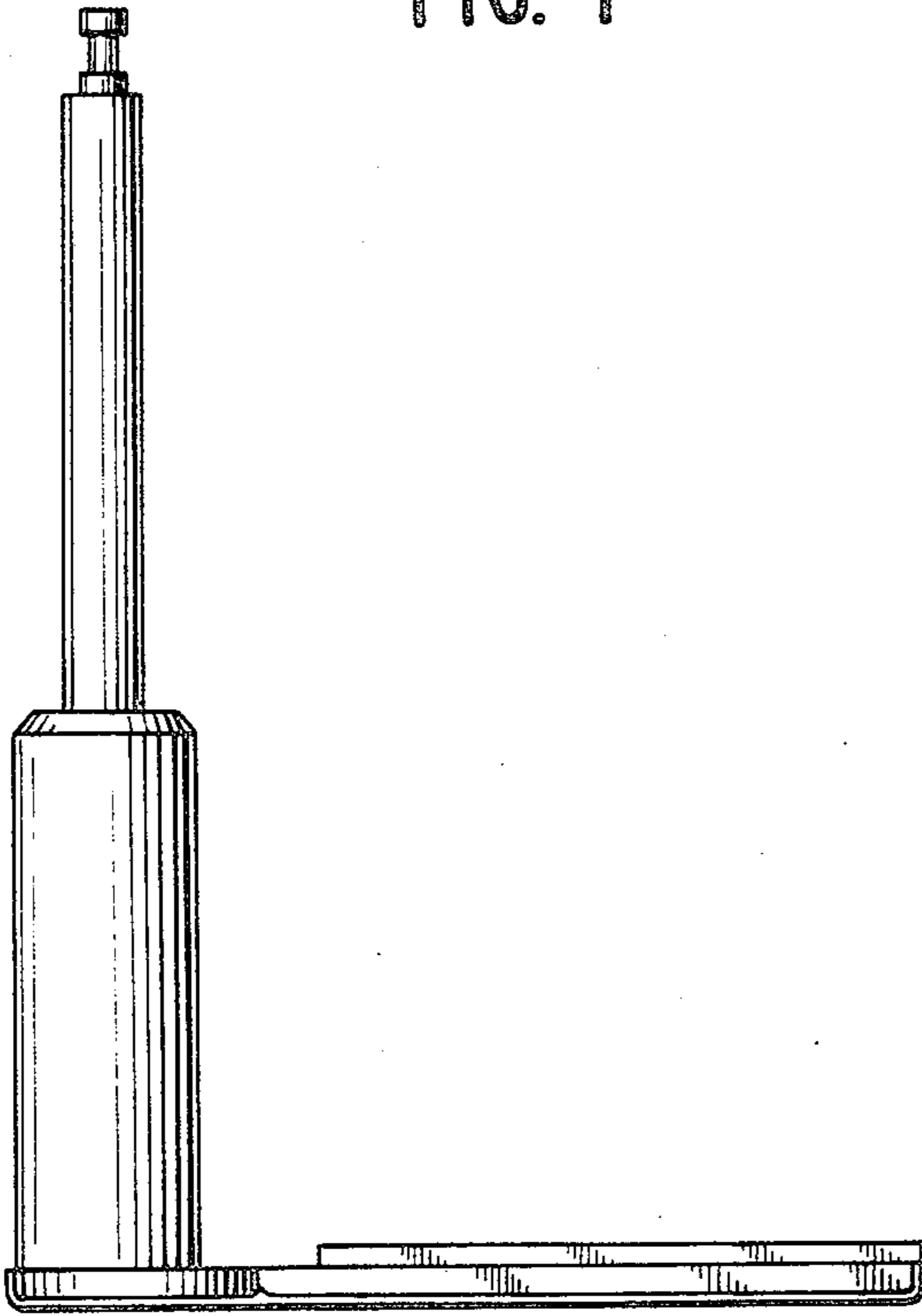


FIG. 2

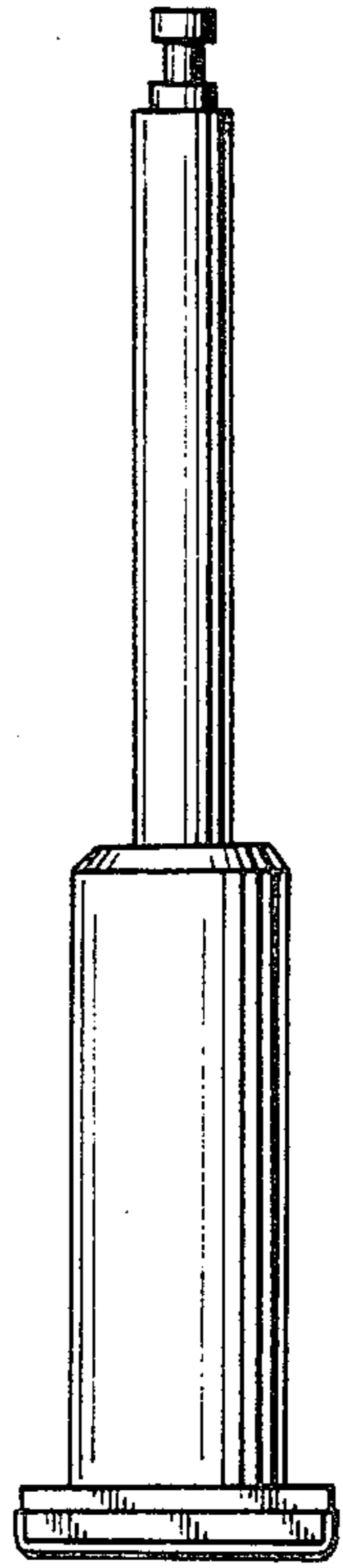


FIG. 3

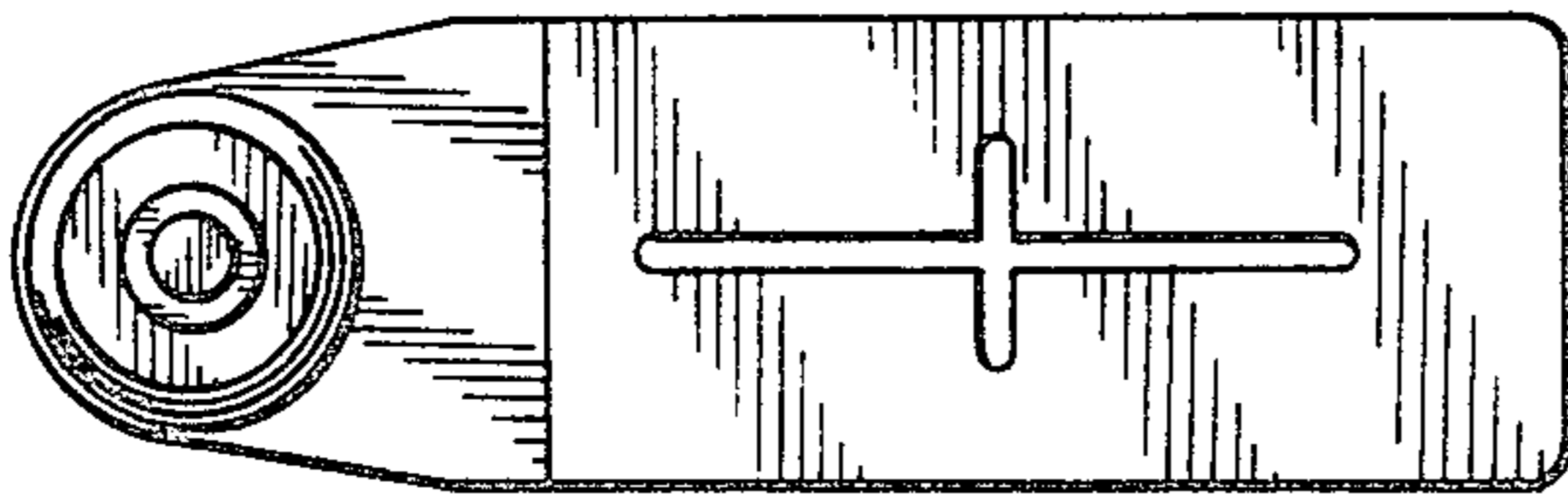


FIG. 4

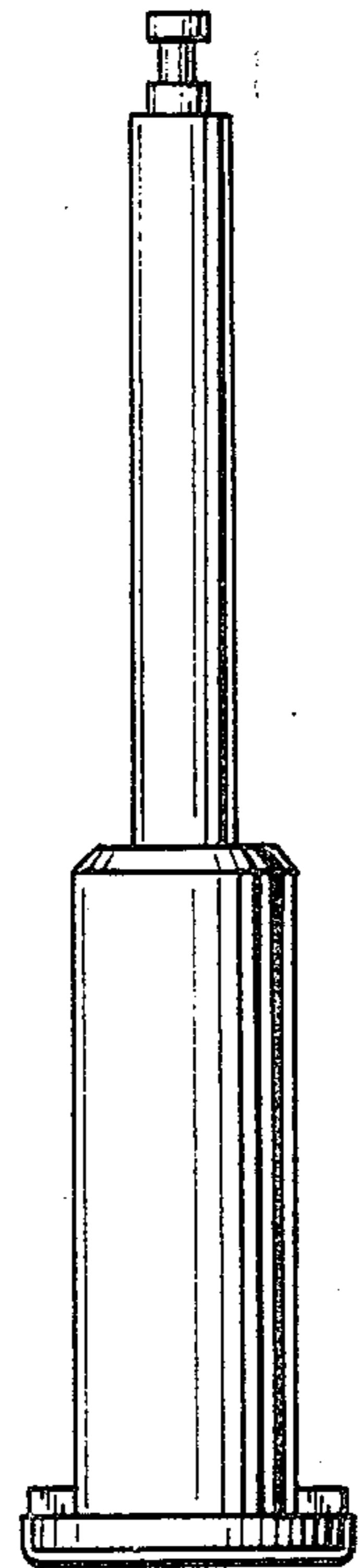


FIG. 5

