

# United States Patent [19]

Kuroki

[11] Patent Number: Des. 280,826

[45] Date of Patent: \*\* Oct. 1, 1985

[54] SEWING MACHINE

[75] Inventor: Nobufusa Kuroki, Machida, Japan

[73] Assignee: Janome Sewing Machine Co. Ltd.,  
Tokyo, Japan

[\*\*] Term: 14 Years

[21] Appl. No.: 464,732

[22] Filed: Feb. 7, 1983

[30] Foreign Application Priority Data

Dec. 20, 1982 [JP] Japan ..... 57-56675

[52] U.S. Cl. .... D15/69

[58] Field of Search ..... D15/69, 66, 70, 68;  
112/63, 258-261

[56] References Cited

### U.S. PATENT DOCUMENTS

D. 220,066 3/1971 Eguchi et al. .... D15/69  
D. 221,308 7/1971 Grange ..... D15/69  
D. 223,966 6/1972 Current ..... D15/70  
D. 243,686 3/1977 Ito ..... D15/68

D. 249,693 9/1978 Kasahara et al. .... D15/68  
D. 270,913 10/1983 Kosugi ..... D15/69  
4,099,474 7/1978 Hamlett et al. .... 112/258  
4,314,517 2/1982 Kasahara et al. .... 112/260

### OTHER PUBLICATIONS

Bernina 830 Electronic Catalog, p. 6, Sewing Machine.

Primary Examiner—Bernard Ansher

Assistant Examiner—Linda Titolo

Attorney, Agent, or Firm—Michael J. Striker

[57] CLAIM

The ornamental design for a sewing machine, substantially as shown and described.

### DESCRIPTION

FIG. 1 is a front elevational view of a sewing machine showing my new design;

FIG. 2 is a rear elevational view thereof;

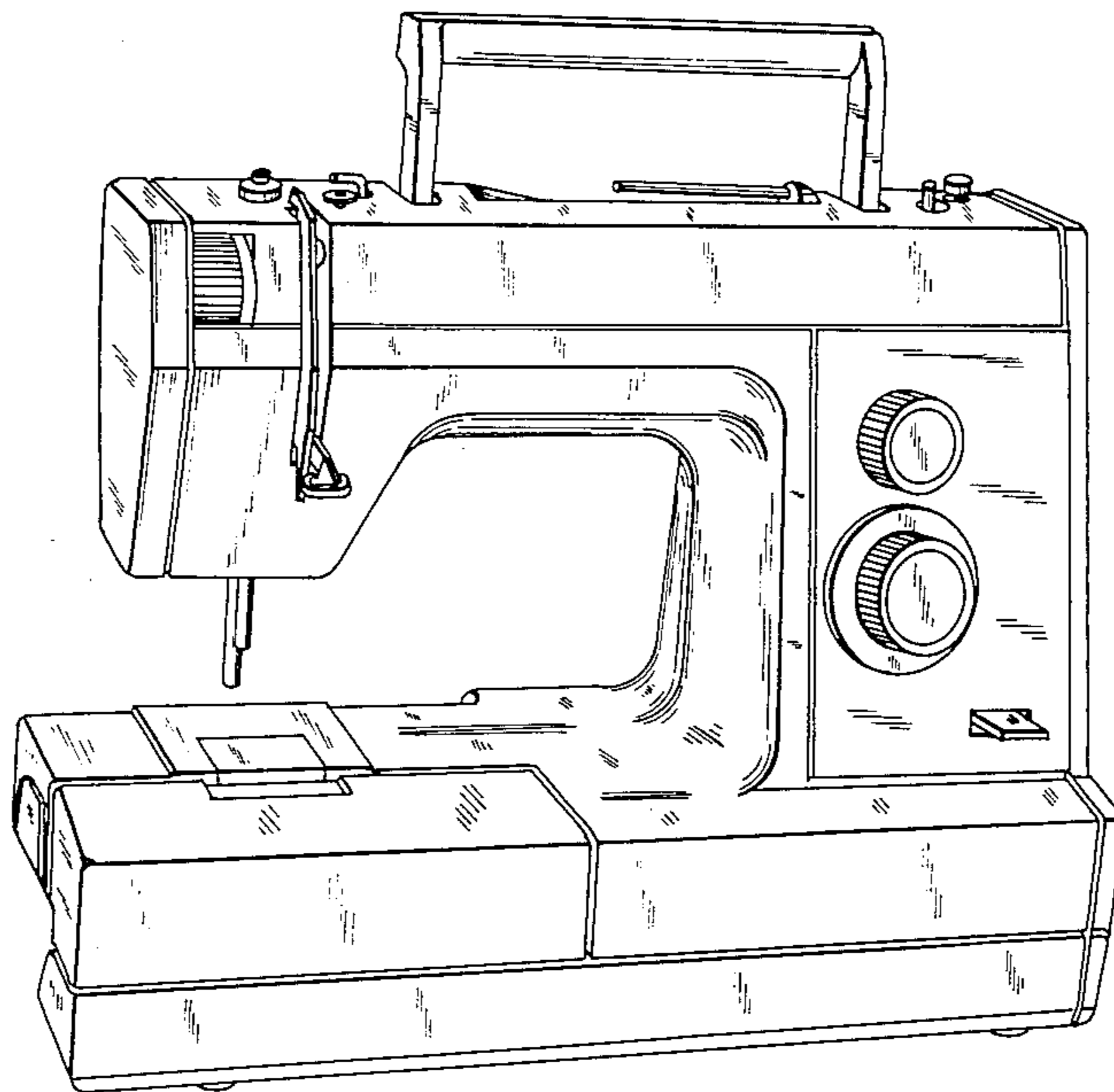
FIG. 3 is a top plan view thereof;

FIG. 4 is a bottom plan view thereof;

FIG. 5 is a left side elevational view thereof;

FIG. 6 is a right side elevational view thereof; and

FIG. 7 is a top front perspective view thereof.



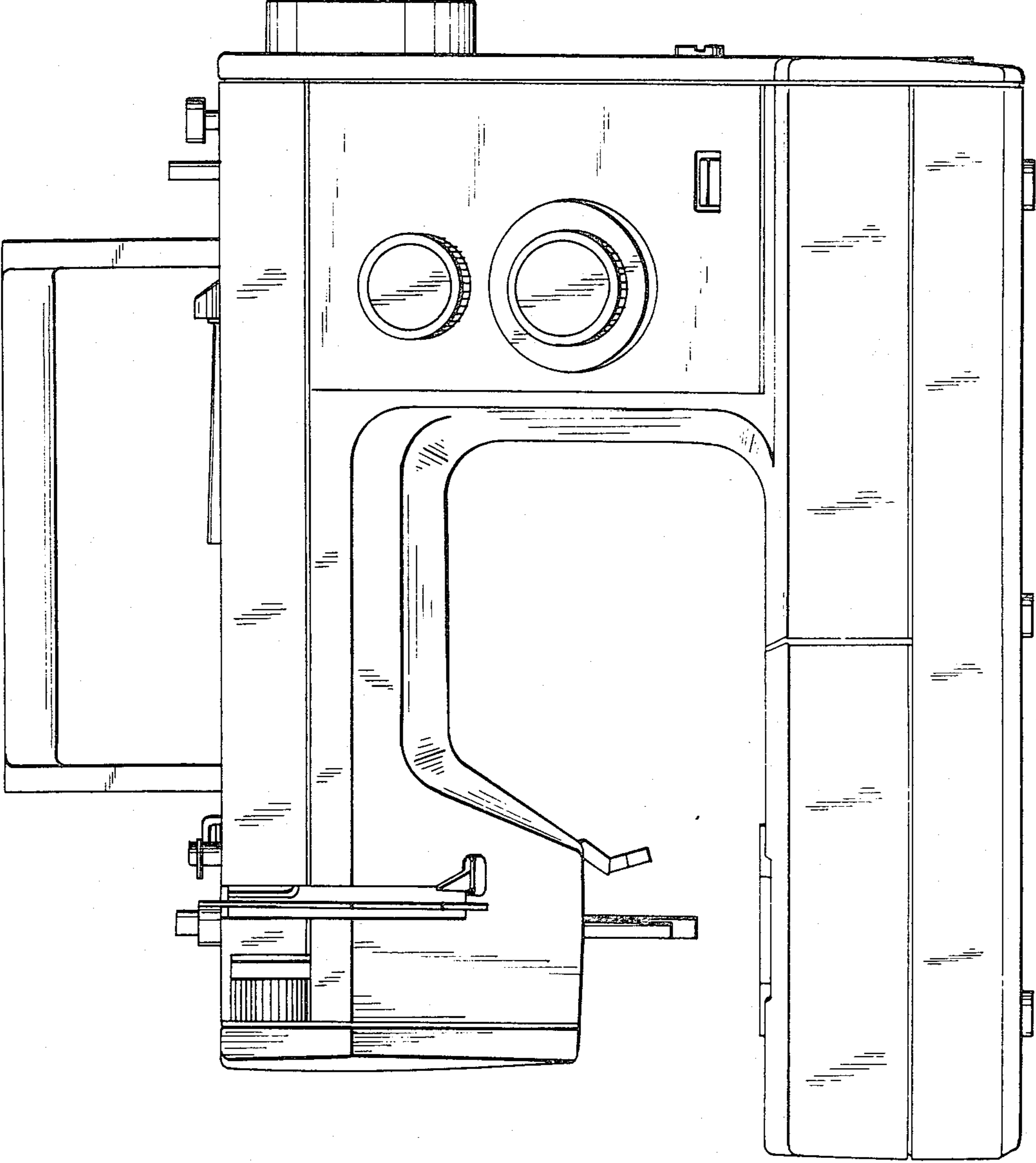


FIG. 1

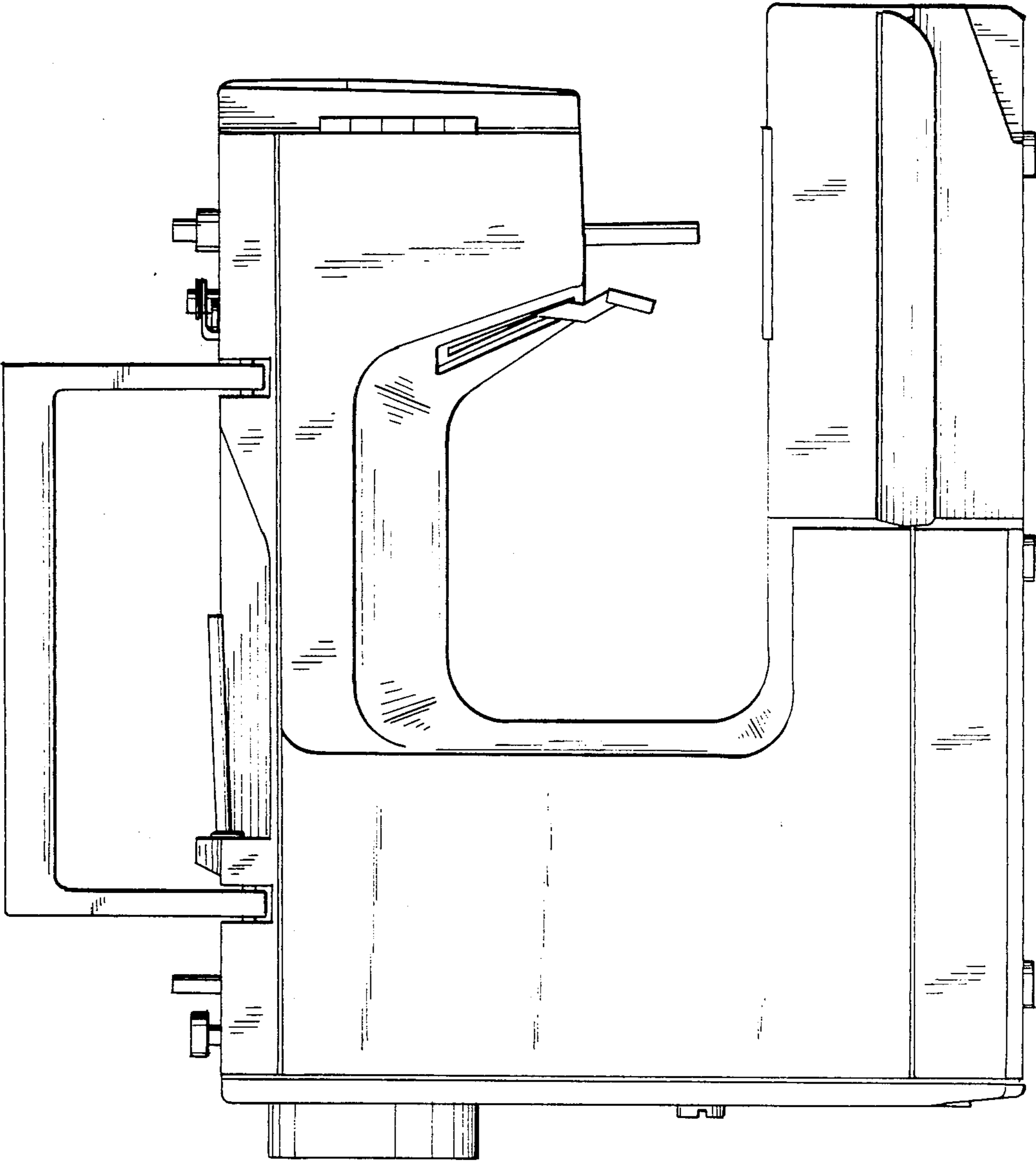


FIG. 2

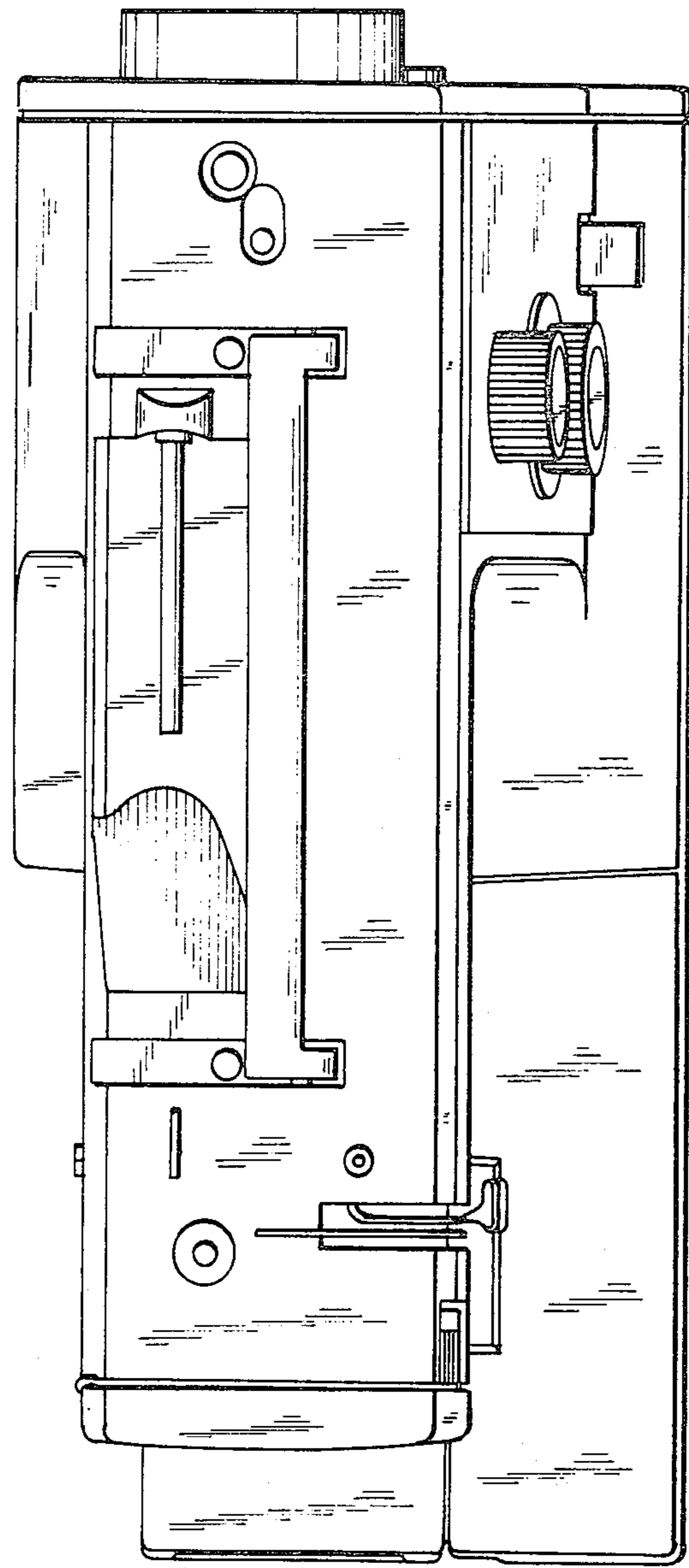


FIG. 3

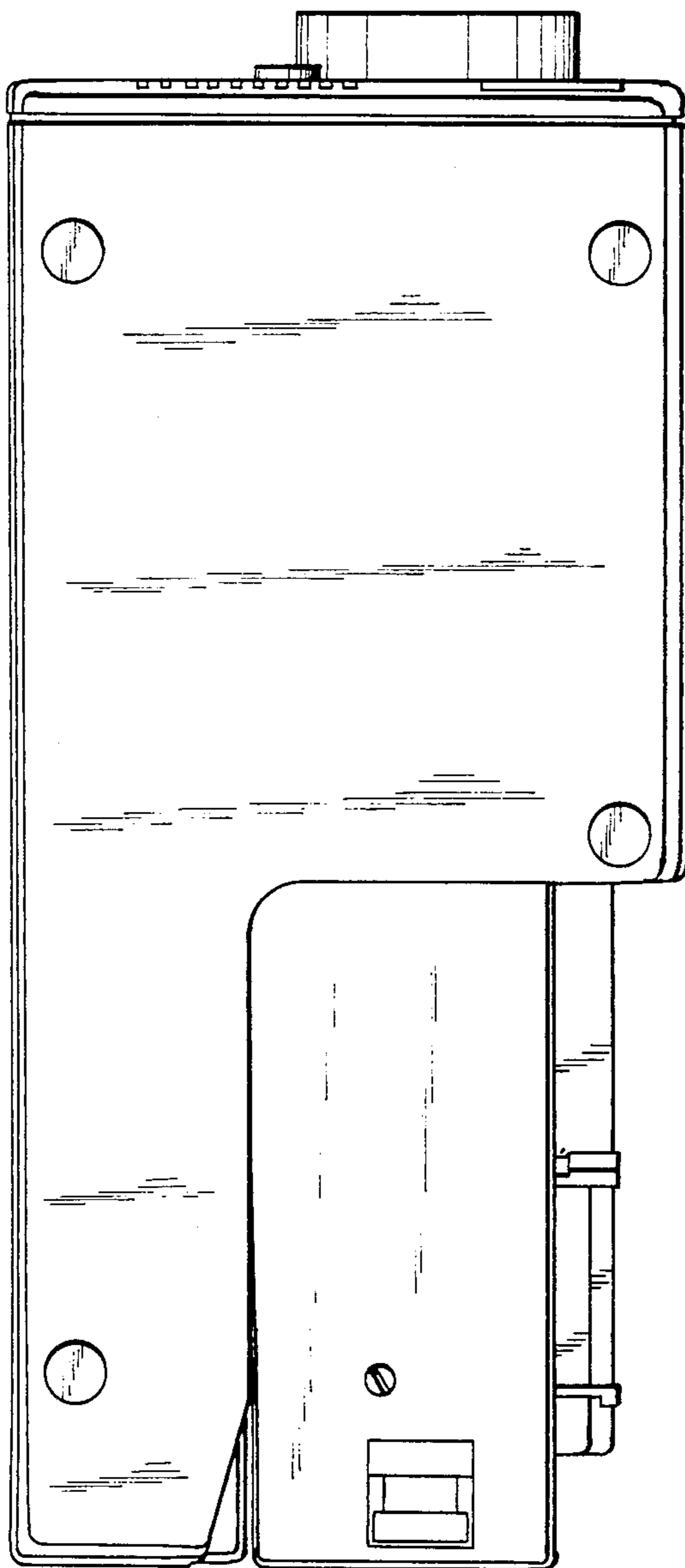


FIG. 4

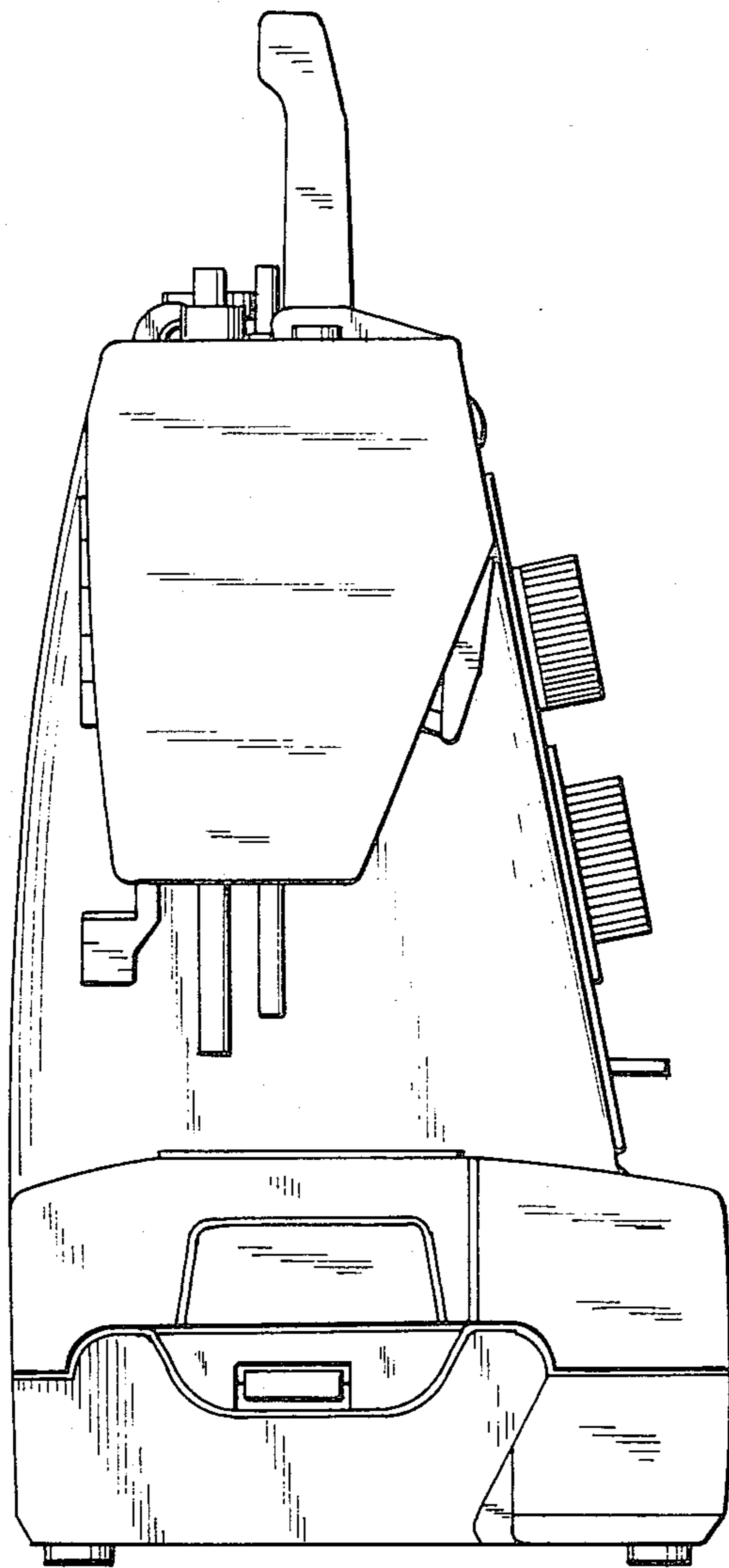


FIG. 5

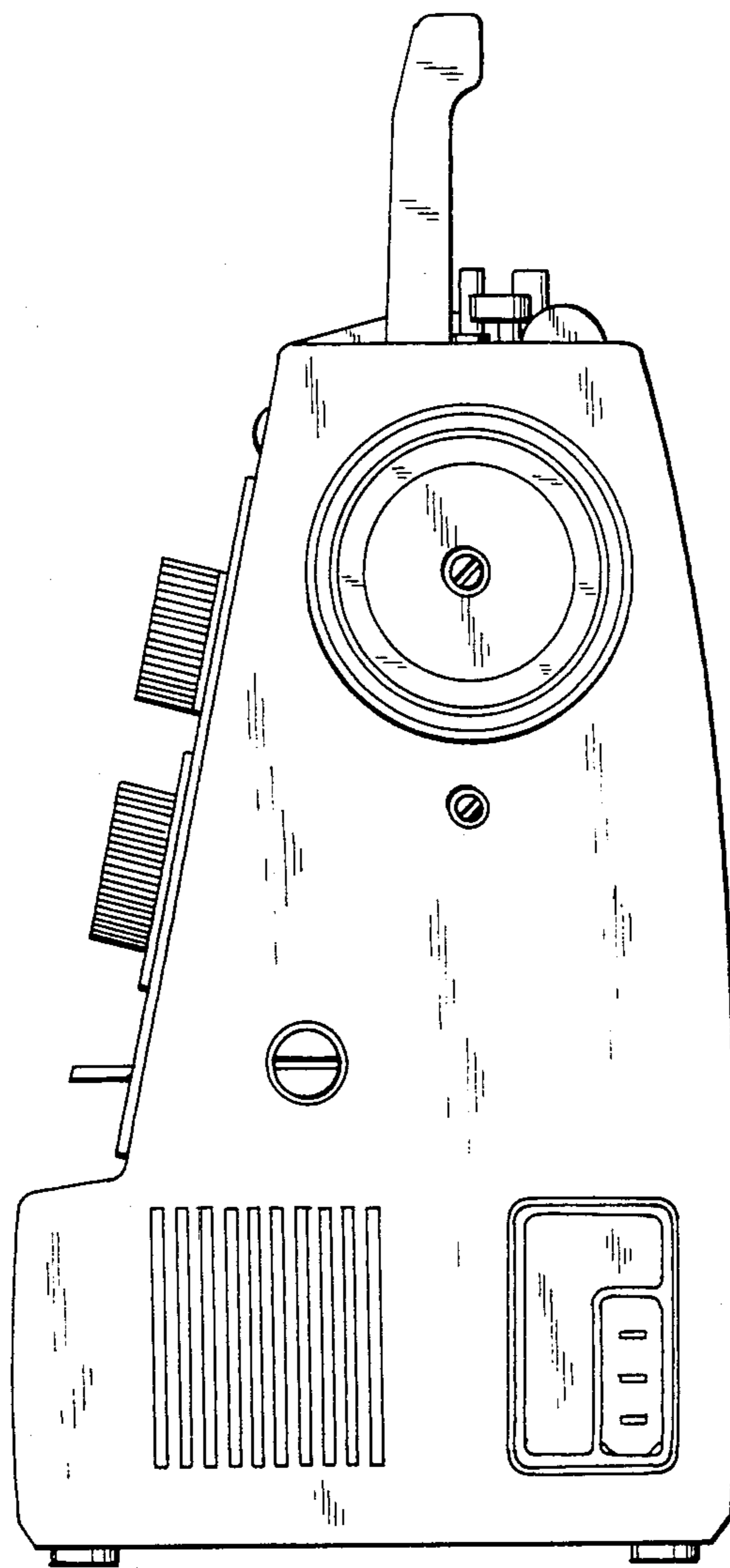


FIG. 6

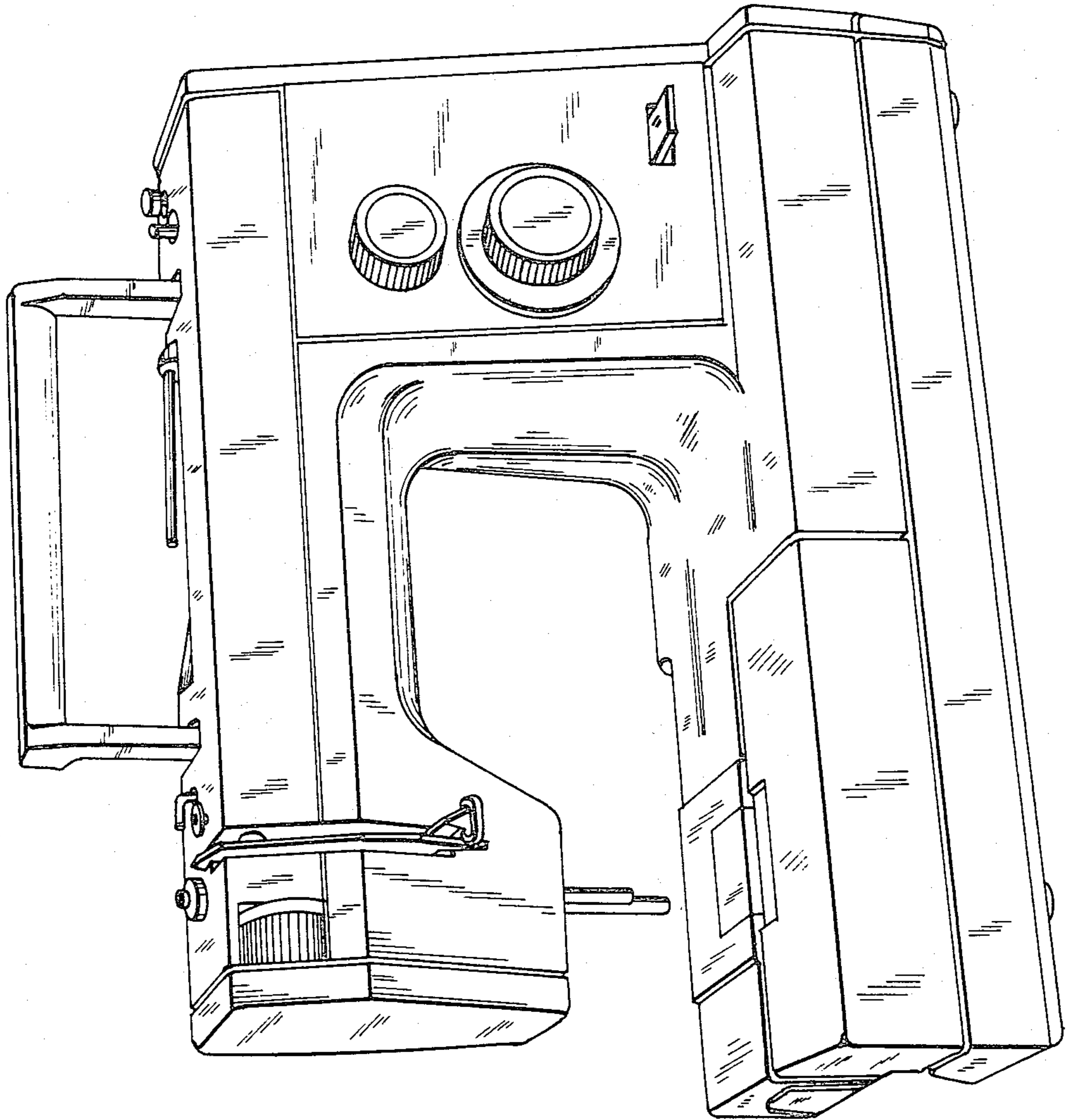


FIG. 7