

United States Patent [19]

Mikado

[11] Patent Number: **Des. 280,824**

[45] Date of Patent: **** Oct. 1, 1985**

[54] **CULTIVATOR**

[75] Inventor: **Yoshio Mikado, Saitama, Japan**

[73] Assignee: **Honda Giken Kogyo Kabushiki Kaisha, Japan**

[**] Term: **14 Years**

[21] Appl. No.: **478,945**

[22] Filed: **Mar. 25, 1983**

[30] **Foreign Application Priority Data**

Oct. 26, 1982 [JP] Japan 57-48545

[52] U.S. Cl. **D15/12**

[58] Field of Search D15/10, 11, 12, 21;
172/42, 43

[56] **References Cited**

U.S. PATENT DOCUMENTS

D. 249,518 9/1978 Cognata et al. D15/12

3,442,335 5/1969 Silbereis et al. 172/43
3,559,743 2/1971 Hastings 172/43
3,792,734 2/1974 Ellis et al. 172/43
4,191,259 3/1980 Boren 172/43

Primary Examiner—B. J. Bullock
Assistant Examiner—Suzanne N. Gitlin
Attorney, Agent, or Firm—Sughrue, Mion, Zinn,
Macpeak and Seas

[57] **CLAIM**

The ornamental design for a cultivator, as shown.

DESCRIPTION

FIG. 1 is a front, top and right side perspective view of a cultivator showing my new design;
FIG. 2 is a front elevational view thereof;
FIG. 3 is a rear elevational view thereof;
FIG. 4 is a top plan view thereof;
FIG. 5 is a bottom plan view thereof;
FIG. 6 is a left side elevational view thereof; and
FIG. 7 is a right side elevational view thereof.

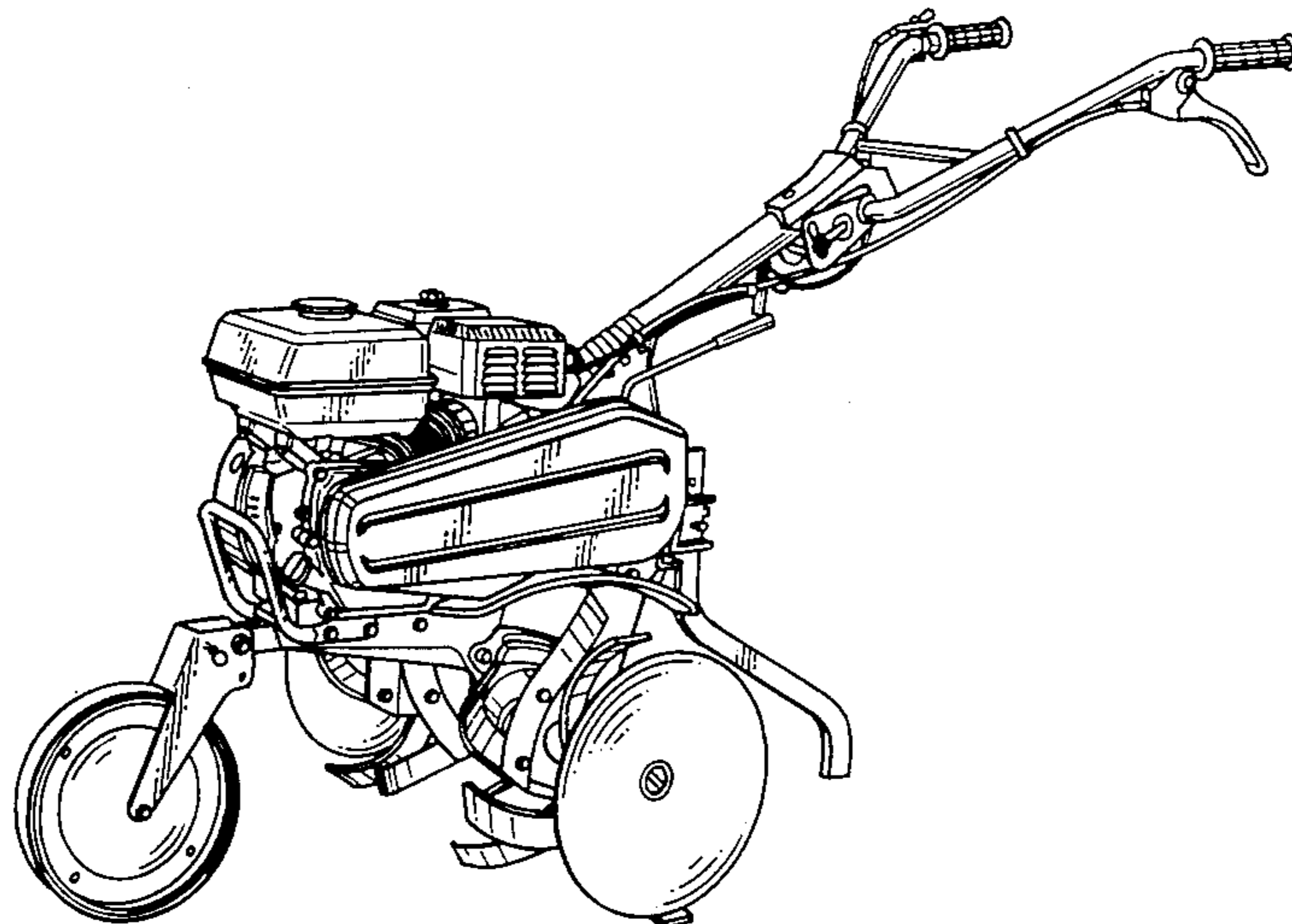


Fig. 1

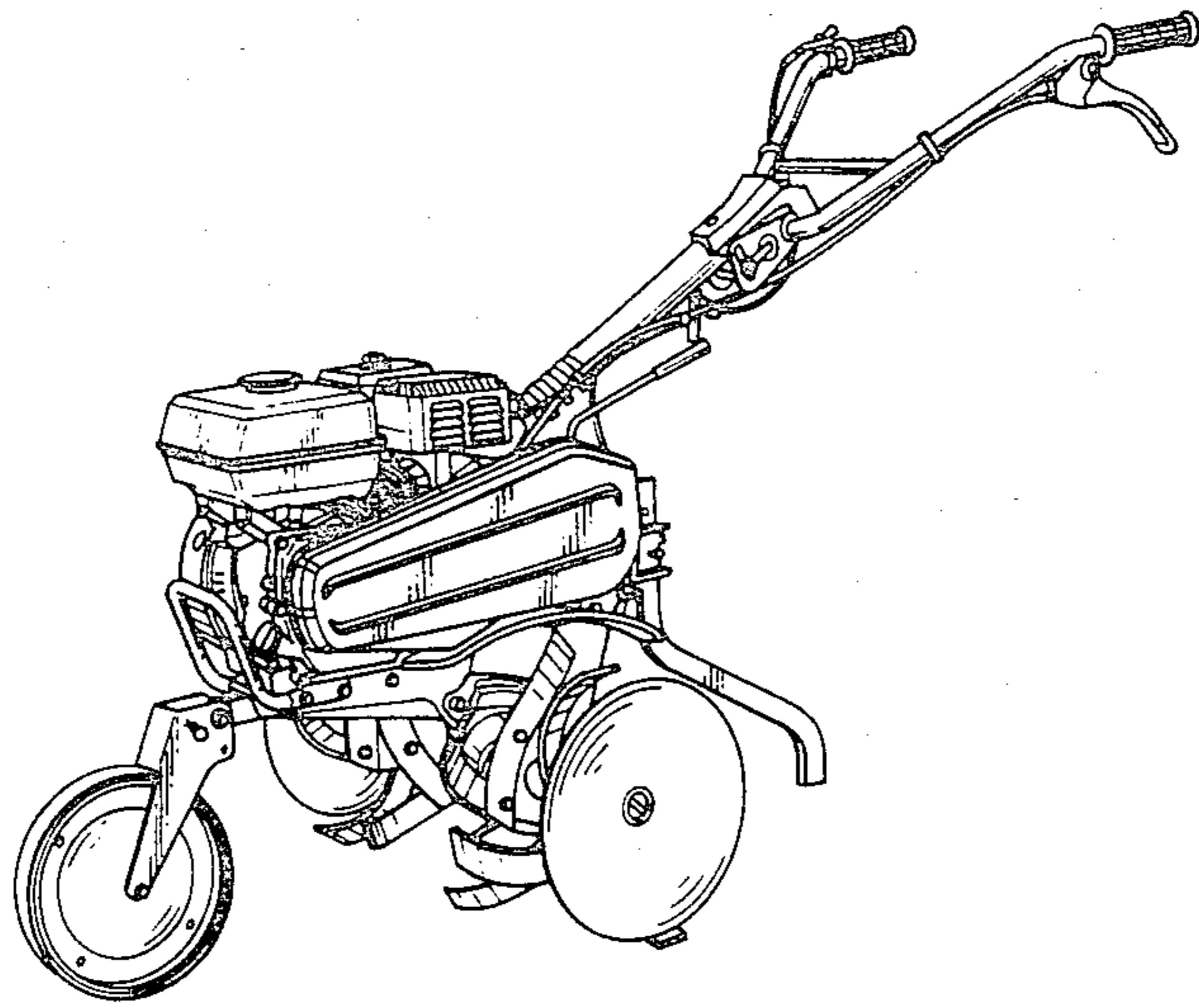


Fig. 2

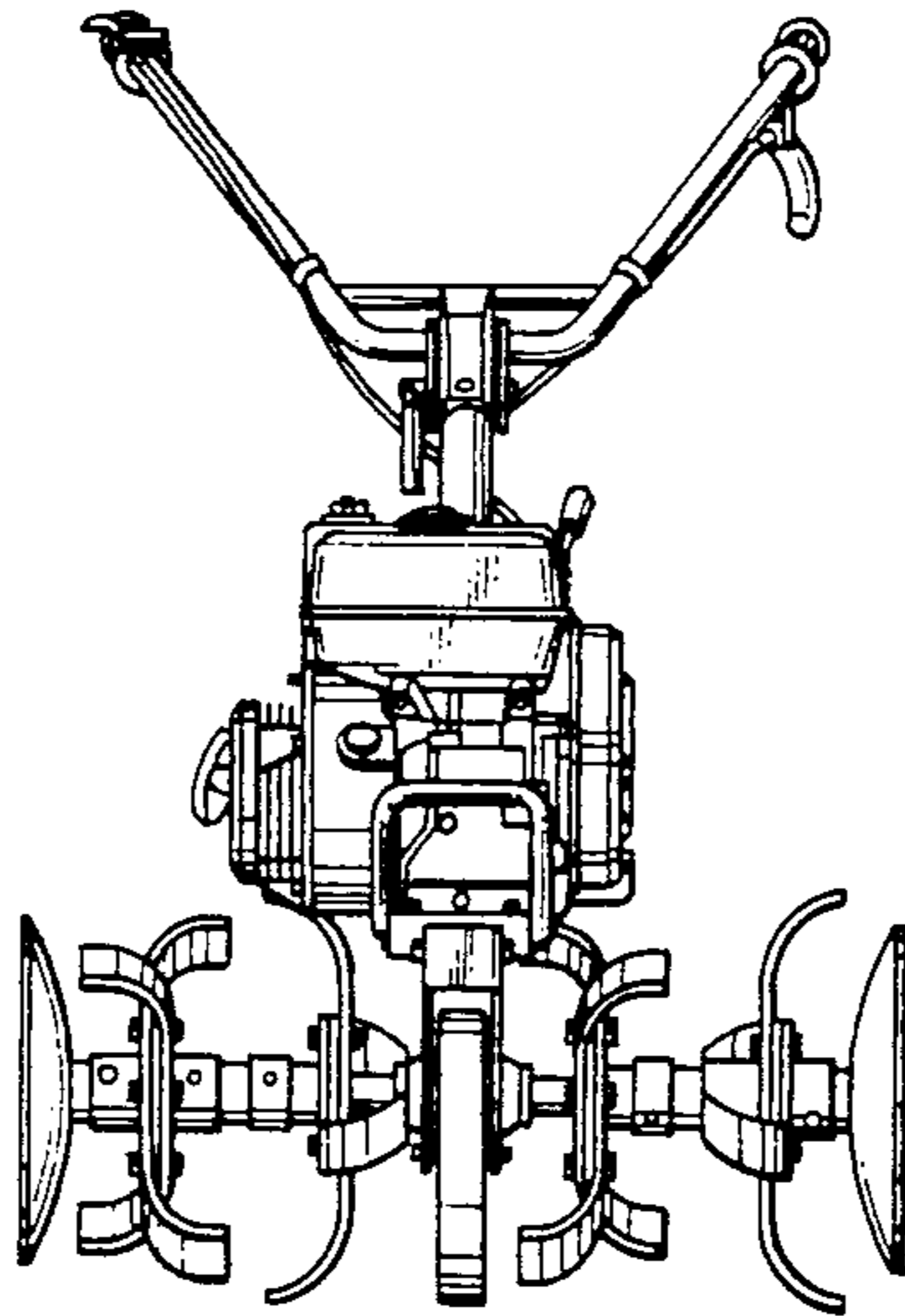


Fig. 3

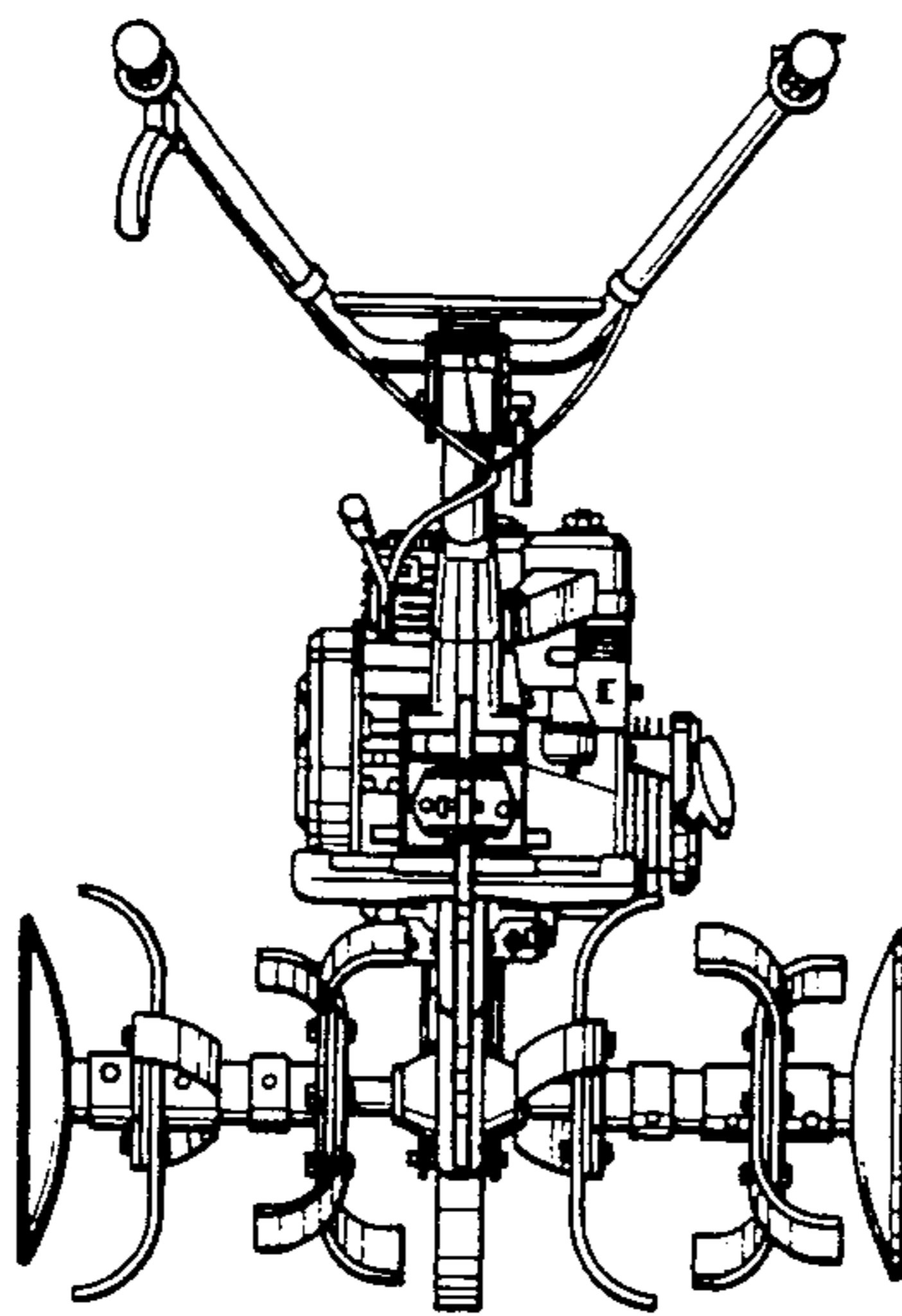


Fig. 4

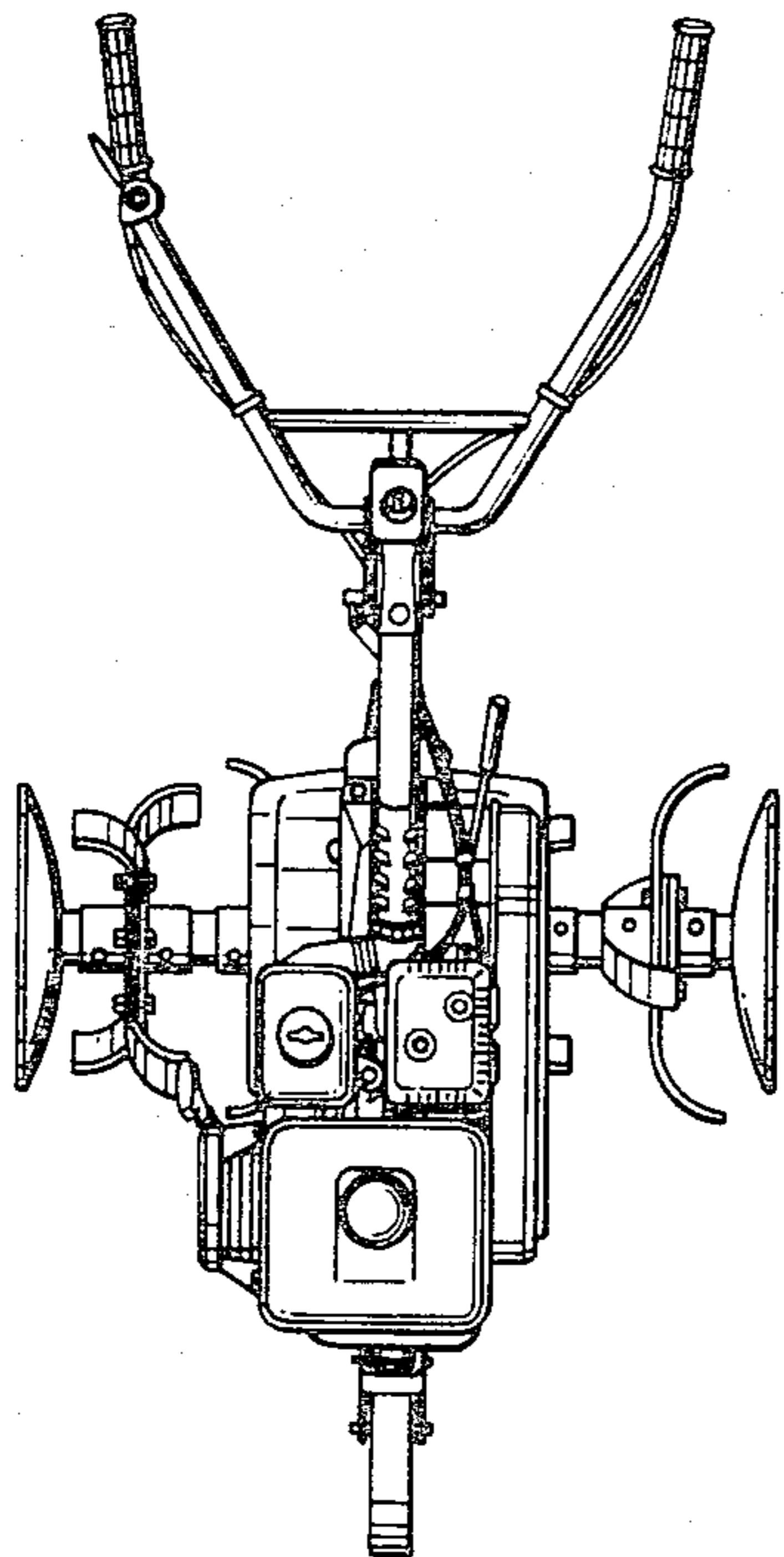


Fig. 5

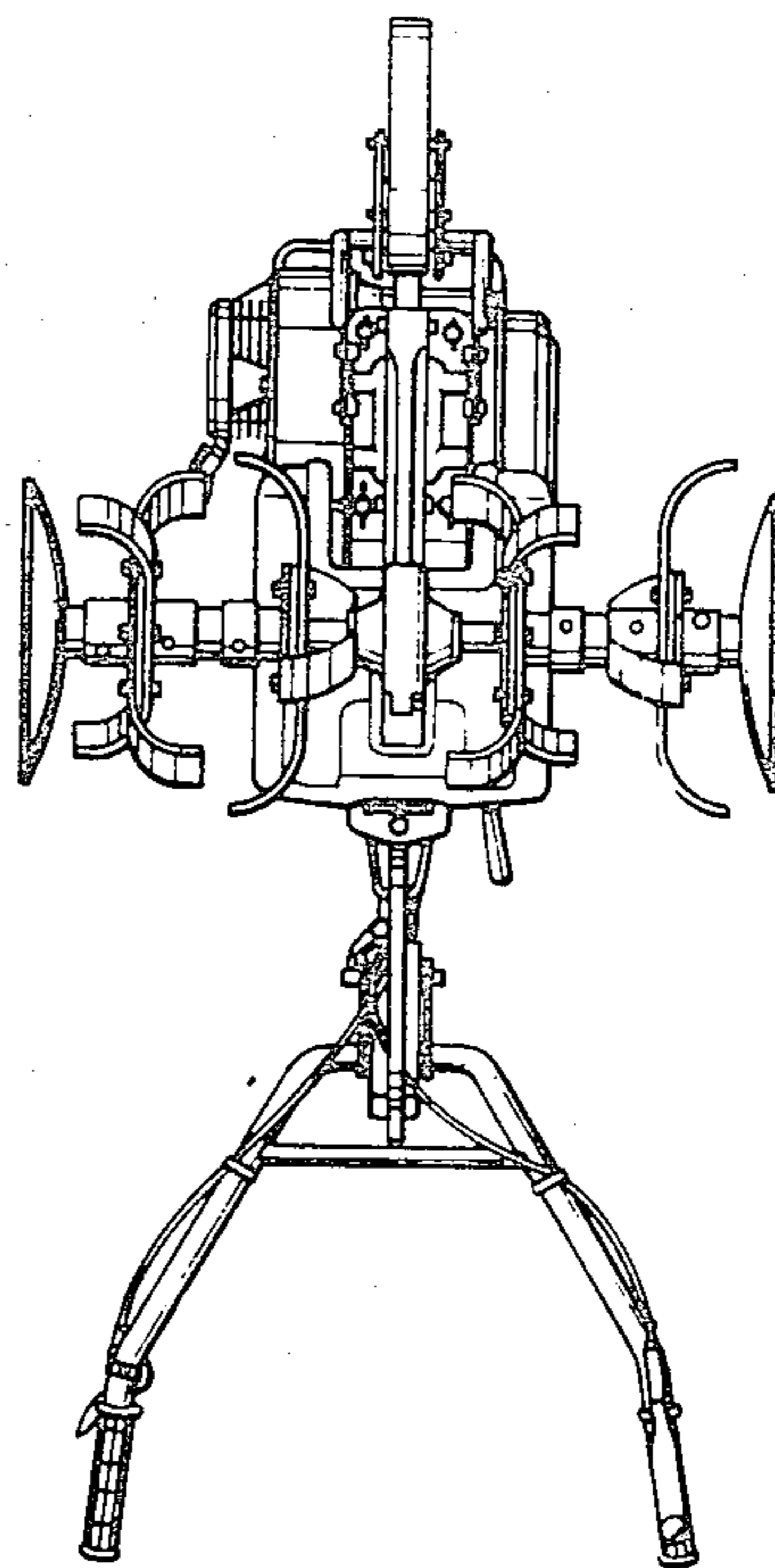


Fig. 6

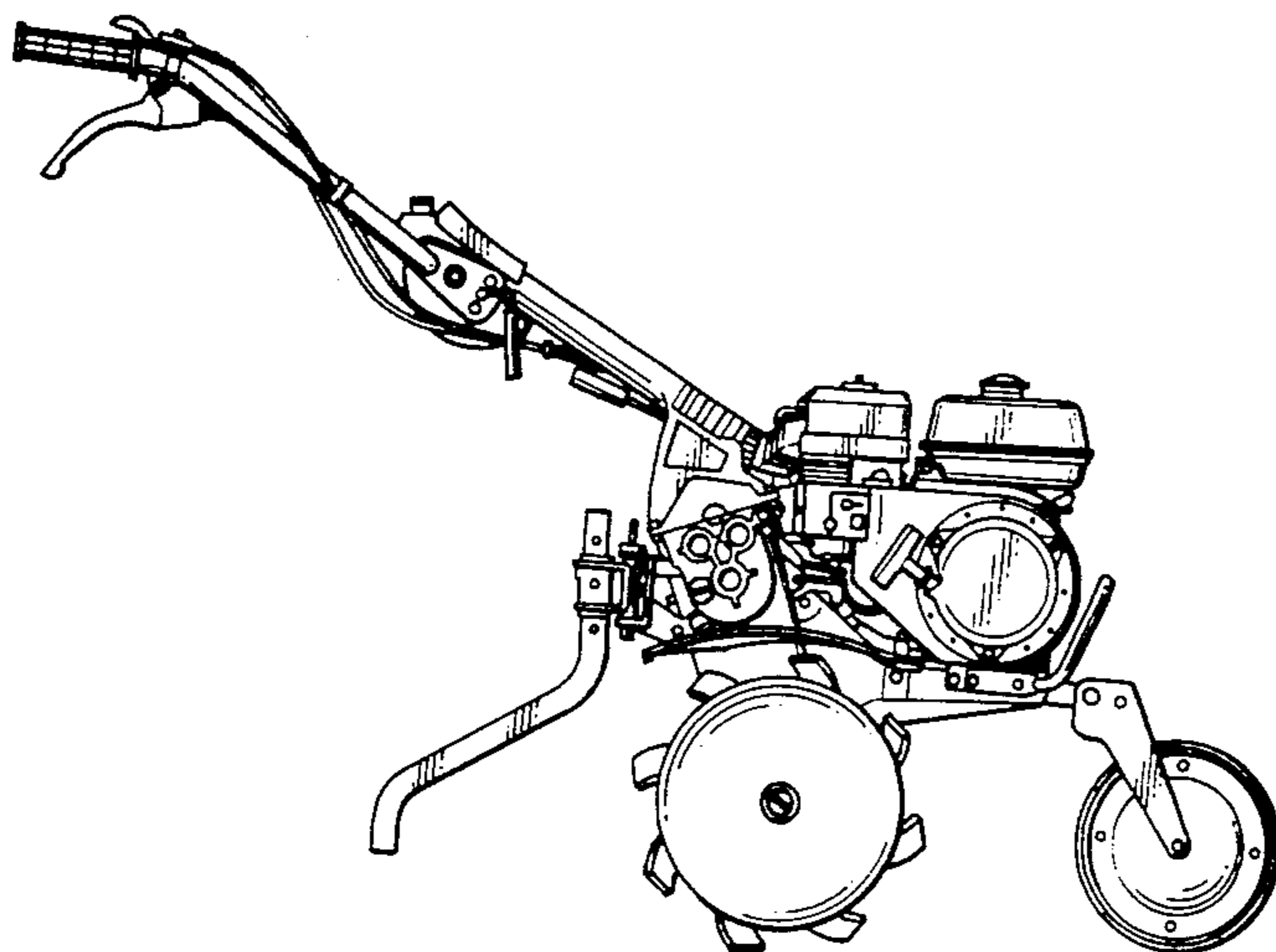


Fig. 7

