

[54] **CRT WORK STATION**

[75] **Inventors:** Robert Winters, Santa Cruz; Farouk Arjani, Los Altos Hills, both of Calif.

[73] **Assignee:** Pitney Bowes Inc., Stamford, Conn.

[**] **Term:** 14 Years

[21] **Appl. No.:** 490,809

[22] **Filed:** May 2, 1983

[52] **U.S. Cl.** D14/106

[58] **Field of Search** D14/100, 106, 109, 113,
D14/77, 81, 82, 84; 340/700, 706, 711, 720;
358/249, 254; 312/7.2

[56] **References Cited**

U.S. PATENT DOCUMENTS

D. 244,205 5/1977 Benham et al. D14/113 X

OTHER PUBLICATIONS

Computer Dealers' Asso. Microcomputer Catalog, 1979, p. 17, Teletype Corp. Teleprinter.

Computer Design, 1-1982, p. 63, Wyse Technology Inc. Display.

Info Systems, 10-1981, p. 9, Xerox ® Display.

Pacific Mountain States Corp. Ad, 1980, IBM 3101 Display Terminal.

MIS Week, 3-5-1981, Low-Profile Personal Terminal.

Primary Examiner—Susan J. Lucas

Attorney, Agent, or Firm—Robert H. Whisker; William D. Soltow, Jr.; David E. Pitchenik

[57] **CLAIM**

The ornamental design for a CRT work station, as shown and described.

DESCRIPTION

FIG. 1 is a perspective view of a crt work station showing our new design;

FIG. 2 is a front elevational view thereof;

FIG. 3 is a front elevational view of the display, the keyboard being omitted for purposes of disclosure;

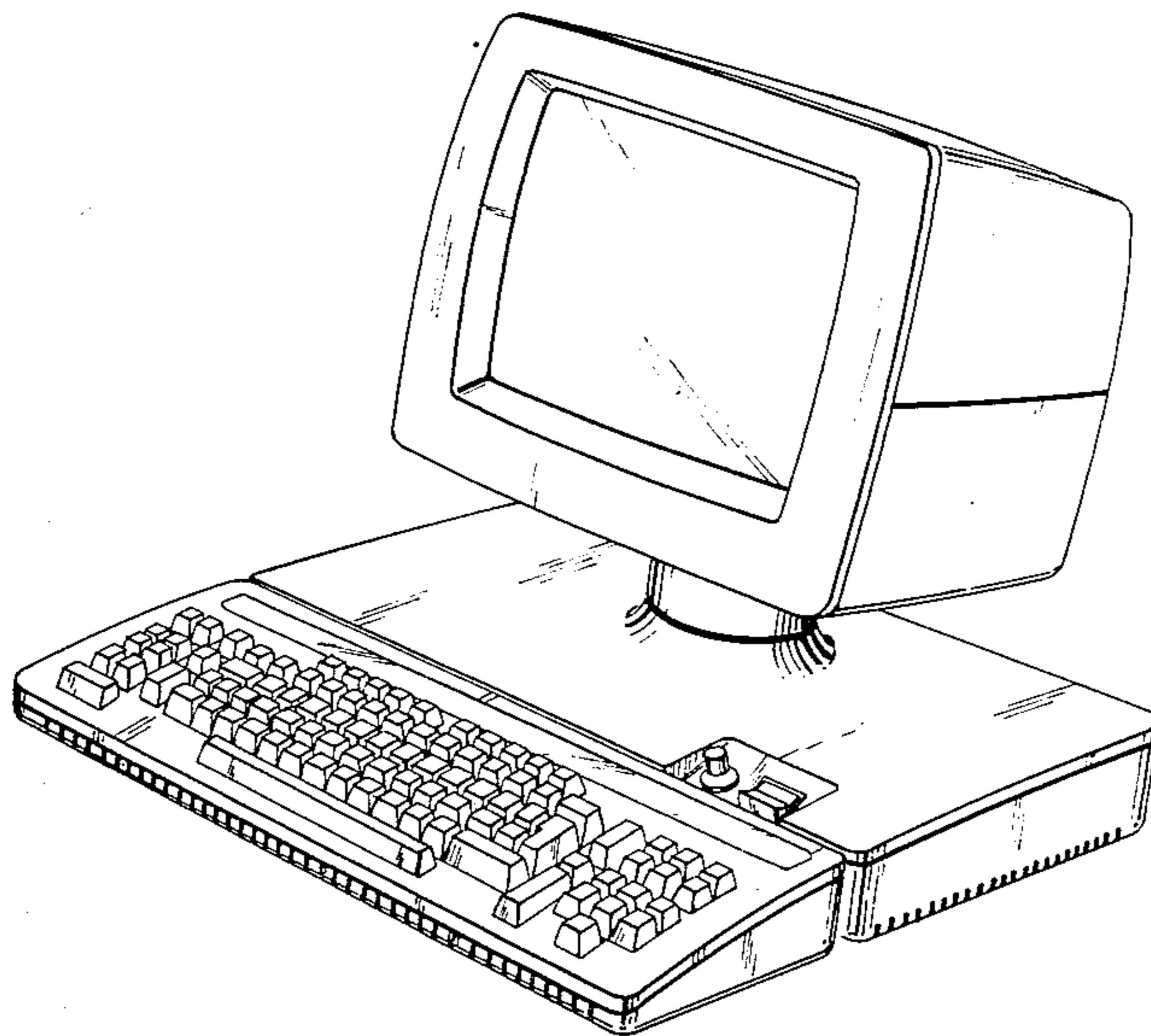
FIG. 4 is a left side elevational view thereof, the right side being a mirror image;

FIG. 5 is a rear elevational view thereof;

FIG. 6 is a rear elevational view of the keyboard, the display being omitted for the purposes of disclosure;

FIG. 7 is a top plan view thereof;

The left side elevational view being substantially identical to the right side.



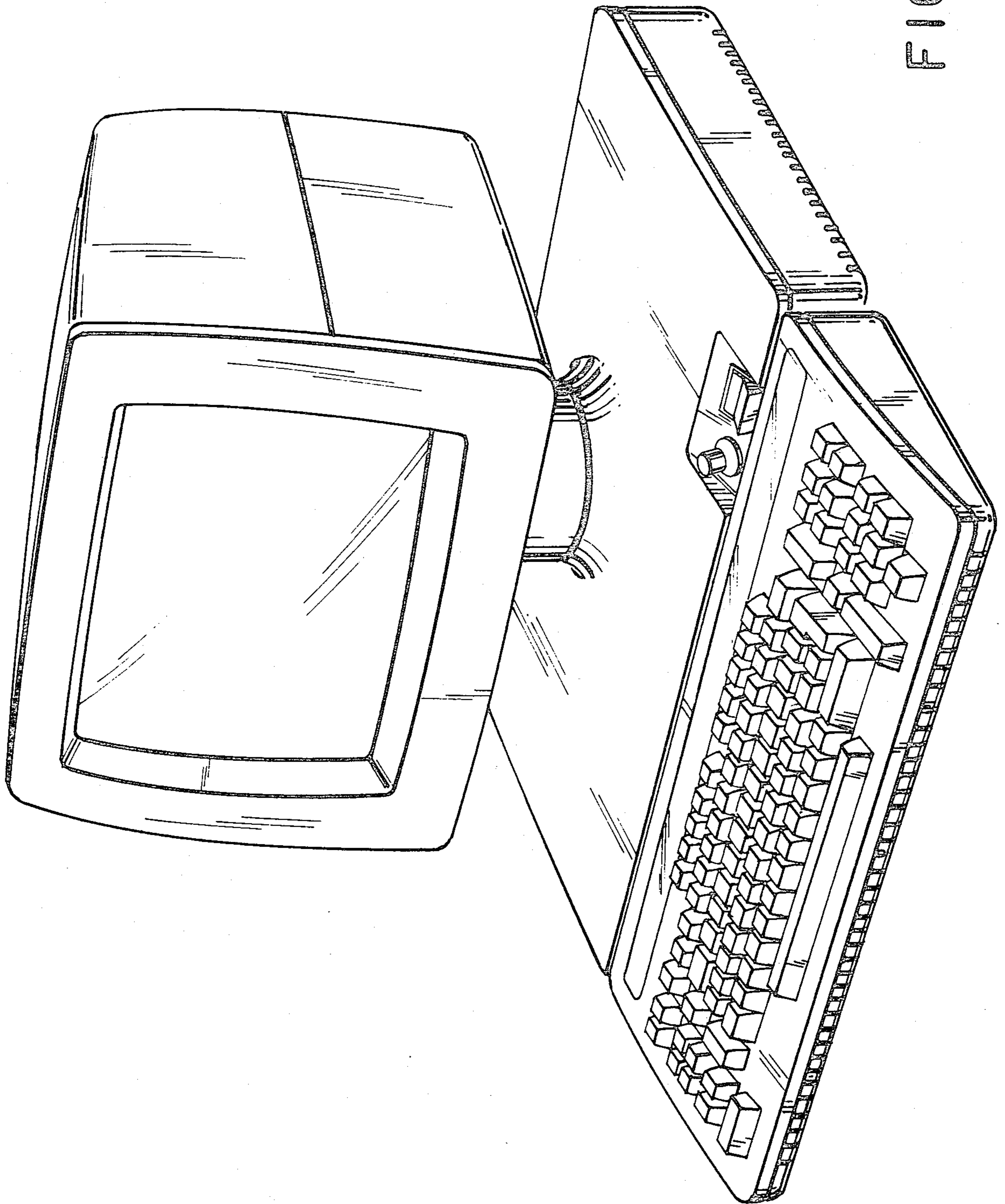


FIG. 1

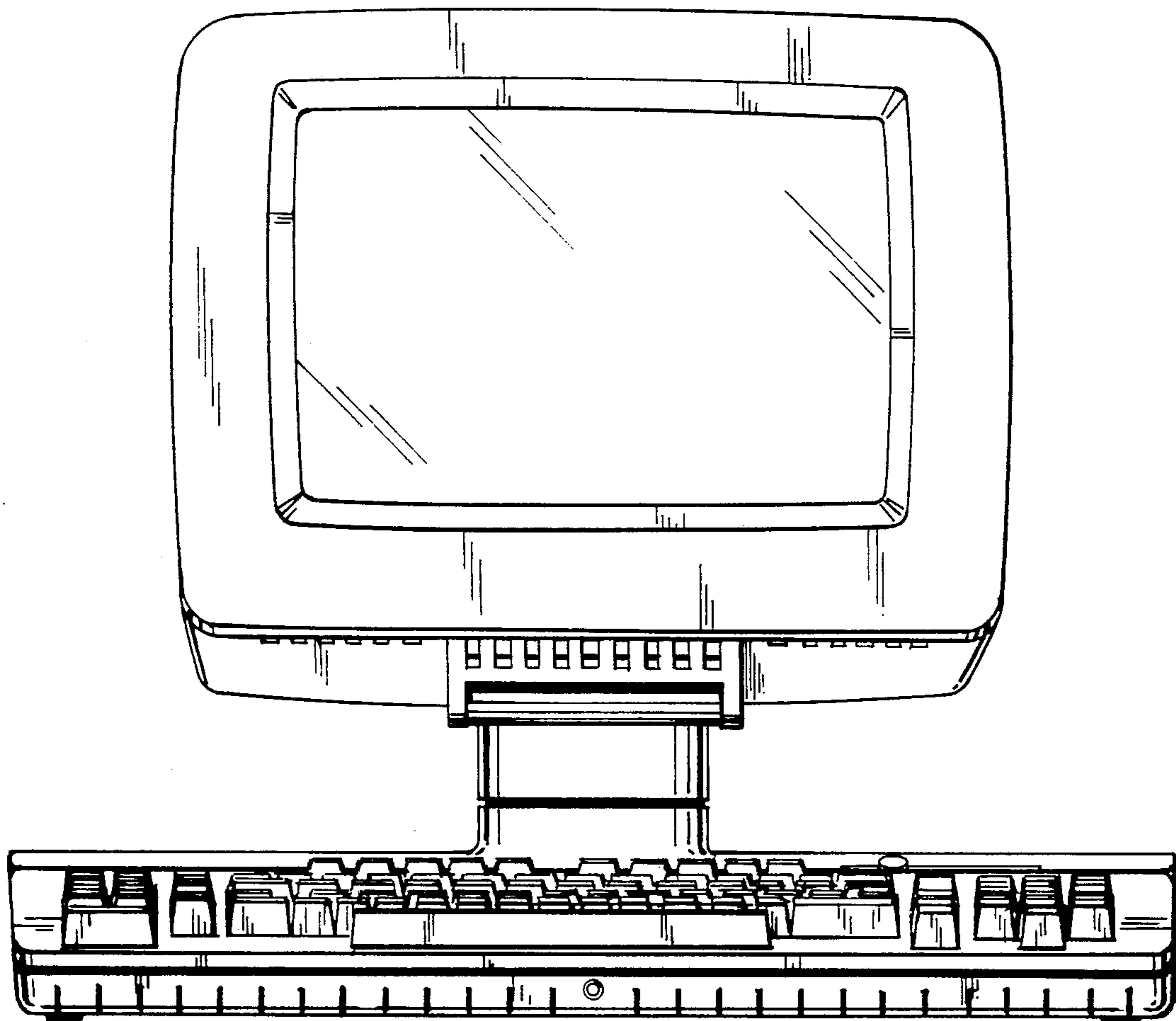


FIG. 2

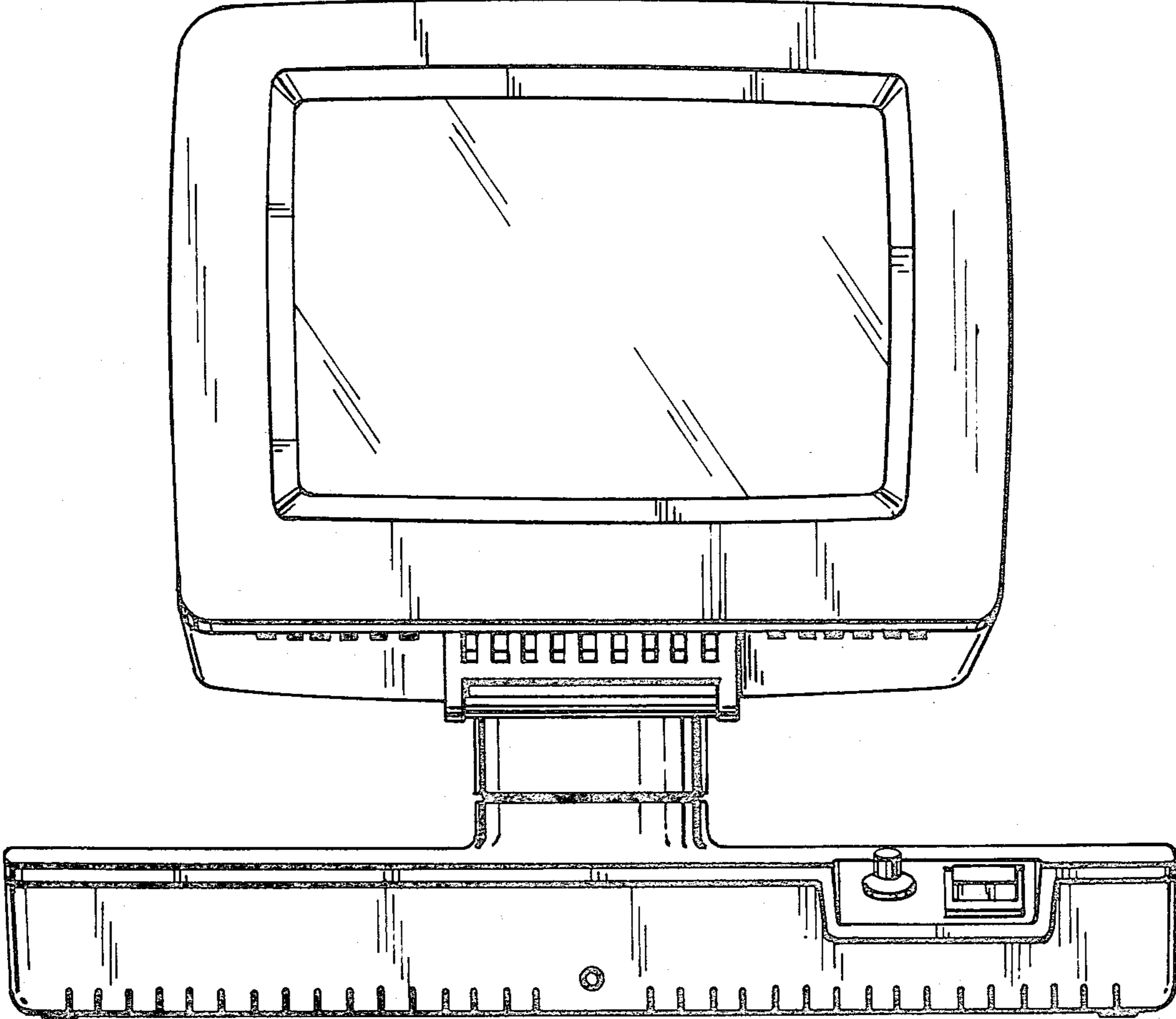


FIG. 3

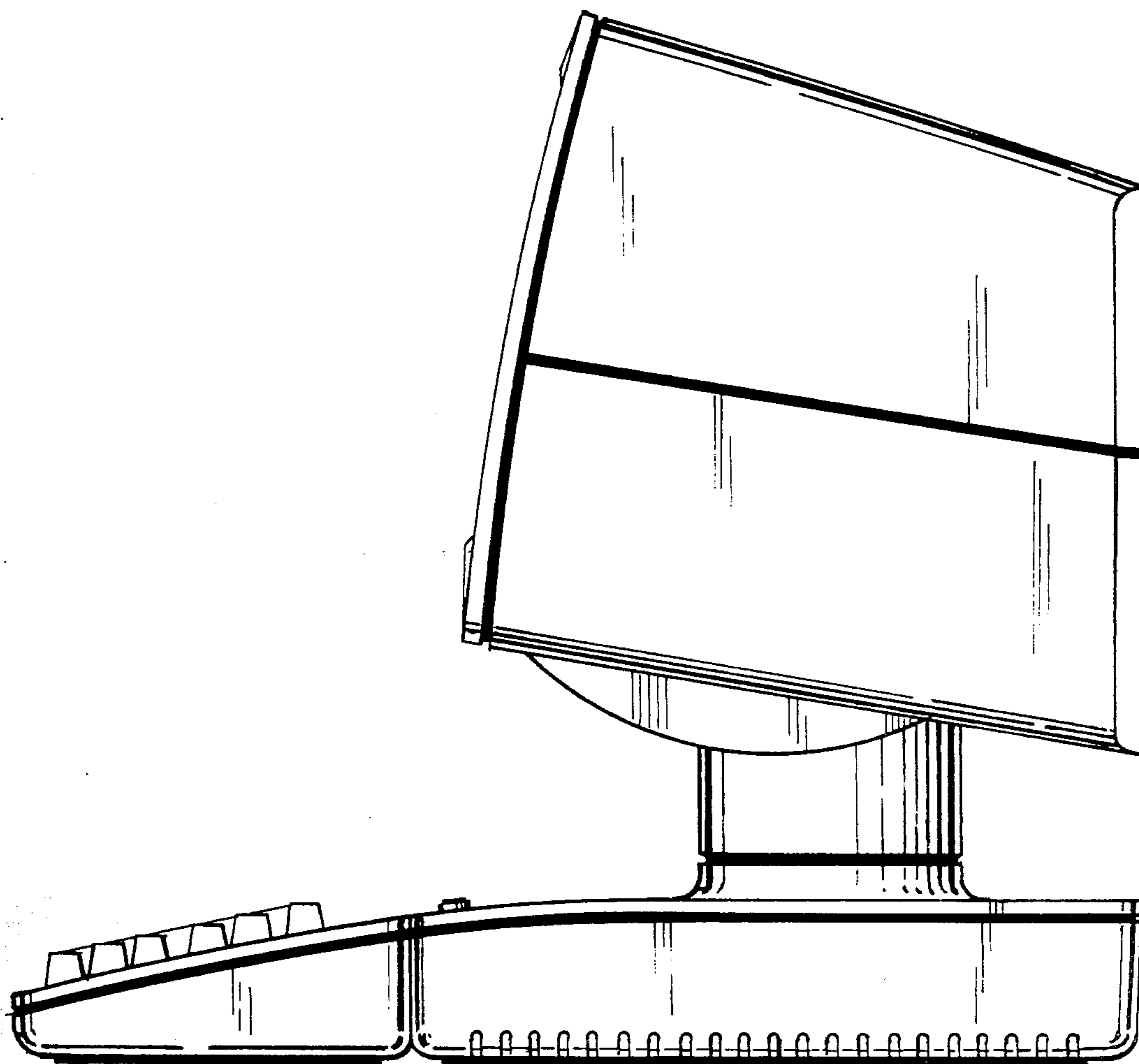


FIG. 4

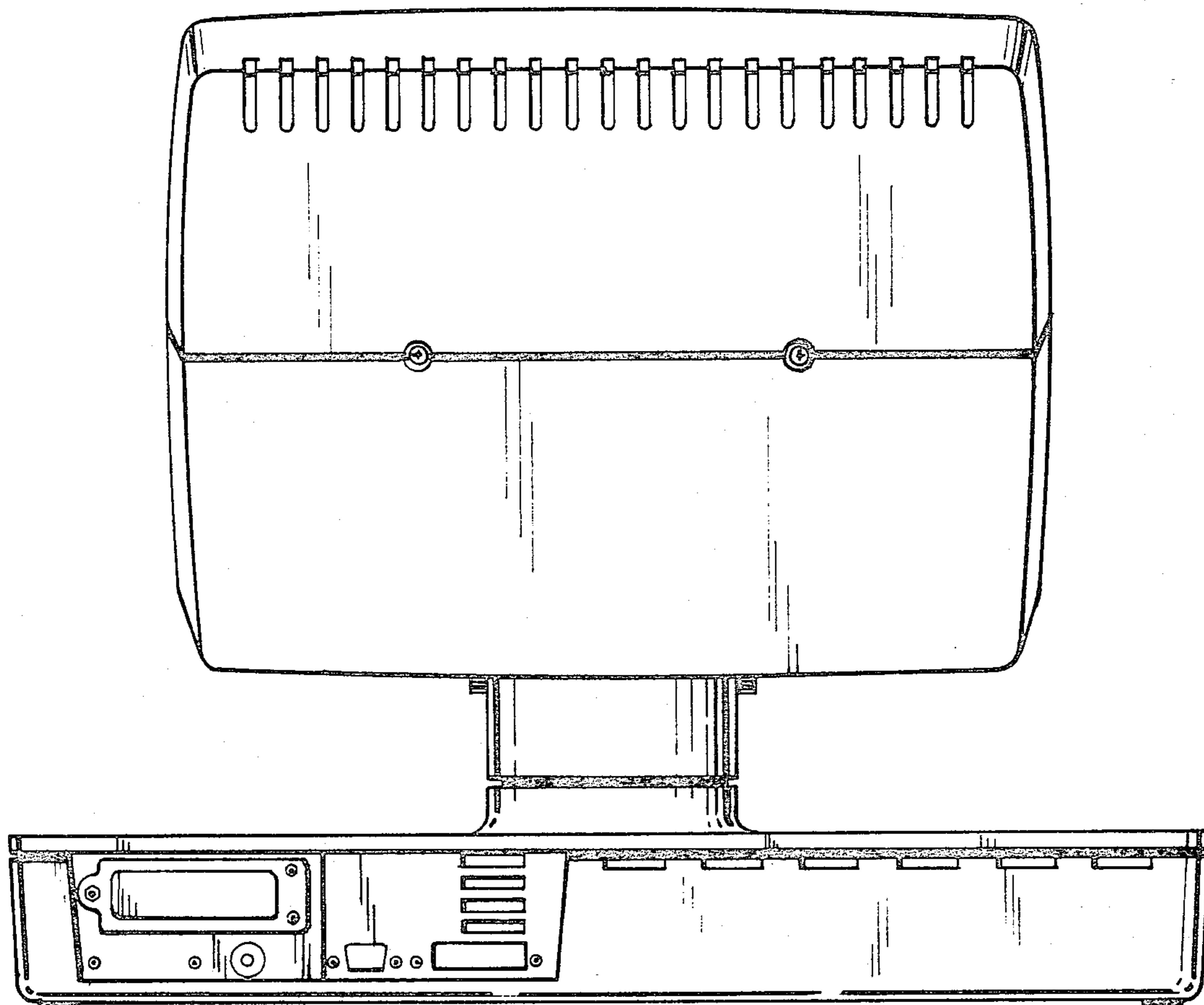


FIG. 5

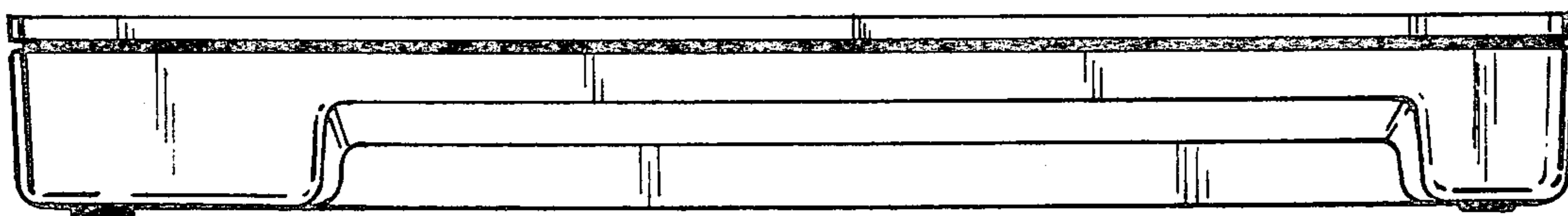


FIG. 6

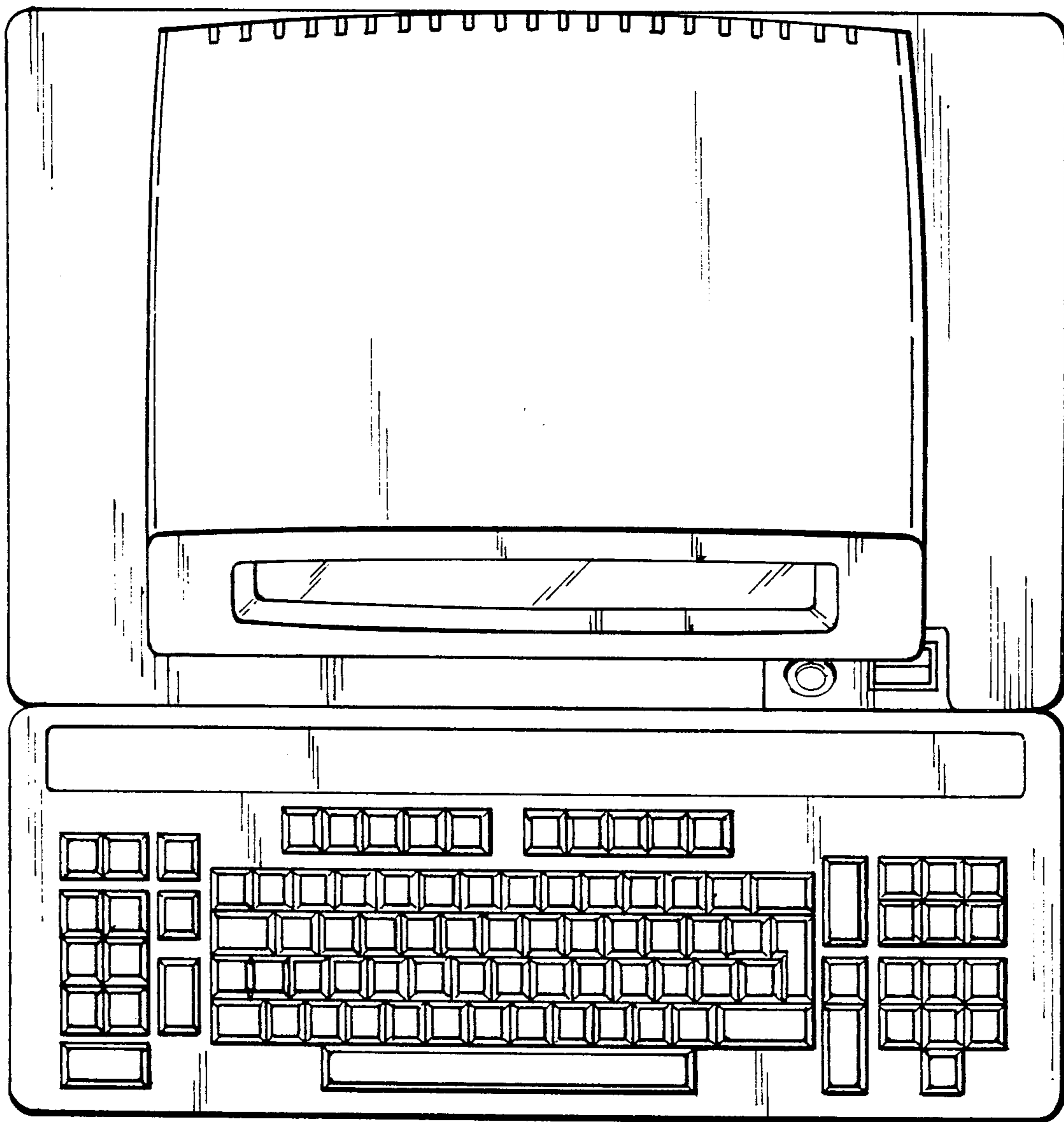


FIG. 7