

[54] AUTOMOBILE AUDIO SPEAKER ENCLOSURE

[76] Inventor: William M. Clover, Jr., 26871 Ayamonte, Mission Viejo, Calif. 92692

[**] Term: 14 Years

[21] Appl. No.: 474,261

[22] Filed: Mar. 11, 1983

[52] U.S. Cl. D14/34; D14/30; D14/33

[58] Field of Search D14/30, 32-35, D14/37-39; D9/415; 179/179

[56] References Cited

U.S. PATENT DOCUMENTS

- D. 147,861 11/1947 Miller D14/34
- D. 220,086 3/1971 Benech D9/415
- D. 228,139 8/1973 Ishikawa D14/34
- D. 277,278 1/1985 Matsuda D14/34 X

OTHER PUBLICATIONS

ADS L420-L520-L620 Flyer #ADS 3/82 15M, ©'82, Woofer.

Primary Examiner—Jane E. Corrigan
Attorney, Agent, or Firm—Knobbe, Martens, Olson & Bear

[57] CLAIM

The ornamental design for an automobile audio speaker enclosure, as shown and described.

DESCRIPTION

FIG. 1 is a front perspective view of an automobile audio speaker enclosure showing my new design; FIG. 2 is a rear perspective view; FIG. 3 is a front elevational view; FIG. 4 is a top plan view; FIG. 5 is a bottom plan view; FIG. 6 is a rear elevational view; FIG. 7 is a right side elevational view; FIG. 8 is a view like FIG. 1 of a second embodiment of the speaker enclosure wherein the top and bottom front flanges extend to the sides and the depth is reduced; FIG. 9 is a view like FIG. 2 thereof; FIG. 10 is a view like FIG. 3 thereof; FIG. 11 is a view like FIG. 4 thereof; FIG. 12 is a view like FIG. 5 thereof; FIG. 13 is a view like FIG. 6 thereof; and FIG. 14 is a view like FIG. 7 thereof.

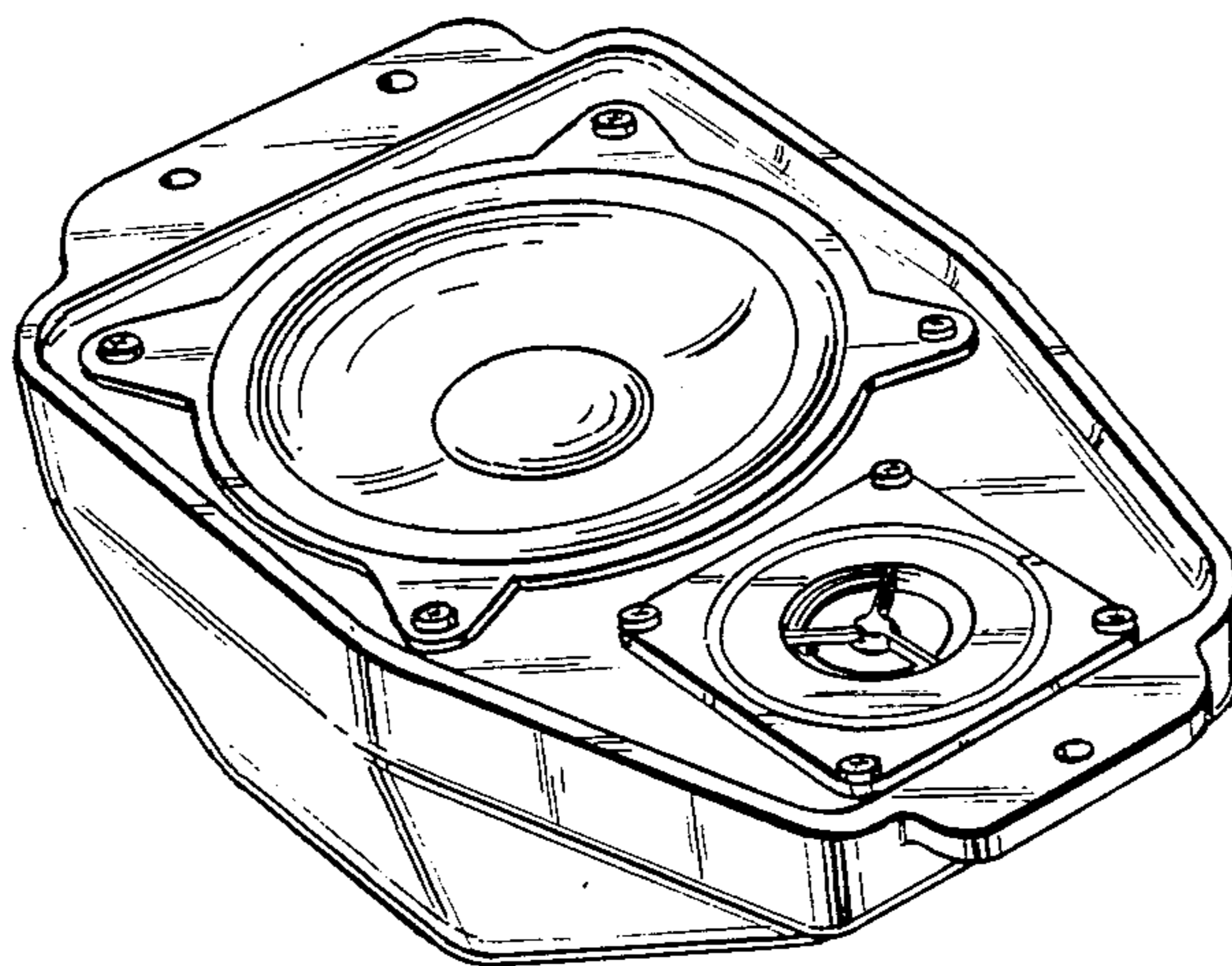


Fig. 1

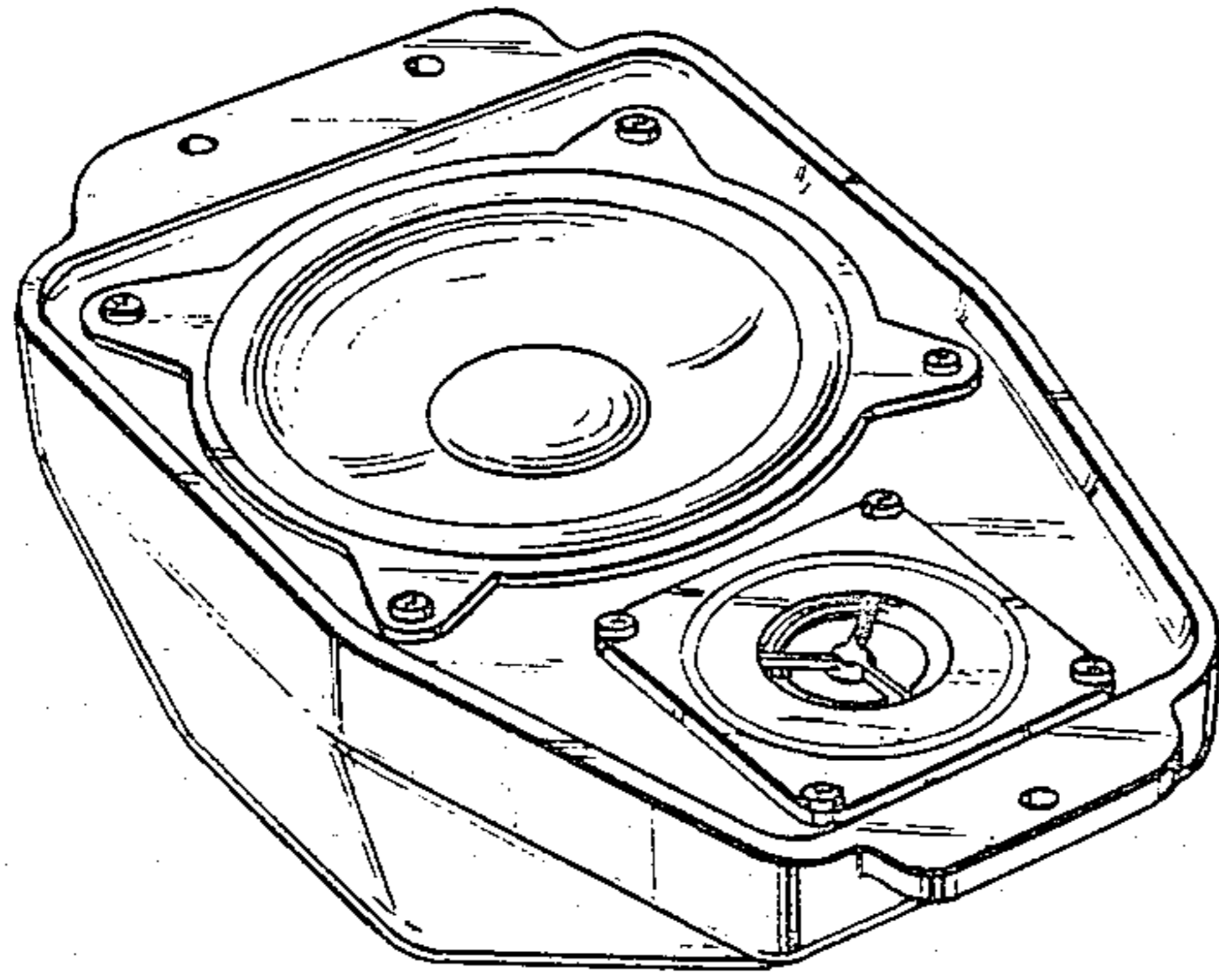


Fig. 2

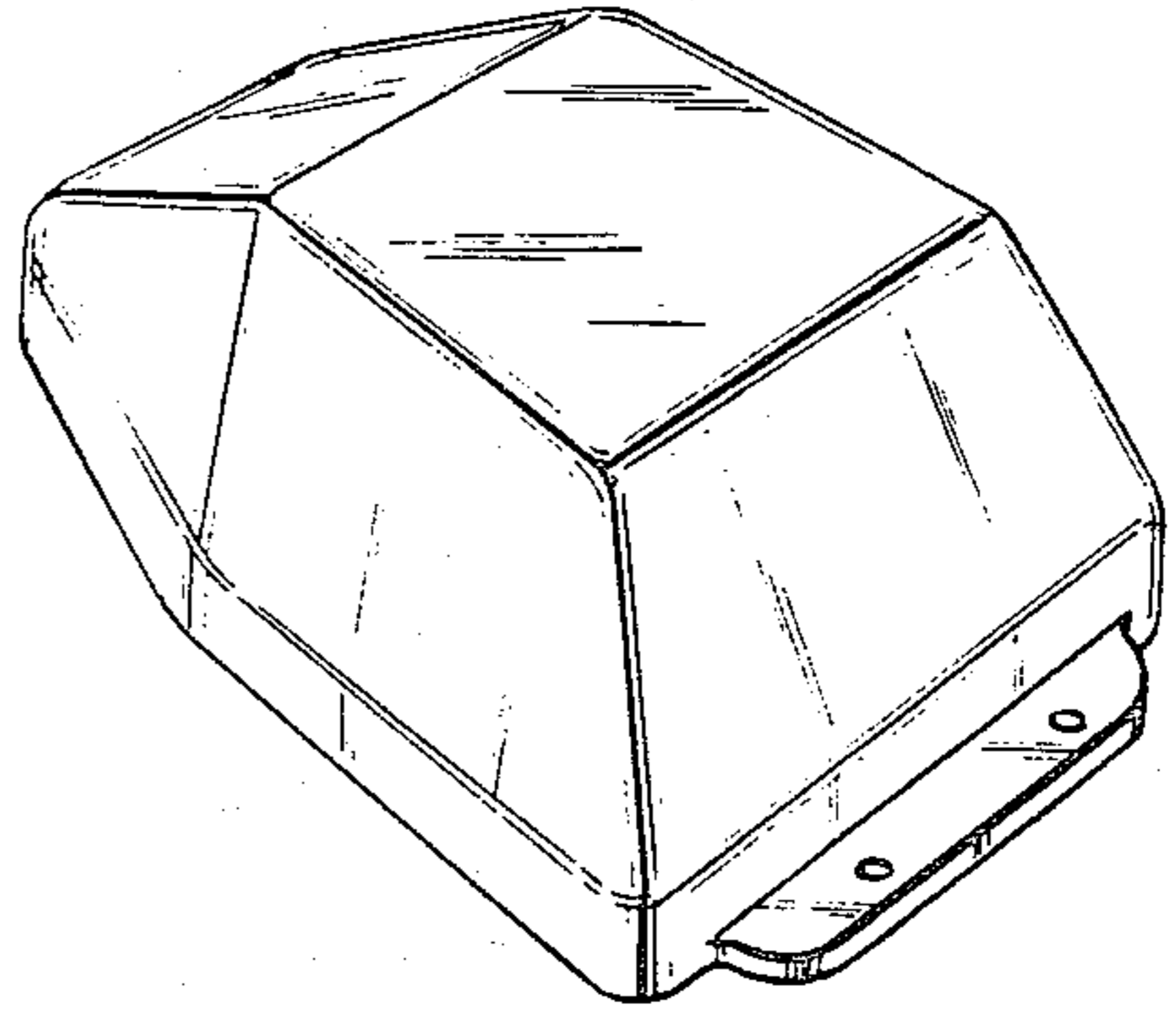


Fig. 4

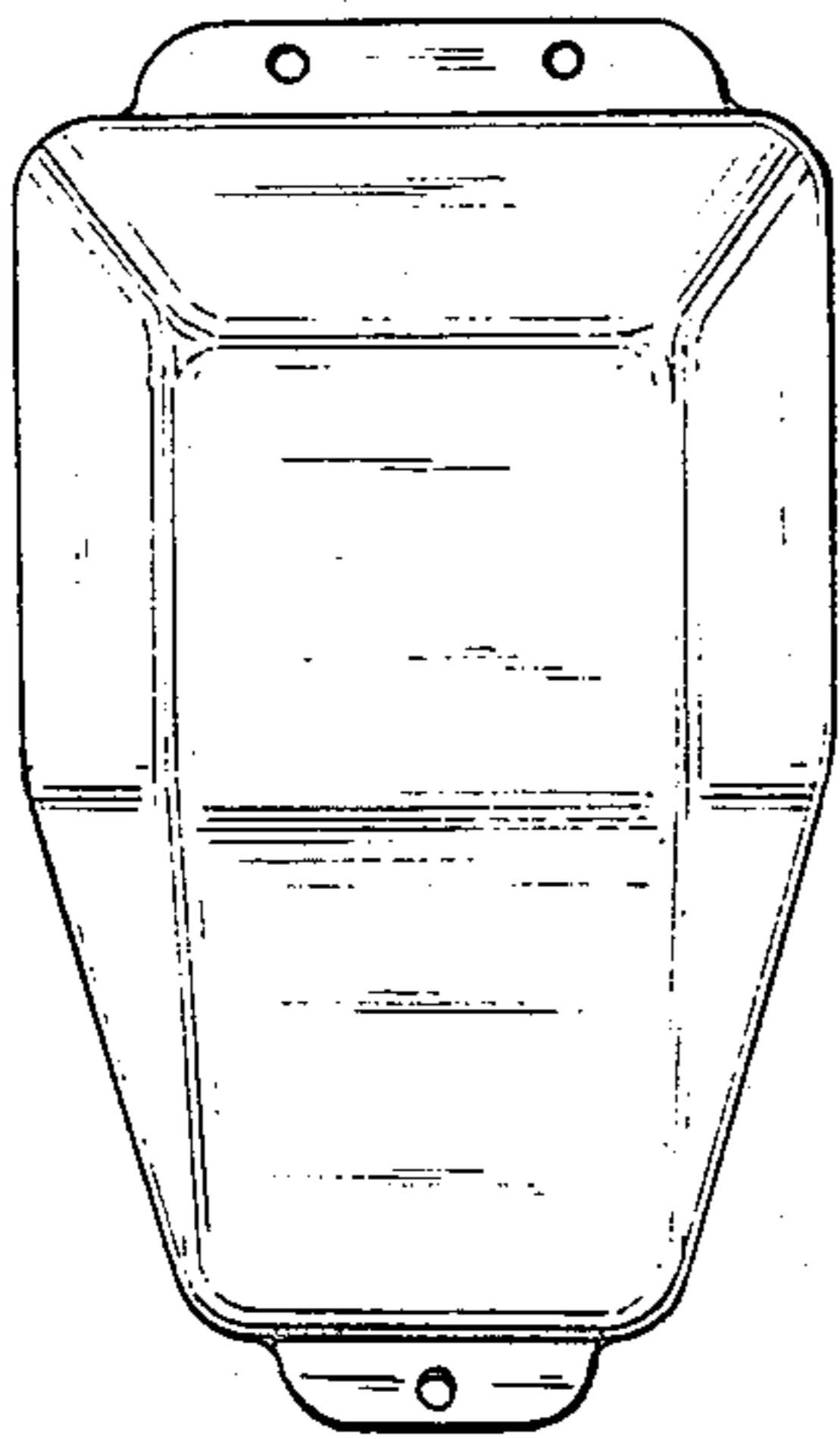
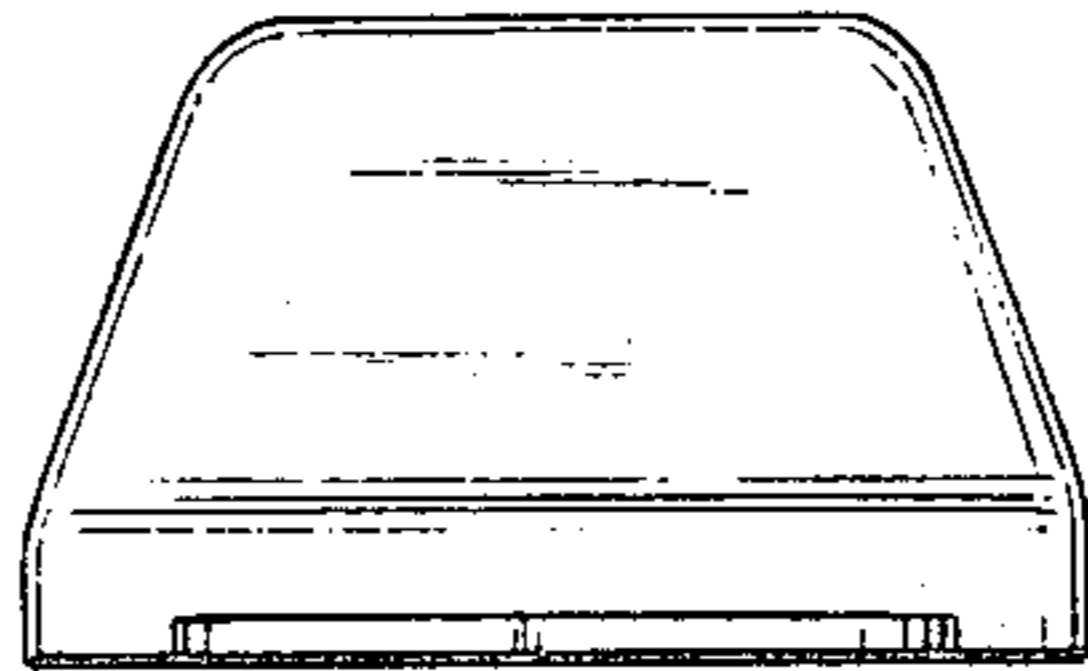


Fig. 6

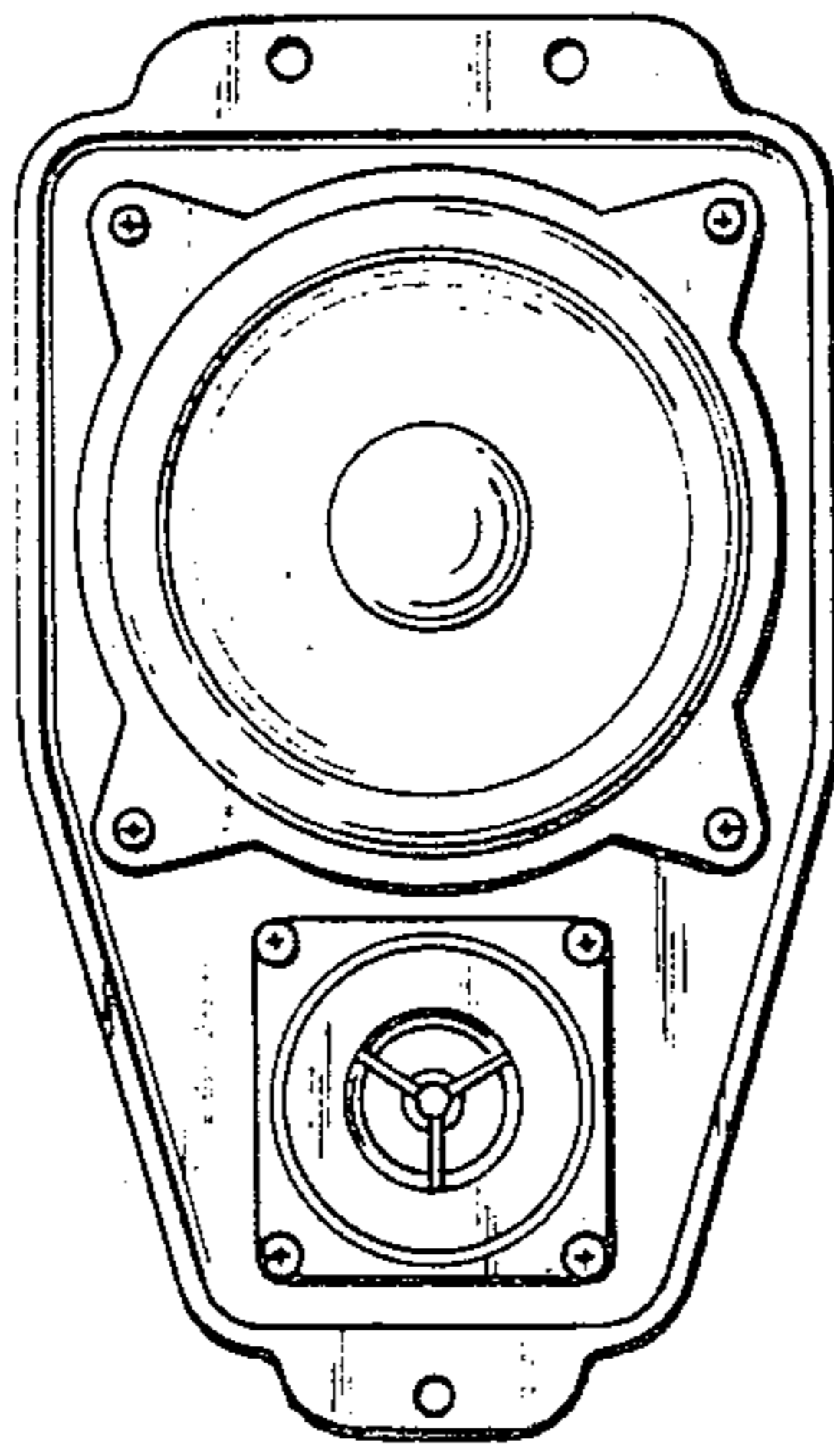


Fig. 3

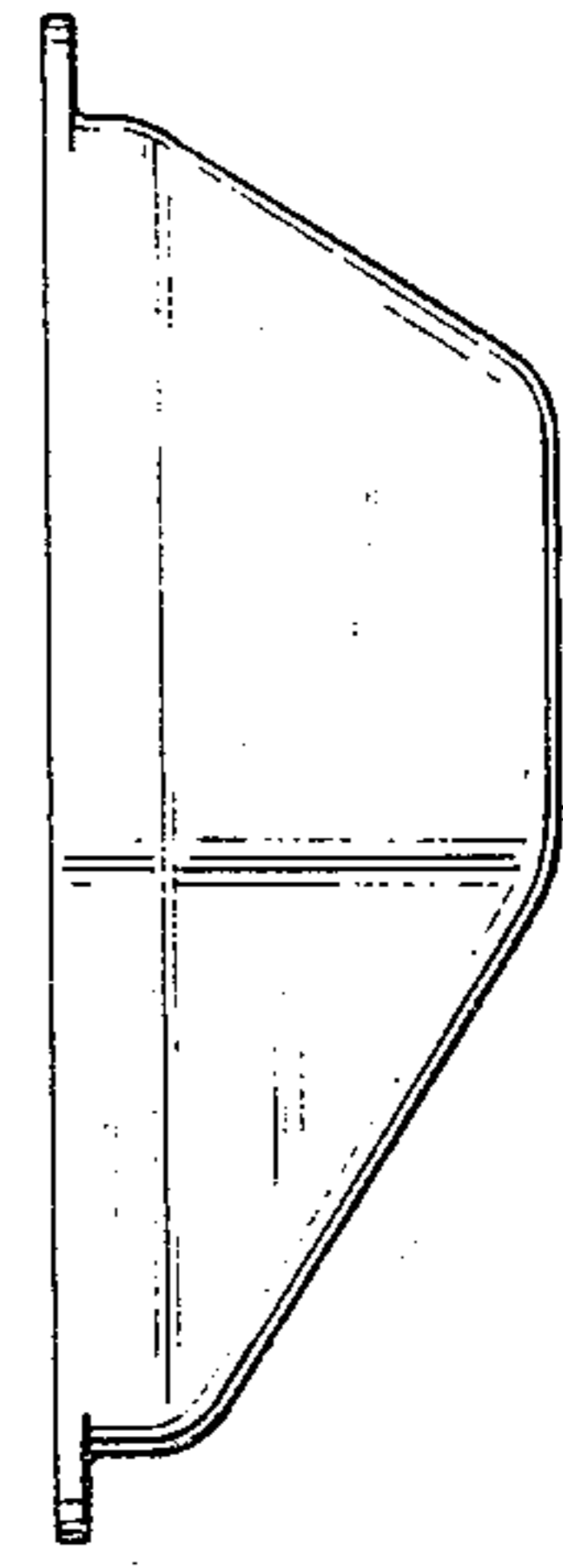


Fig. 7

Fig. 5

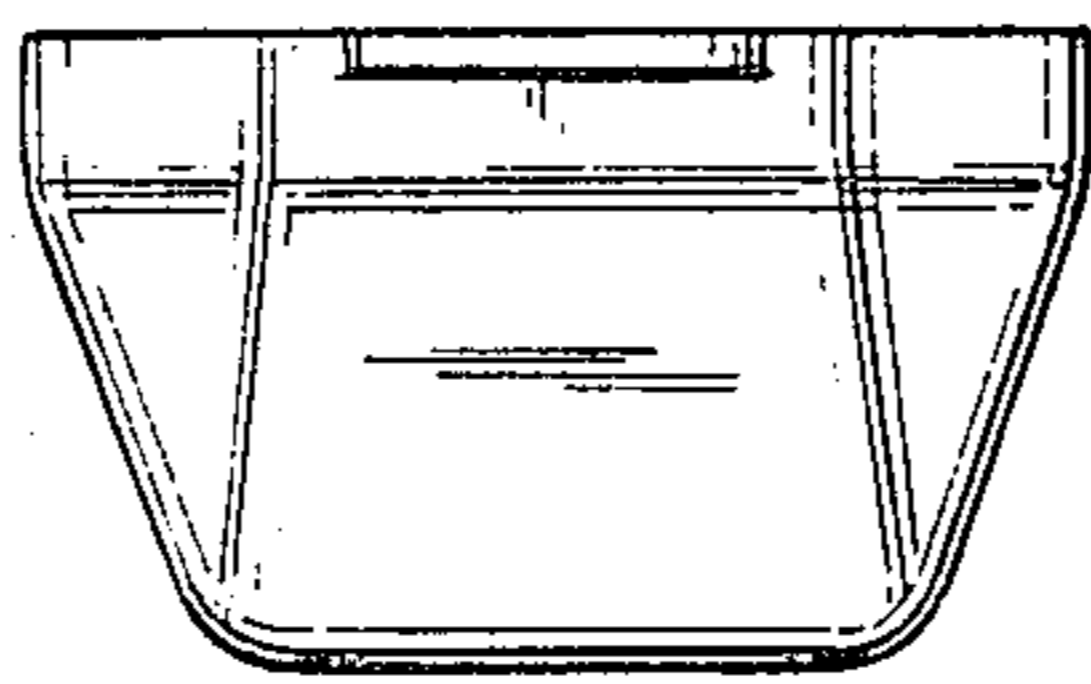


Fig. 8

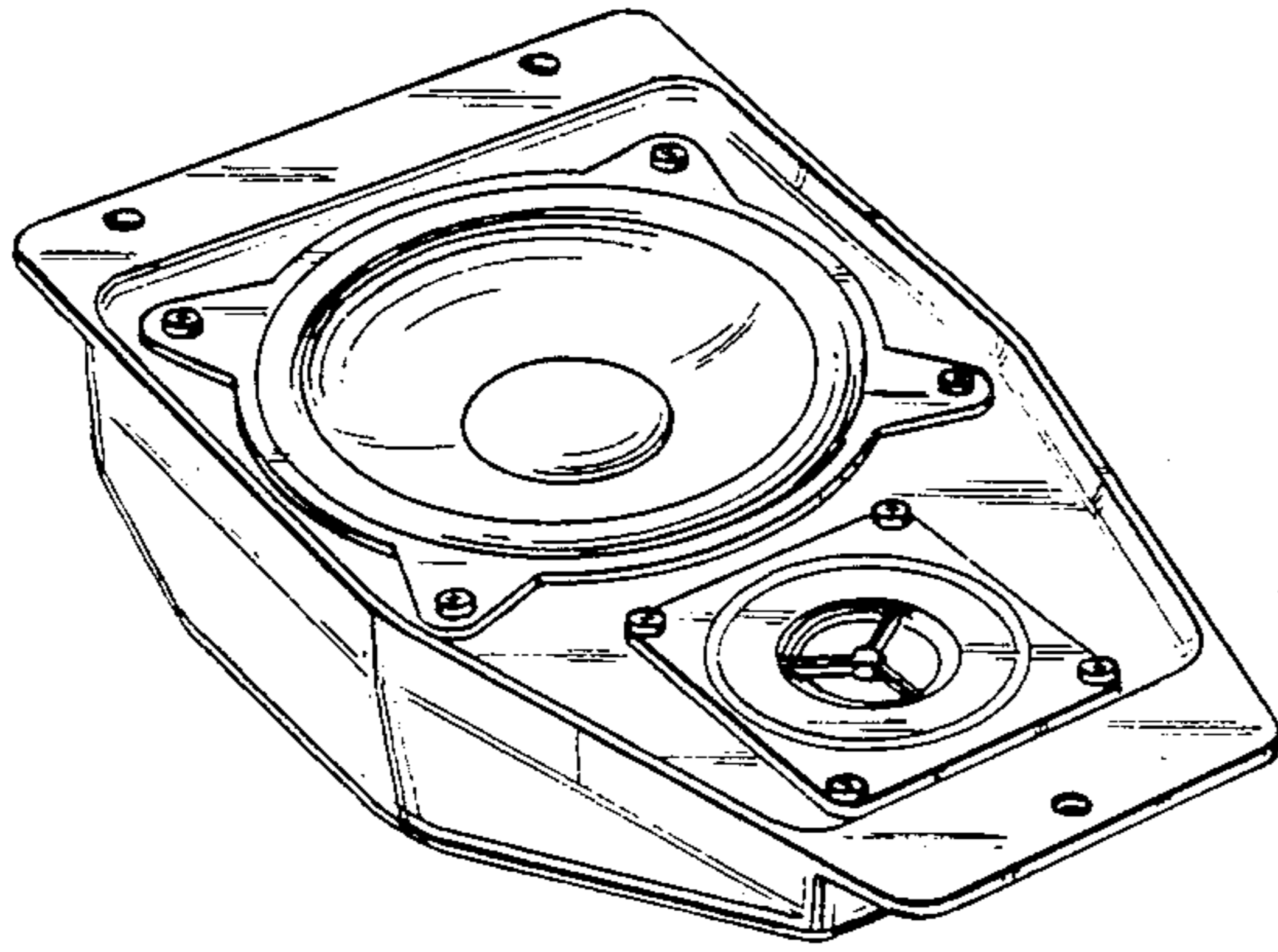


Fig. 9

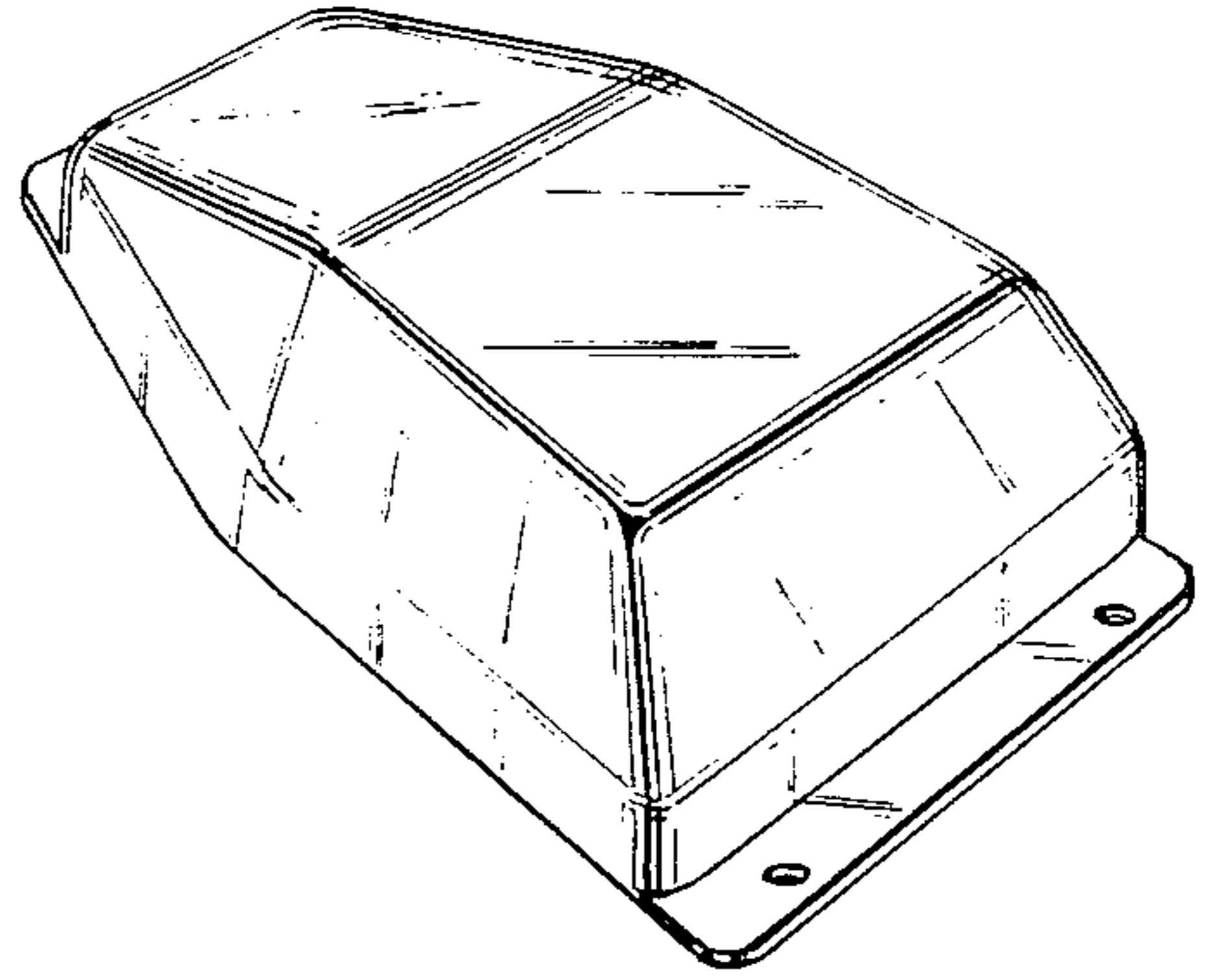


Fig. 11

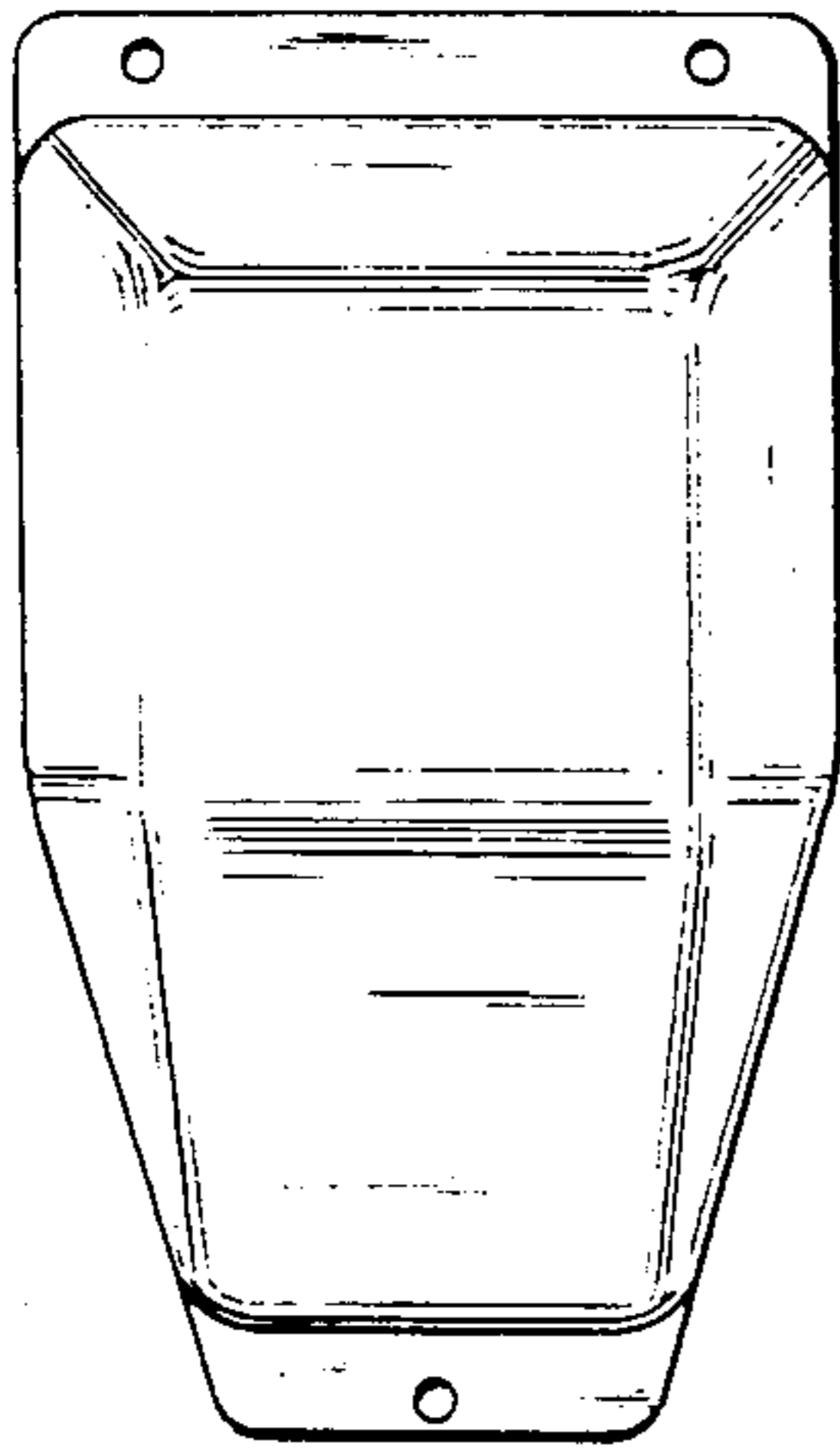
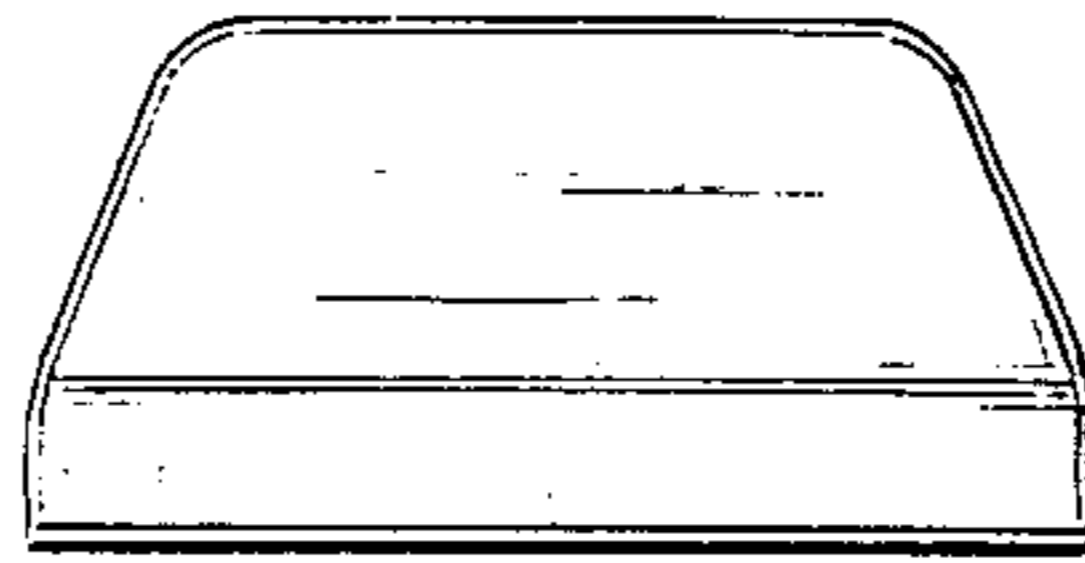


Fig. 13

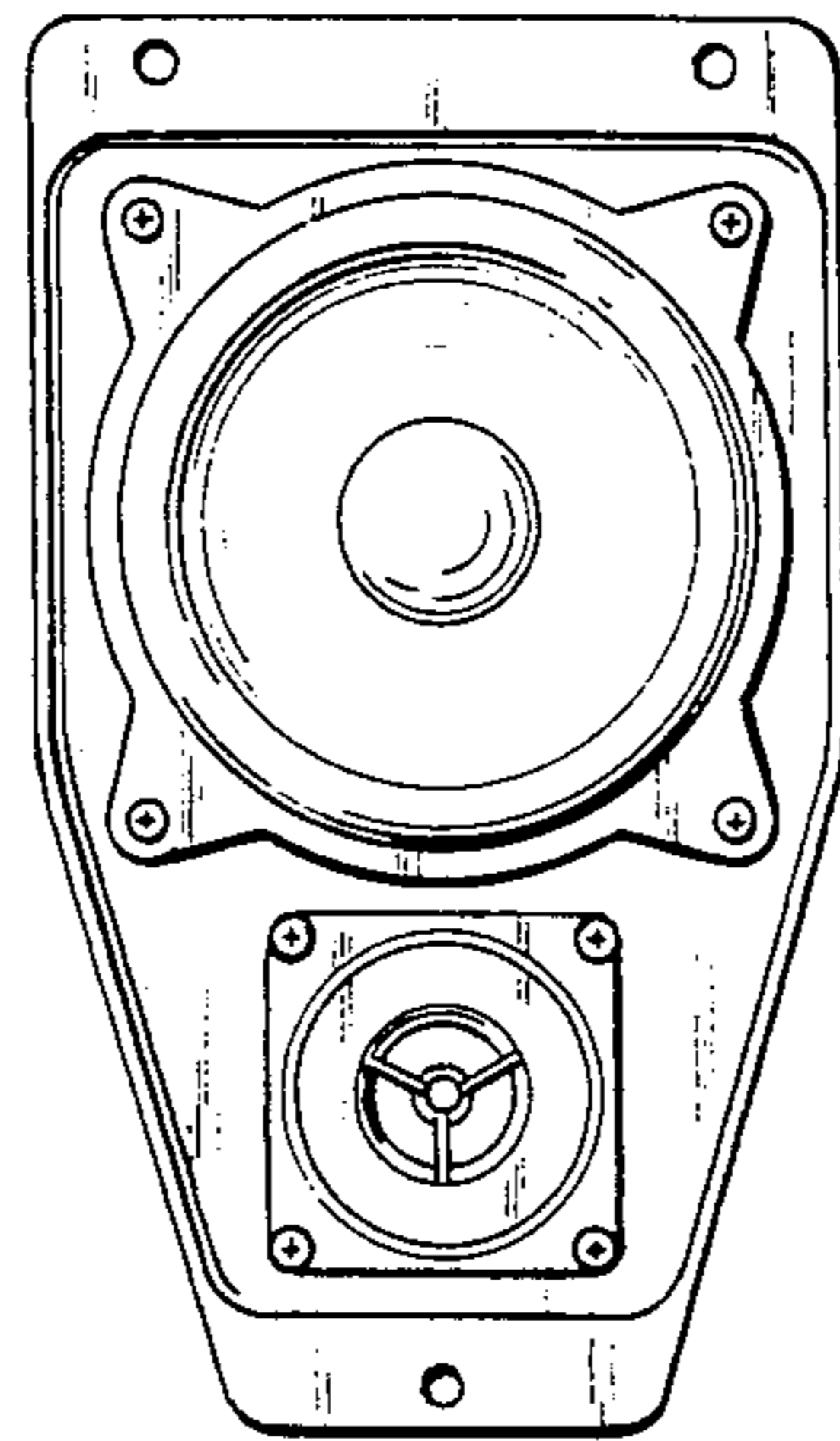


Fig. 10

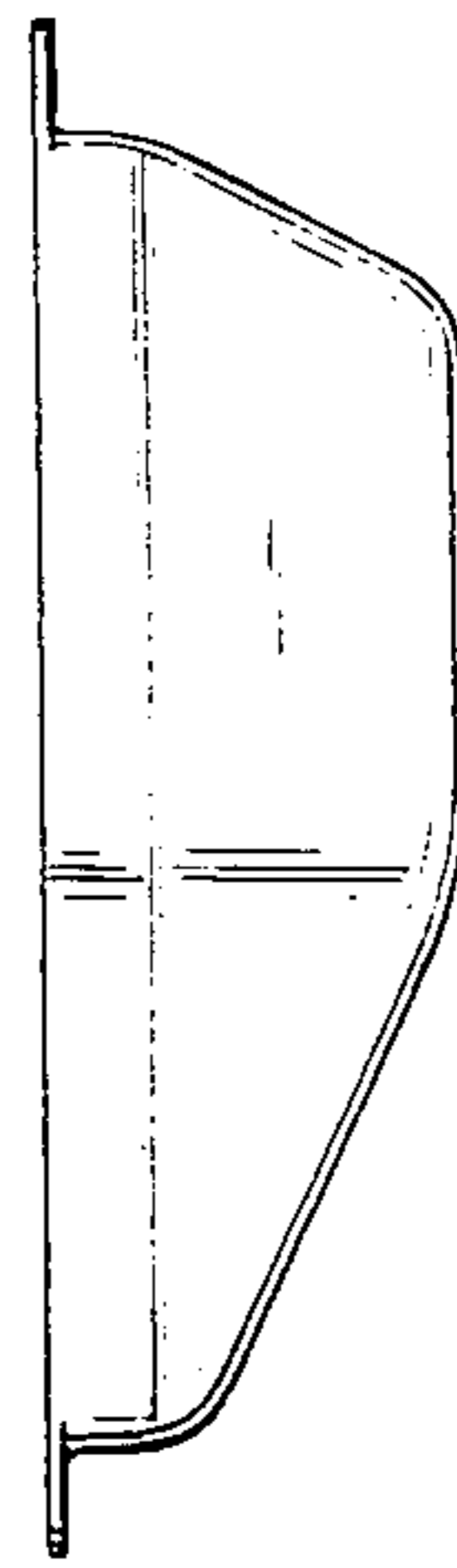


Fig. 14

Fig. 12

