

[54] **LOUDSPEAKER**

[75] **Inventor: Tetsuo Ohtsuji, Tokyo, Japan**

[73] **Assignee: Pioneer Electronic Corporation,  
Tokyo, Japan**

[\*\*] **Term: 14 Years**

[21] **Appl. No.: 495,909**

[22] **Filed: May 18, 1983**

[30] **Foreign Application Priority Data**

Nov. 19, 1982 [JP] Japan ..... 57-52334

[52] **U.S. Cl. .... D14/30; D14/34**

[58] **Field of Search ..... D14/30, 32-34,  
D14/37, 39**

[56] **References Cited**

**U.S. PATENT DOCUMENTS**

D. 229,318 11/1973 Iida ..... D14/33  
D. 248,471 7/1978 Asai ..... D14/34  
D. 269,870 7/1983 Iijima ..... D14/34 X

*Primary Examiner*—Jane E. Corrigan  
*Attorney, Agent, or Firm*—Sughrue, Mion, Zinn,  
Macpeak & Seas

[57] **CLAIM**

The ornamental design for a loudspeaker, as shown.

**DESCRIPTION**

FIG. 1 is a front elevational view of a loudspeaker showing my new design;  
FIG. 2 is a right side elevational view thereof;  
FIG. 3 is a rear elevational view thereof;  
FIG. 4 is a left side elevational view thereof;  
FIG. 5 is a top plan view thereof;  
FIG. 6 is a bottom plan view thereof; and  
FIG. 7 is a front perspective view thereof.

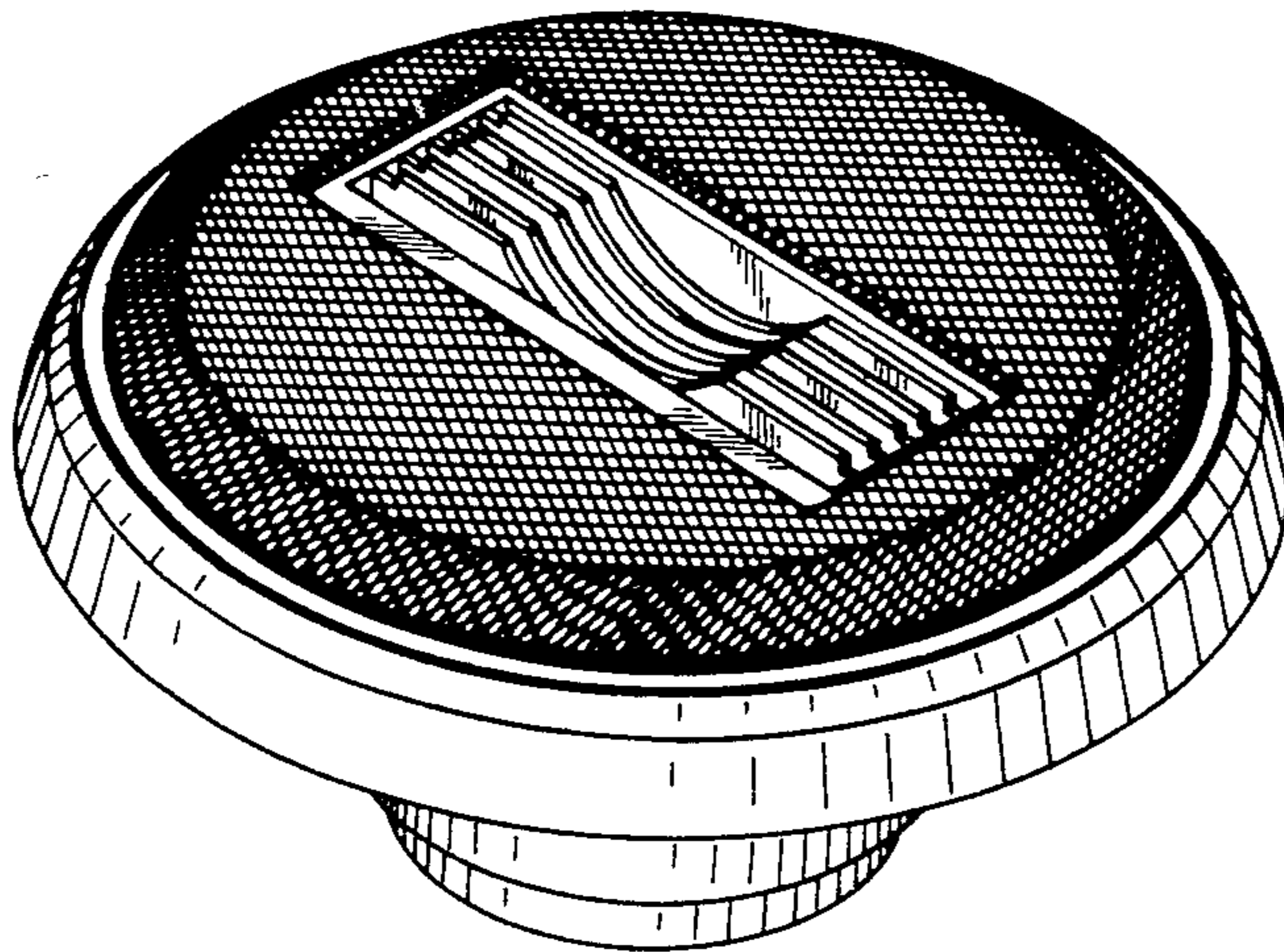


FIG. 1

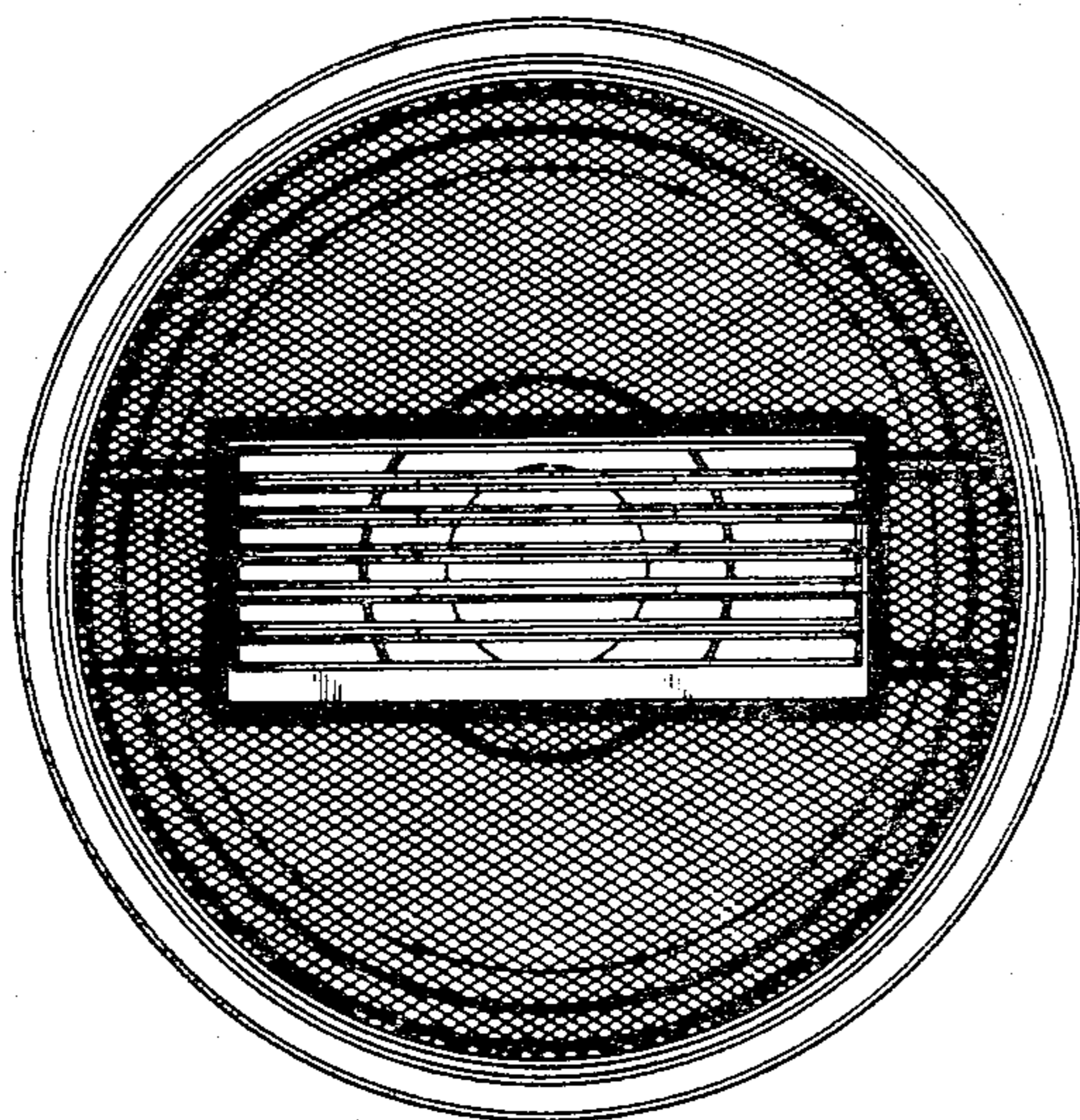


FIG. 2

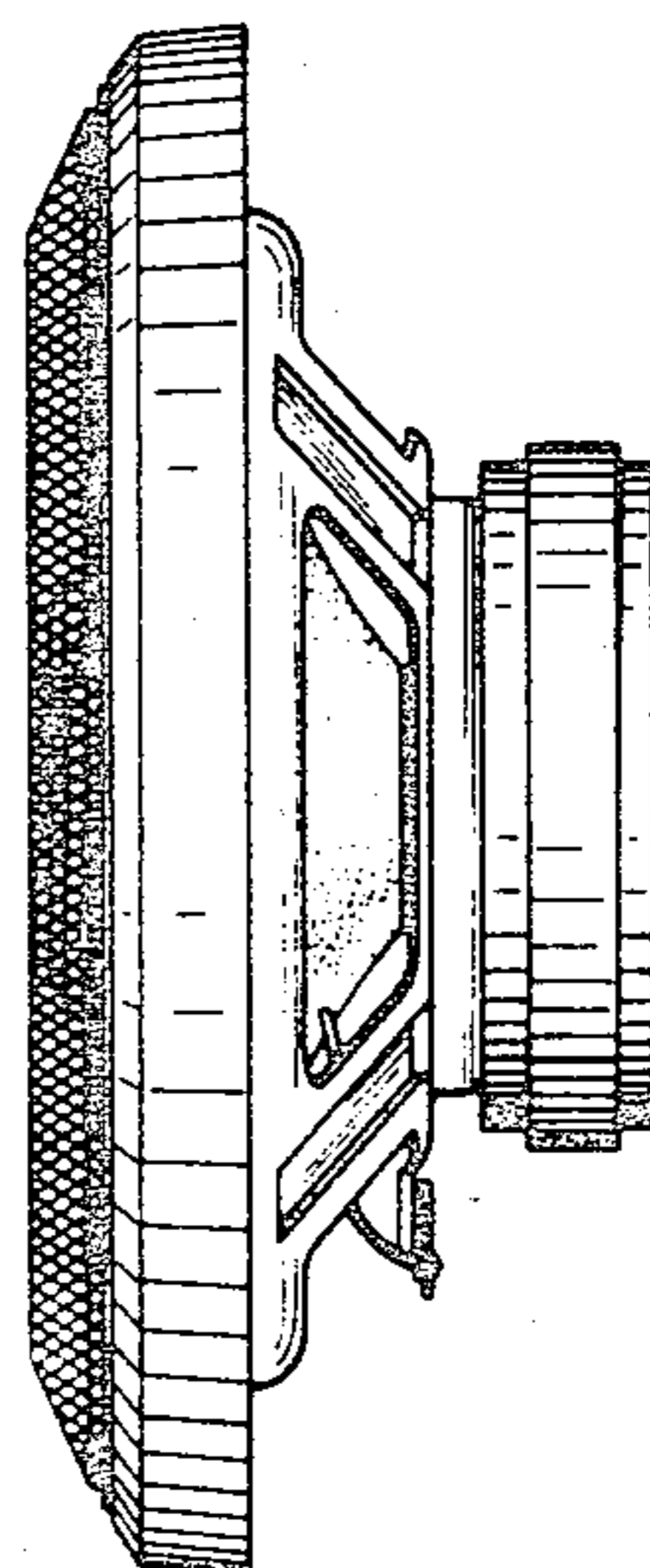


FIG. 3

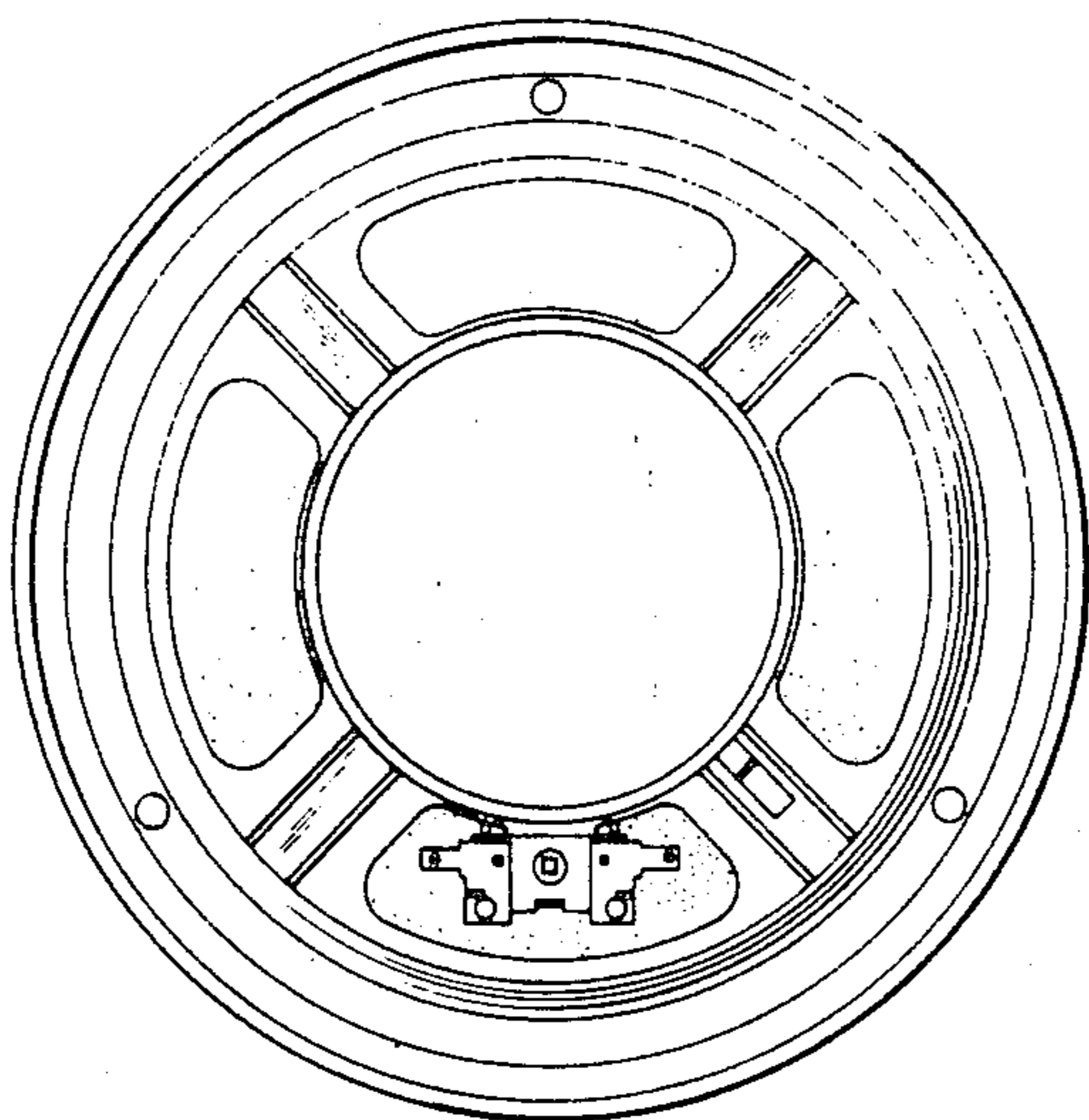


FIG. 4

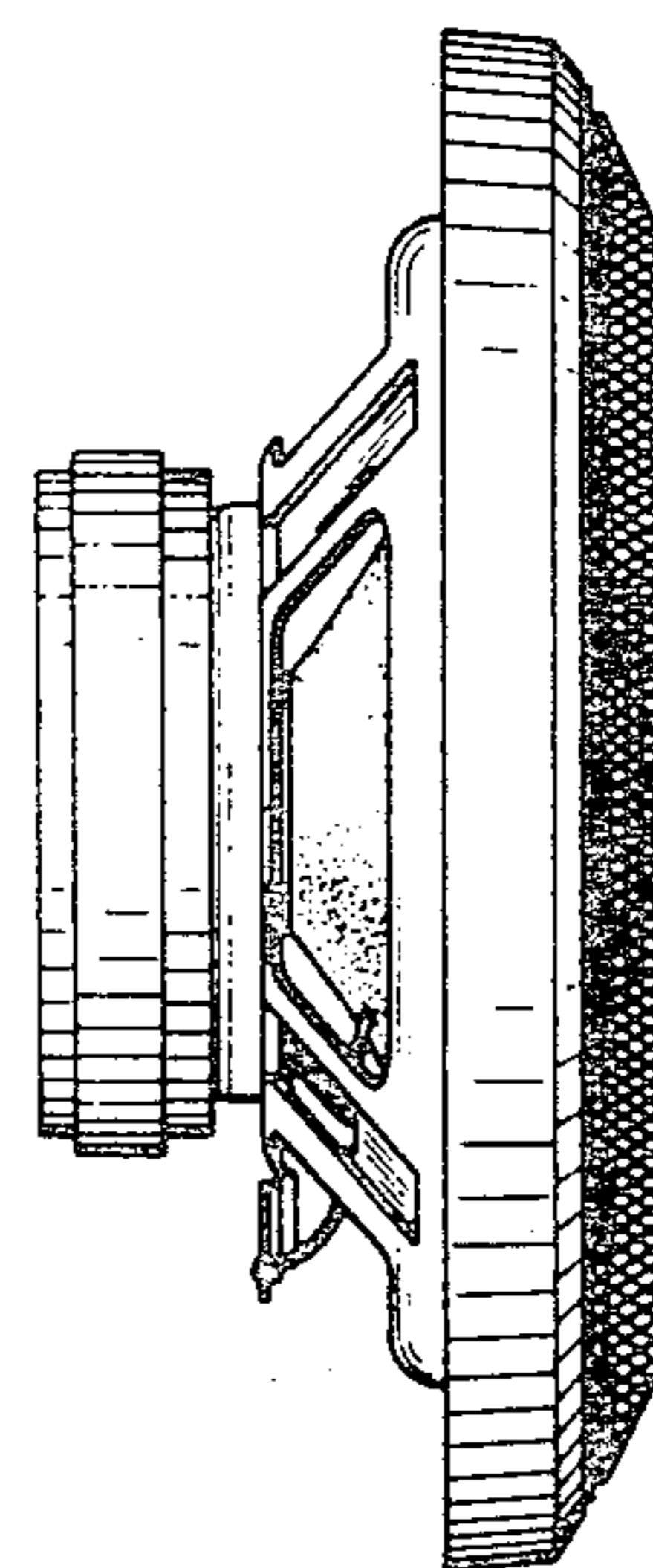


FIG. 5

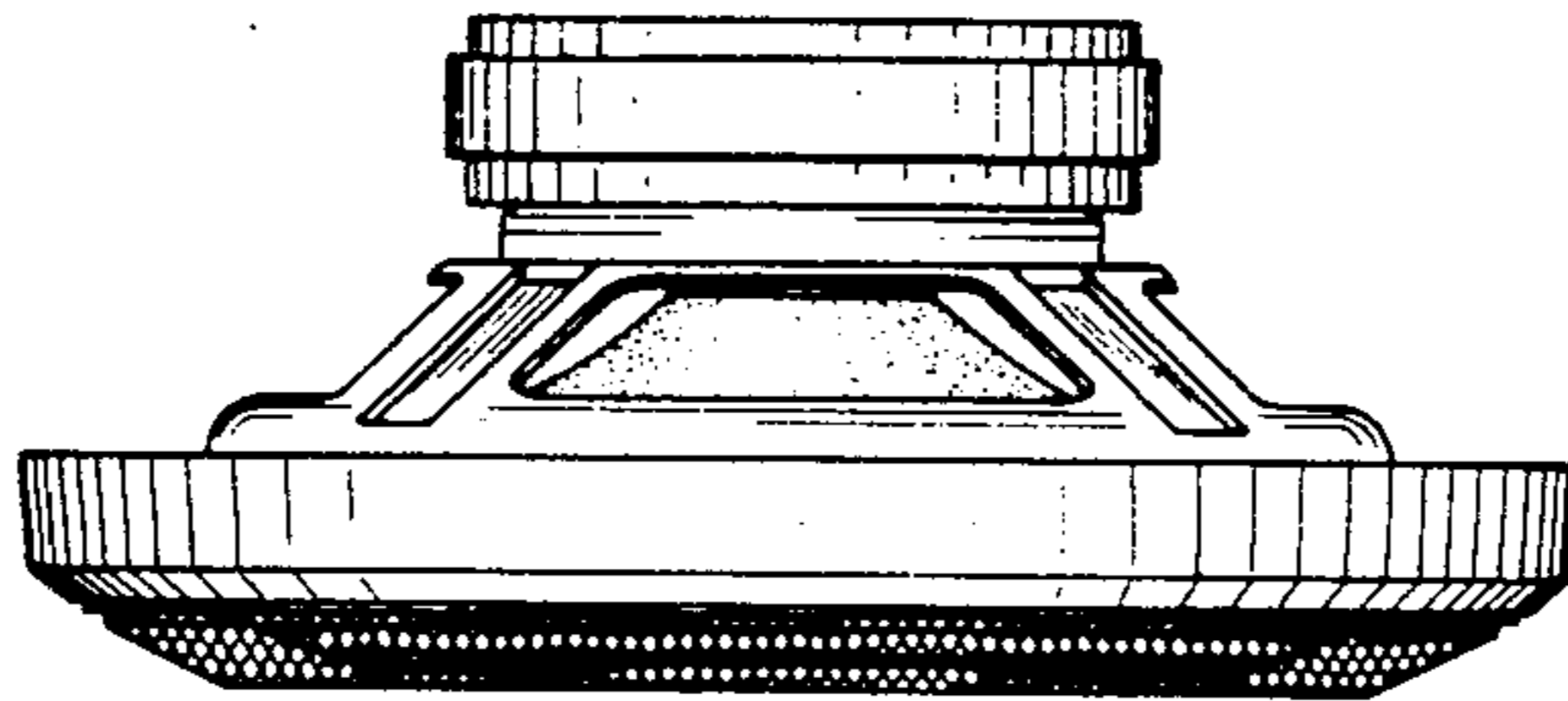


FIG. 6

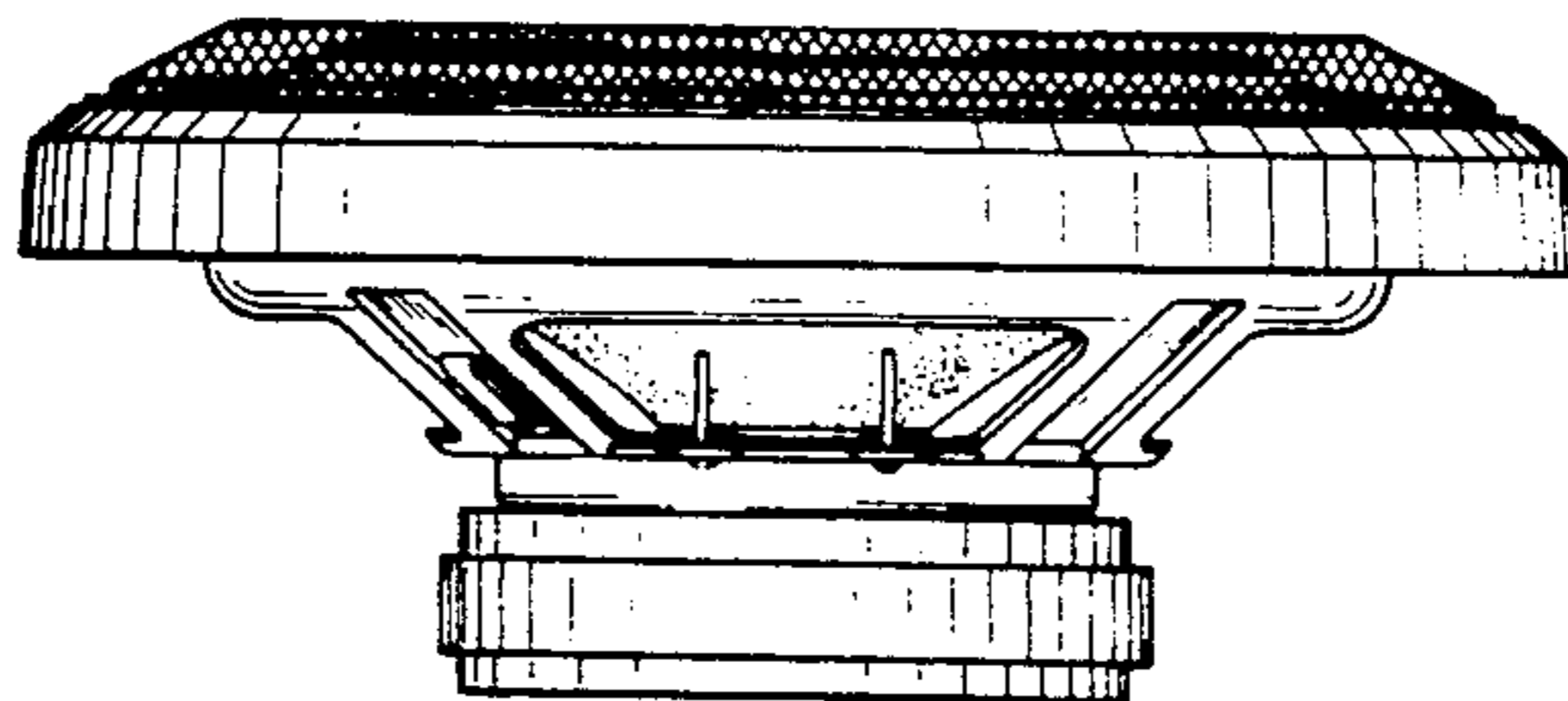


FIG. 7

