

[54] **PUSH BUTTON SWITCH**

[75] **Inventor: Shigeo Ohashi, Tokyo, Japan**

[73] **Assignee: Nihon Kaiheiki Kogyo Kabushiki Kaisha, Japan**

[**] **Term: 14 Years**

[21] **Appl. No.: 558,052**

[22] **Filed: Dec. 5, 1983**

[30] **Foreign Application Priority Data**

Oct. 4, 1983 [JP] Japan 58-043052

[52] **U.S. Cl. D13/38**

[58] **Field of Search D13/32, 33, 37, 38;
200/5 R, 5 A, 6 A, 293, 295, 296, 302, 303, 155
R, 159 R**

[56] **References Cited**

U.S. PATENT DOCUMENTS

D. 224,015 6/1972 Nakata D13/37
D. 254,848 4/1980 Sano D13/37
D. 268,927 5/1983 Ohashi D13/38

OTHER PUBLICATIONS

Subminiature Switches Catalog—Control Switch Co., 1977 p. 2 Series B8000 PCB.

Chicago Switch Inc.—Catalog 1977 p. 11 Miniature Toggle Switches.

Primary Examiner—Wallace R. Burke

Assistant Examiner—Lynn Wilder

Attorney, Agent, or Firm—Steinberg & Raskin

[57] **CLAIM**

The ornamental design for a push button switch, substantially as shown and described.

DESCRIPTION

FIG. 1 is a front elevational view of a push button switch showing my new design;

FIG. 2 is a rear elevational view thereof;

FIG. 3 is a bottom plan view thereof;

FIG. 4 is a bottom plan view thereof;

FIG. 5 is a left side elevational view thereof;

FIG. 6 is a right side elevational view thereof;

FIG. 7 is an enlarged cross-sectional view of the push button switch taken along line 7—7 of the FIG. 3;

FIG. 8 is a perspective view thereof.

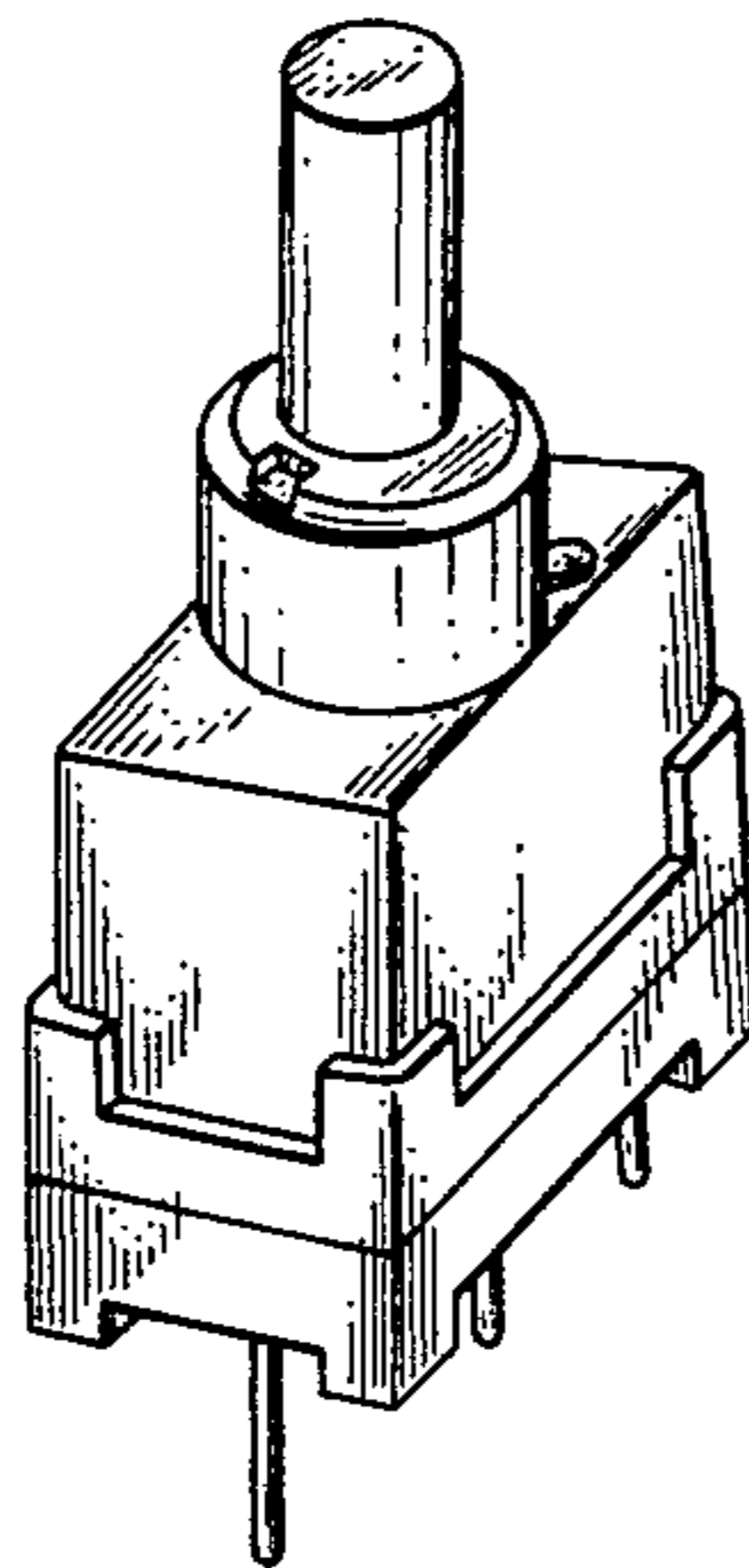


FIG. 1

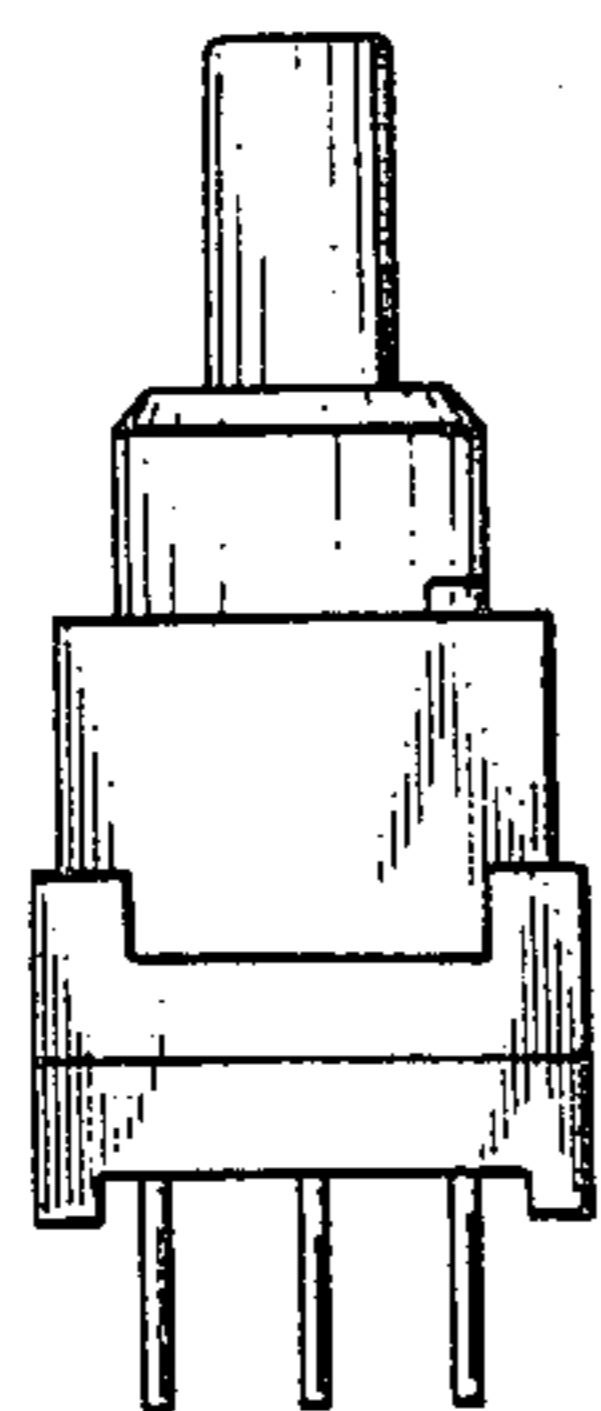


FIG. 2

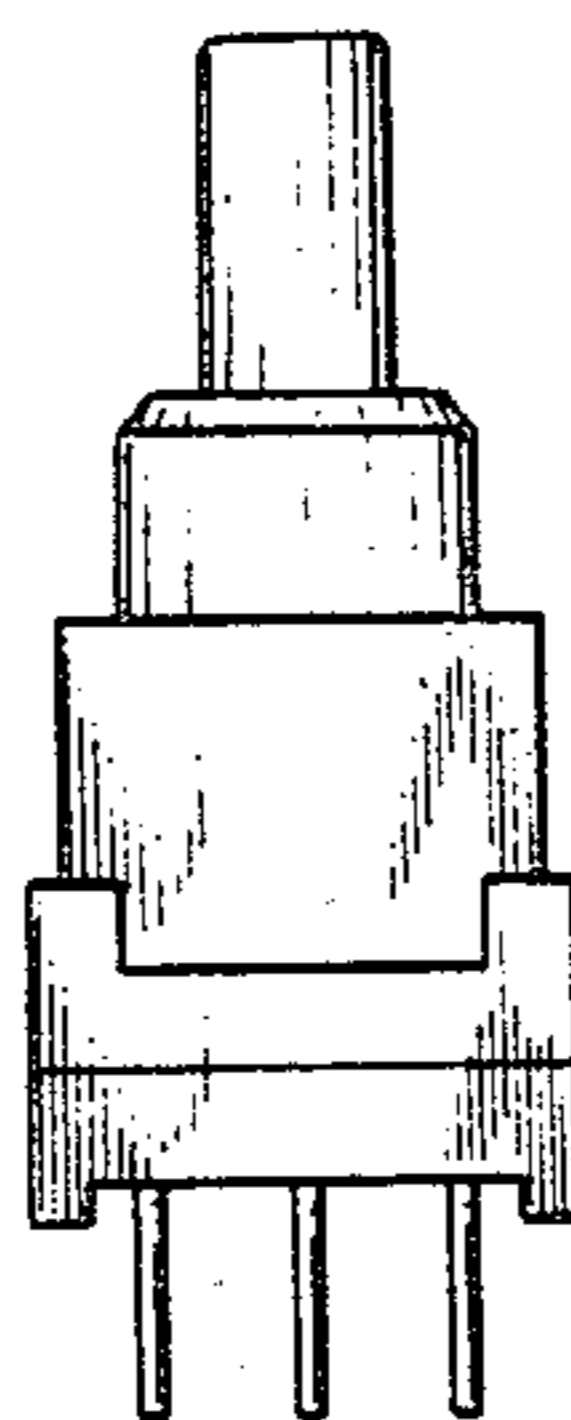


FIG. 3

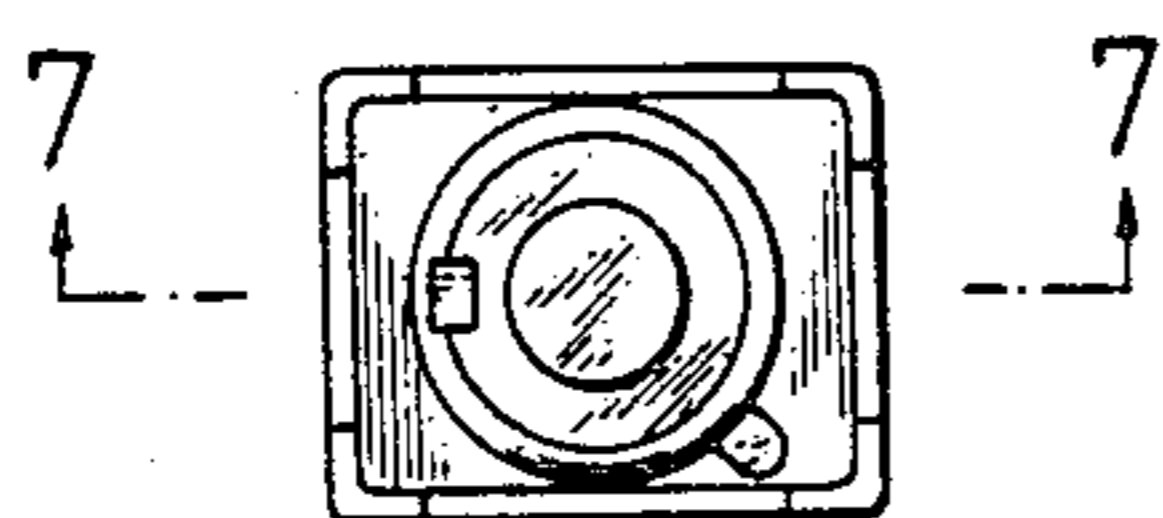


FIG. 4

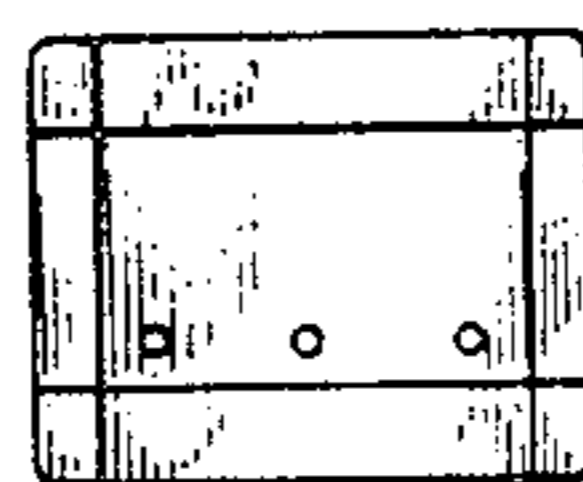


FIG. 5

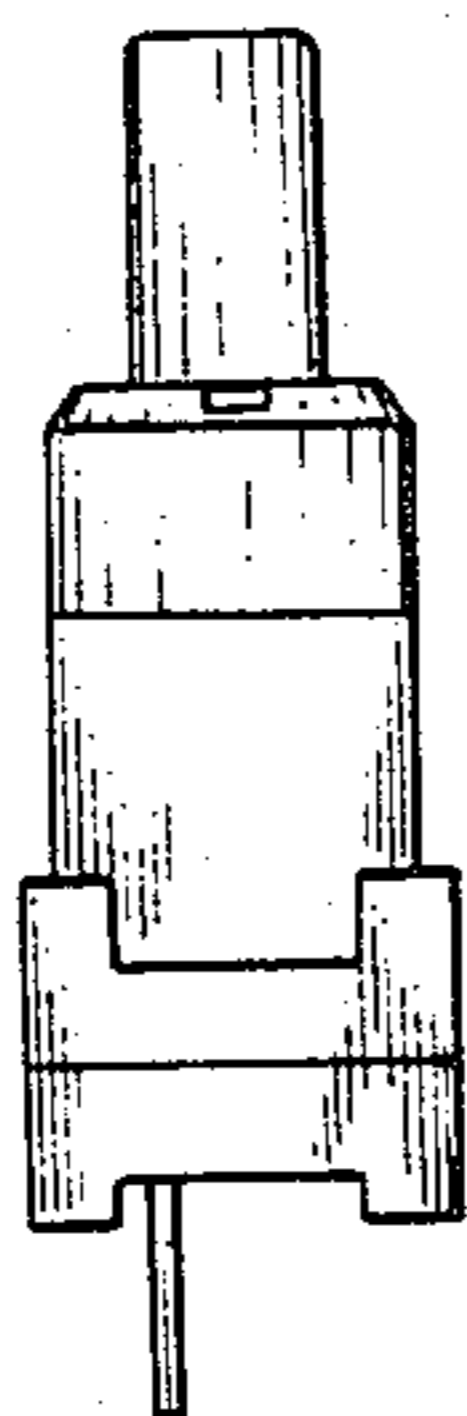


FIG. 6

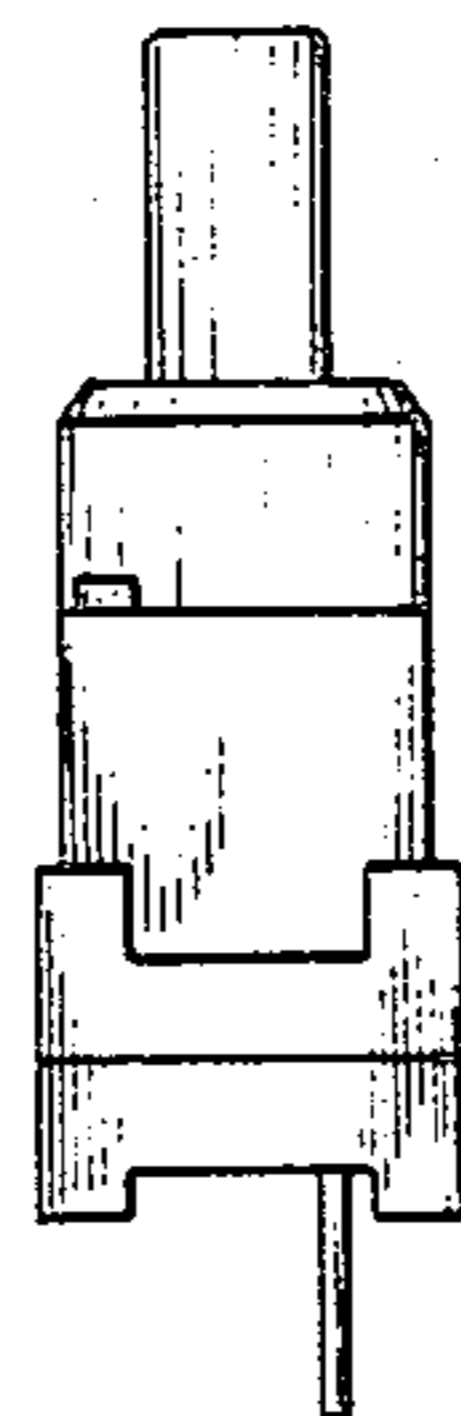


FIG. 7

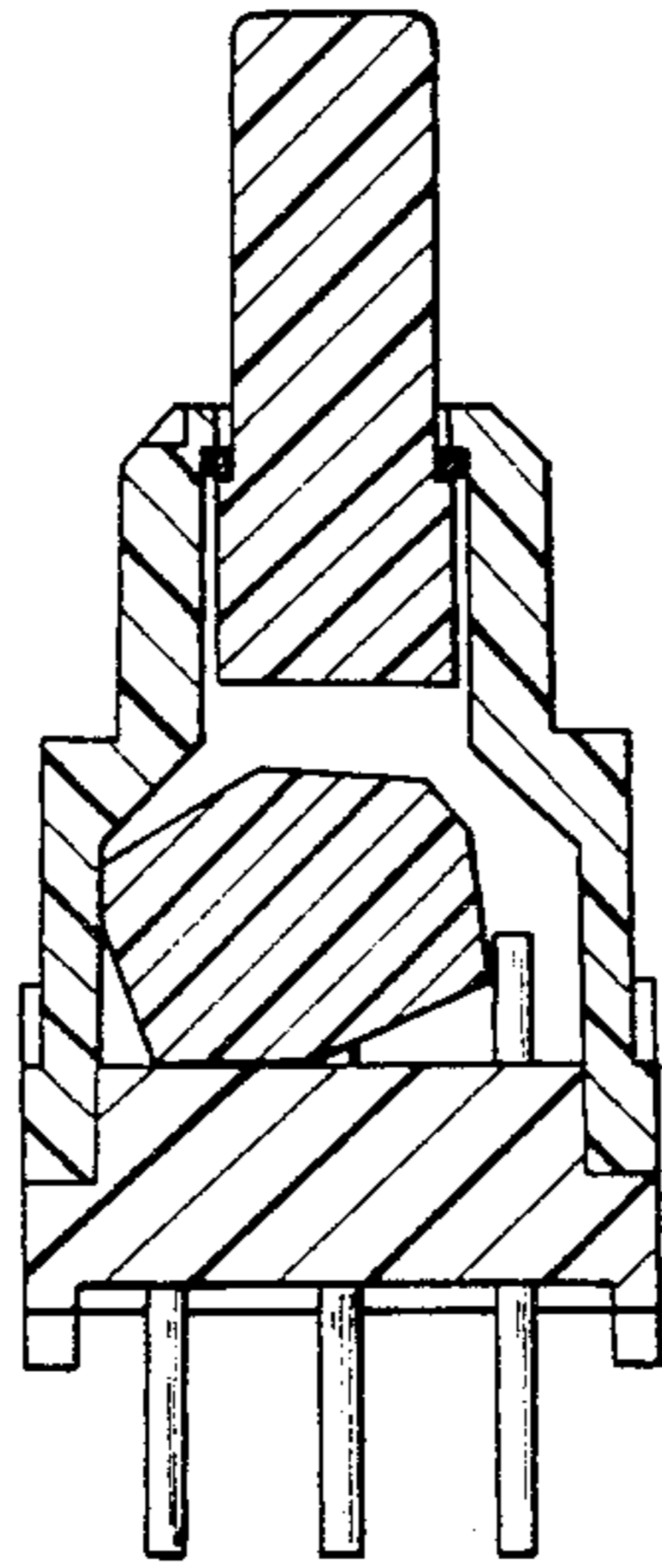


FIG. 8

