

[54] **BOTTLE CAP FOR EDIBLE OIL**

[76] **Inventor: Joong H. Cho, 1097-2**  
Myunmok-dong, Dongdaemun-Ku,  
Seoul, Rep. of Korea

[\*\*] **Term: 14 Years**

[21] **Appl. No.: 436,566**

[22] **Filed: Oct. 25, 1982**

[52] **U.S. Cl. .... D9/446**

[58] **Field of Search .... D9/446, 306; 215/235,**  
215/237, 306, 307; 220/375

[56] **References Cited**

**U.S. PATENT DOCUMENTS**

D. 197,929	4/1964	Stull .....	D9/446 X
D. 223,900	6/1972	Douglas et al. ....	D9/446
D. 226,555	3/1973	Weber .....	D9/446
D. 265,060	6/1982	Blank .....	D9/446
2,601,040	6/1952	Livingstone .....	222/109
2,889,079	6/1959	Livingstone .....	222/109
3,168,221	2/1965	Parker .....	222/109
3,188,036	6/1965	Sprung .....	215/306 X
3,282,477	11/1966	Henchert .....	220/375 X
4,060,100	11/1977	Miller et al. ....	220/375 X

4,065,035	12/1977	Eissler .....	220/375 X
4,078,700	3/1978	Hidding .....	222/109
4,298,145	11/1981	Iida .....	222/478

**FOREIGN PATENT DOCUMENTS**

515115	11/1952	Belgium .....	215/306
180000	10/1954	Fed. Rep. of Germany .....	222/571
1580404	9/1969	France .....	215/306

*Primary Examiner*—Bernard Ansher

*Assistant Examiner*—Linda Titolo

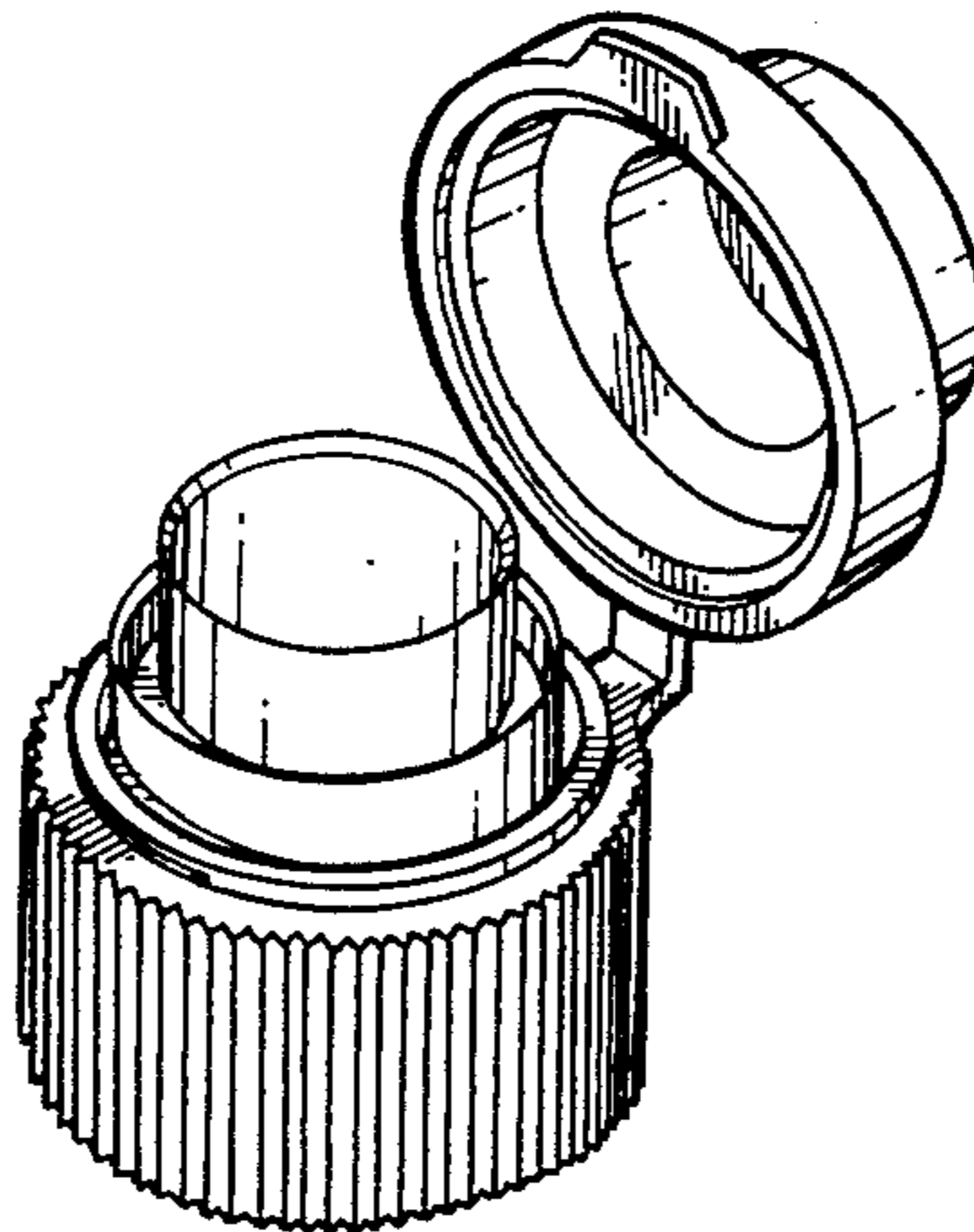
*Attorney, Agent, or Firm*—Thomas & Kennedy

[57] **CLAIM**

The ornamental design for a bottle cap for edible oil, as shown and described.

**DESCRIPTION**

FIG. 1 is a front perspective view of a bottle cap for edible oil in an open position showing my new design; FIG. 2 is a right side elevation view thereof; FIG. 3 is a left side elevation view thereof; FIG. 4 is a top plan view thereof; FIG. 5 is a front elevation view thereof, the rear elevation view being a mirror image thereof; and FIG. 6 is a bottom plan view thereof.



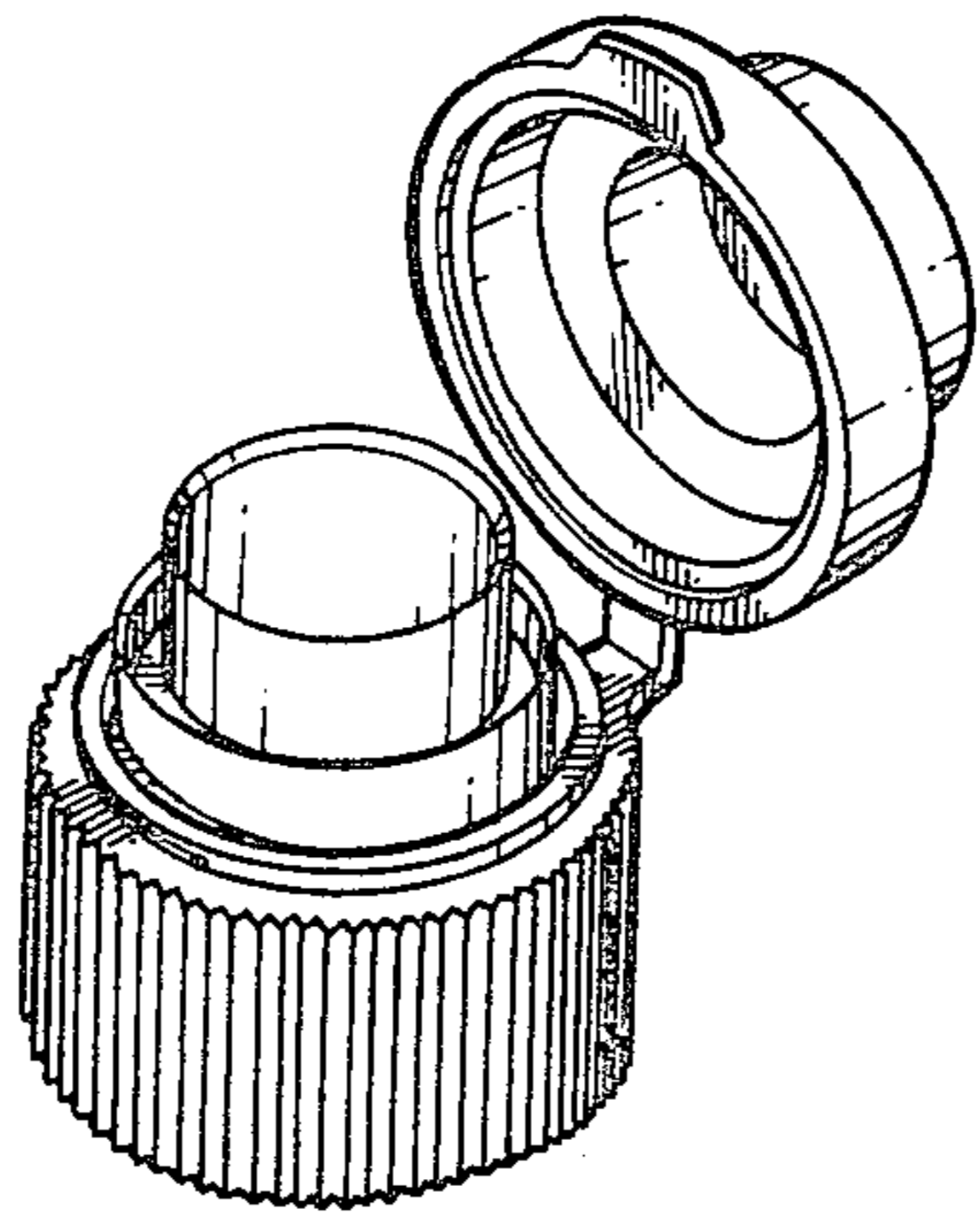


FIG. 1

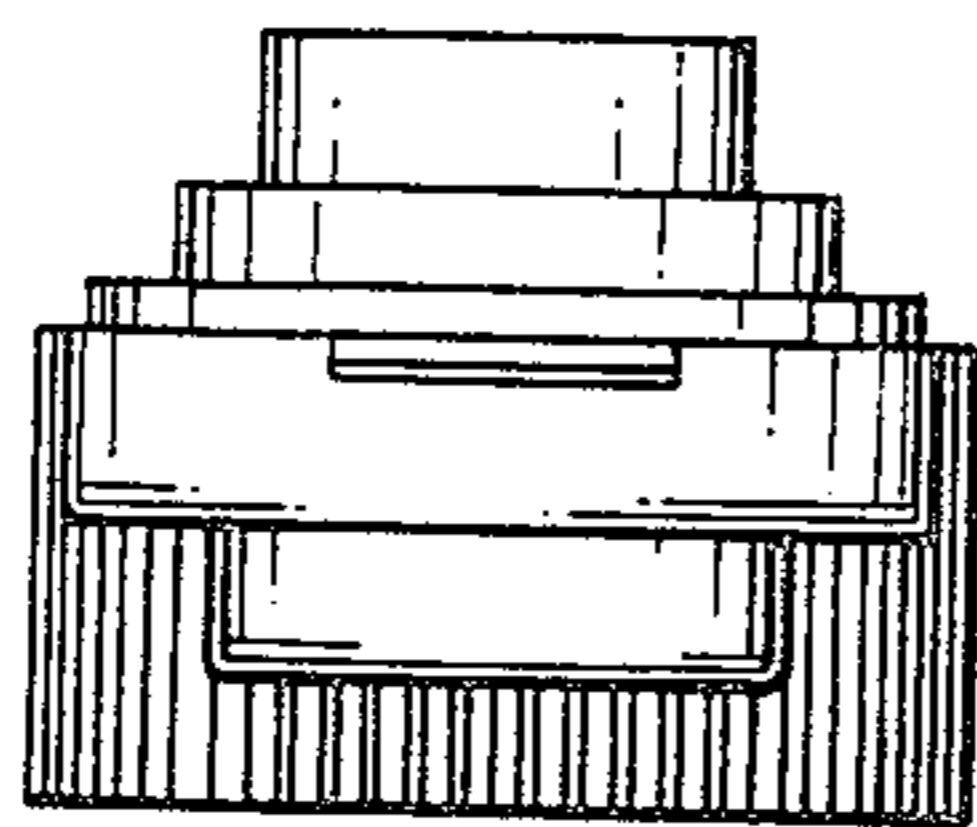


FIG. 2

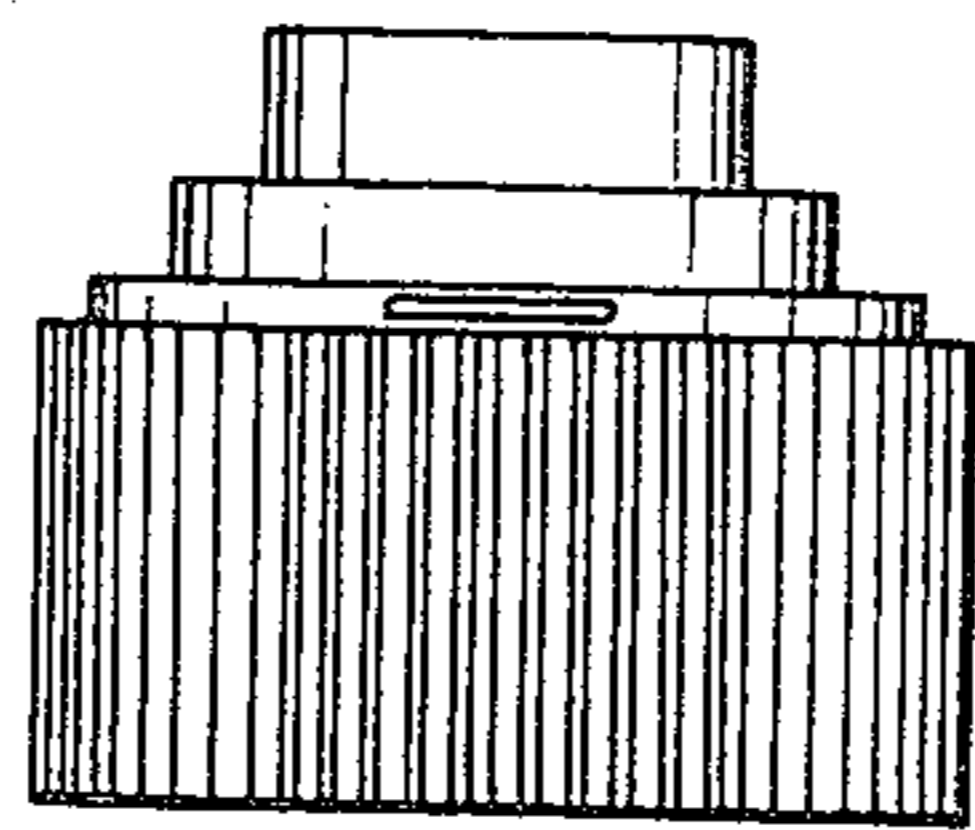


FIG. 3

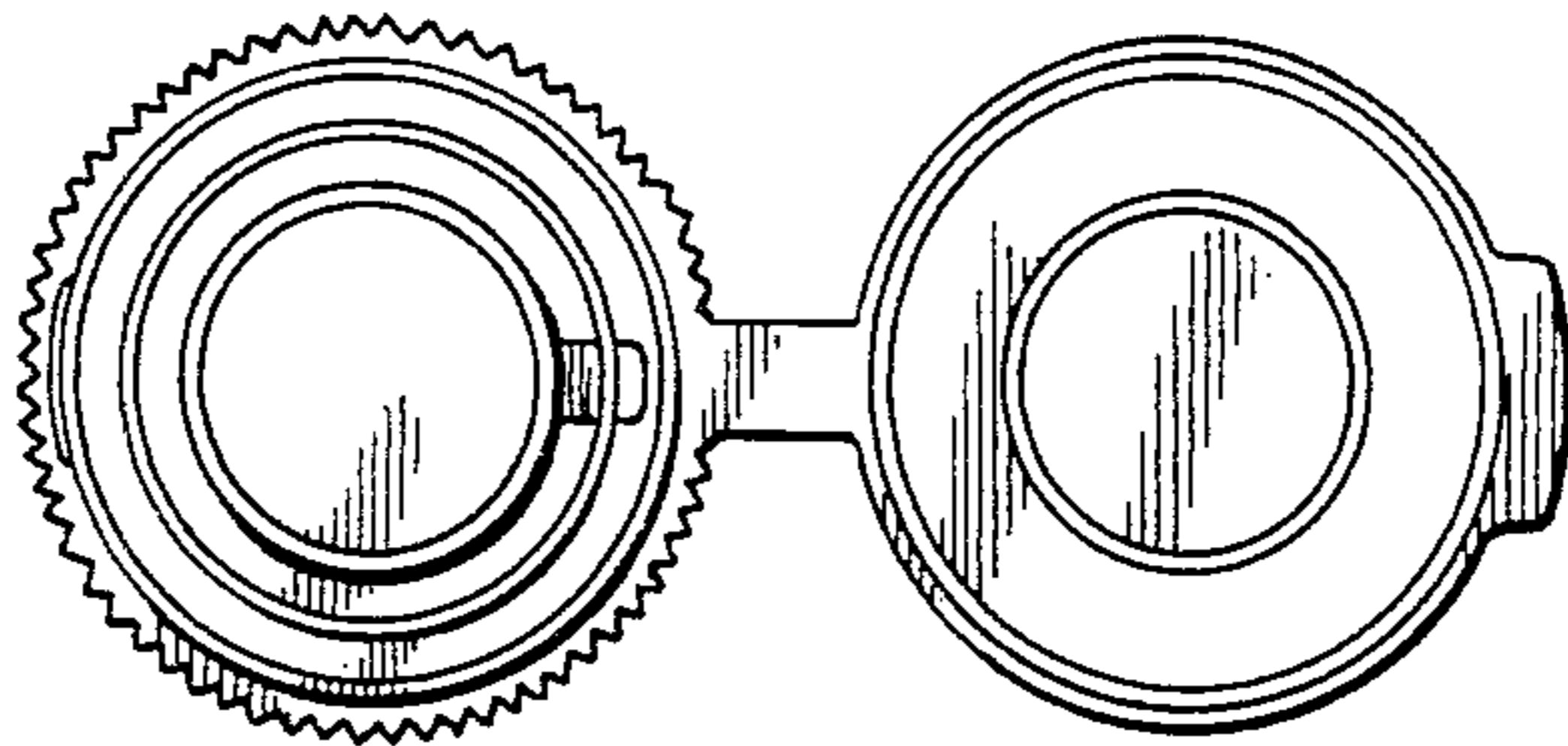


FIG. 4

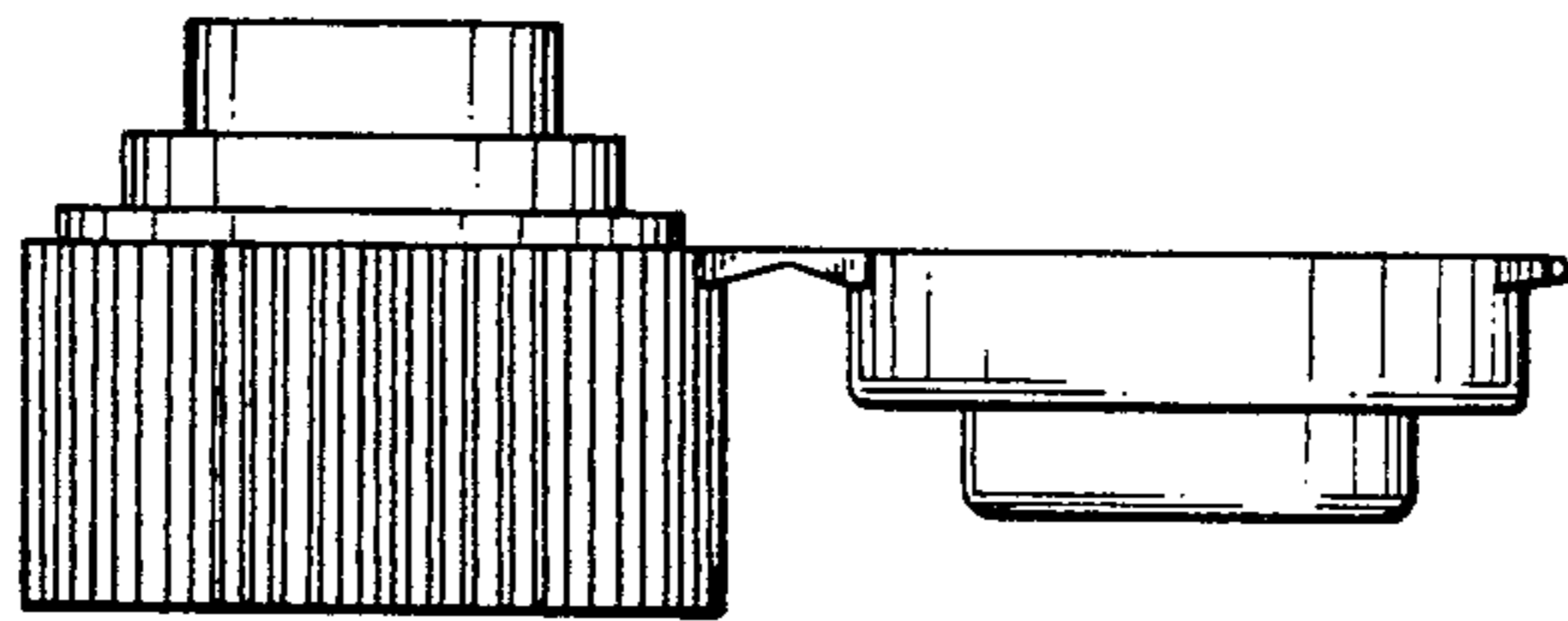


FIG. 5

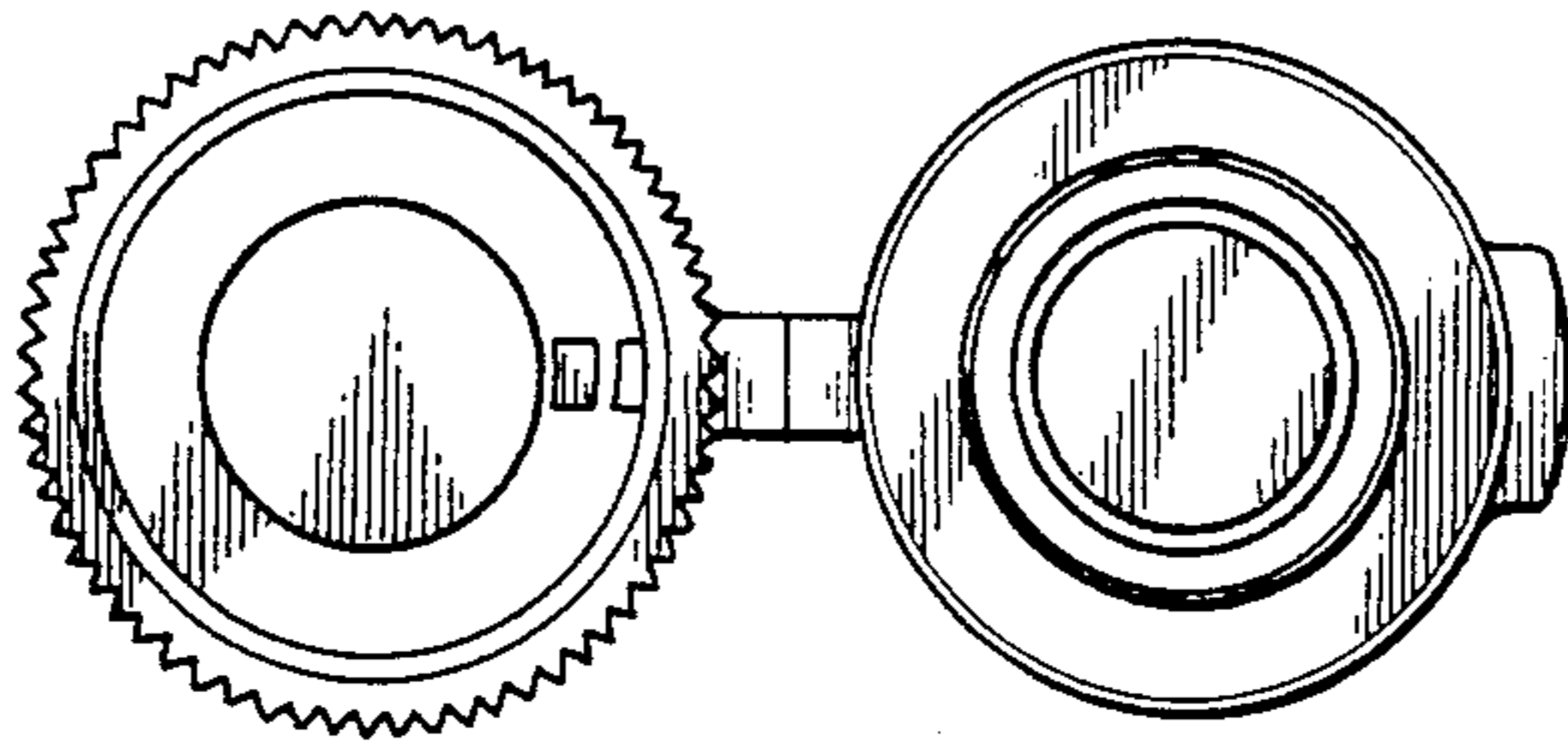


FIG. 6