

[54] PUMP SUPPORT BRACKET FOR A JETTED WHIRLPOOL BATH

[76] Inventor: Philip E. Chalberg, 1119 Maple Ave., Orange, Calif. 92668

[**] Term: 14 Years

[21] Appl. No.: 460,226

[22] Filed: Jan. 24, 1983

[52] U.S. Cl. D8/380

[58] Field of Search D8/380; D15/7, 9; 248/674, 417

D. 259,114	5/1981	Cyrell	D8/380
D. 262,114	12/1981	Rowlands	D15/7
1,548,833	8/1925	Flegel	248/674
3,171,333	3/1965	Mandy	D15/7

Primary Examiner—Wallace R. Burke
Assistant Examiner—Horace B. Fay
Attorney, Agent, or Firm—Leonard Tachner

[57] CLAIM

The ornamental design for a pump support bracket for a jetted whirlpool bath, as shown and described.

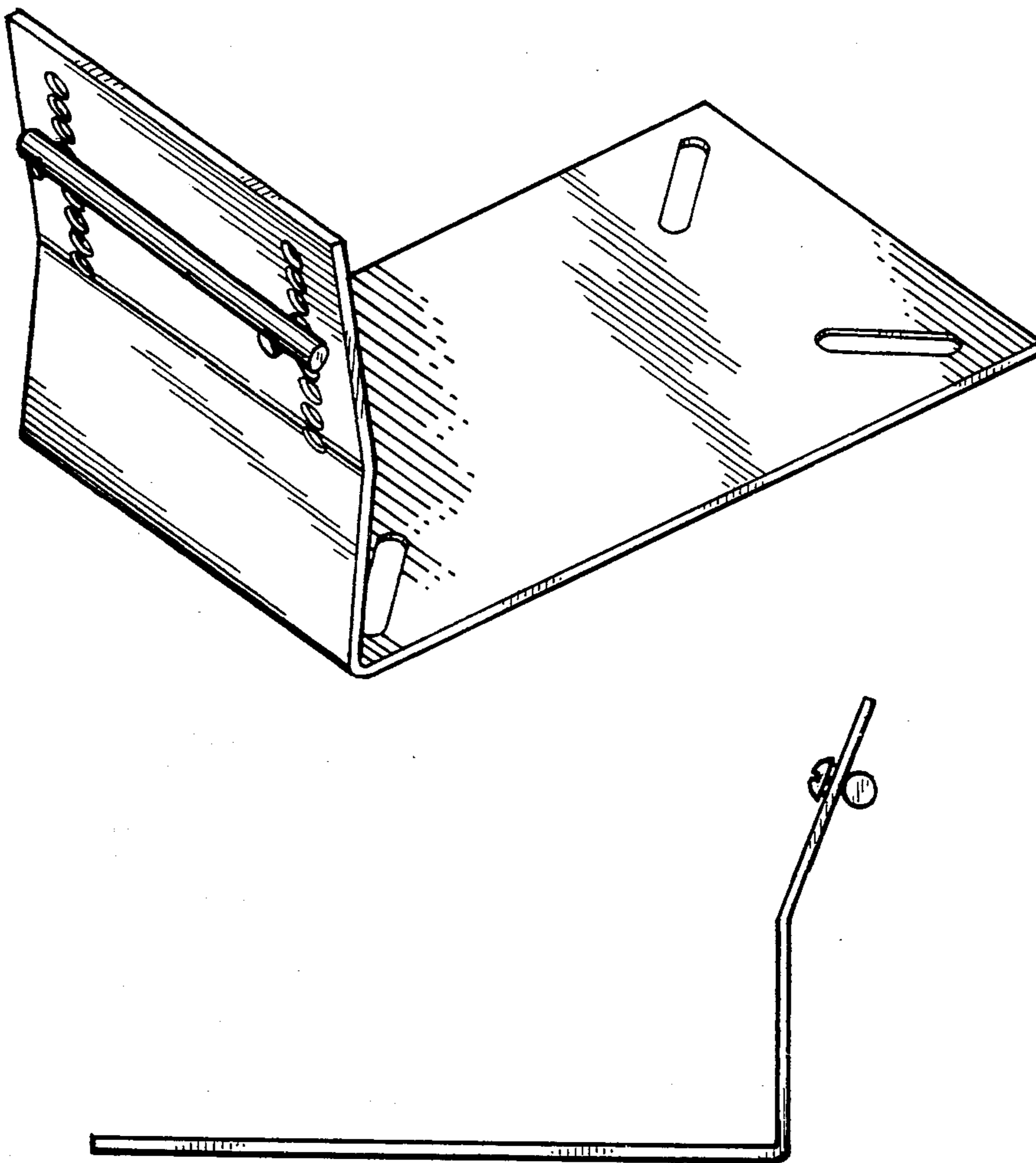
DESCRIPTION

FIG. 1 is an isometric view of a pump support bracket for a jetted whirlpool bath showing my new design; FIG. 2 is a top plan view thereof; FIG. 3 is an elevational view of one end; FIG. 4 is an elevational view of the opposite end; FIG. 5 is an elevational view of one side, and the view of the side opposite is a mirror image thereof; and FIG. 6 is a bottom plan view.

[56] References Cited

U.S. PATENT DOCUMENTS

D. 87,702	9/1932	Gufiero	D8/380
D. 204,690	5/1966	Neill	D8/380
D. 213,802	4/1969	Manville	D8/380
D. 222,903	2/1972	Griffith	D8/380
231,440	8/1880	Miller	248/674
D. 238,049	12/1975	Hertzel	D8/380



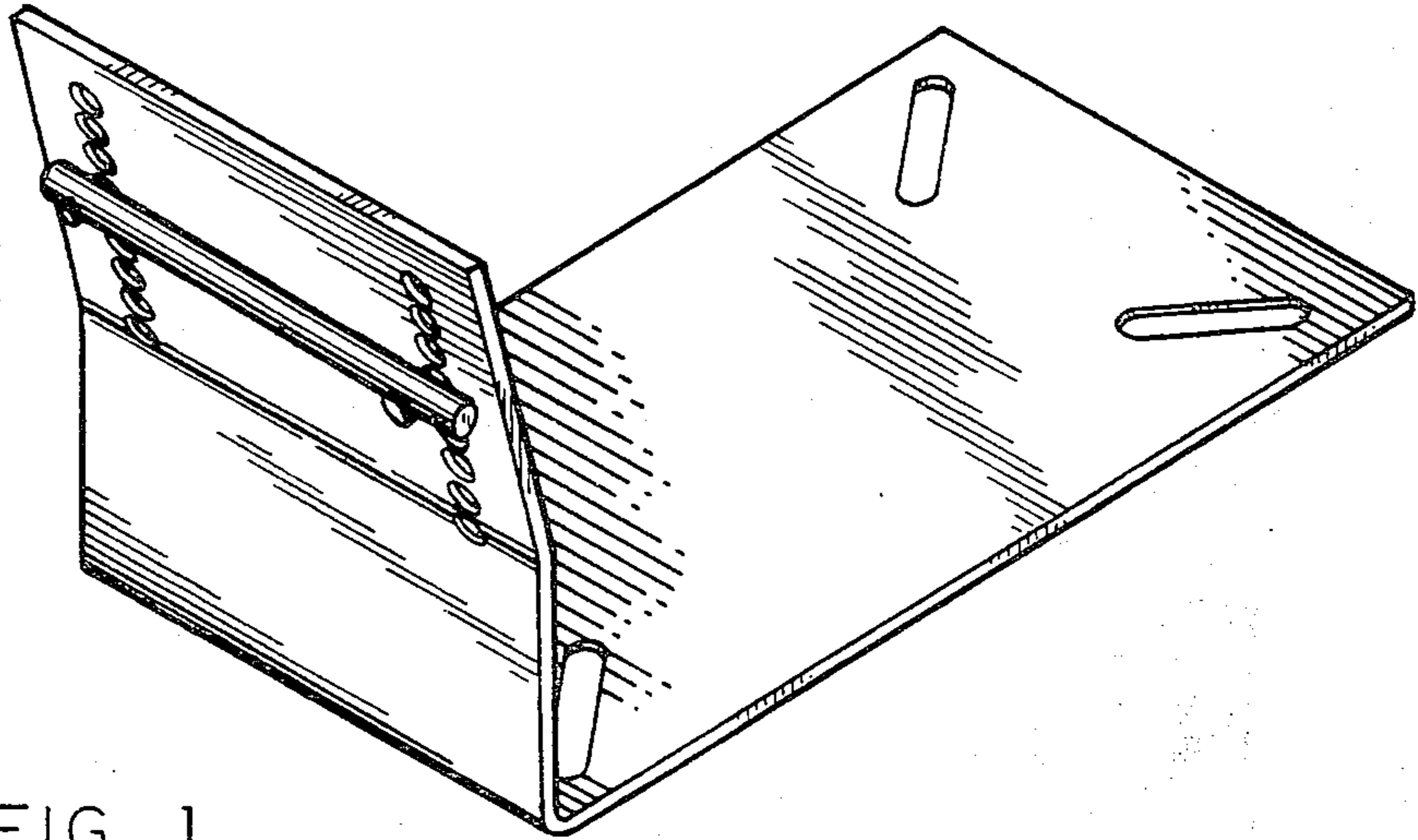


FIG. 1

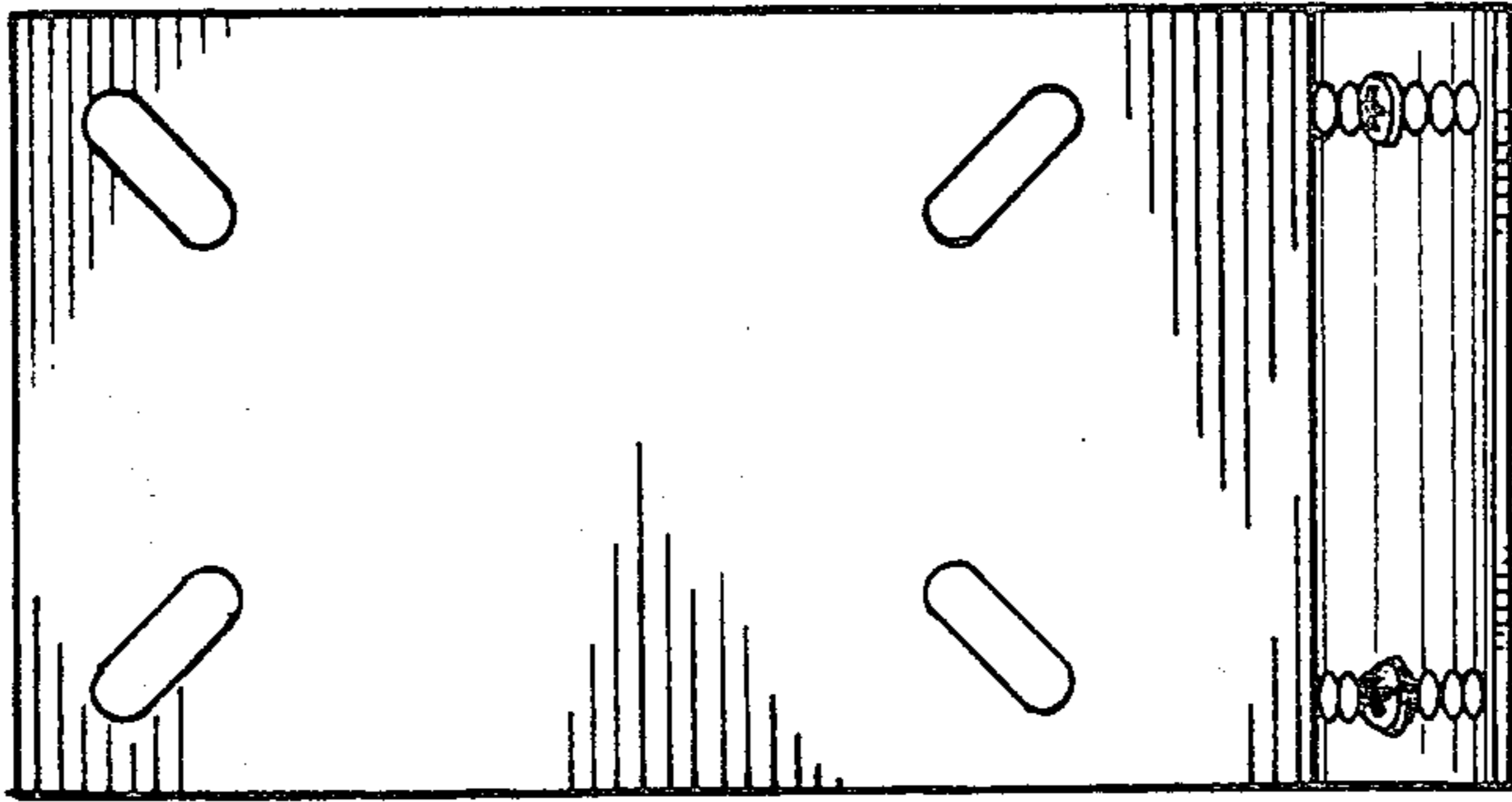


FIG. 2

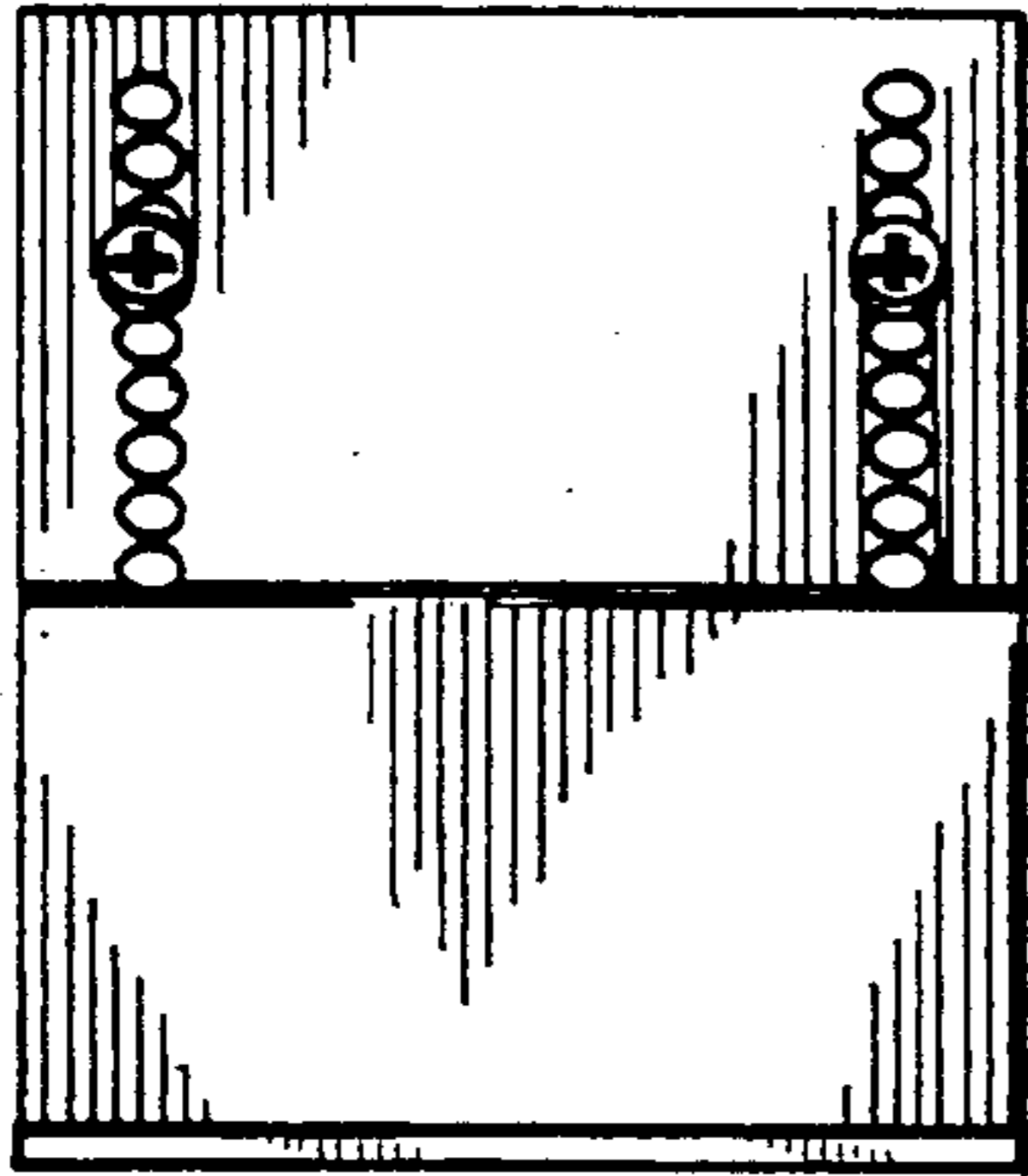


FIG. 3

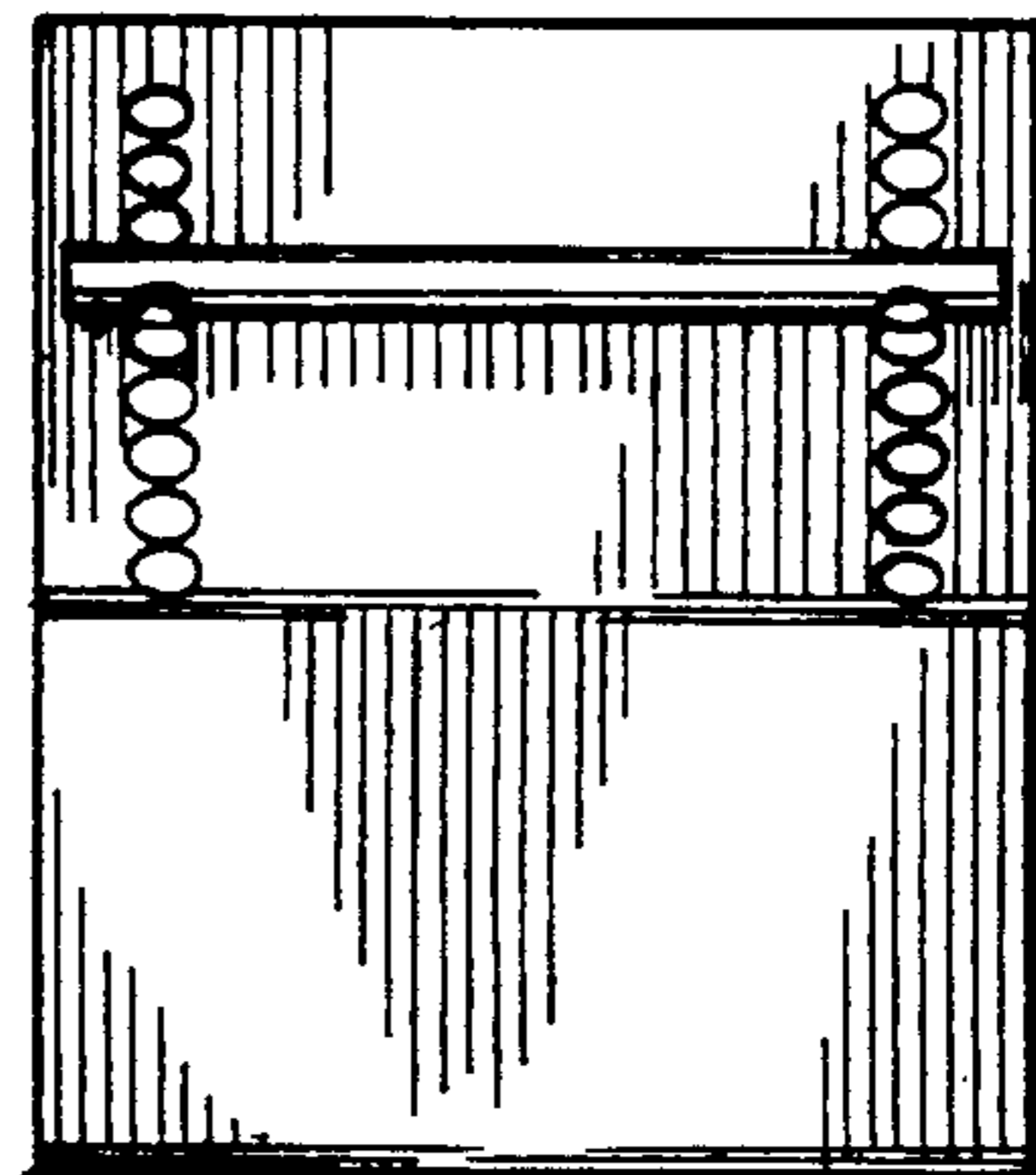


FIG. 4

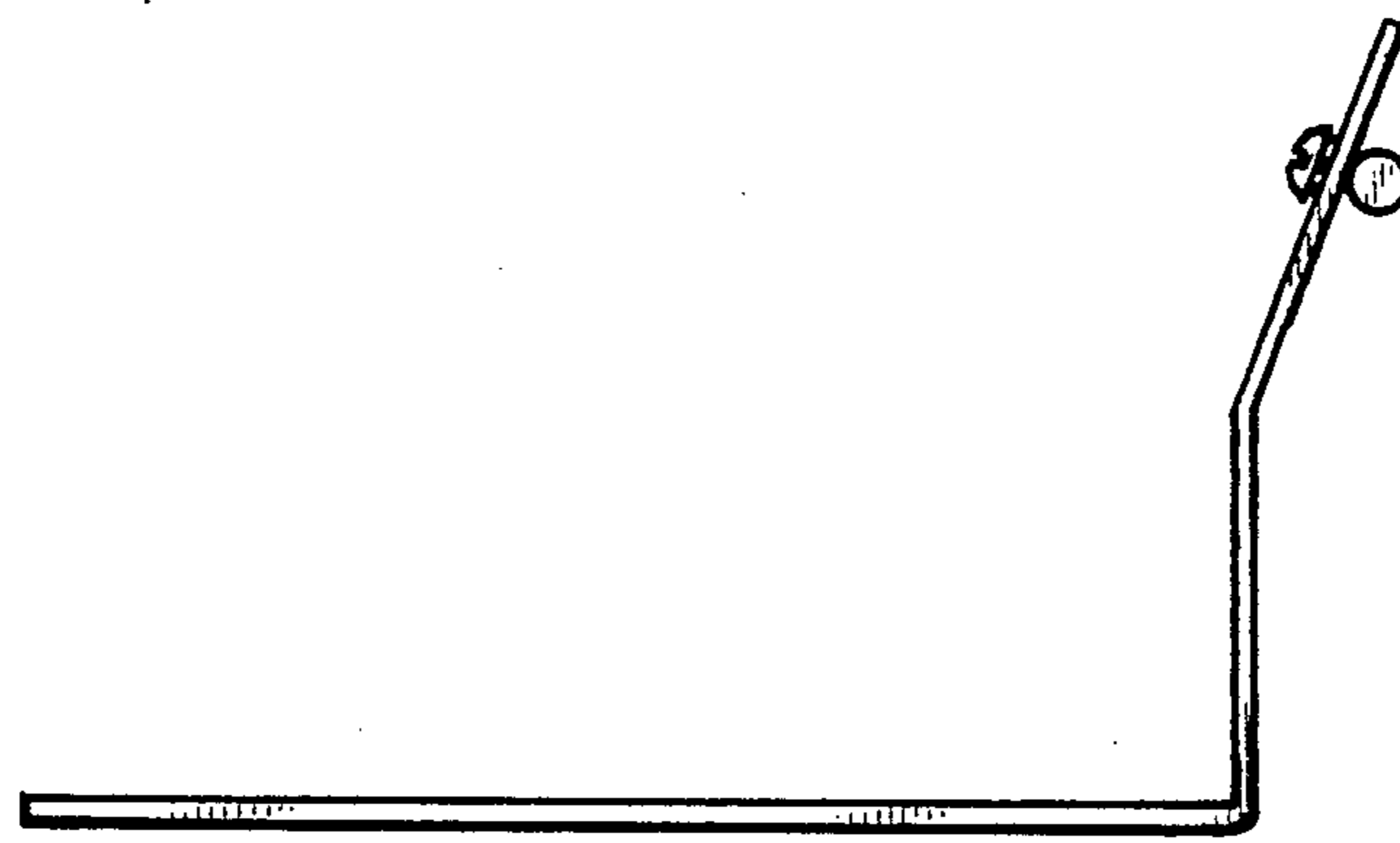


FIG. 5

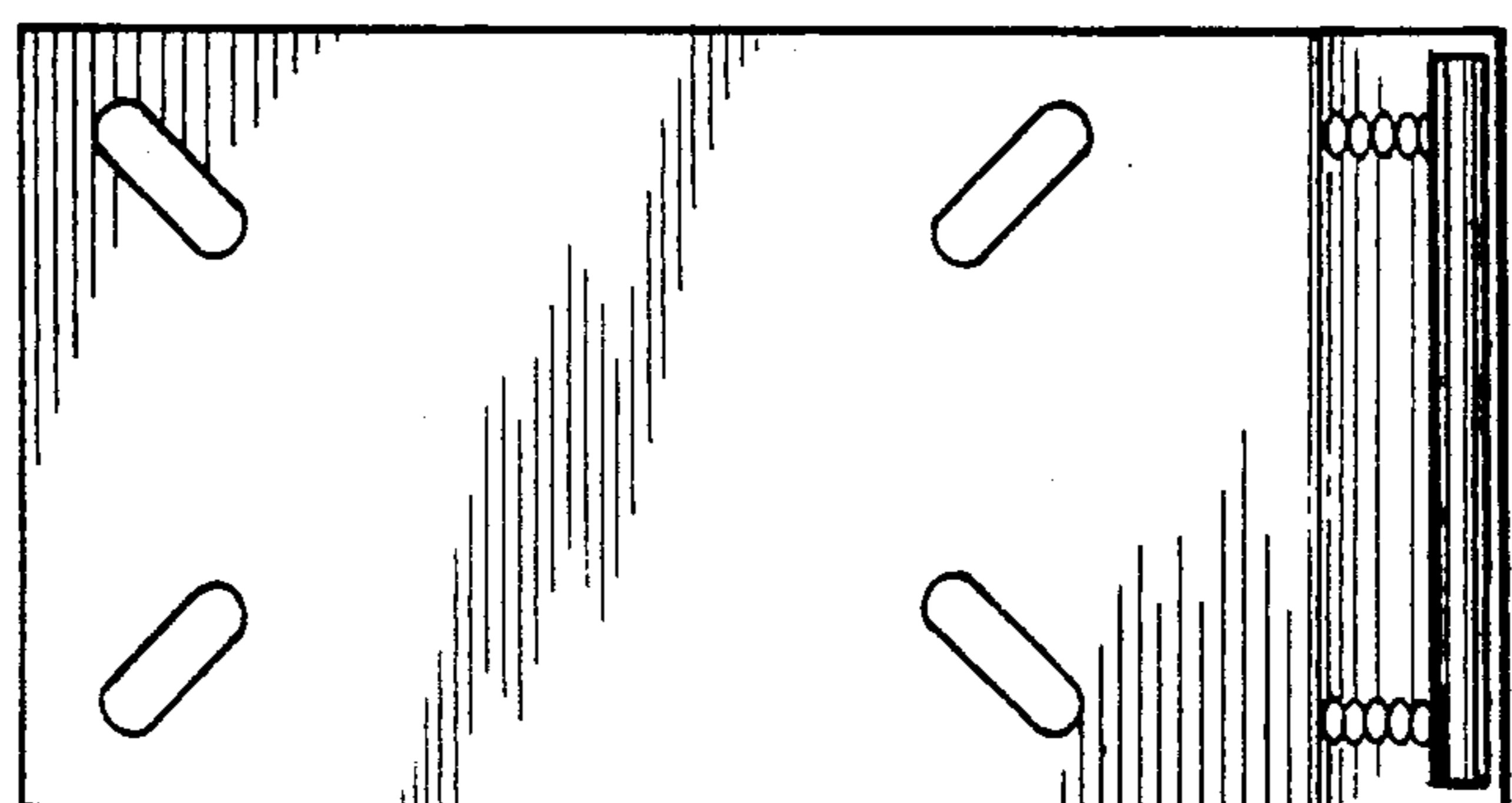


FIG. 6