

[54] ELECTRIC HAND DRILL

[75] Inventor: Robert I. Somers, Raleigh, N.C.

[73] Assignee: Black & Decker, Inc., Del.

[**] Term: 14 Years

[21] Appl. No.: 504,412

[22] Filed: Jun. 15, 1983

[52] U.S. Cl. D8/61; D8/68

[58] Field of Search D8/30, 61, 68, 107, D8/51; 173/163, 169, 170; 81/54, 57.11; 408/124, DIG. 1; 310/50; 222/146 HE; 219/230, 421; 72/391, 453.15

[56] References Cited

U.S. PATENT DOCUMENTS

- D. 225,300 12/1972 Boldt D8/68
- D. 259,392 6/1981 Elmessaar et al. D8/68
- 3,357,275 12/1967 Green, Jr. et al. D8/68 X
- 3,652,879 3/1972 Plunkett et al. 408/124 X

FOREIGN PATENT DOCUMENTS

- 2752208 6/1979 Fed. Rep. of Germany 310/50

OTHER PUBLICATIONS

- Black & Decker 302, Jul.-Dec., 1977, cover (back and front), and p. 11.
- Sears Catalog of Power and Hand Tools, 1979-1980, (back and front), and pp. 60 and 61.
- Shopcraft brochure entitled "Benchtop and Portable

Power Tools", copyright 1981, cover (back and front) and unnumbered page.

Skil Consumer Products Catalog, CP-511, dated approximately 1981, cover and pp. 6 and 7.

Shopmate Power Tool Catalog No. 109-72C, date unknown (back and front), and pp. 7 and 8.

Appliance Manufacturer, Sep. 1963, p. 81.

Thor Brochure, date unknown.

Silvo Hardware Company, 1984, cover and p. 8.

Silvo Hardware Company Catalog, 1984, cover and p. 20.

Wen Dealer Catalog CA-1080, cover and p. 4.

Black & Decker Air Tools Catalog No. AT-1, (6.72), cover (back and front) and p. 14.

Primary Examiner—Susan J. Lucas

Assistant Examiner—C. E. Heflin

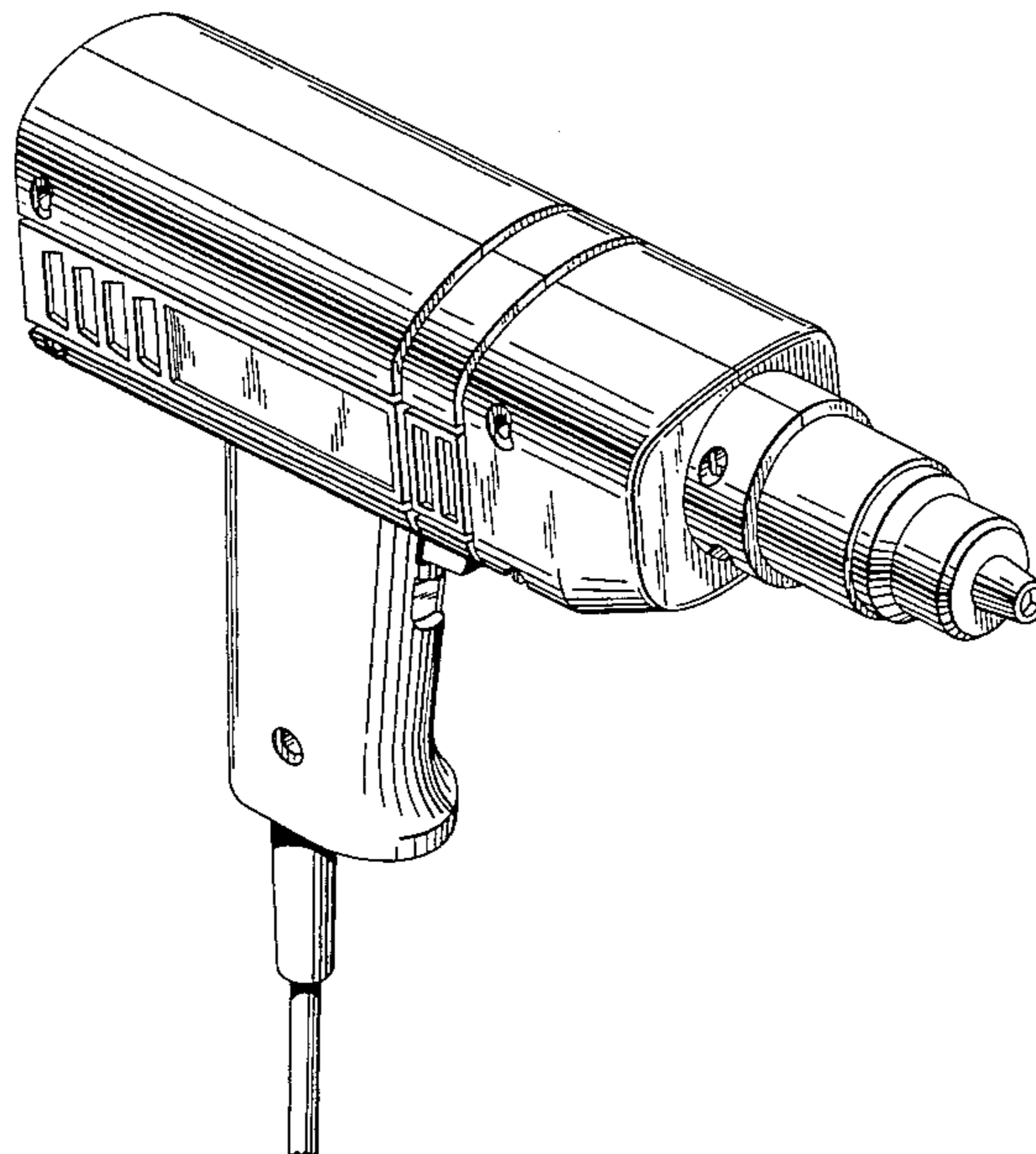
Attorney, Agent, or Firm—Finnegan, Henderson, Farabow, Garrett & Dunner

[57] CLAIM

The ornamental design of an electric hand drill, as shown and described.

DESCRIPTION

- FIG. 1 is a right side elevational view of the electric hand drill showing my new design;
- FIG. 2 is a left side elevational view thereof;
- FIG. 3 is a bottom plan view thereof;
- FIG. 4 is a top plan view thereof;
- FIG. 5 is a front elevational view thereof;
- FIG. 6 is a rear elevational view thereof.
- FIG. 7 is a perspective view thereof.



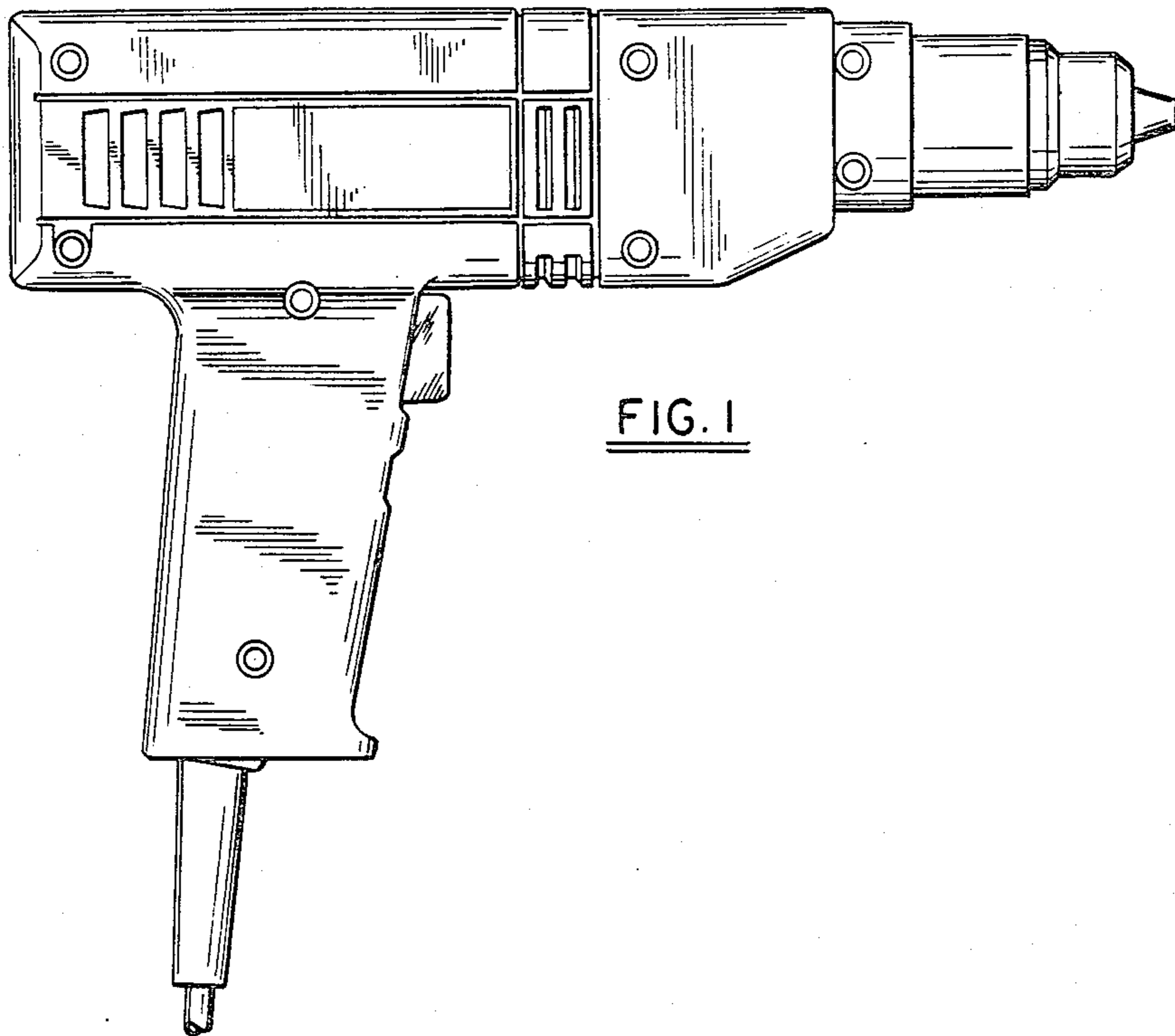


FIG. 1

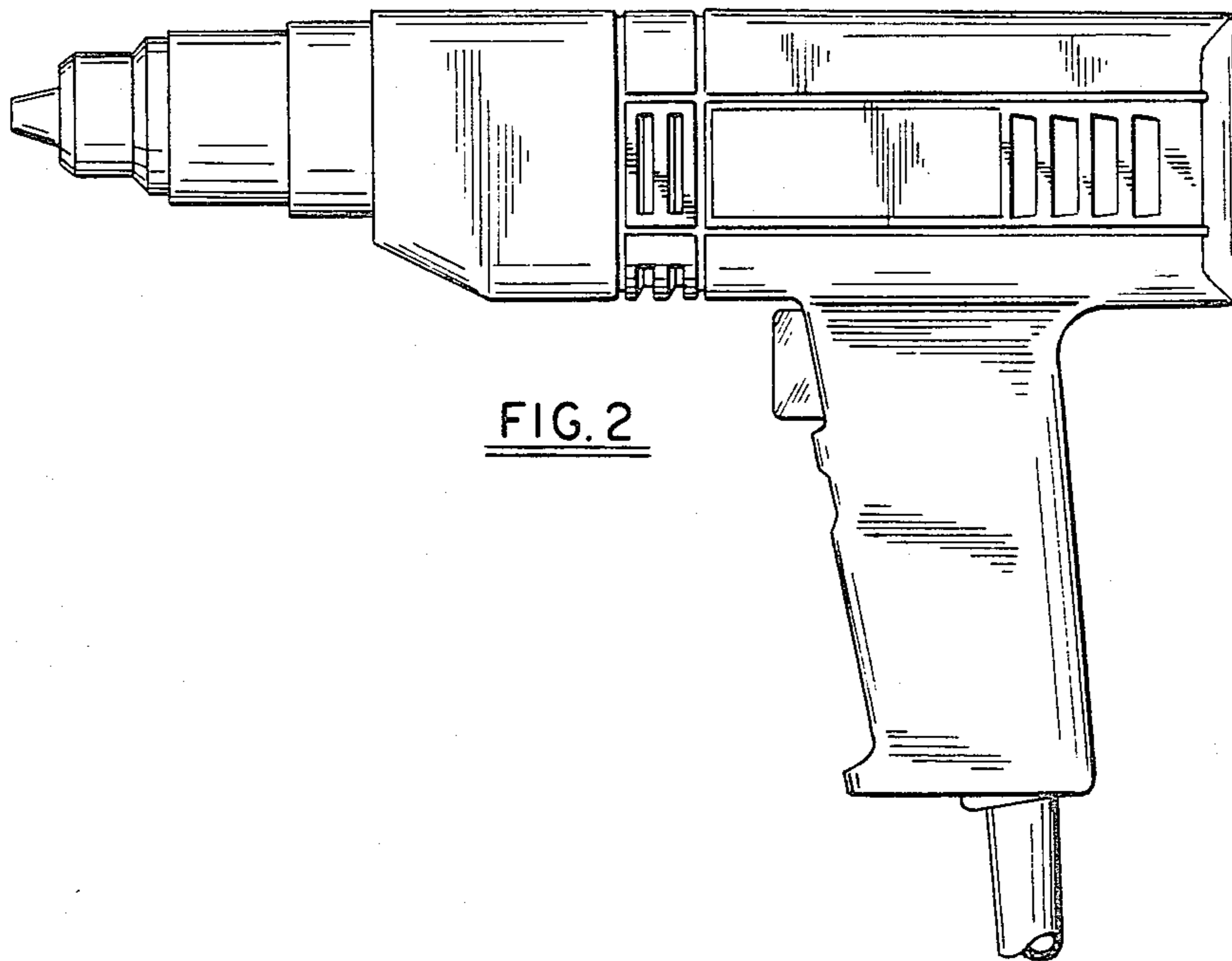


FIG. 2

FIG. 3

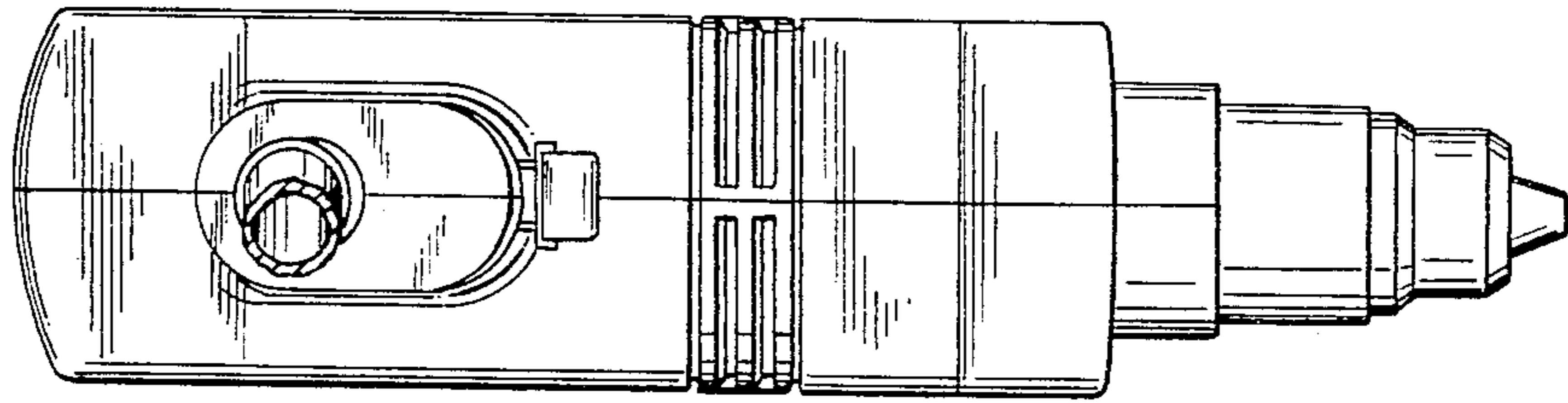


FIG. 4

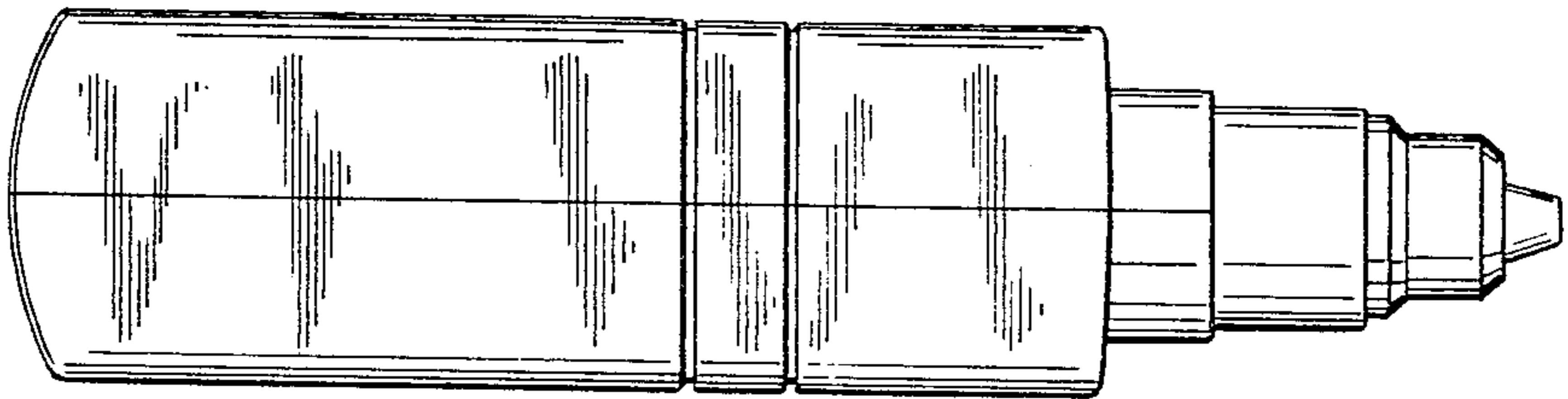


FIG. 5

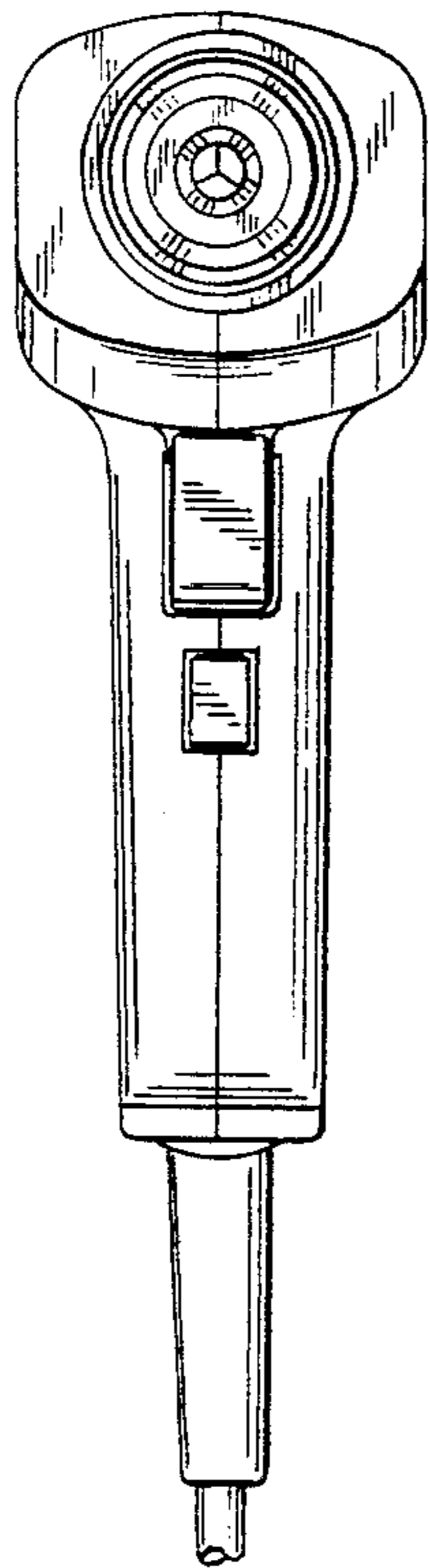
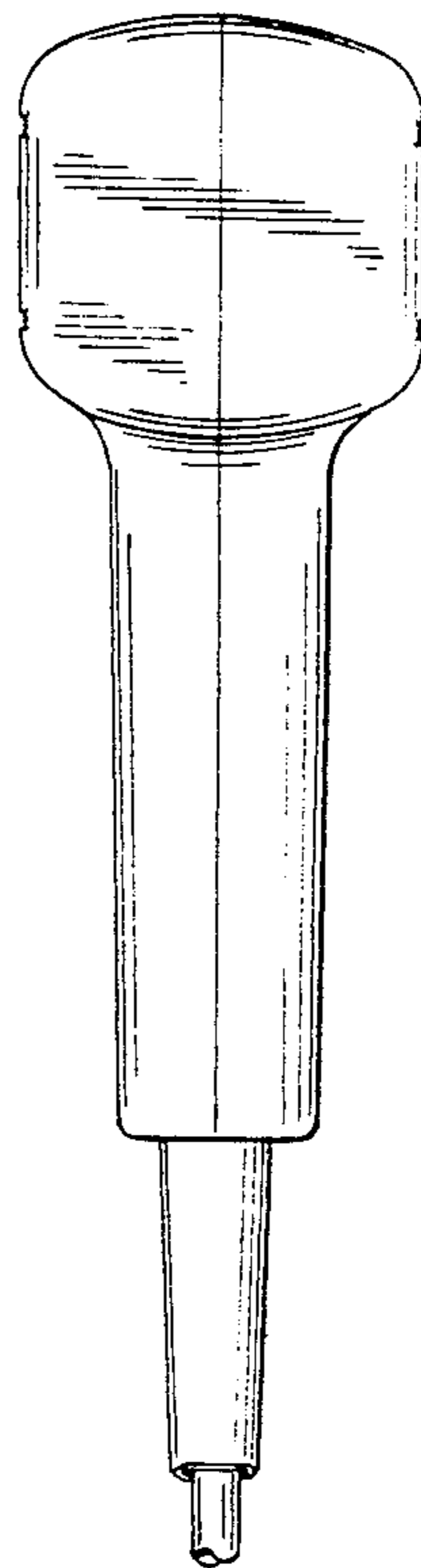


FIG. 6



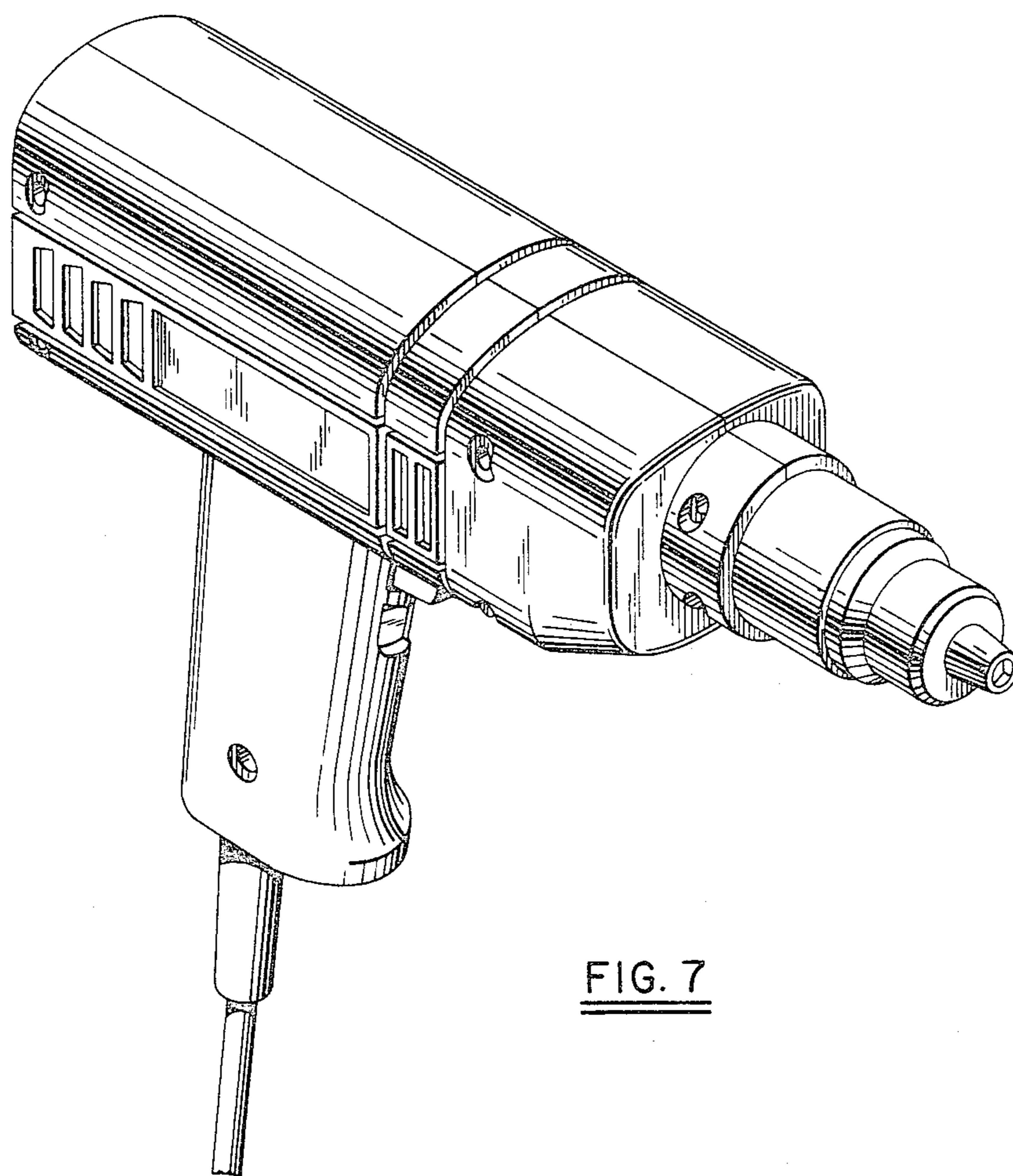


FIG. 7