

[54] **RIVET TOOL OR SIMILAR ARTICLE**

[75] **Inventor: David J. Jordan, Broken Arrow, Okla.**

[73] **Assignee: Accessory Sales, Inc., Kimball, Nebr.**

[**] **Term: 14 Years**

[21] **Appl. No.: 412,247**

[22] **Filed: Aug. 27, 1982**

[52] **U.S. Cl. D8/14**

[58] **Field of Search D8/14, 51, 52, 386; 30/358, 368; 29/243.53, 243.54, 257, 34 R, 34 B, 34 D; 59/7; 81/9.5 R, 9.5 A, 9.5 B, 9.5 C, 313, 415, 420; 72/409, 464**

[56] **References Cited**

U.S. PATENT DOCUMENTS

D. 213,524 3/1969 Scarnato et al. D8/51
554,836 2/1896 Savory 29/243.54

3,253,493 5/1966 Weisbeck 30/358 X

FOREIGN PATENT DOCUMENTS

180892 6/1922 United Kingdom 29/243.54

Primary Examiner—Susan J. Lucas

Assistant Examiner—C. E. Heflin

Attorney, Agent, or Firm—Berman, Aisenberg & Platt

[57] **CLAIM**

The ornamental design for a rivet tool or similar article, as shown and described.

DESCRIPTION

FIG. 1 is a top plan view of a rivet tool or similar article showing my new design;

FIG. 2 is a side elevational view thereof, the opposite side being identical;

FIG. 3 is a front elevational view thereof, the rear being a mirror image;

FIG. 4 is a bottom plan view thereof.

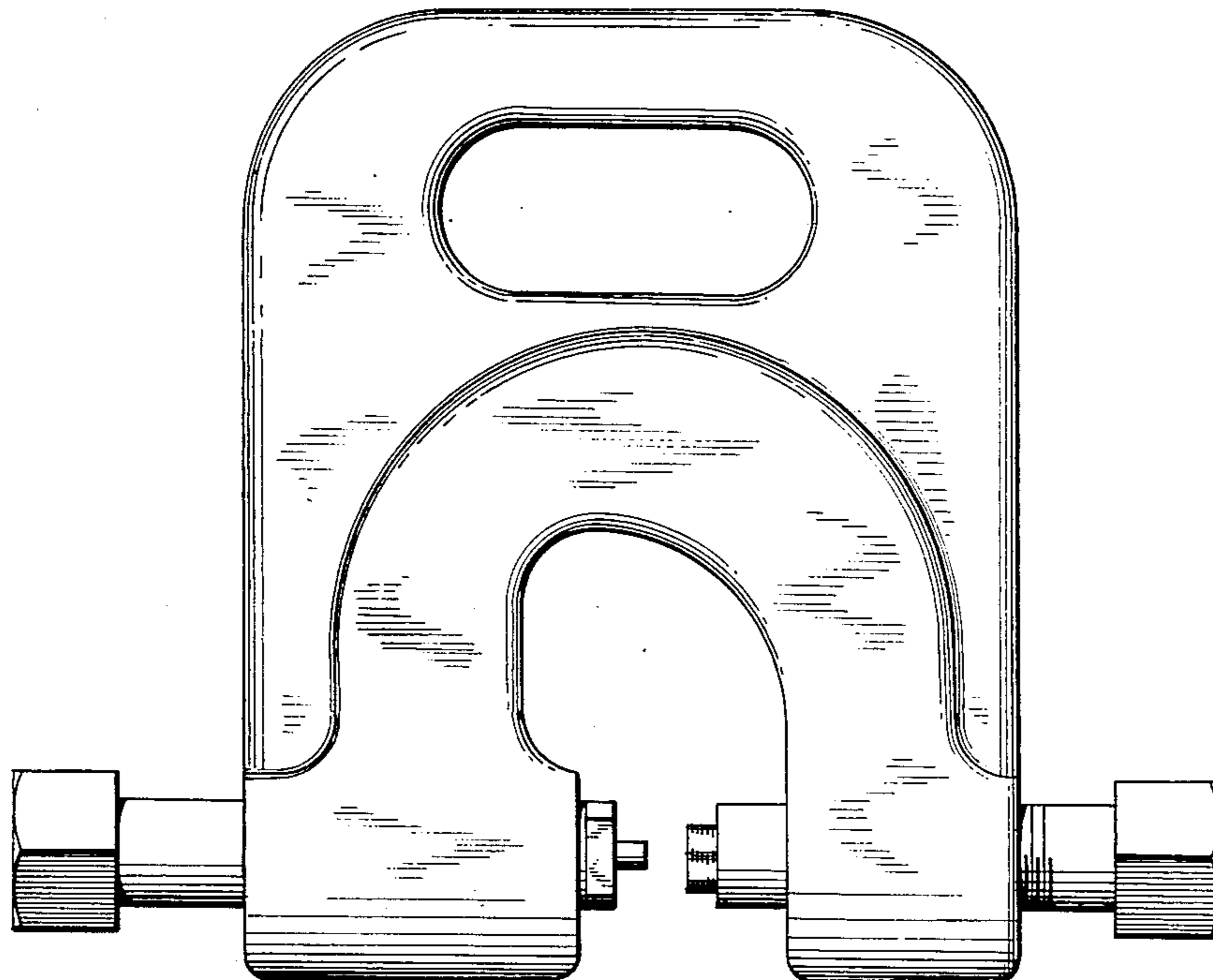


FIG. 1

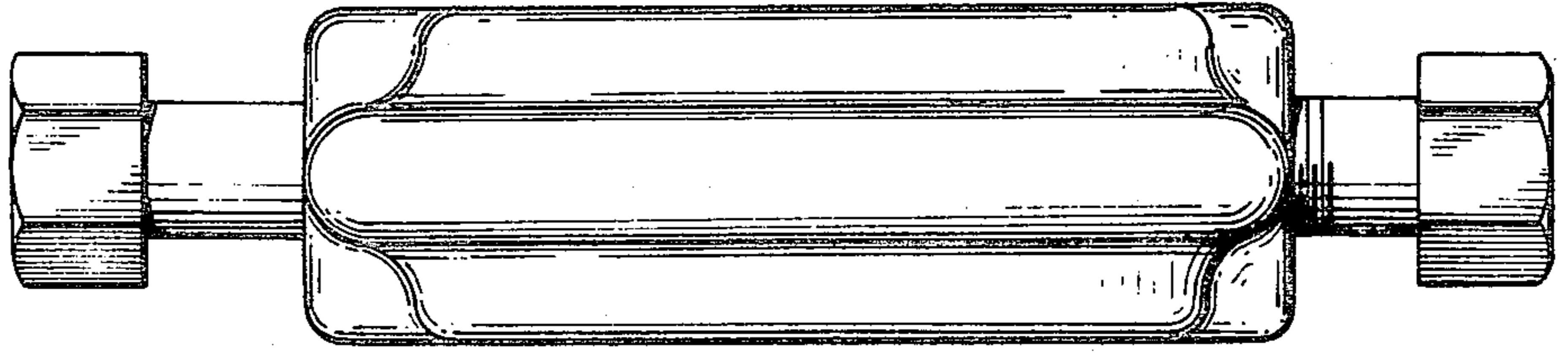


FIG. 2

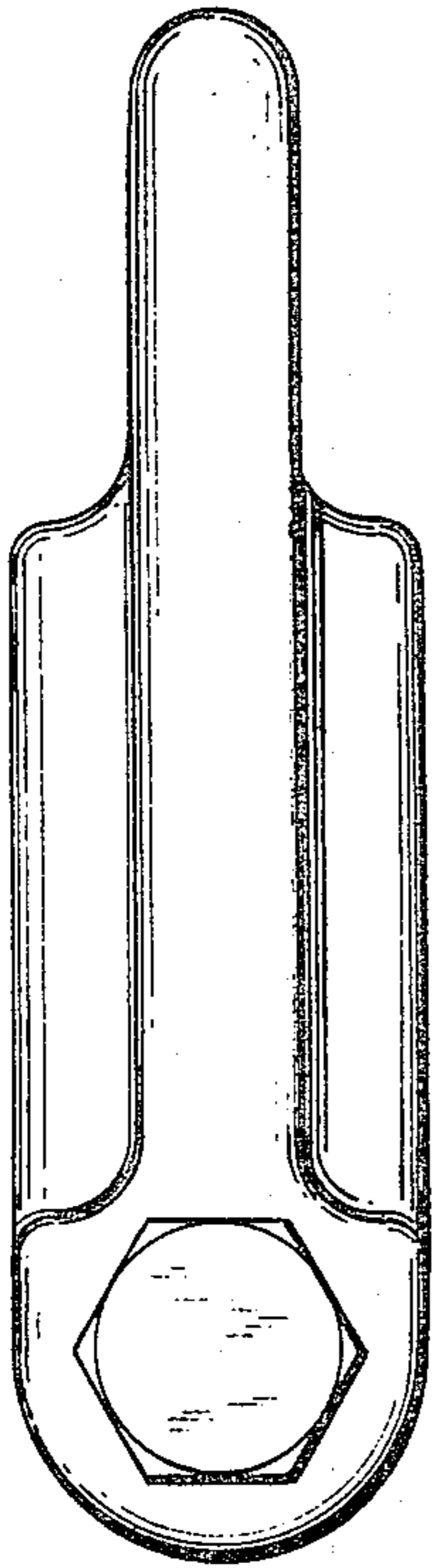


FIG. 3

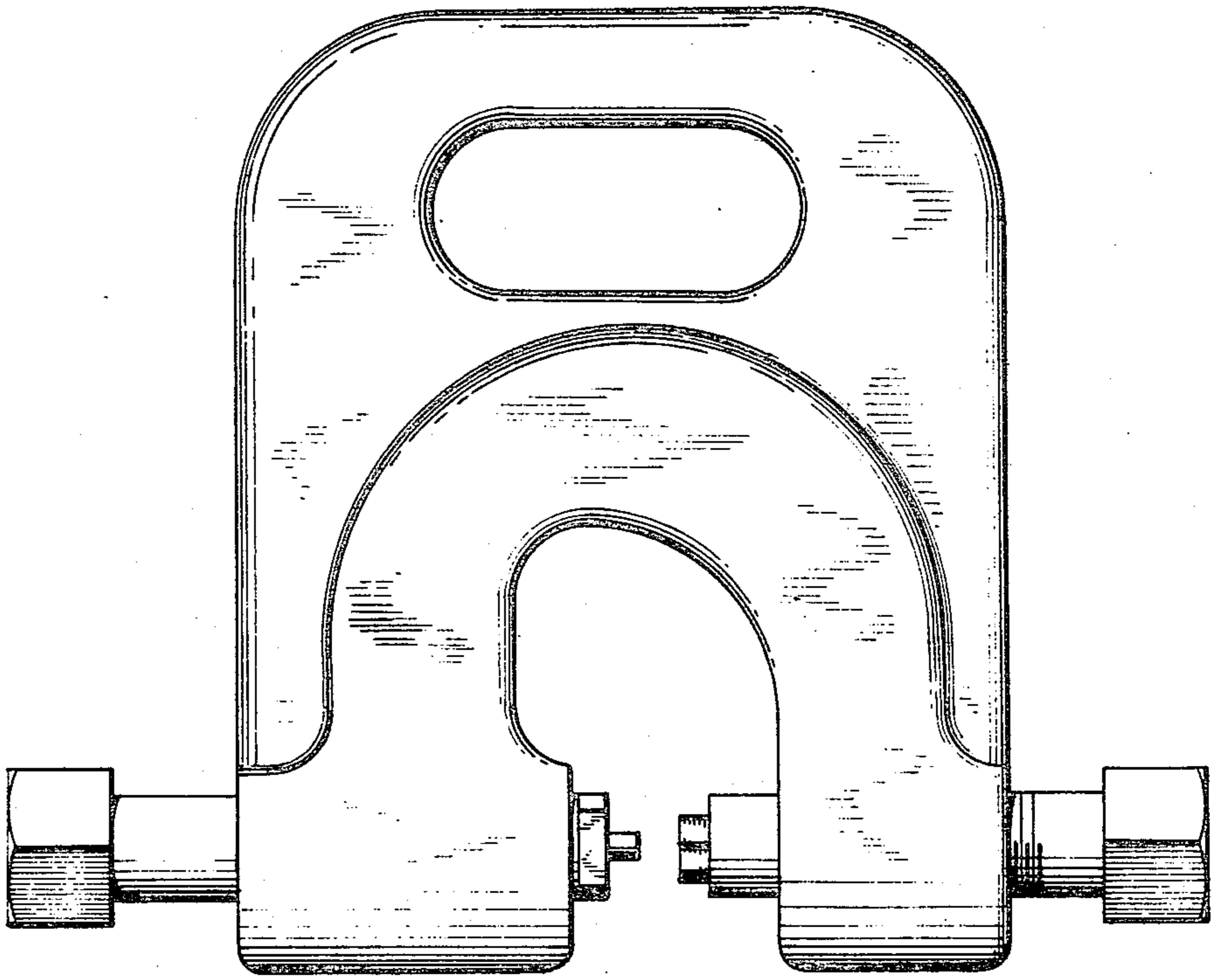


FIG. 4

