

[54] **DOUGH MOLD**

[75] **Inventors:** Ian Thornton, Flackwell Heath;
Kenneth DeWitt, Reading; Simon
Robertson, West Reading, all of
England

[73] **Assignee:** Keebler Company, Elmhurst, Ill.

[**] **Term:** 14 Years

[21] **Appl. No.:** 404,564

[22] **Filed:** Aug. 2, 1982

[30] **Foreign Application Priority Data**

Feb. 2, 1982 [GB] United Kingdom 1004917
[52] **U.S. Cl.** **D7/43**
[58] **Field of Search** D7/43, 46, 99; 249/117,
249/140; 99/450.6

[56] **References Cited**

U.S. PATENT DOCUMENTS

825,775	7/1906	Stumpf	D7/43 X
1,896,313	2/1933	Hubbell et al.	D7/43 X
2,517,432	8/1950	Hornberger	249/140 X
2,546,656	3/1951	Smith	249/117
3,322,074	5/1967	Malnory	D7/43 X
3,864,071	2/1975	Lamonica	D7/43 X

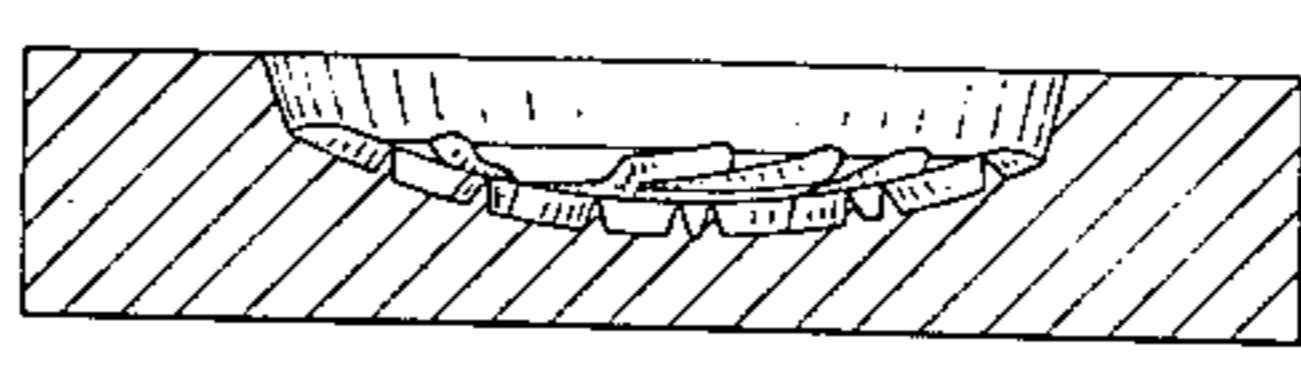
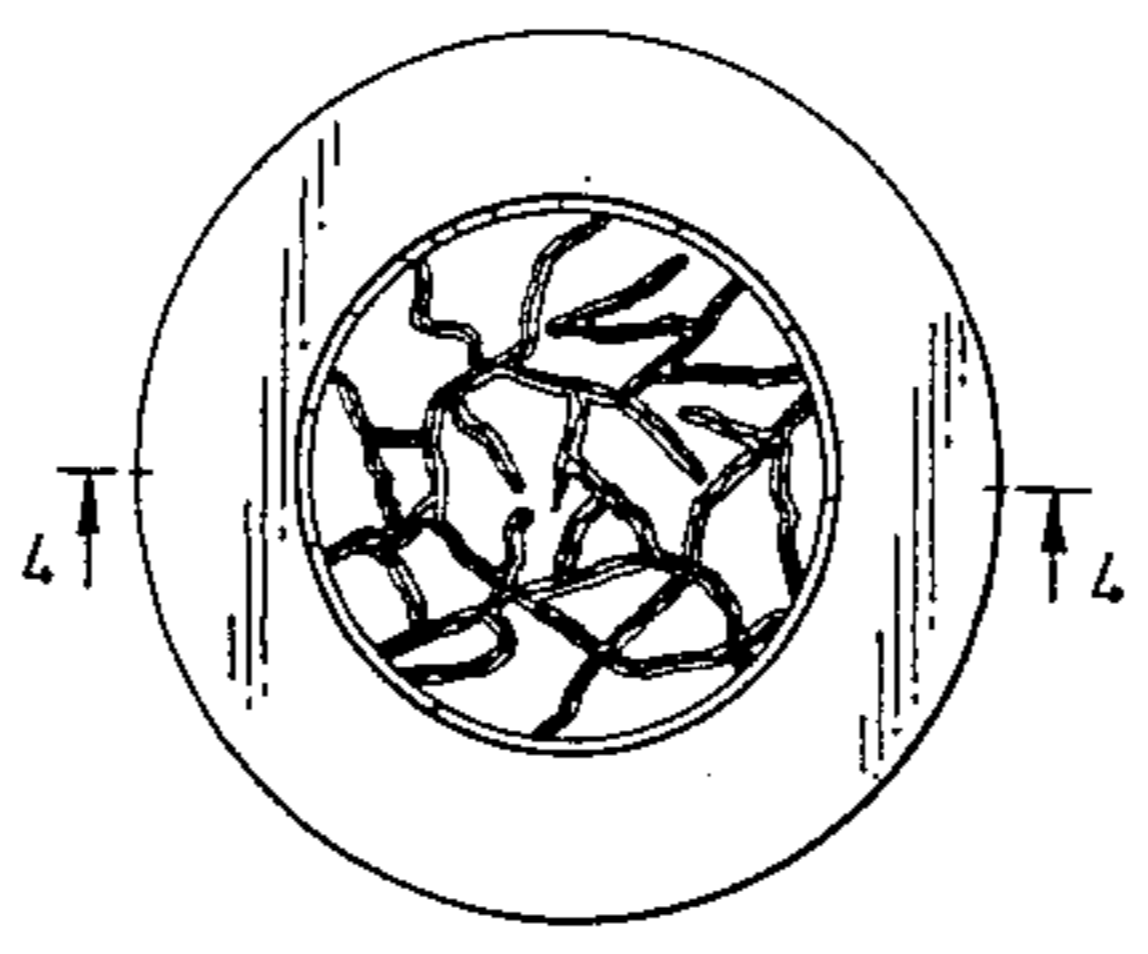
Primary Examiner—Winifred E. Herrmann
Attorney, Agent, or Firm—Lockwood, Alex, FitzGibbon
& Cummings

[57] **CLAIM**

The ornamental design for a dough mold, substantially
as shown and described.

DESCRIPTION

FIG. 1 is a top plan view of a dough mold showing our
new design;
FIG. 2 is a bottom plan view thereof;
FIG. 3 is a side elevational view thereof; and
FIG. 4 is an enlarged sectional view taken on line 4—4
of FIG. 1.



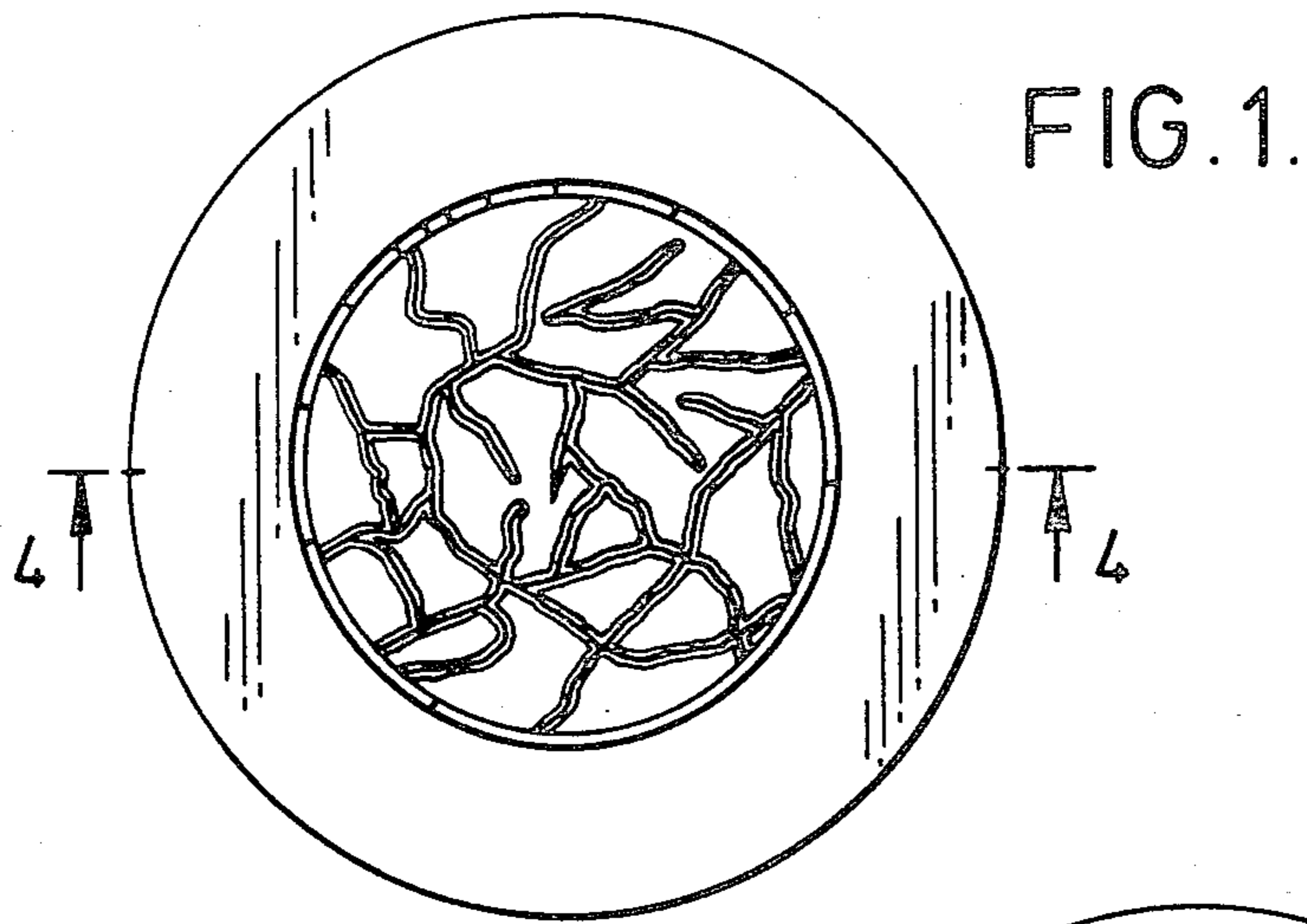


FIG. 2.

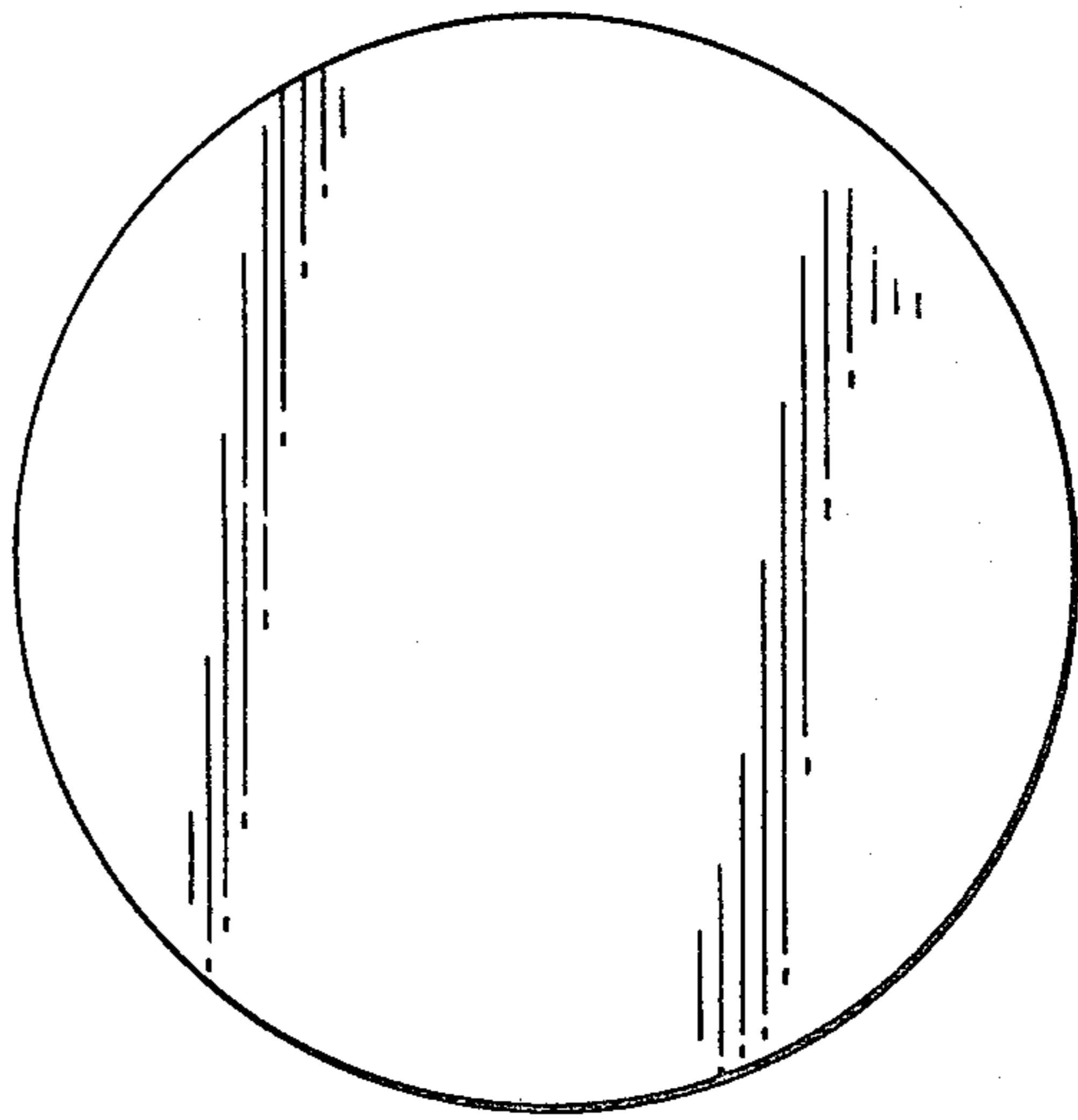


FIG. 4.

