

# United States Patent [19]

Fairbanks

[11] Patent Number: **Des. 280,792**

[45] Date of Patent: **\*\* Oct. 1, 1985**

- [54] **DRAPERY MODULE UNIT FOR DOORS, WINDOWS, AND THE LIKE**
- [75] Inventor: **Lyman N. Fairbanks, Arlington, Va.**
- [73] Assignee: **Custom Shade and Awning Corporation, Alexandria, Va.**
- [\*\*] Term: **14 Years**
- [21] Appl. No.: **483,936**
- [22] Filed: **Apr. 11, 1983**
- [52] U.S. Cl. .... **D6/575**
- [58] Field of Search ..... **D6/575, 579, 580; D92/1 PP, 1 AB; 160/84 R, 186, 187, 330, 388, 389, 166 R, 327**

- [56] **References Cited**  
**U.S. PATENT DOCUMENTS**  
1,752,610 4/1930 McSpadden ..... 160/84 R

- 4,342,356 8/1982 Sickels et al. .... 160/327 X
- 4,391,865 7/1983 Constance ..... 160/330 X

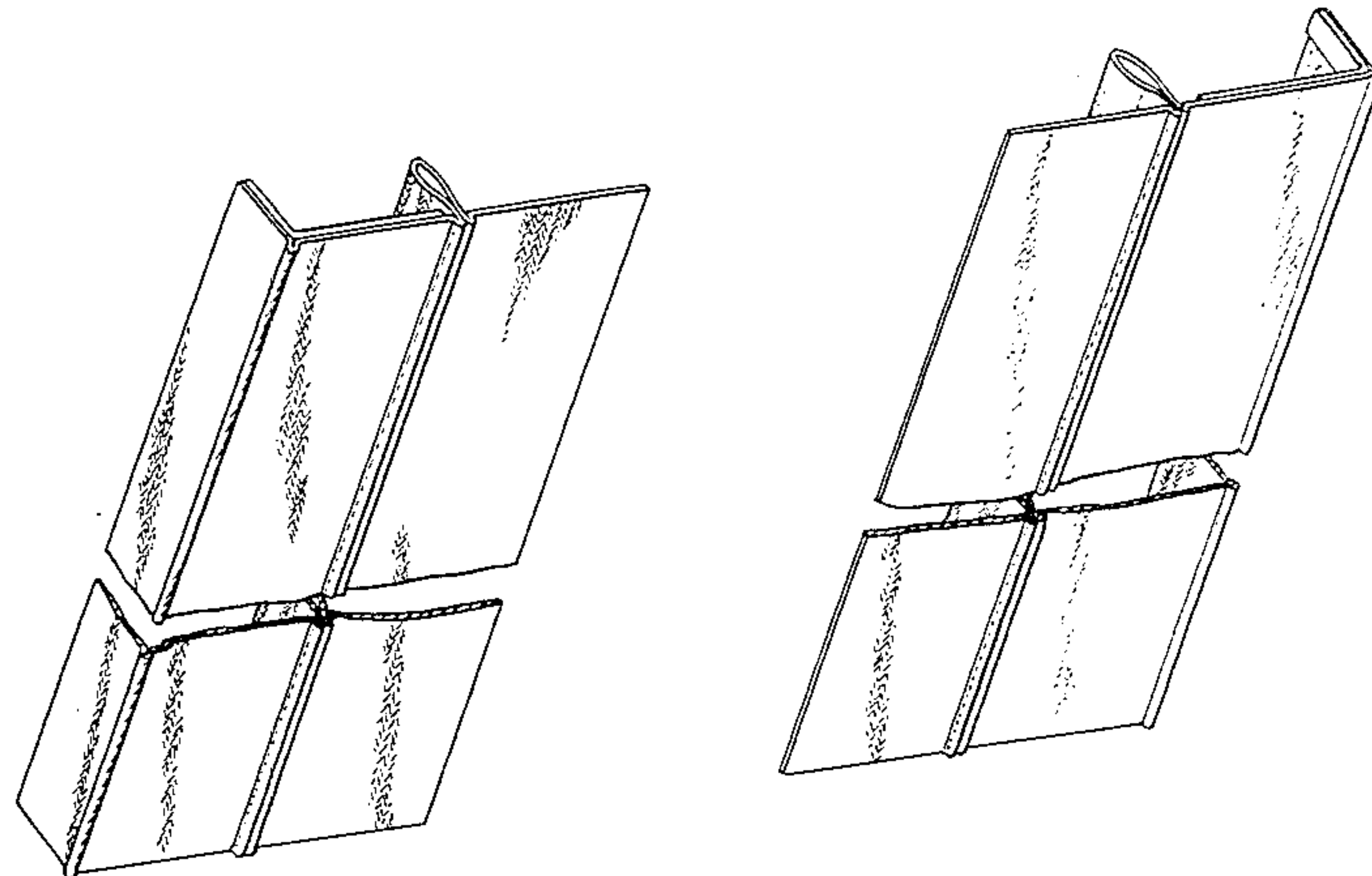
*Primary Examiner*—Bernard Ansher  
*Assistant Examiner*—Theodore M. Shooman  
*Attorney, Agent, or Firm*—Mason, Fenwick & Lawrence

### [57] CLAIM

The ornamental design for a drapery module unit for doors, windows, and the like, as shown and described.

### DESCRIPTION

FIG. 1 is a front perspective view of a drapery module unit for doors, windows, and the like showing my new design, wherein the drapery module unit is fragmentally shown and broken away to show indeterminate length and illustrated in an extended condition; FIG. 2 is a rear elevation view thereof, showing a portion of the same for compactness of illustration; and FIG. 3 is a top plan view of FIG. 2.



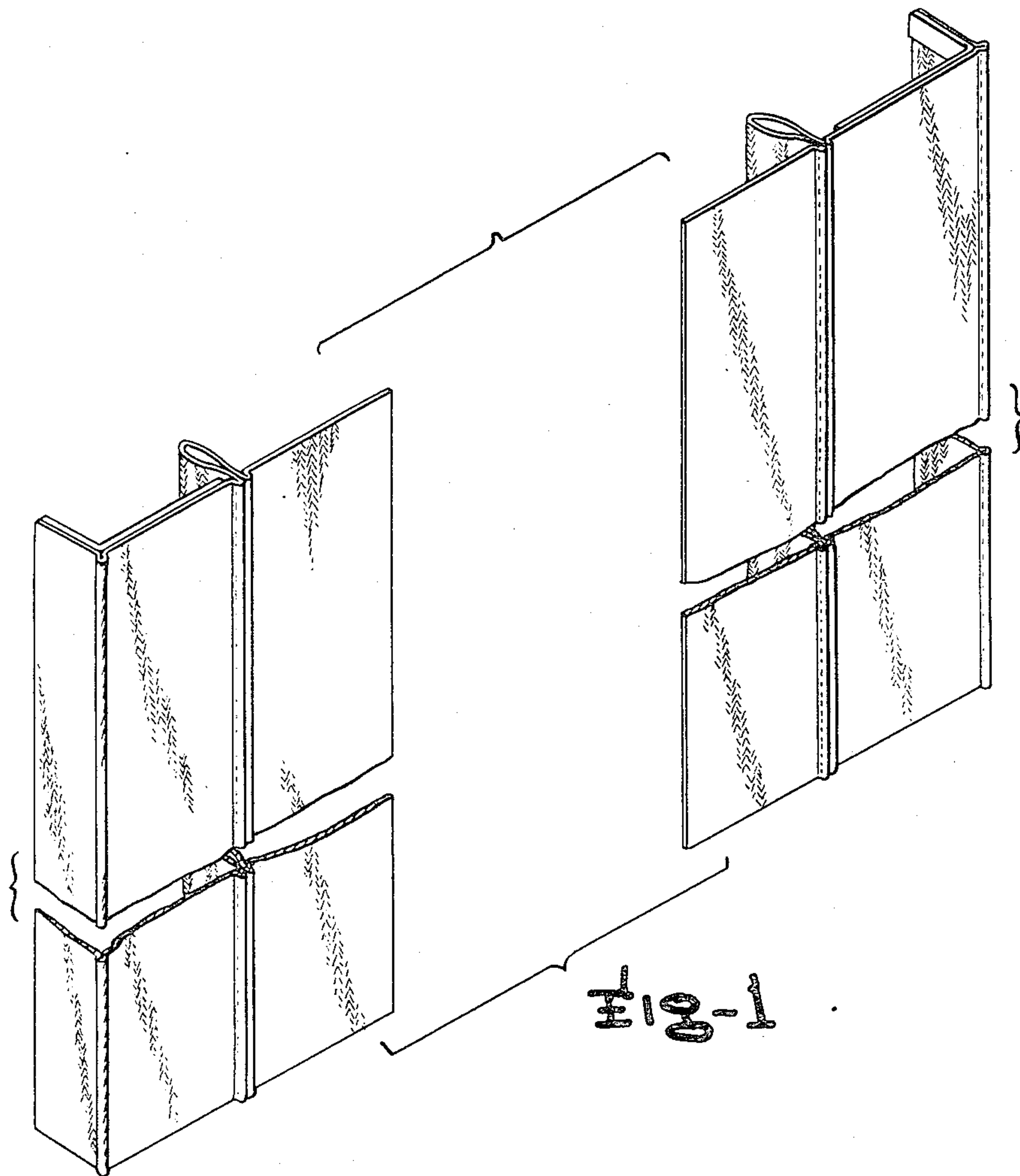


Fig-1

Fig-2

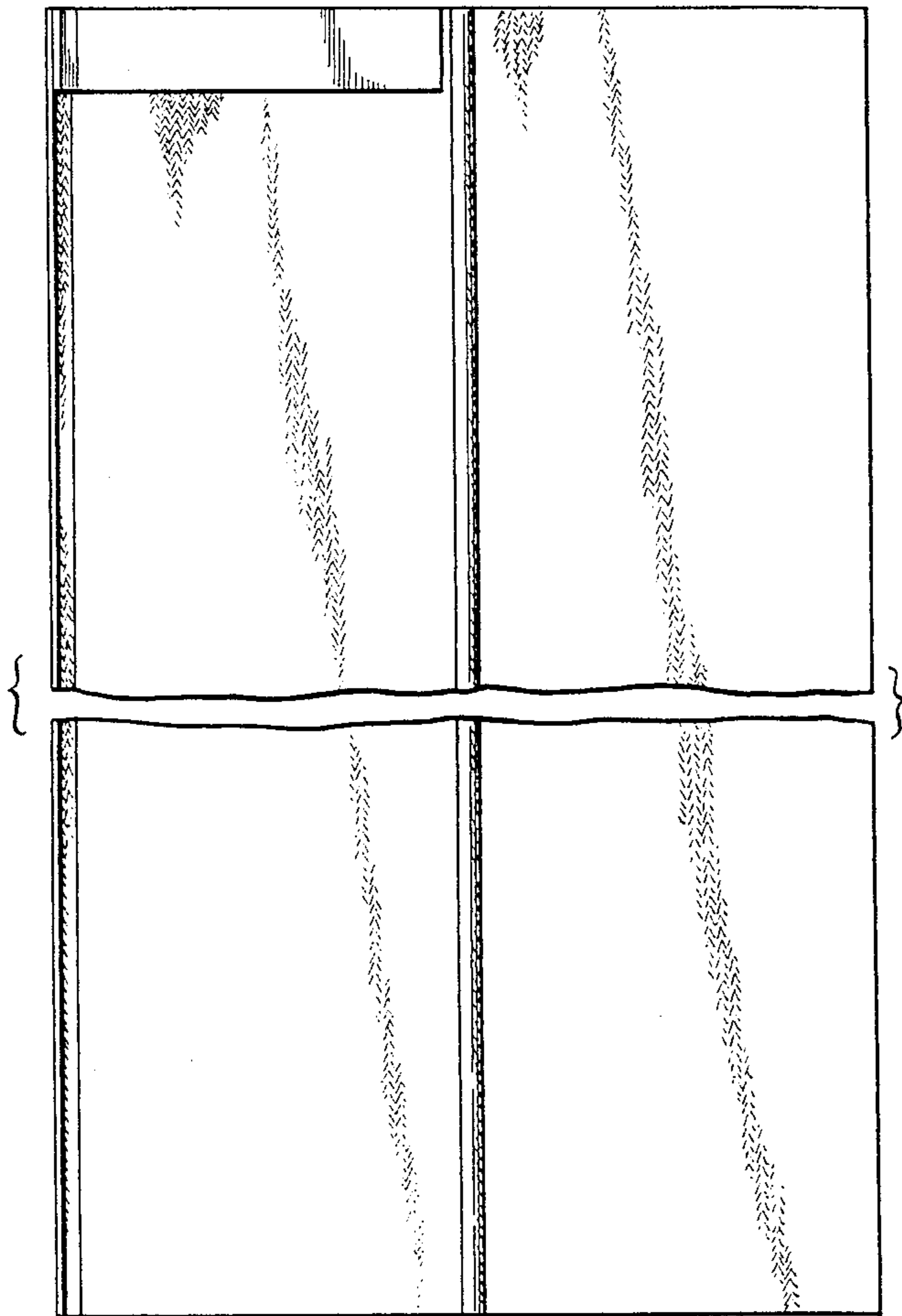


Fig-3

