

United States Patent [19]

Murphy, Jr.

[11] Patent Number: **Des. 280,789**

[45] Date of Patent: **** Oct. 1, 1985**

[54] TABLE

[76] Inventor: **Edwin R. Murphy, Jr., 317 Meyers Dr., Greenville, S.C. 29605**

[**] Term: **14 Years**

[21] Appl. No.: **431,809**

[22] Filed: **Sep. 30, 1982**

[52] U.S. Cl. **D6/455; D6/480; D6/486**

[58] Field of Search **D6/20, 23, 25, 27, 29, D6/146-150, 175, 177-179, 188**

[56] References Cited

U.S. PATENT DOCUMENTS

D. 218,672 9/1970 Neumann D6/147
D. 233,104 10/1974 Zagaroli D6/177 X
D. 250,684 1/1979 Van Sant D6/146
D. 256,413 8/1980 Barnes D6/177

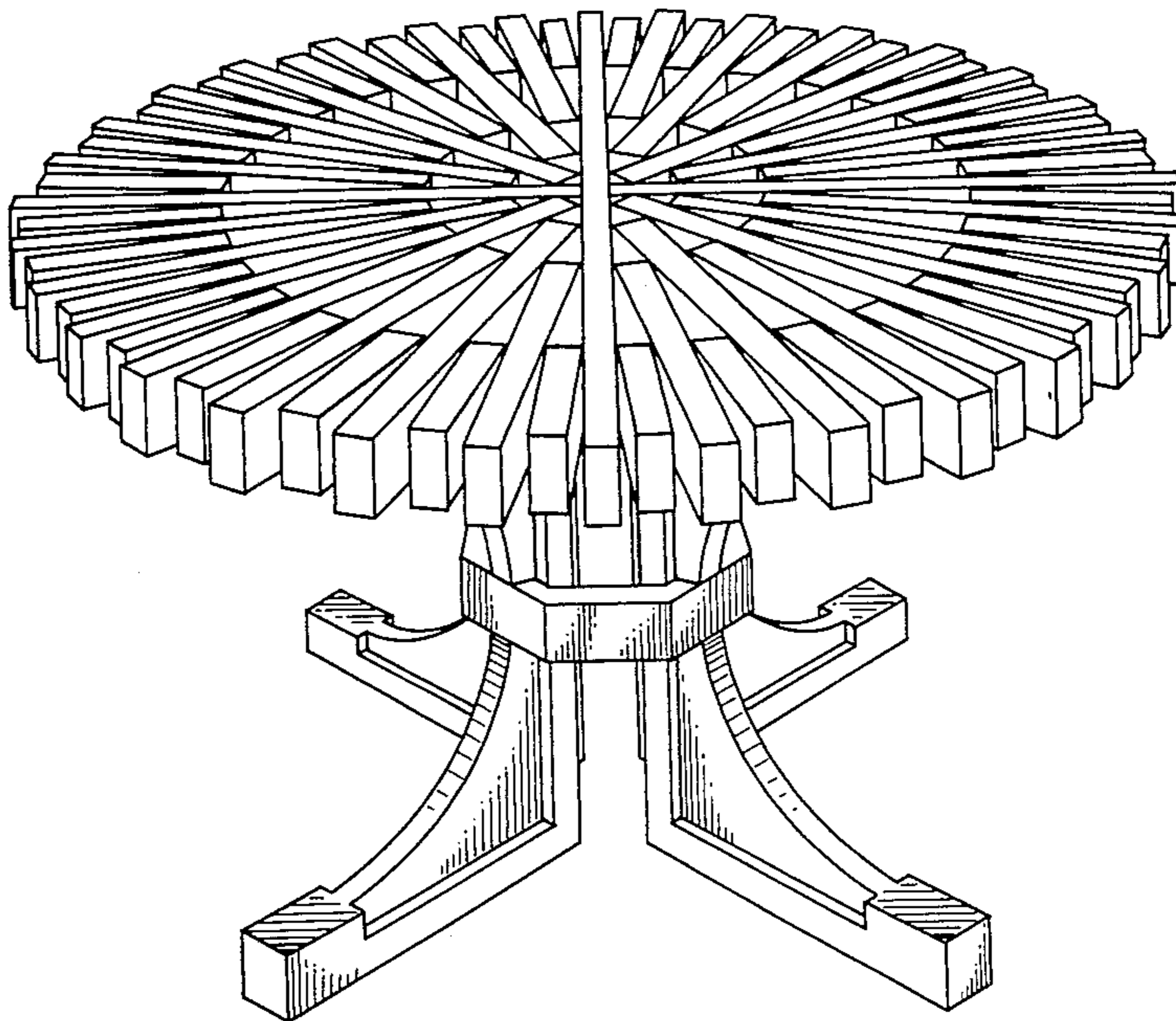
Primary Examiner—Bruce W. Dunkins
Attorney, Agent, or Firm—Melvin L. Crane

[57] CLAIM

The ornamental design for a table, as shown.

DESCRIPTION

FIG. 1 is a top plan view of a table showing my design;
FIG. 2 is a side elevational view;
FIG. 3 is a bottom plan view;
FIG. 4 is a side elevational view of the table rotated 45° with respect to FIG. 2; and
FIG. 5 is a perspective view thereof.



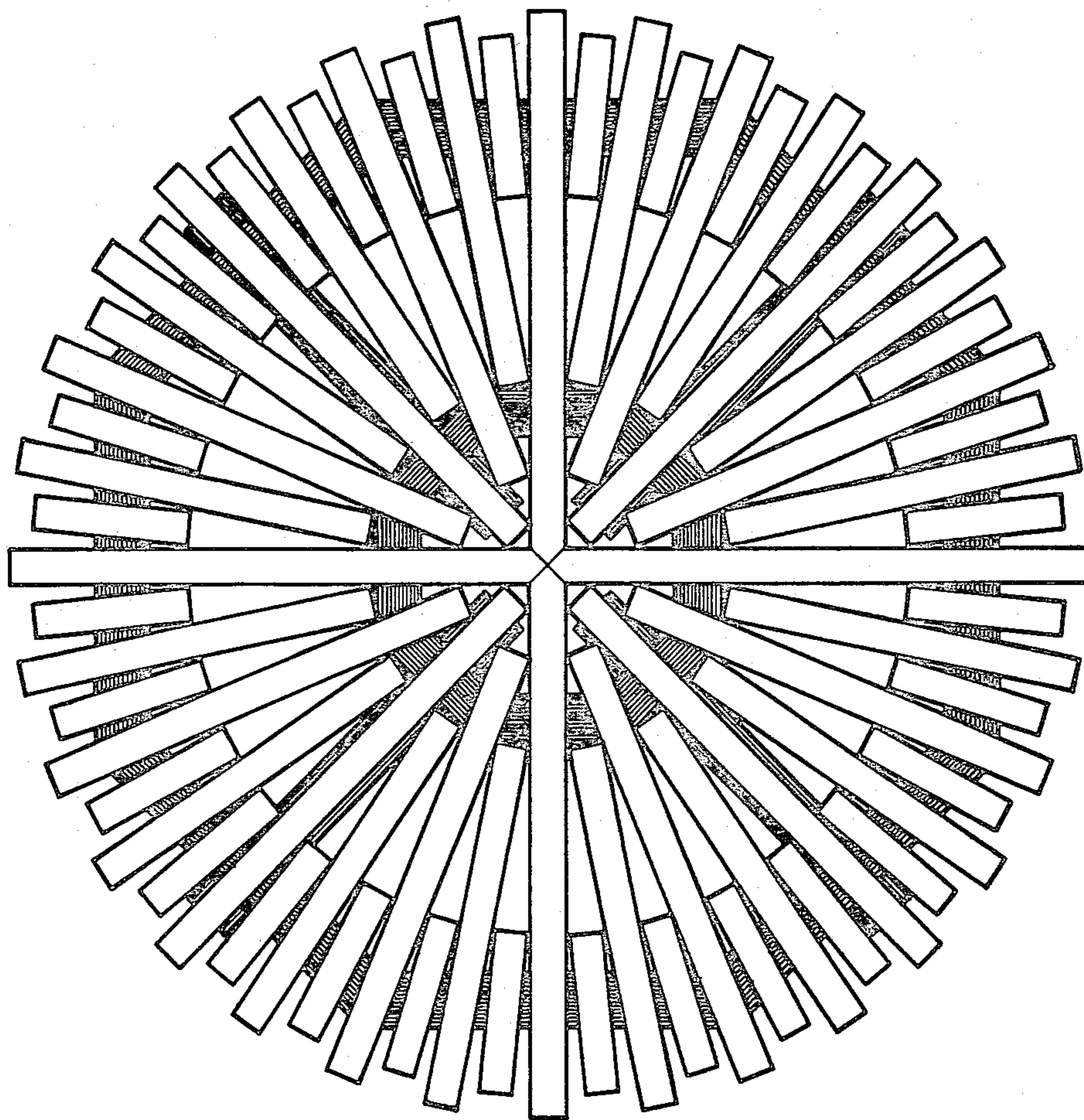


FIGURE 1

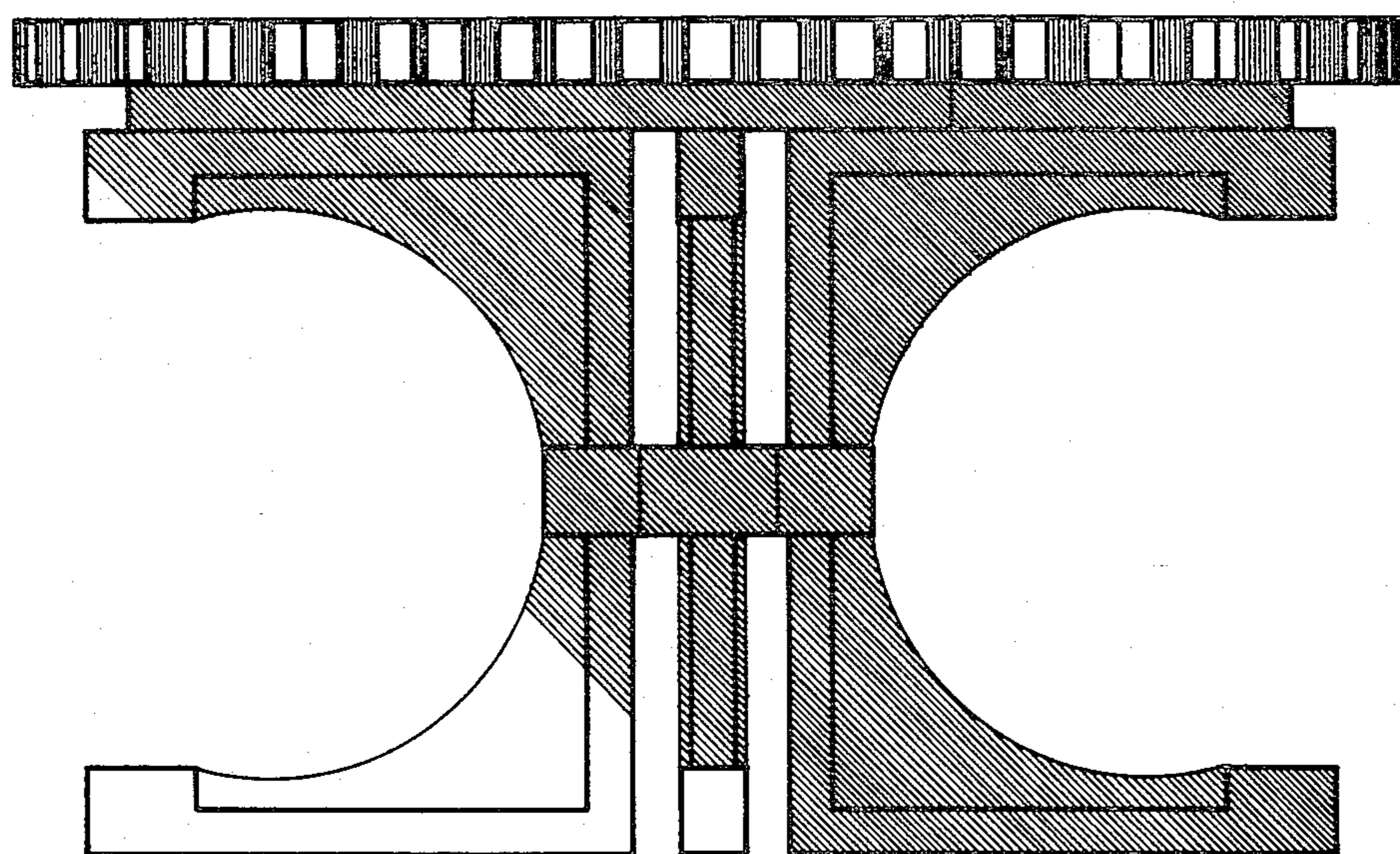


FIGURE 2

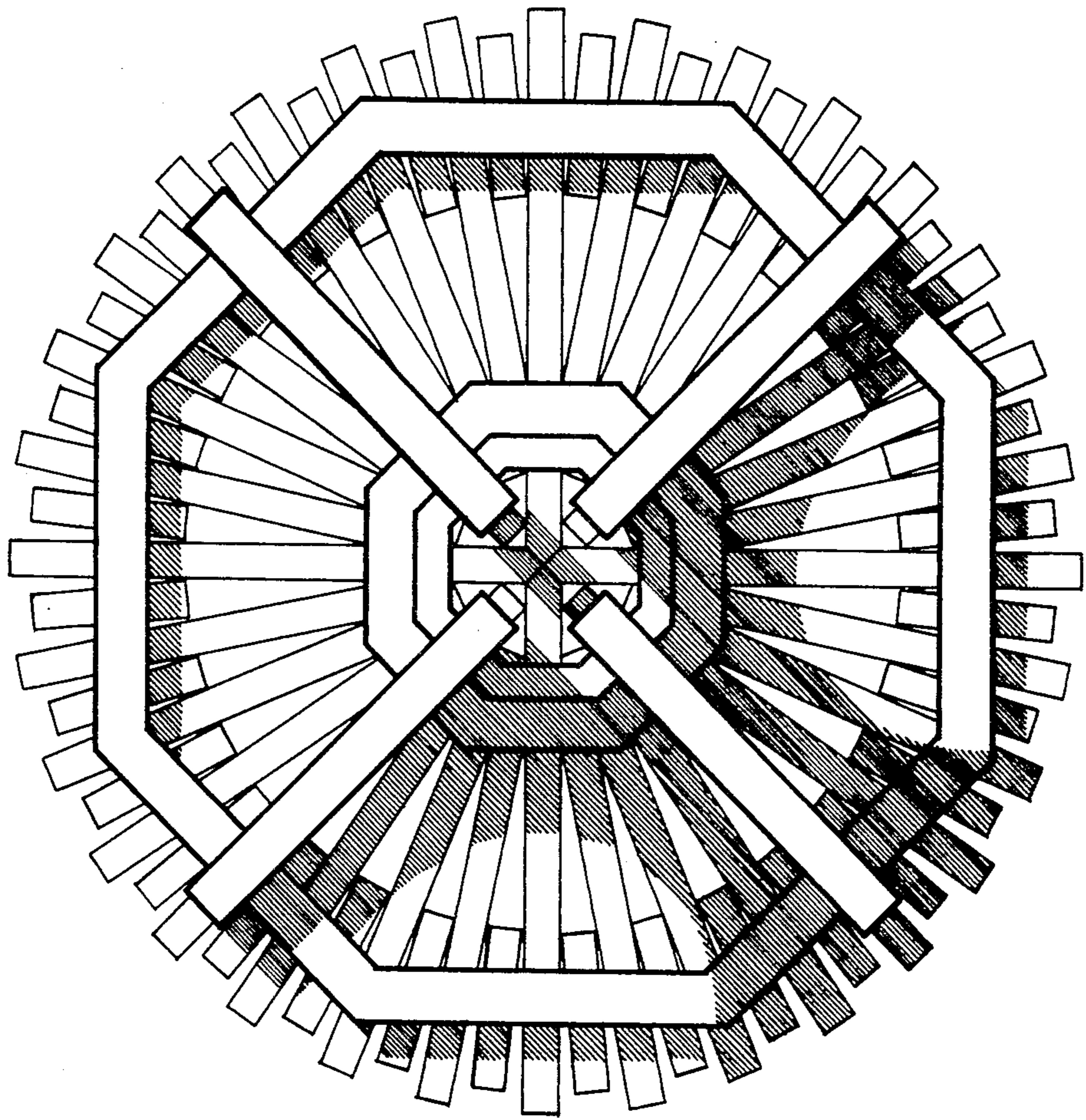


FIGURE 3

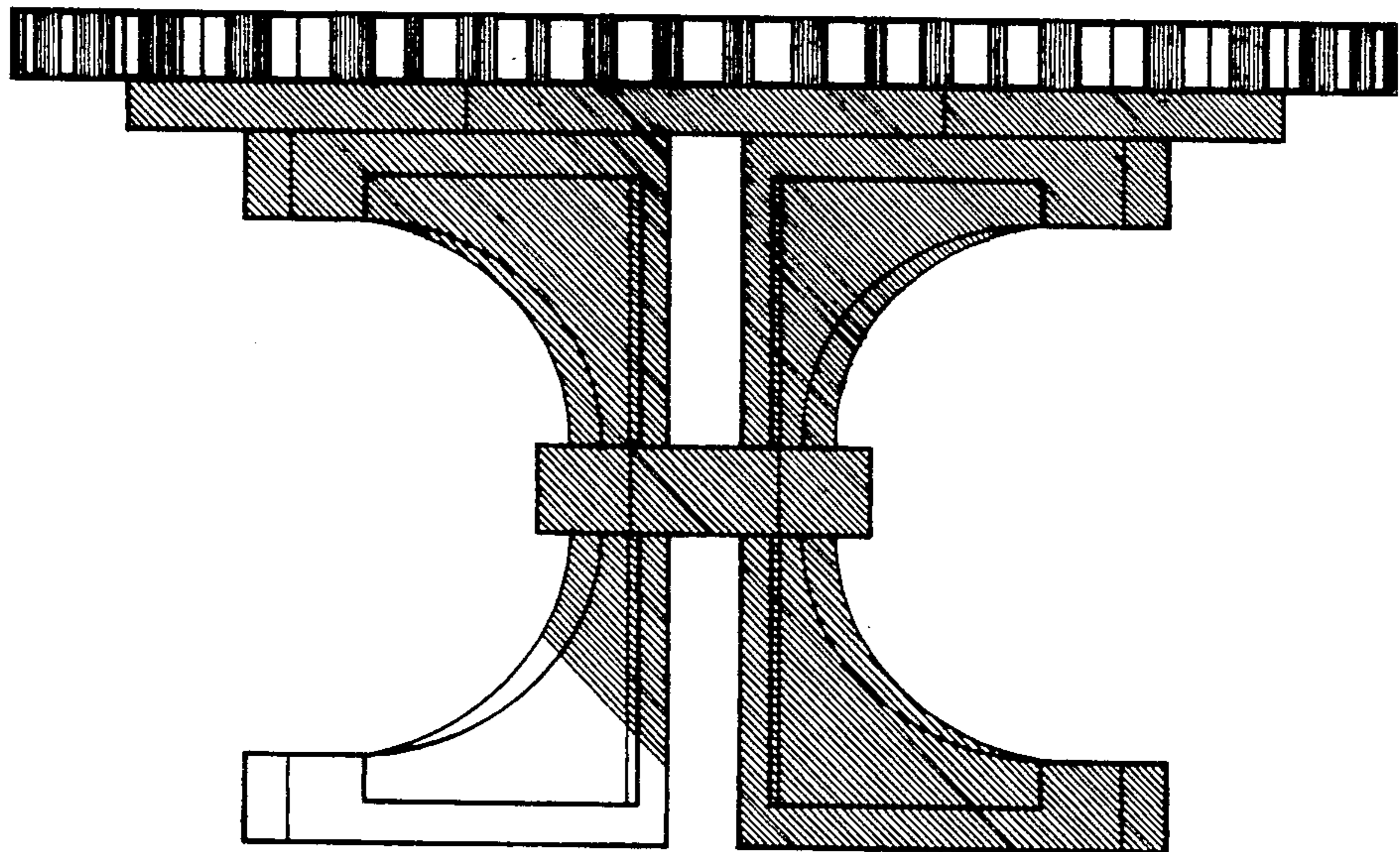


FIGURE 4

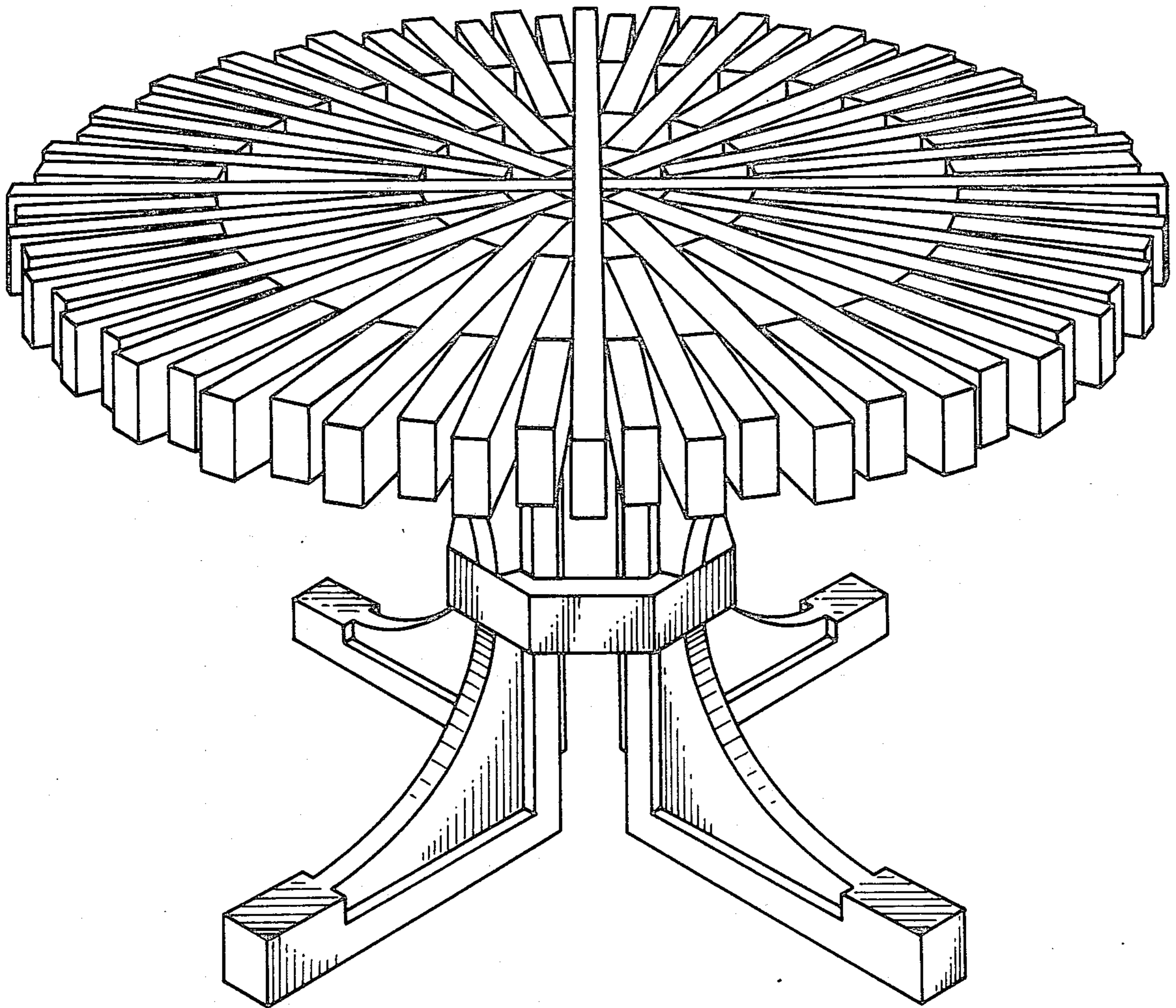


FIGURE 5