

[54] COMBINED ACCESSORY TRAY AND BOOK SUPPORT FOR USE IN BATH TUBS, BEDS OR THE LIKE

[76] Inventor: Gus Levin, #302B, 4515 N. Braeswood, Houston, Tex. 77035

[**] Term: 14 Years

[21] Appl. No.: 517,501

[22] Filed: Jul. 25, 1983

[52] U.S. Cl. D6/406; D6/525

[58] Field of Search D6/407, 410, 411, 412, D6/458, 460, 462, 464, 475, 510, 512-514, 526, 531, 535, 546, 548-550, 552-554, 563, 566-572, 406, 525, 574; D8/373, 380, 356, 354, 376; 211/13, 55, 70.5, 86, 87, 106, 181; 248/75, 89, 90, 219, 220.2-220.3, 289, 300, 302-303, 309.1, 311.2, 312.1, 313, 315, 316.1, 316.7, 444, 447.1, 455, 456, 465.1

[56] References Cited U.S. PATENT DOCUMENTS

D. 138,352 7/1944 Morando D6/406

D. 247,013	1/1978	Chapman	D6/566
D. 250,439	12/1978	Holstein	D6/525
D. 264,158	5/1982	Thompson	D6/525
D. 274,488	7/1984	Howitt	D6/406
887,152	5/1908	Timberlake	248/455
1,002,147	8/1911	Harris	248/455
4,311,099	1/1982	Roberts	D6/406

Primary Examiner—B. J. Bullock
Assistant Examiner—Suzanne N. Gitlin
Attorney, Agent, or Firm—Mason, Fenwick & Lawrence

[57] CLAIM

The ornamental design for a combined accessory tray and book support for use in bath tubs, beds or the like, substantially as shown and described.

DESCRIPTION

FIG. 1 is a reduced front and top perspective view of a combined accessory tray and book support for use in bath tubs, beds or the like showing my new design; FIG. 2 is a side elevational view thereof, the opposite side being a mirror image; FIG. 3 is a rear elevational view thereof; FIG. 4 is a top plan view thereof; FIG. 5 is a bottom plan view thereof.

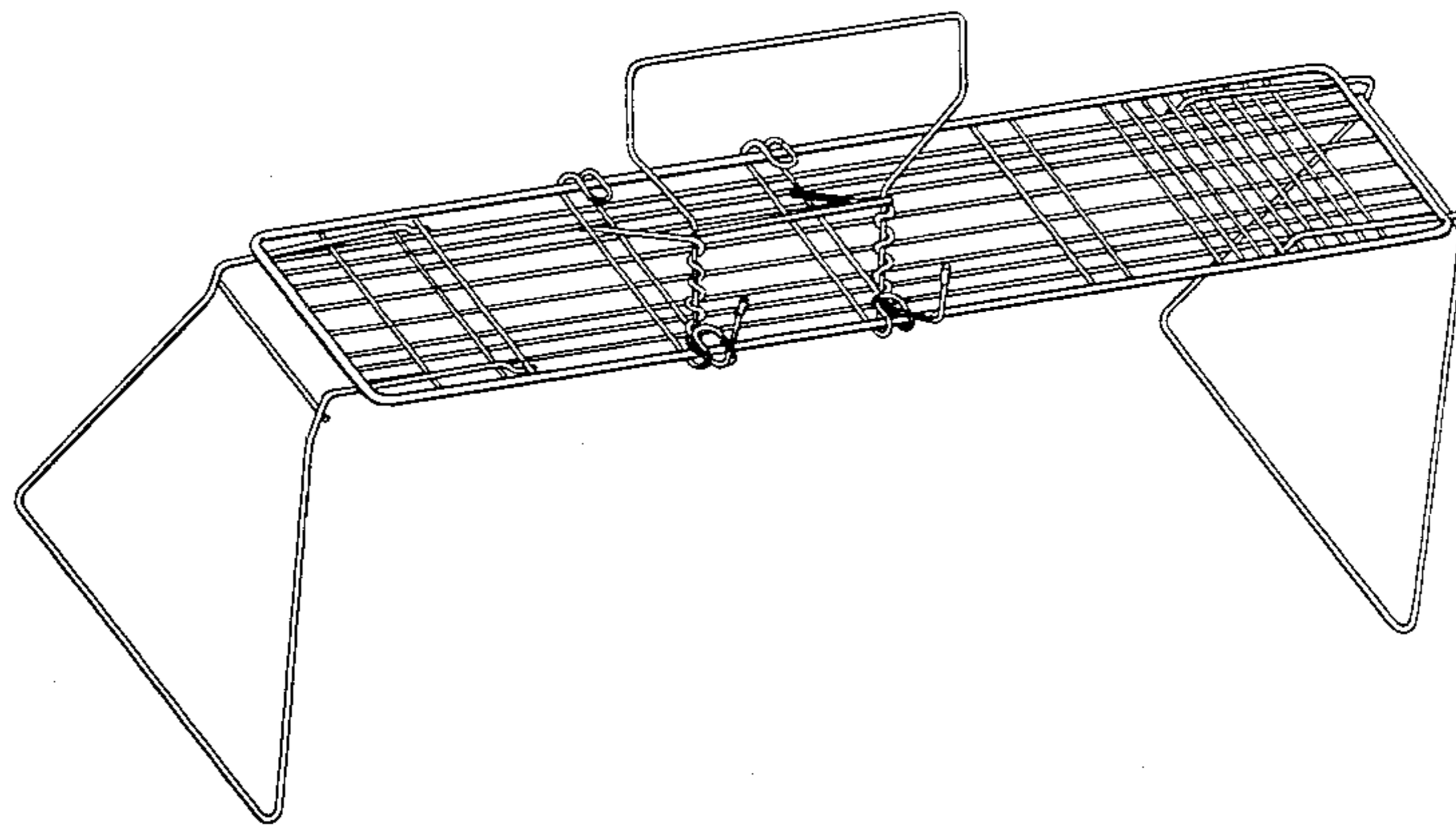


Fig. 1

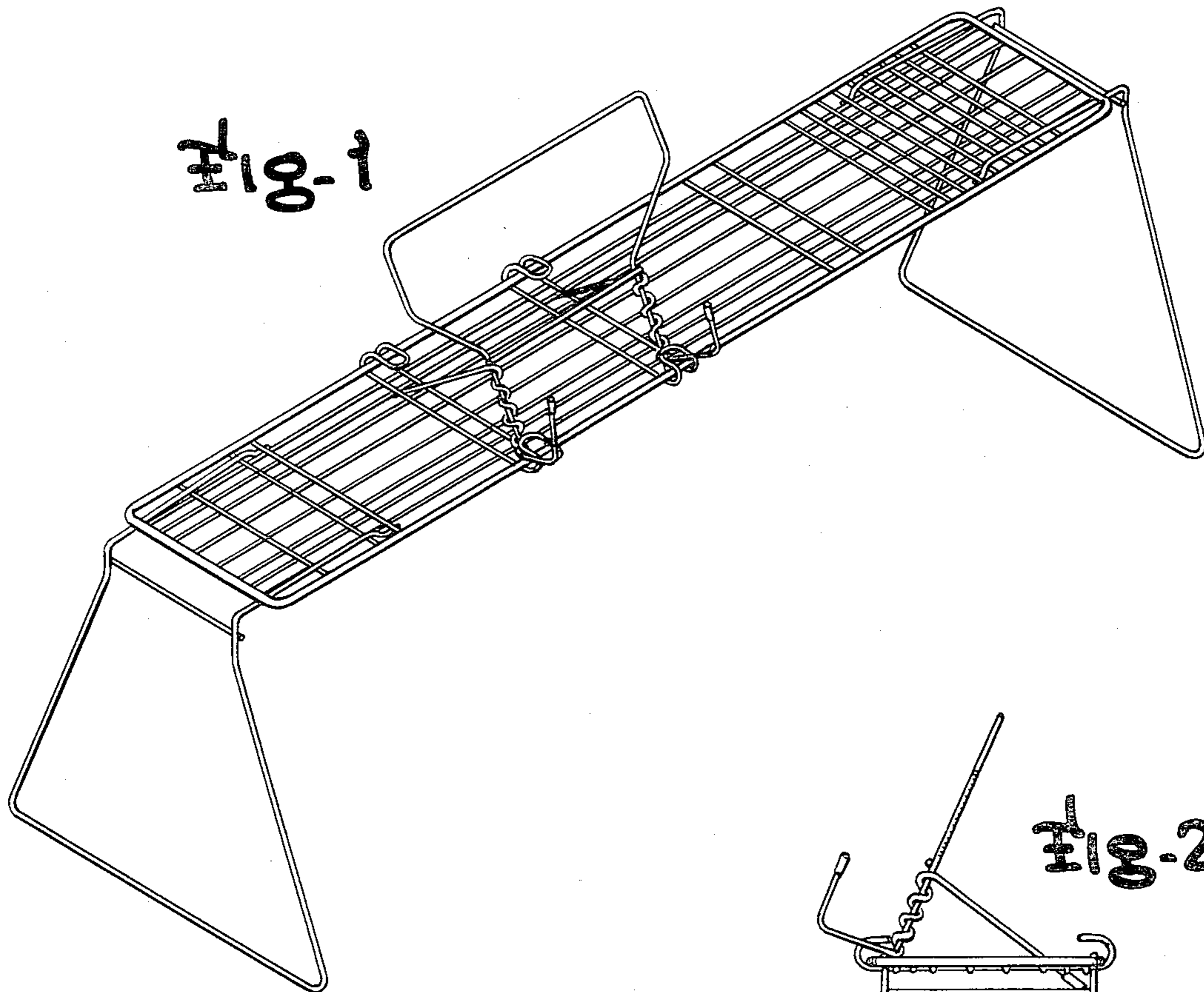


Fig. 2

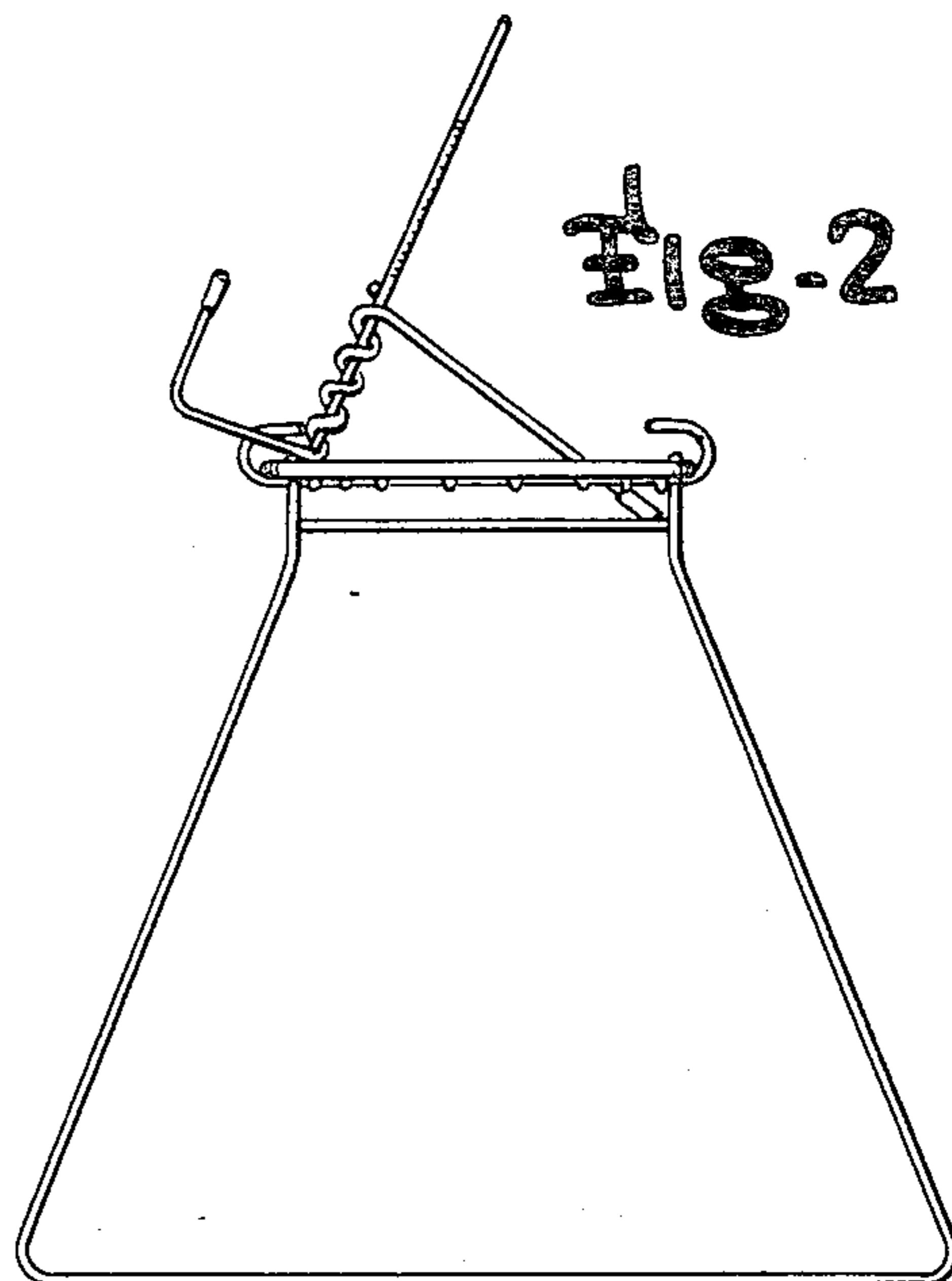


Fig. 3

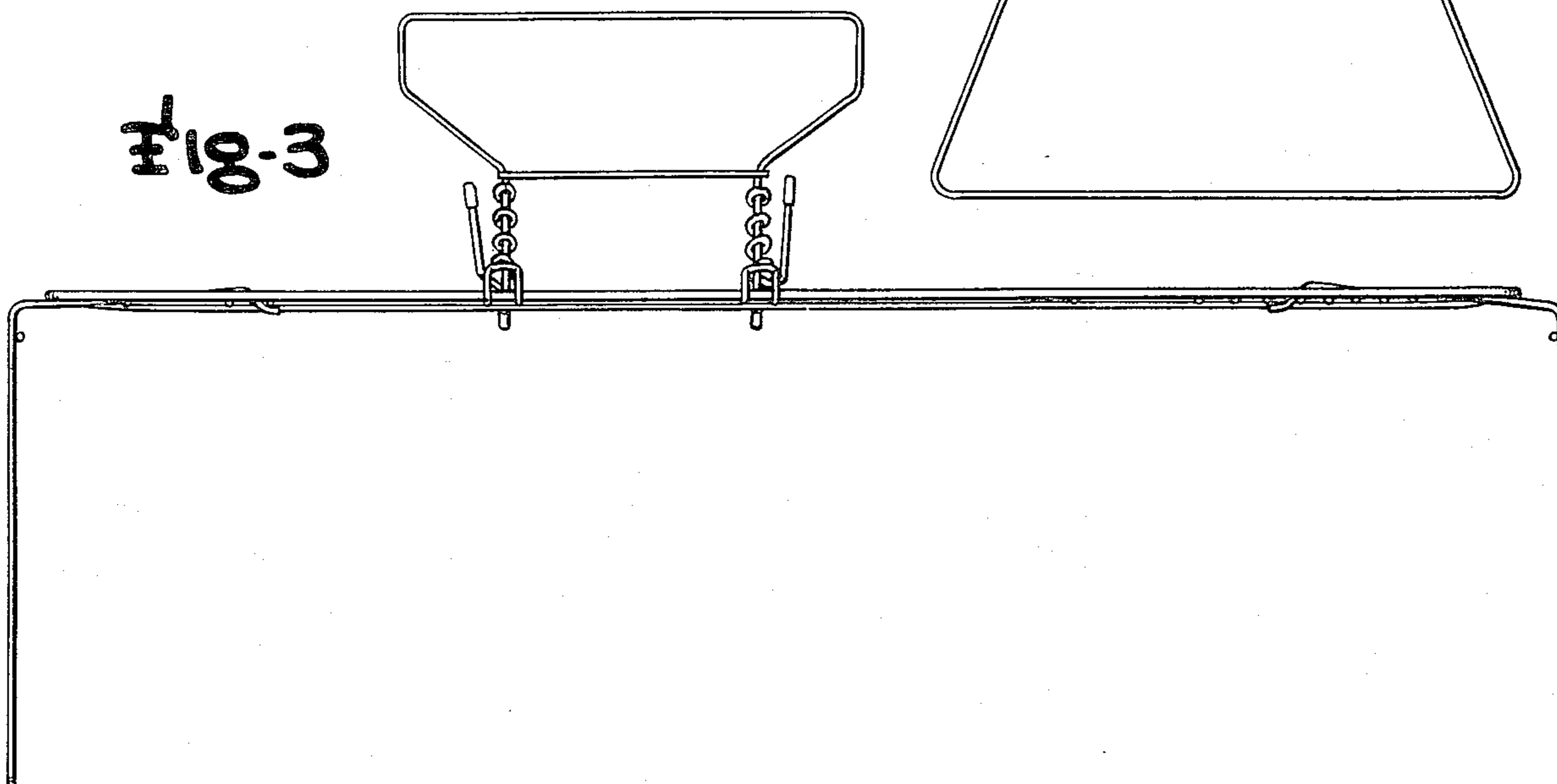


Fig-4

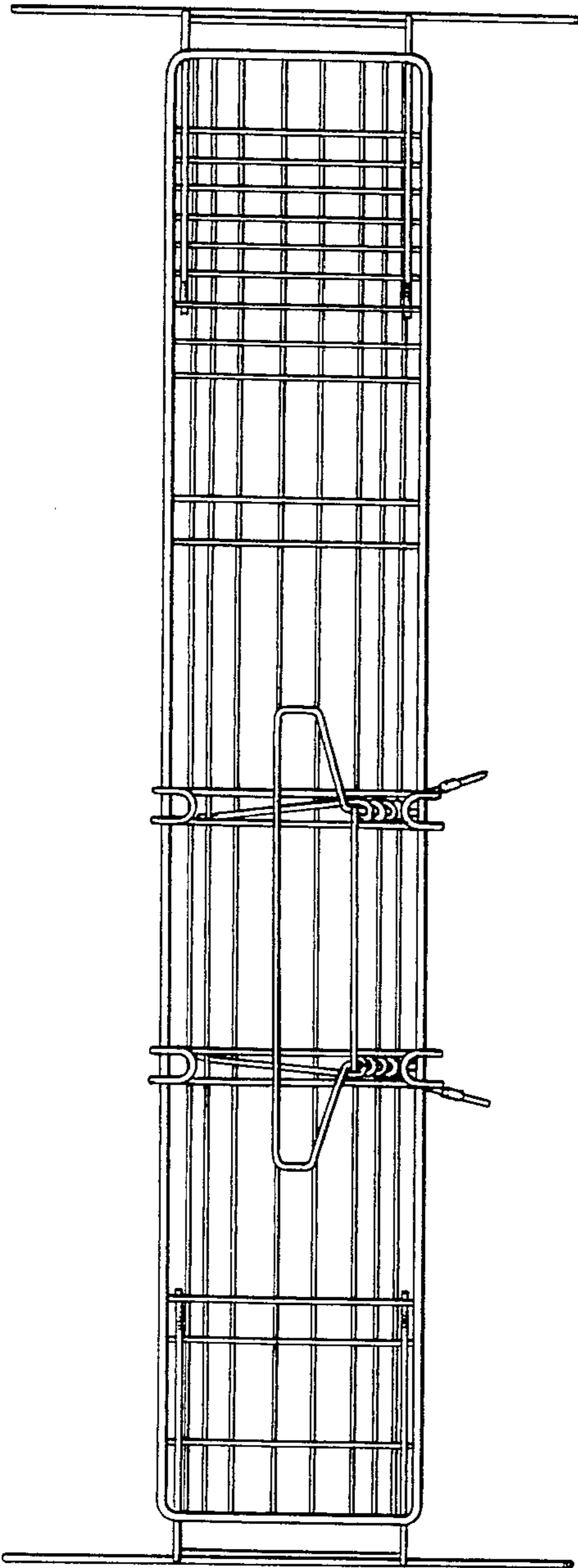


Fig-5

