

United States Patent [19]

Benedict

[11] Patent Number: **Des. 280,785**

[45] Date of Patent: **** Oct. 1, 1985**

[54] **EXTENDABLE TIE RACK HOUSING WITH COVER**

[75] Inventor: **Charles E. Benedict, Tallahassee, Fla.**

[73] Assignee: **Telescoping Tie Racks, Inc., Winter Haven, Fla.**

[**] Term: **14 Years**

[21] Appl. No.: **660,164**

[22] Filed: **Oct. 12, 1984**

Related U.S. Application Data

[63] Continuation-in-part of Ser. No. 453,053, Dec. 27, 1982, Pat. No. Des. 277,436.

[52] U.S. Cl. **D6/324; D6/315**

[58] Field of Search **D6/320, 324, 328, 315; 211/94, 105.3, 119, 181**

[56] References Cited

U.S. PATENT DOCUMENTS

1,415,316 5/1922 Corbin 211/94

2,917,185	12/1959	Kovacs	211/94
2,985,311	5/1961	Abel	211/94
3,116,837	1/1964	Kelly	211/94
3,124,253	3/1964	Petrich	211/94
3,335,872	8/1967	Dodich	211/94
3,389,807	6/1968	Manning et al.	211/94
3,897,122	7/1975	McEvers	211/94

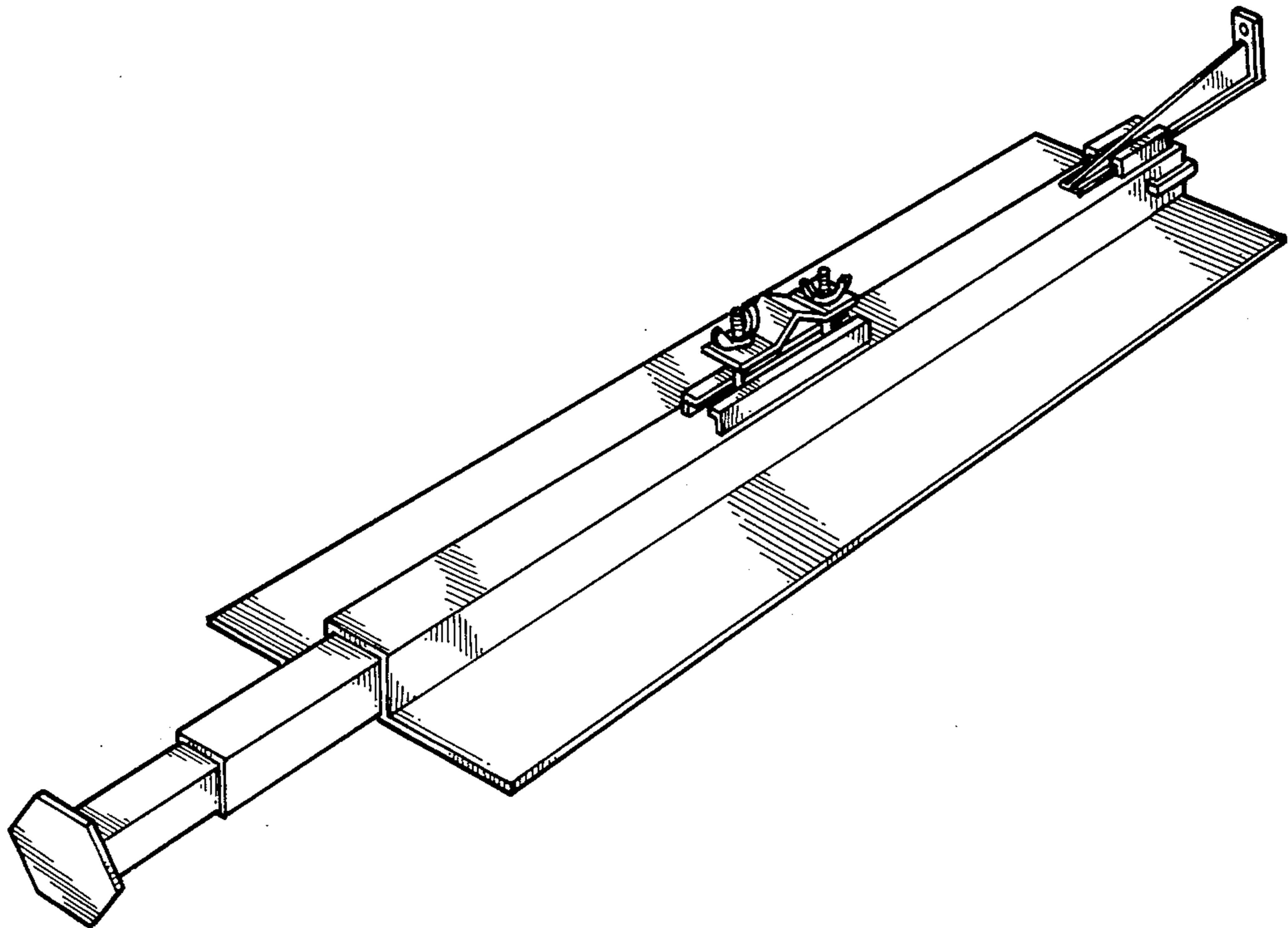
Primary Examiner—**B. J. Bullock**
Attorney, Agent, or Firm—**Dowell & Dowell**

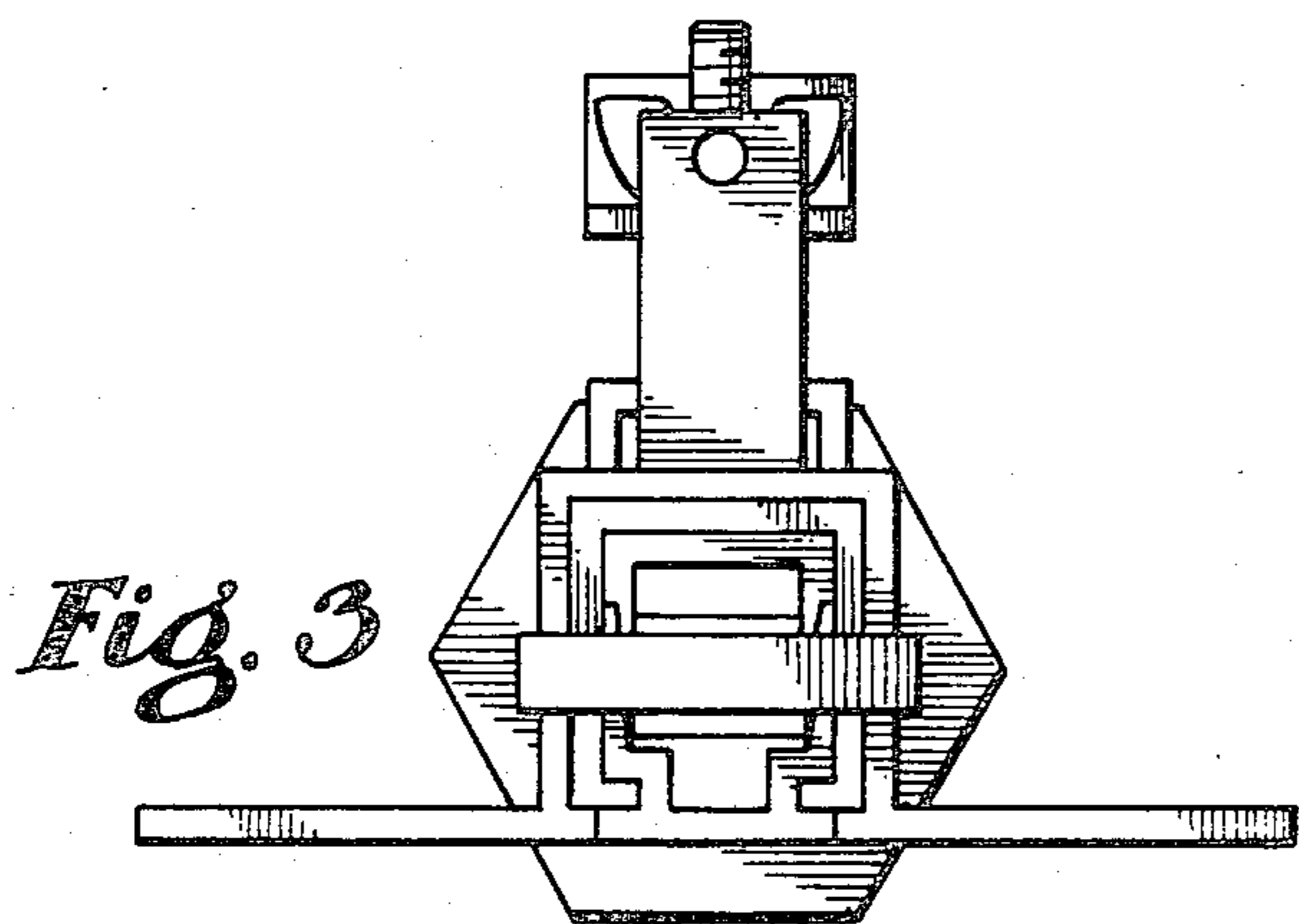
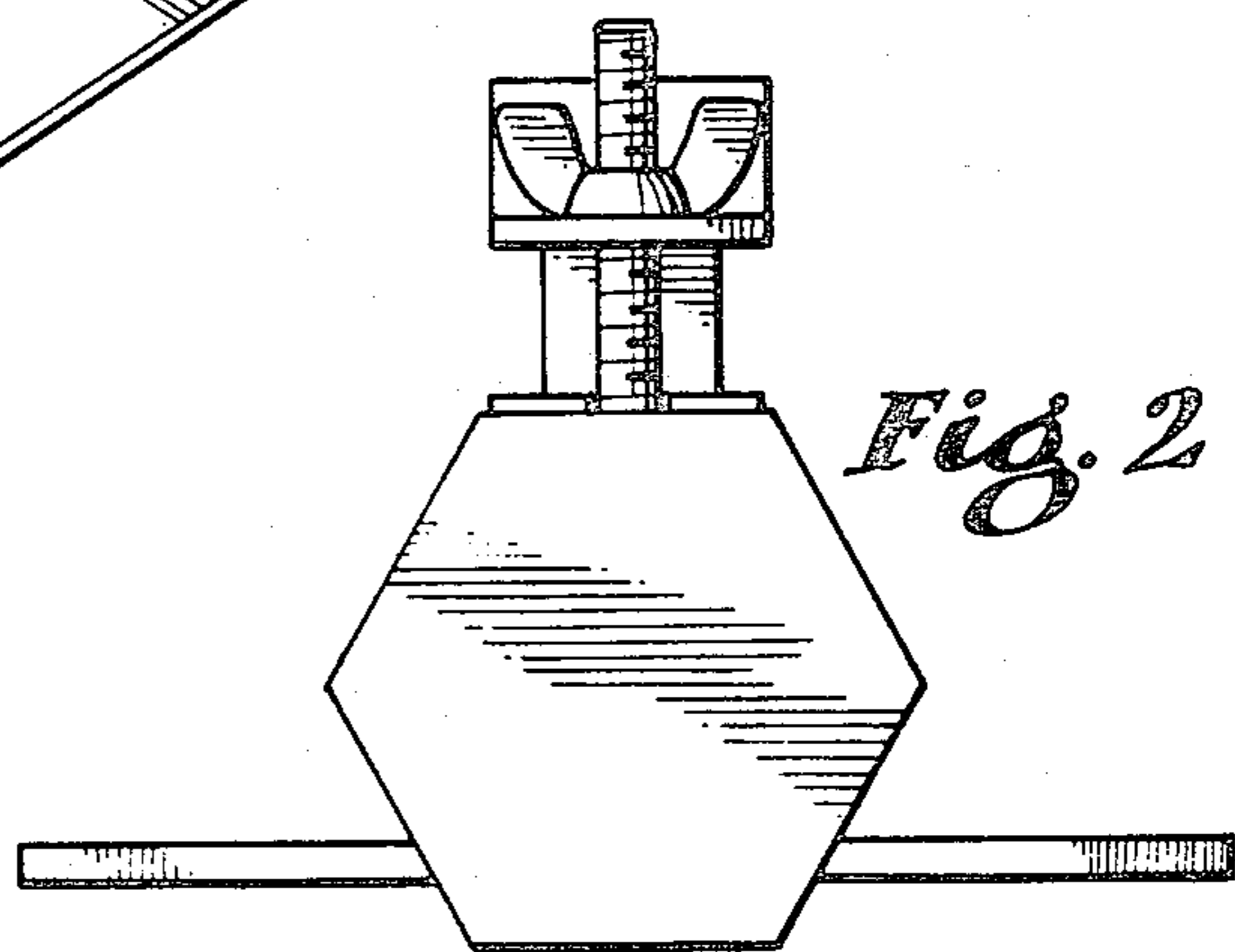
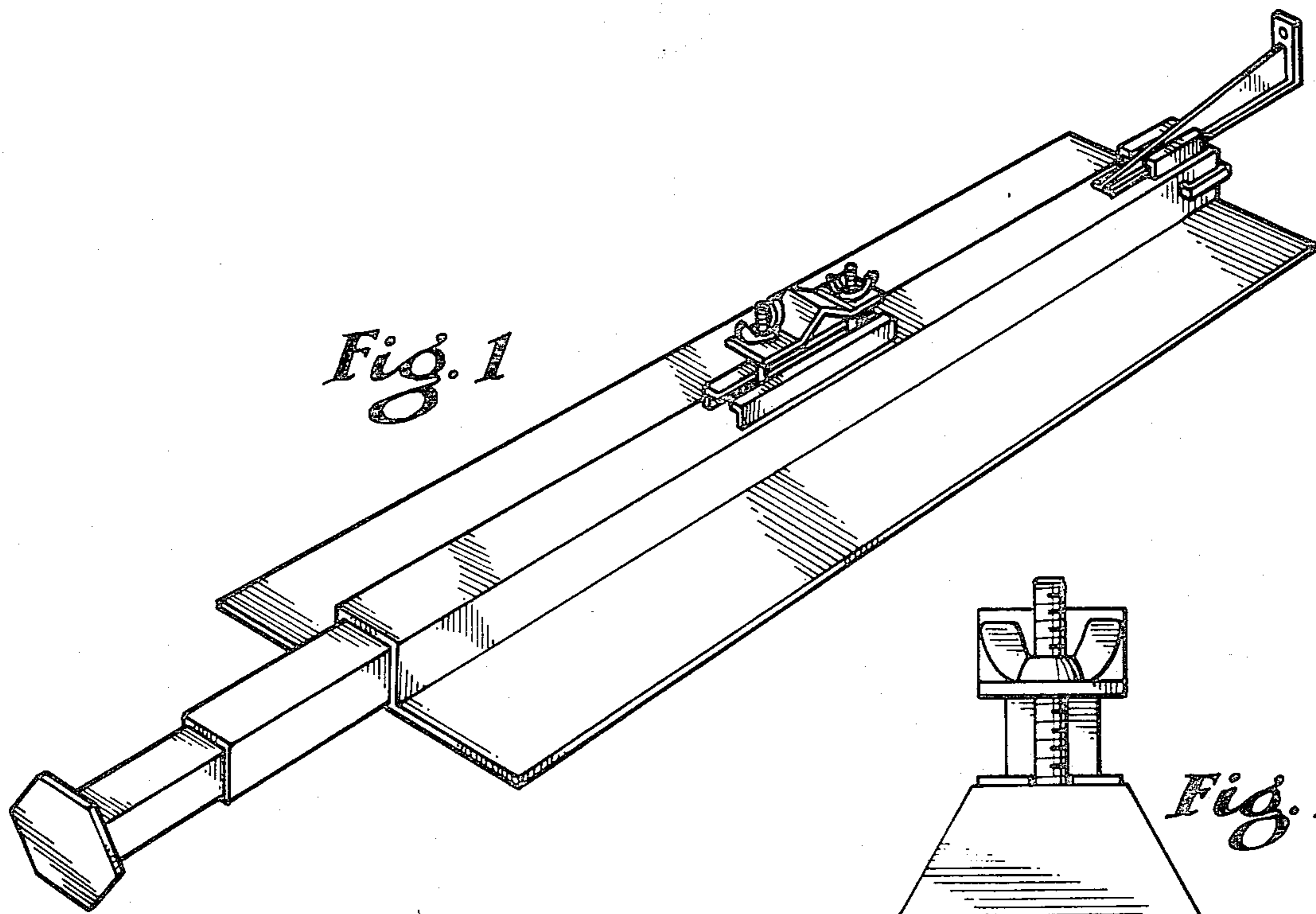
[57] CLAIM

The ornamental design for an extendable tie rack housing with cover, as shown.

DESCRIPTION

FIG. 1 is a prospective view of an extendable tie rack housing showing my new design;
FIG. 2 is an enlarged front elevational view thereof;
FIG. 3 is an enlarged rear elevational view thereof;
FIG. 4 is a bottom plan view thereof;
FIG. 5 is a side elevational view taken from the left of FIG. 1;
FIG. 6 is an enlarged fragmentary perspective view thereof.





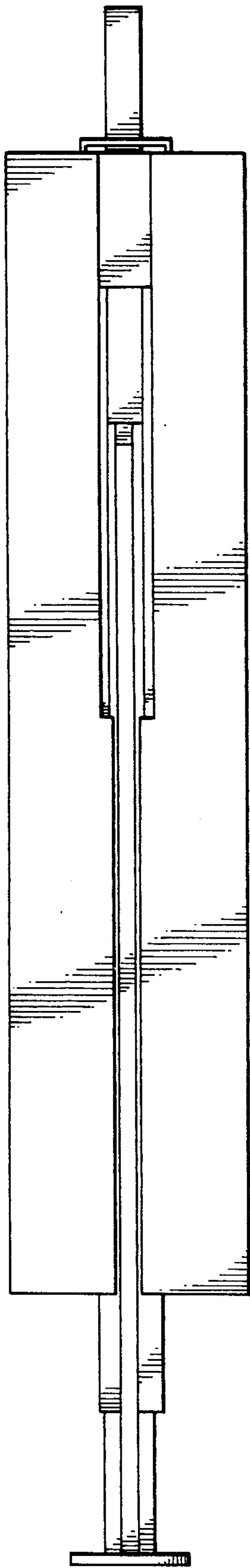


Fig. 4

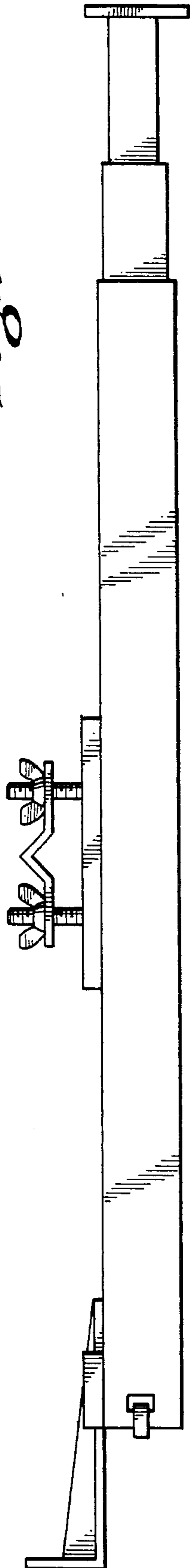


Fig. 5

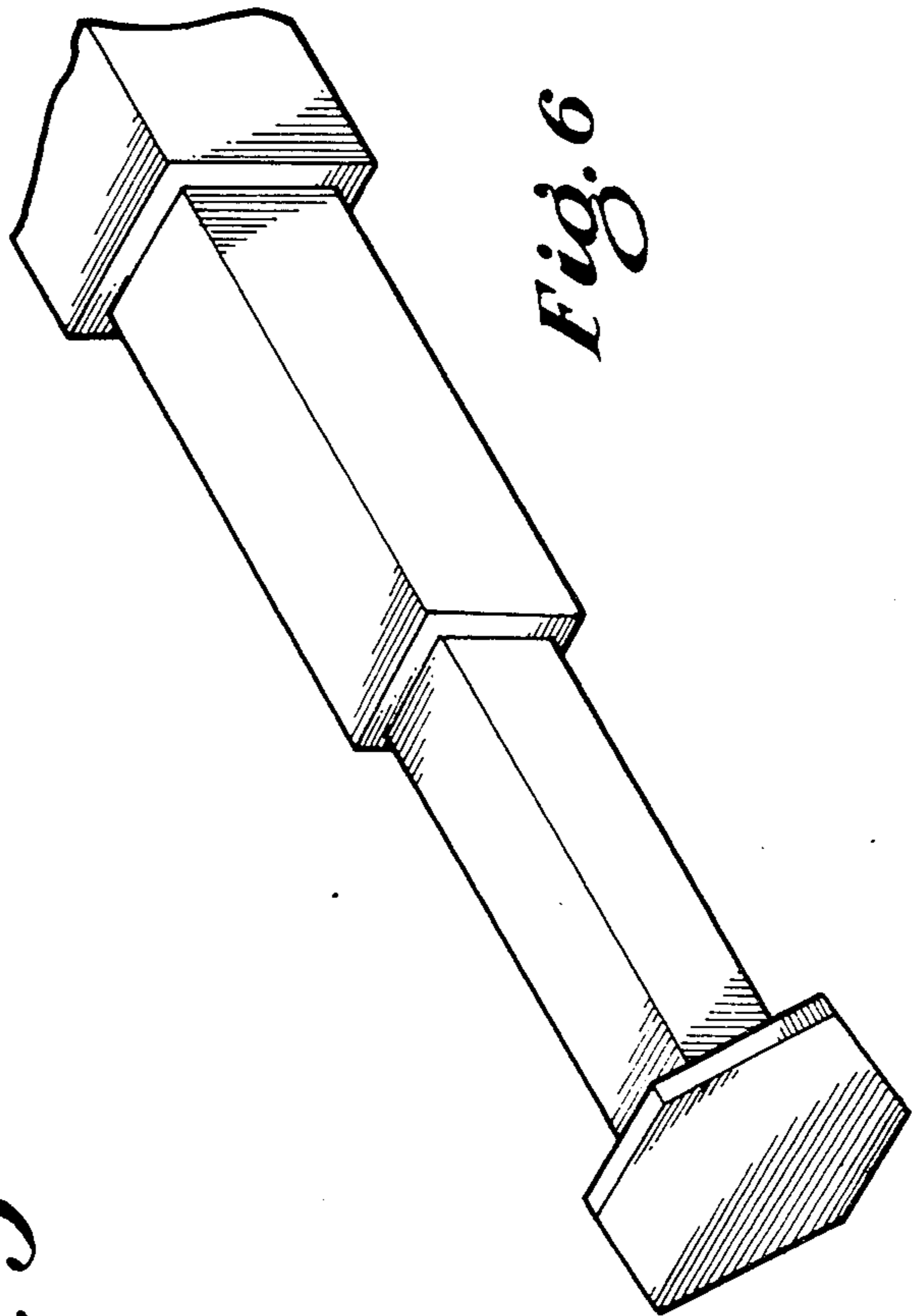


Fig. 6