

United States Patent [19]

Addy, Jr. et al.

[11] Patent Number: **Des. 280,773**

[45] Date of Patent: **** Sep. 24, 1985**

[54] **BOTTLE CARRIER**

[75] Inventors: **James T. Addy, Jr.**, New York;
Alfred V. Mohr, Island Park, both of
N.Y.

[73] Assignee: **Dr. Pepper Company**, Dallas, Tex.

[**] Term: **14 Years**

[21] Appl. No.: **486,973**

[22] Filed: **Apr. 18, 1983**

[52] U.S. Cl. **D34/44; D9/345;**
D9/455; D34/45

[58] Field of Search **D9/369, 341, 455, 383,**
D9/345, 337; 220/DIG. 15, 20; 206/203, 162,
169; D34/40, 44, 45; D7/70, 71

[56] **References Cited**

U.S. PATENT DOCUMENTS

D. 192,658 4/1962 Thiery et al. D34/44

D. 195,702 7/1963 Russo 220/DIG. 15
D. 256,434 8/1980 O'Donnal D34/45
D. 259,099 5/1981 Davis D34/44
D. 274,573 7/1984 Torokvei D9/341 X
3,055,542 9/1962 Russo 220/DIG. 15
3,842,976 10/1974 Dea 206/203
4,204,596 5/1980 Davis 206/162 X

Primary Examiner—Robert C. Spangler
Attorney, Agent, or Firm—Mason, Fenwick & Lawrence

[57] **CLAIM**

The ornamental design for a bottle carrier, substantially as shown.

DESCRIPTION

FIG. 1 is a perspective view of a bottle carrier showing our new design;
FIG. 2 is a top plan view thereof;
FIG. 3 is an end elevation view thereof;
FIG. 4 is a front elevation view thereof; and
FIG. 5 is a bottom plan view thereof.

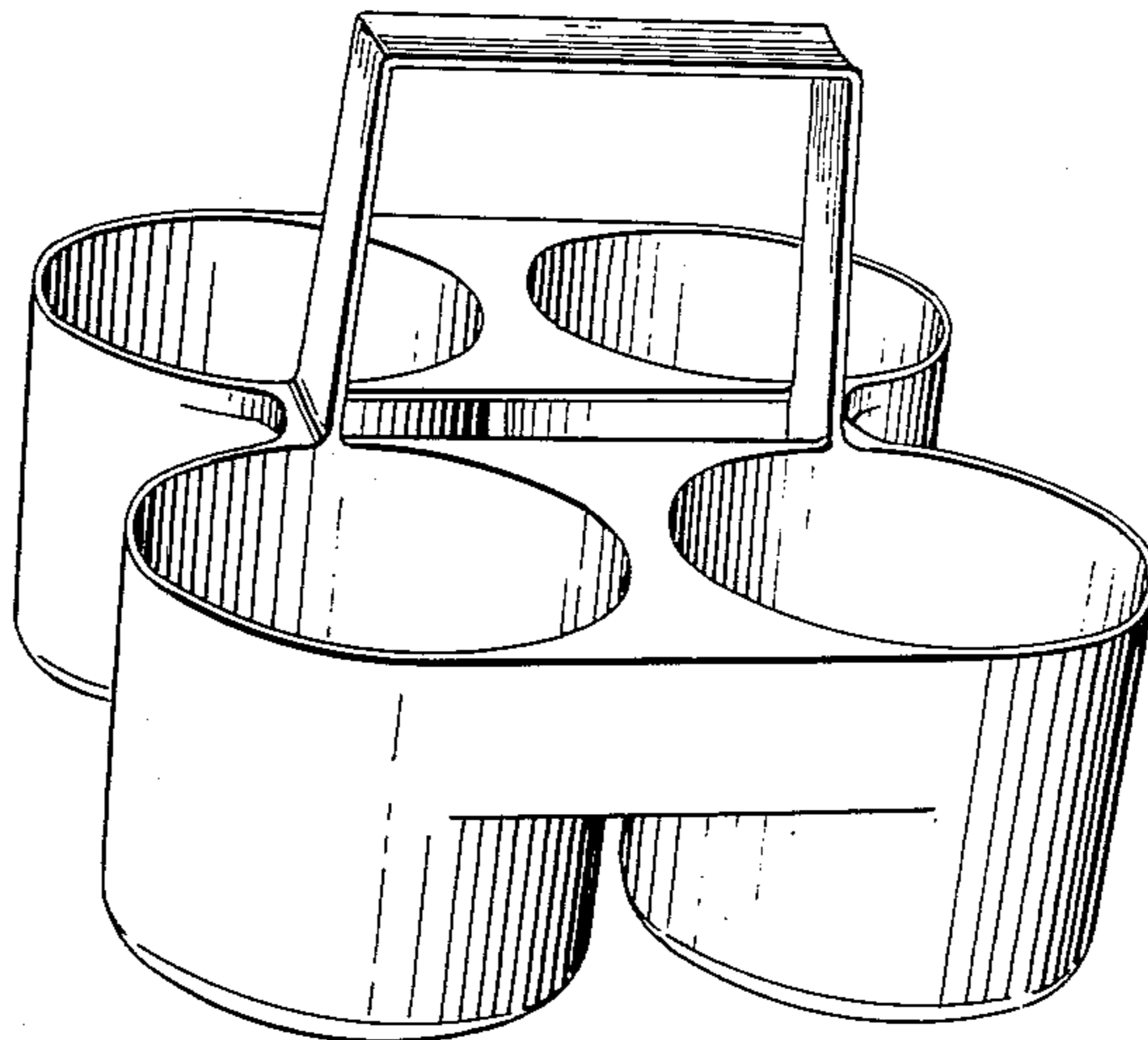


Fig-1

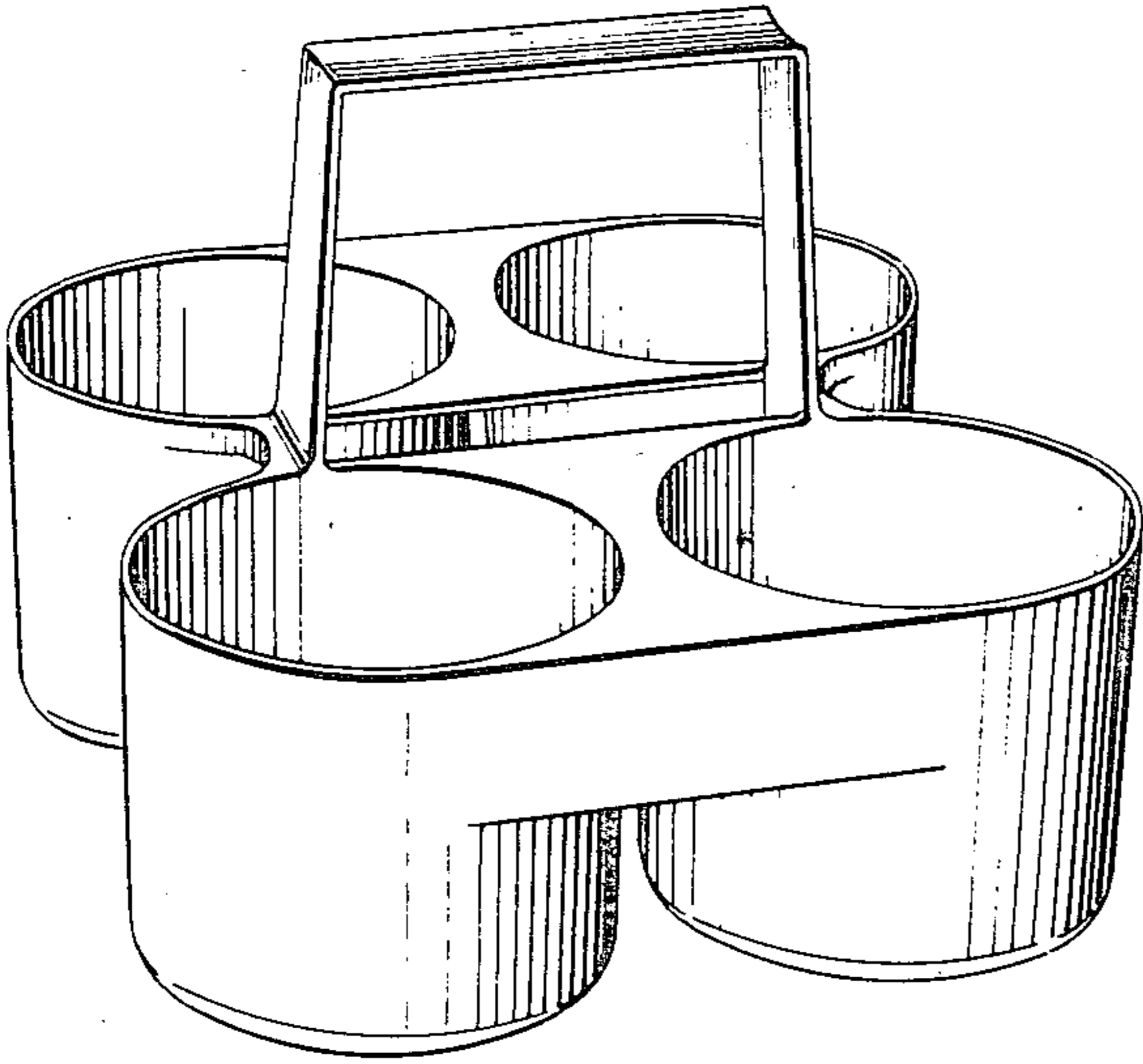


Fig-2

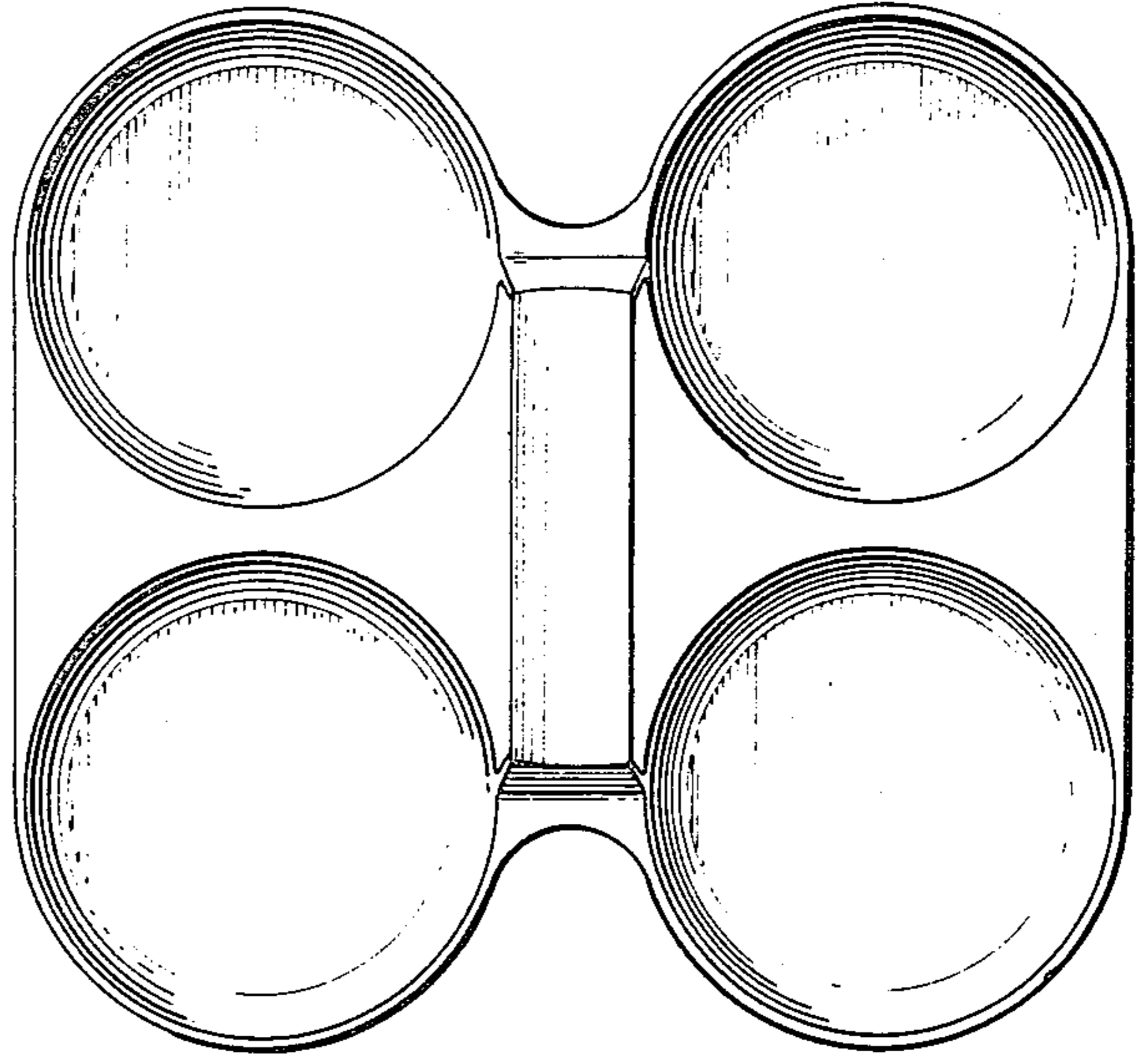


Fig-4

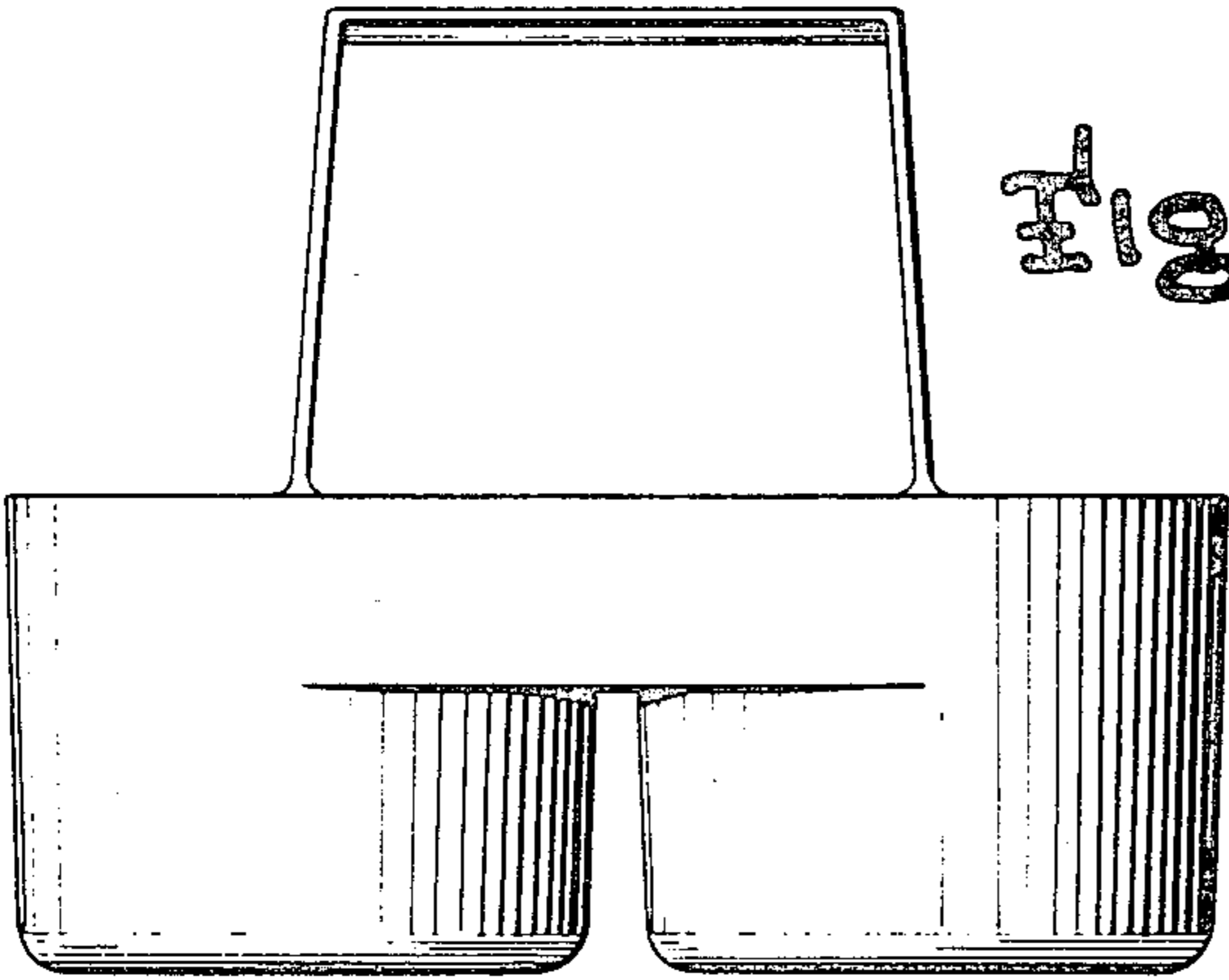


Fig-3

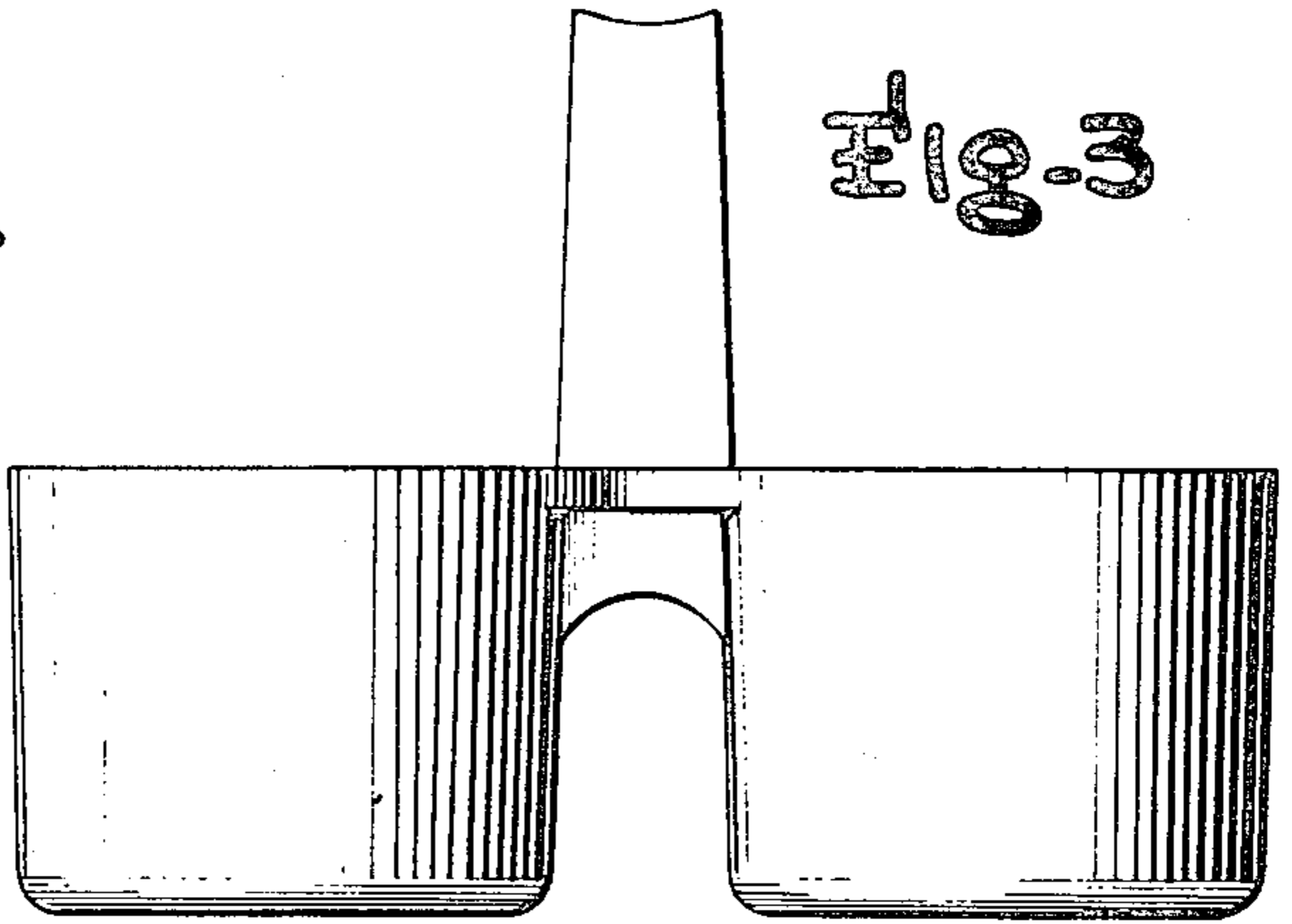


Fig-5

