

[54] REPLACEABLE PULLEY LAGGING PAD

[75] Inventors: Hugh L. McCreery, Galt; David A. Van Teslaar; Larry L. Walker, both of Stockton, all of Calif.

[73] Assignee: Holz Rubber Company, Inc., Lodi, Calif.

[**] Term: 14 Years

[21] Appl. No.: 417,800

[22] Filed: Sep. 13, 1982

[52] U.S. Cl. D34/35

[58] Field of Search D12/137, 138, 151, 134; 474/184, 185; D34/35, 32, 38

[56] References Cited

U.S. PATENT DOCUMENTS

D. 271,961	12/1983	Gorez	D12/151
662,046	4/1900	Winter	474/184
3,010,332	11/1961	Skates	474/184
3,354,735	11/1967	Holz	474/184
4,284,409	8/1981	Van Teslaar	474/185

Primary Examiner—James M. Gandy
Assistant Examiner—Kay H. Chin
Attorney, Agent, or Firm—Lothrop & West

[57] CLAIM

The ornamental design for a replaceable pulley lagging pad, as shown and described.

DESCRIPTION

FIG. 1 is a top right front perspective view of one embodiment of a replaceable pulley lagging pad, showing our new design;

FIG. 2 is a top plan view;

FIG. 3 is a bottom plan view;

FIG. 4 is an elevational view of one end, the opposite end being substantially a mirror image thereof;

FIG. 5 is an elevational view of one lateral edge, the opposite lateral edge being substantially a mirror image thereof;

FIG. 6 is a top perspective view of a second embodiment of our new design, for a replaceable pulley lagging pad illustrating a portion of the tread pattern, it being understood that said pattern is repeated uniformly throughout the length of the pad as shown by solid lines;

FIG. 7 is a transverse sectional view taken on the line 7—7 in FIG. 2.

In FIGS. 2 and 7, the outline of a pulley and pair of retainers engaging the pad flanges is for illustrative purposes only and forms no part of the design.

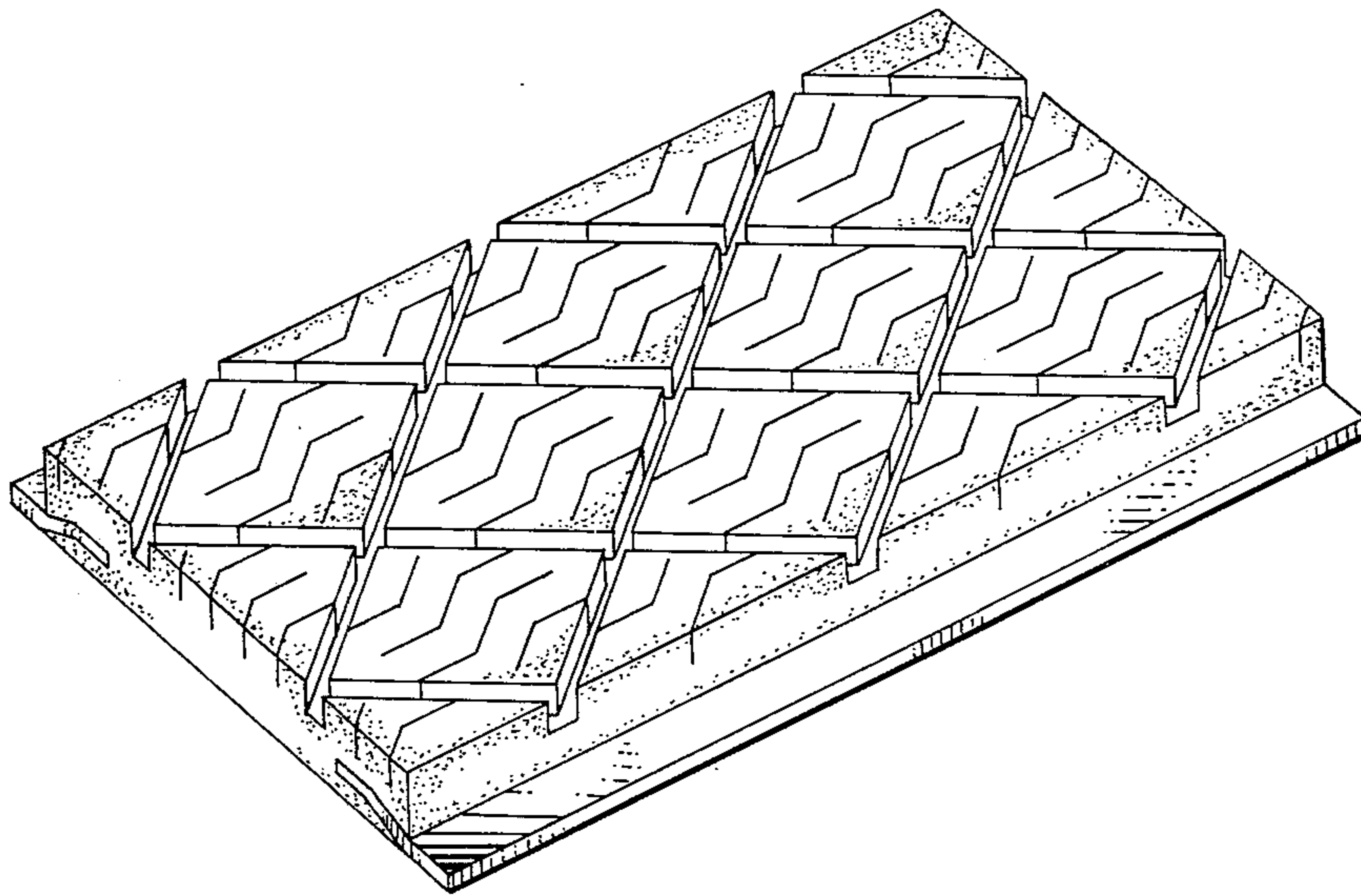


FIG - 1

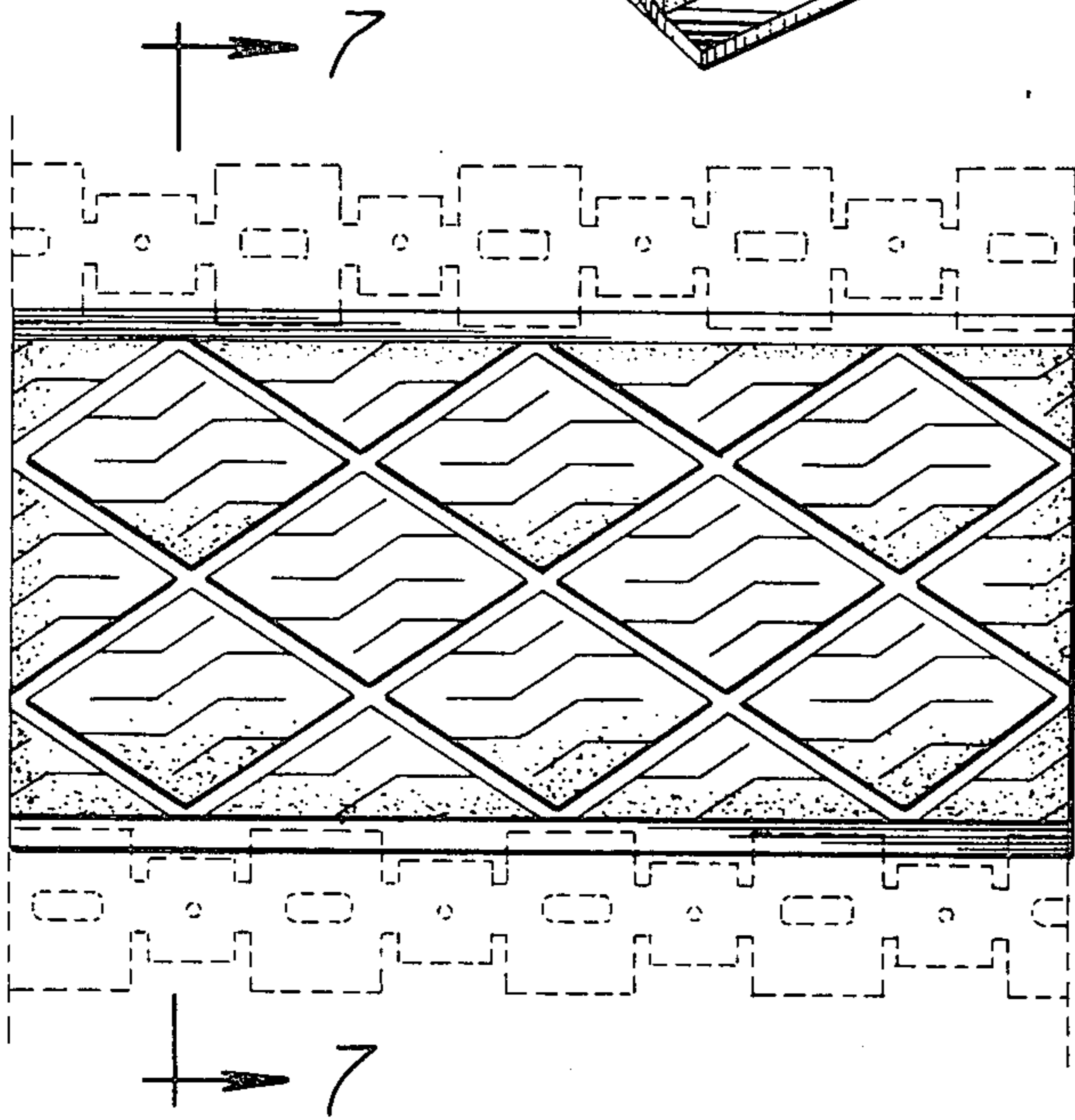
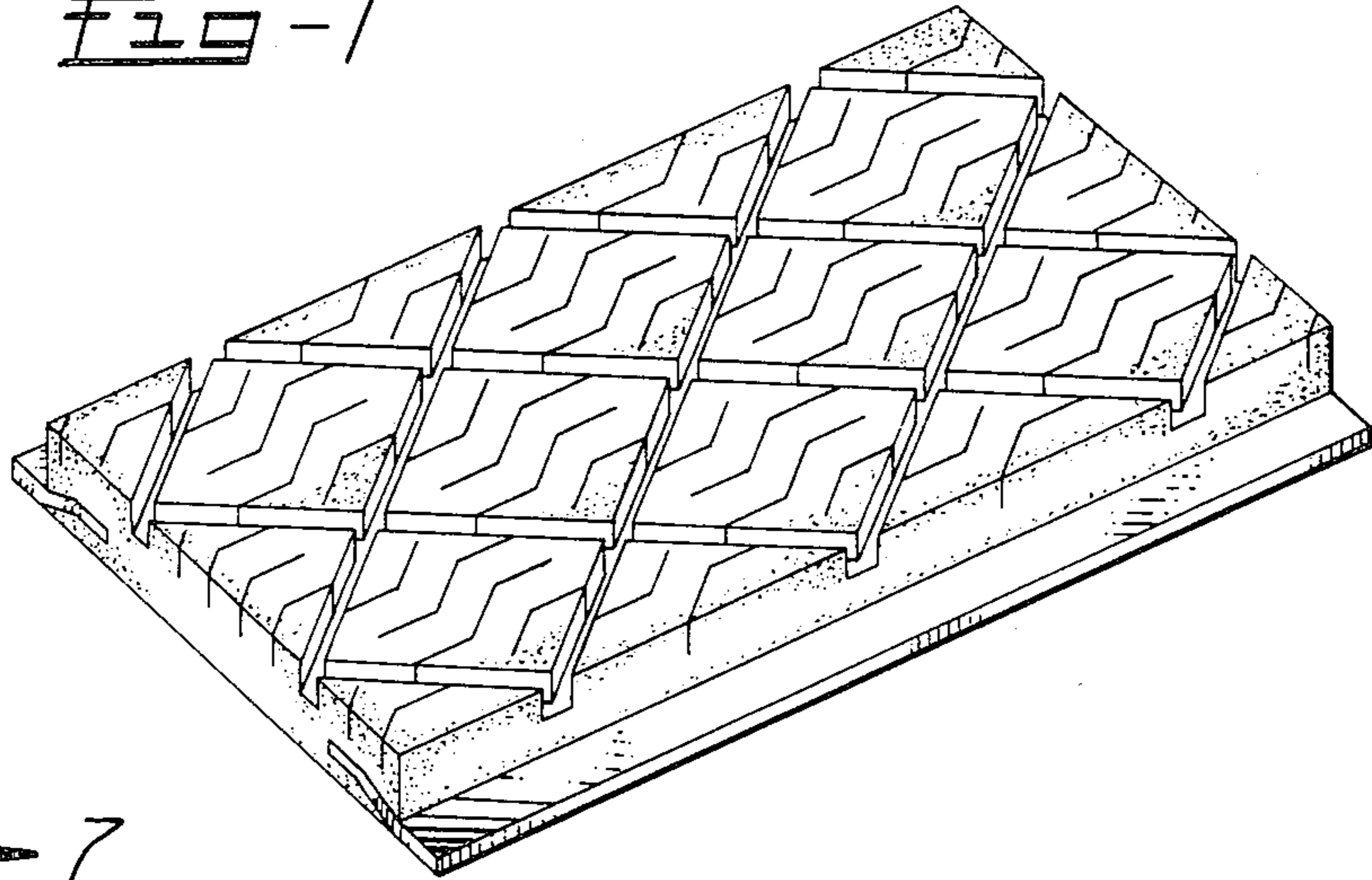


FIG - 2

FIG - 3

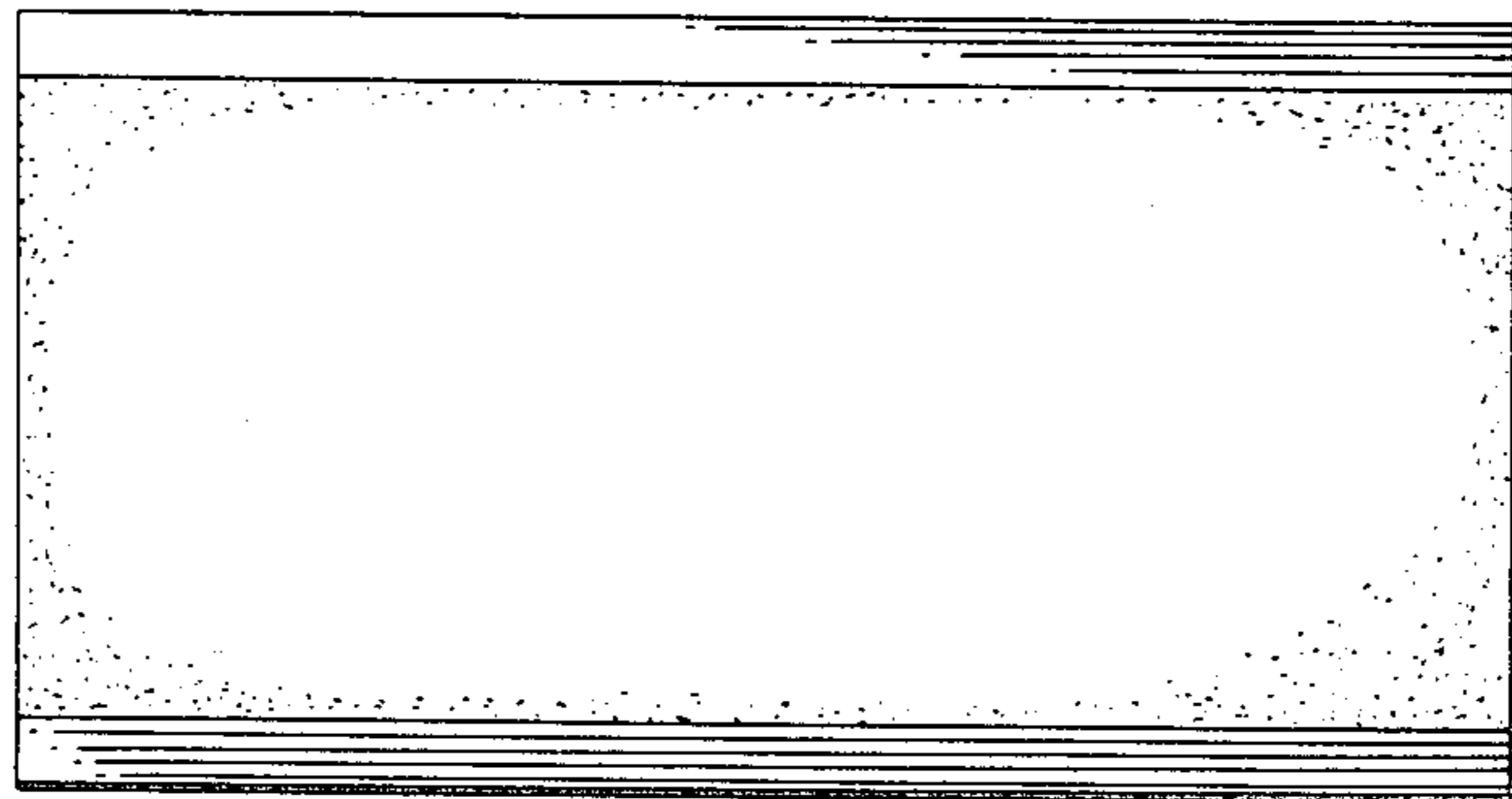


FIG - 4



FIG - 5



FIG - 6

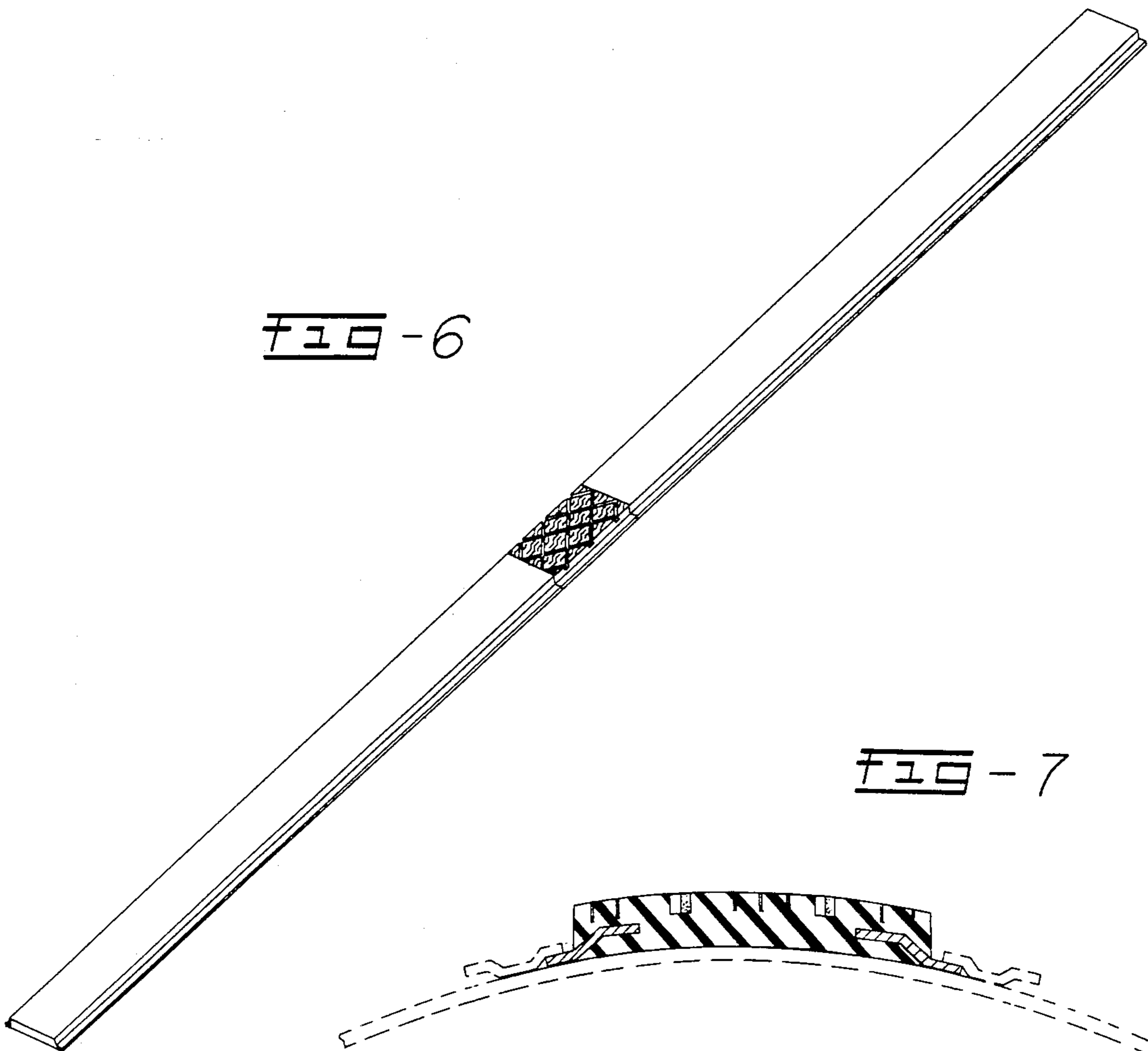


FIG - 7

