

[54] MOBILE DISPENSER RACK

[75] Inventor: Earl D. Barnett, Glenview, Ill.

[73] Assignee: Chicago Show Printing Co., Morton Grove, Ill.

[\*\*] Term: 14 Years

[21] Appl. No.: 447,409

[22] Filed: Dec. 6, 1982

[52] U.S. Cl. .... D34/22; D6/463; D6/408; D6/465; D34/21

[58] Field of Search ..... D34/21, 17, 24, 25, D34/26, 22; 280/47.17, 47.26, 47.19, 47.35; 211/59.2, 49.1; D6/457, 467, 468, 463, 408, 465

[56] References Cited

U.S. PATENT DOCUMENTS

- D. 200,830 4/1965 Brady ..... D6/463
- D. 237,700 11/1975 Clarke ..... D34/21
- 2,289,751 7/1942 Brenholt ..... 211/59.2

- 3,150,616 9/1964 Berlin ..... D34/17
- 3,697,095 10/1972 Howell ..... 280/47.17
- 3,834,724 9/1974 Trubiano ..... D34/21
- 4,294,363 10/1981 Oztekim et al. .... 211/59.2

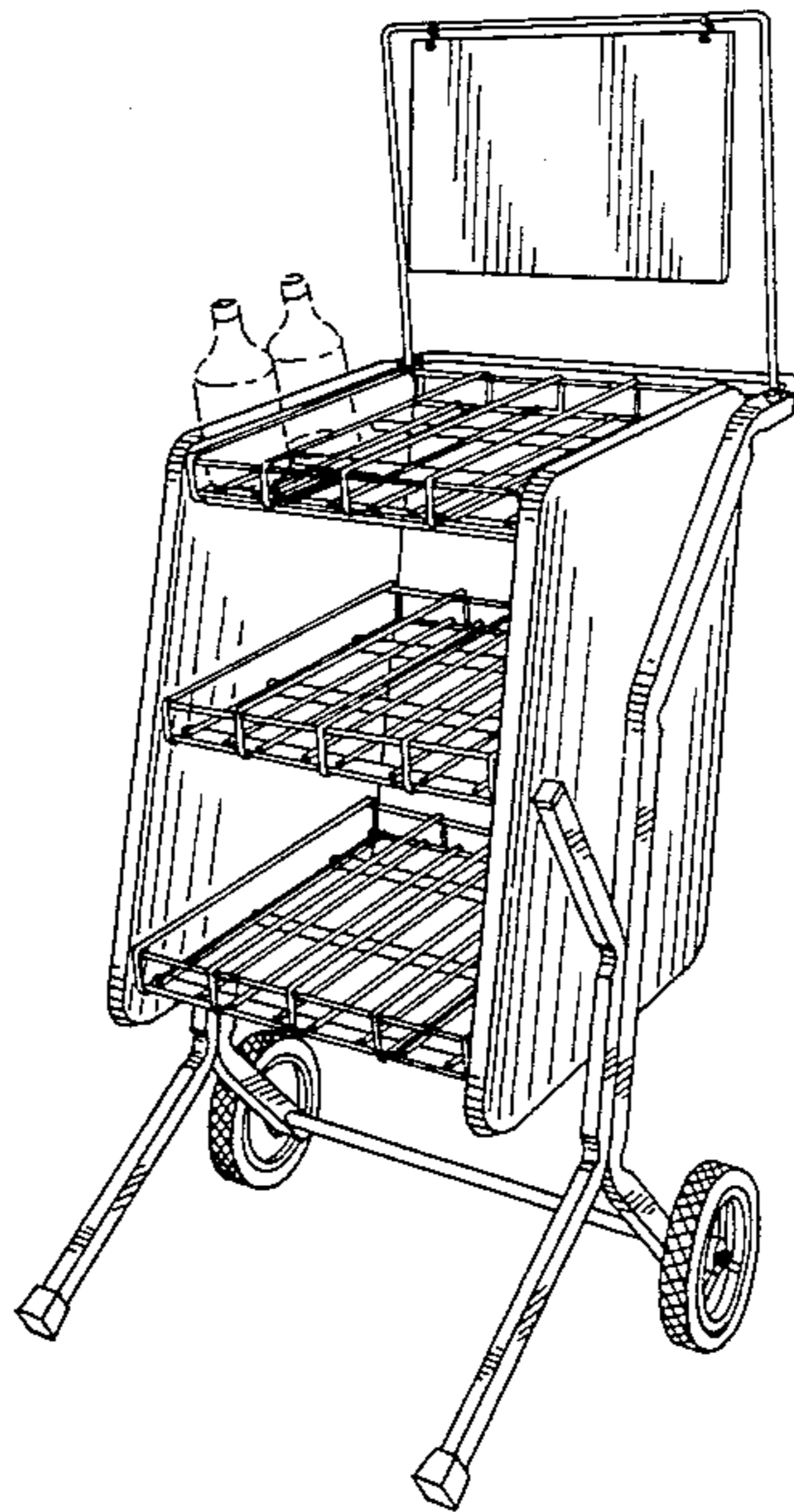
Primary Examiner—James M. Gandy  
Assistant Examiner—Kay H. Chin  
Attorney, Agent, or Firm—McDougall, Hersh & Scott

[57] CLAIM

The ornamental design for a mobile dispenser rack, as shown and described.

DESCRIPTION

FIG. 1 is a perspective view of a mobile dispenser rack showing my design;  
FIG. 2 is a left side elevation view thereof;  
FIG. 3 is a front elevation view thereof;  
FIG. 4 is a rear elevation view thereof; and  
FIG. 5 is a top plan view thereof;  
The broken lines shown in FIG. 1 of the drawing are for illustrative purposes only.



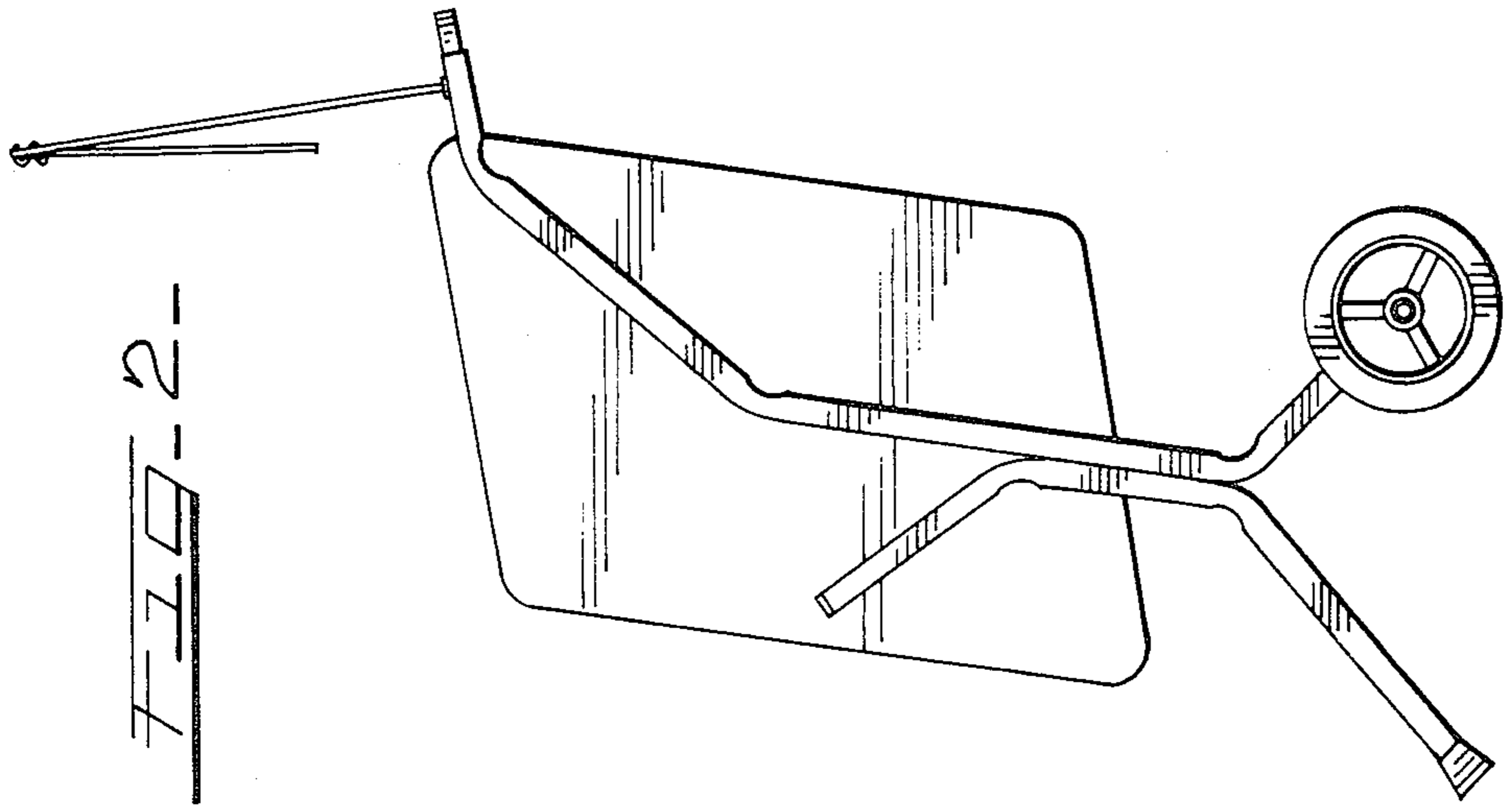


FIG. 2-

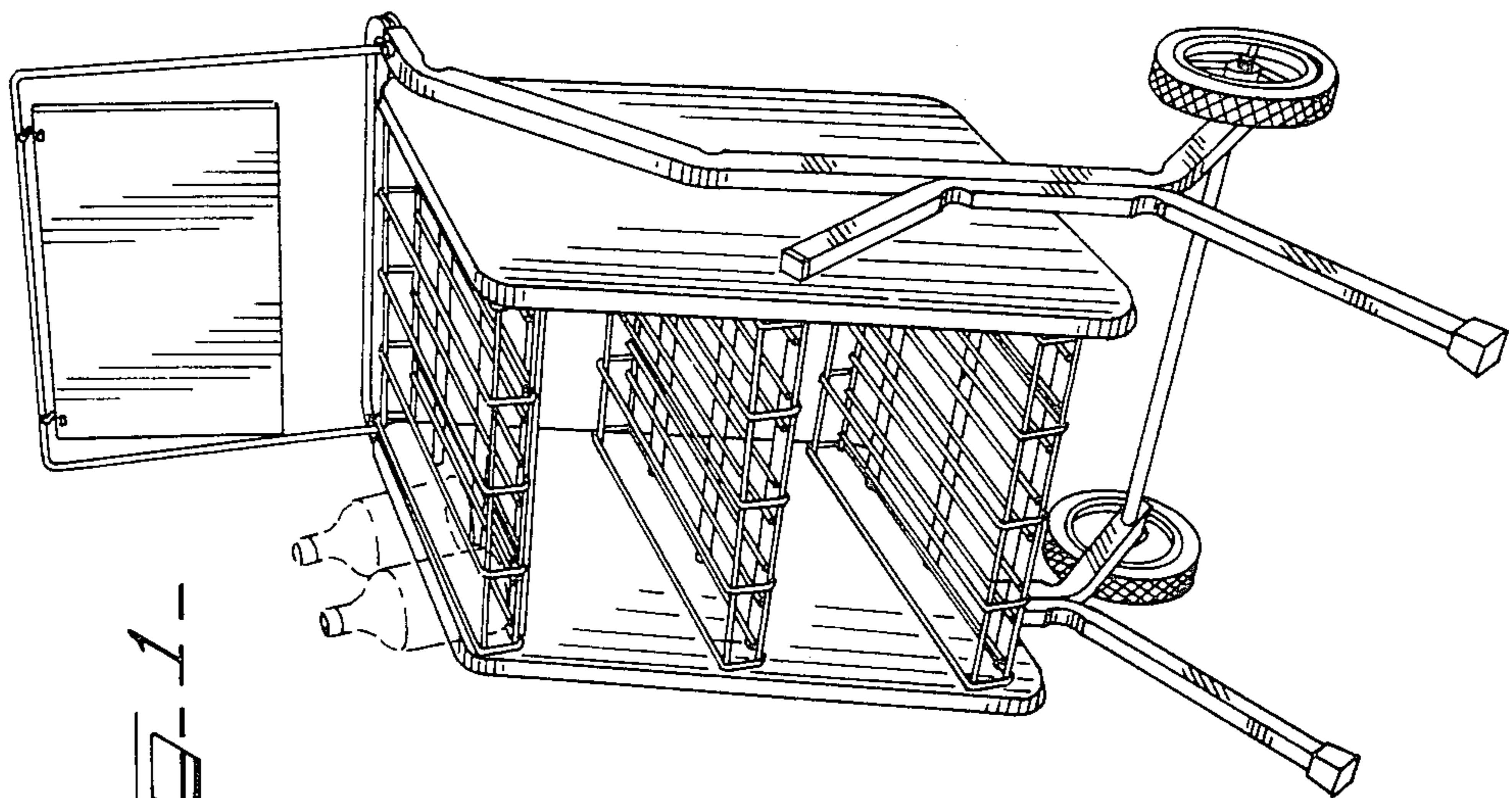


FIG. 1-

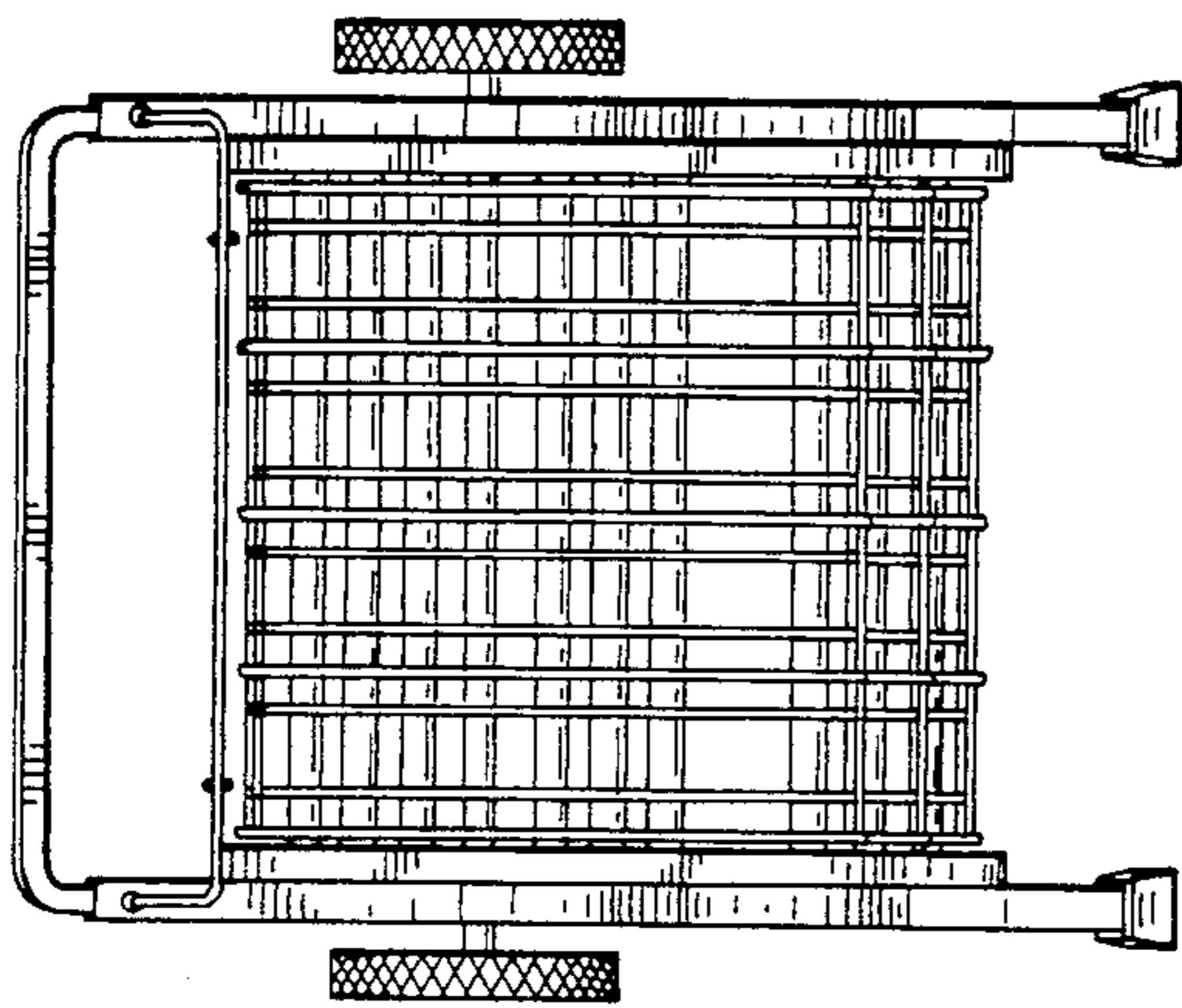


FIG. 5-

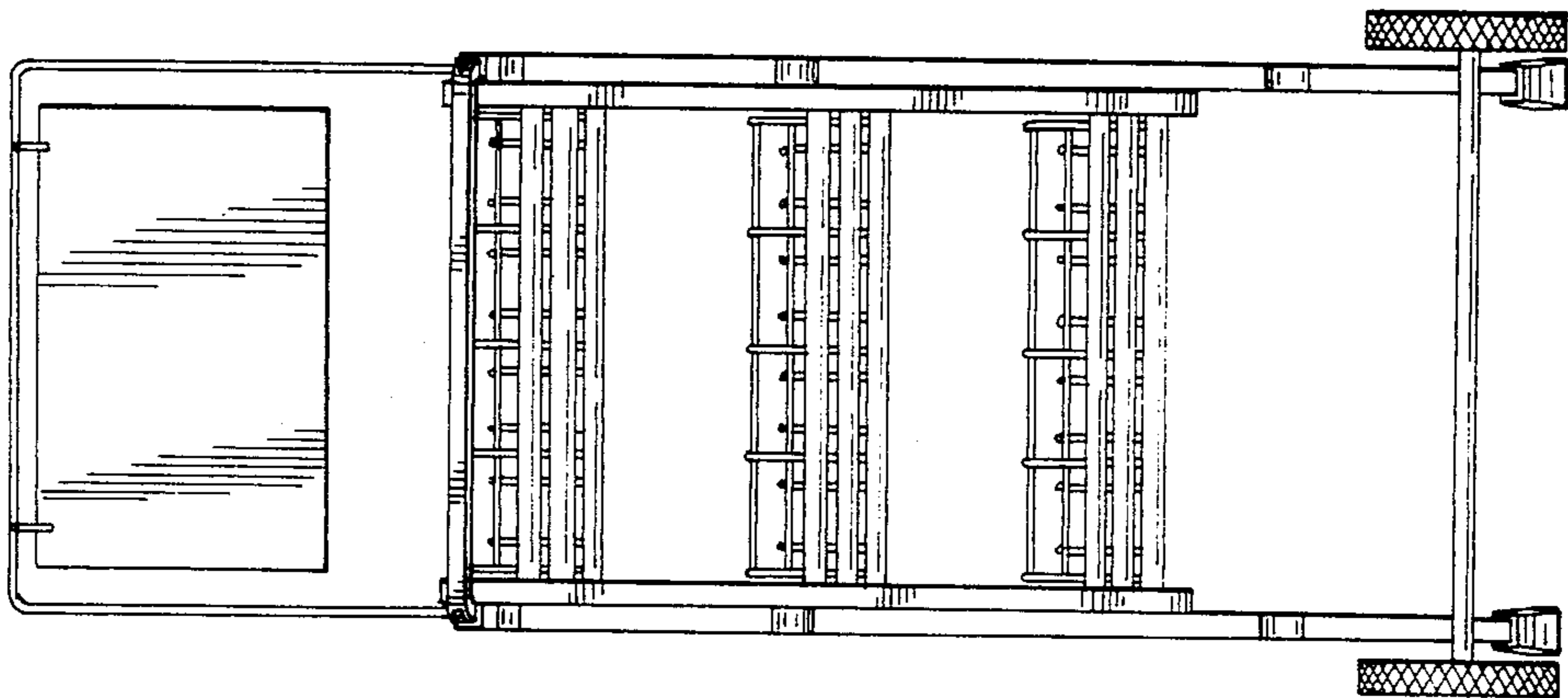


FIG. 4-

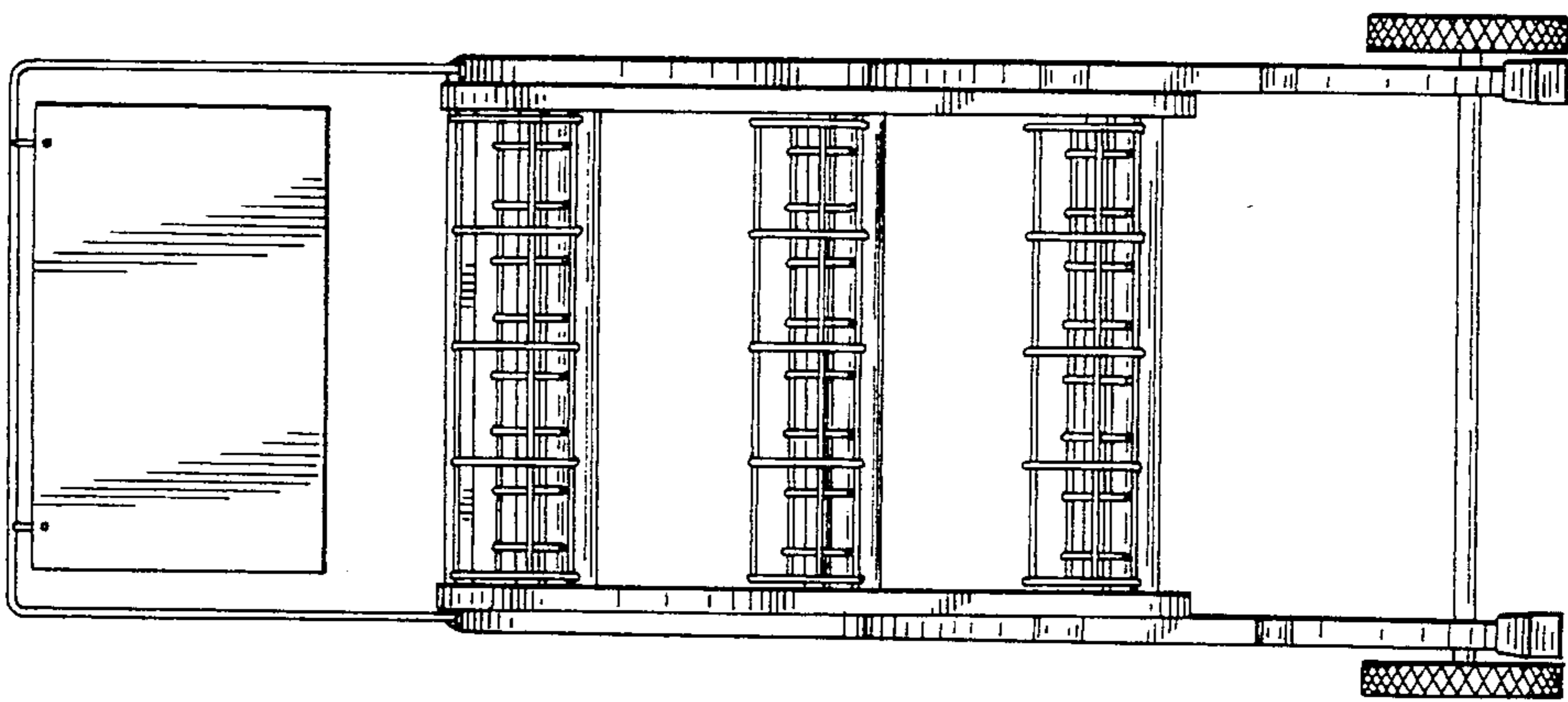


FIG. 3-