

United States Patent [19]

Johnson et al.

[11] Patent Number: **Des. 280,769**

[45] Date of Patent: **** Sep. 24, 1985**

[54] SPONGE MOP

[75] Inventors: **Robert S. Johnson**, Seattle; **Paul E. Fletcher**, Seattle; **William S. Benjamin**, Seattle; **John I. Zsitvay**, Mercer Island, all of Wash.

[73] Assignee: **The Lighthouse for the Blind, Incorporated**, Seattle, Wash.

[**] Term: **14 Years**

[21] Appl. No.: **516,530**

[22] Filed: **Jul. 25, 1983**

[52] U.S. Cl. **D32/44; D32/50; D32/51**

[58] Field of Search **D32/40, 44, 50, 51; 15/116 R, 116 A, 119 R, 119 A, 244**

[56] **References Cited**

U.S. PATENT DOCUMENTS

2,794,198	6/1957	Rogers	15/119 A
2,852,794	9/1958	Blum	15/244 R
4,196,488	4/1980	Barry	15/119 A

4,481,688 11/1984 Graham 15/119 A

FOREIGN PATENT DOCUMENTS

532768	11/1954	Belgium	15/119 A
1084464	7/1954	France	15/119 A
721269	1/1955	United Kingdom	15/119 A

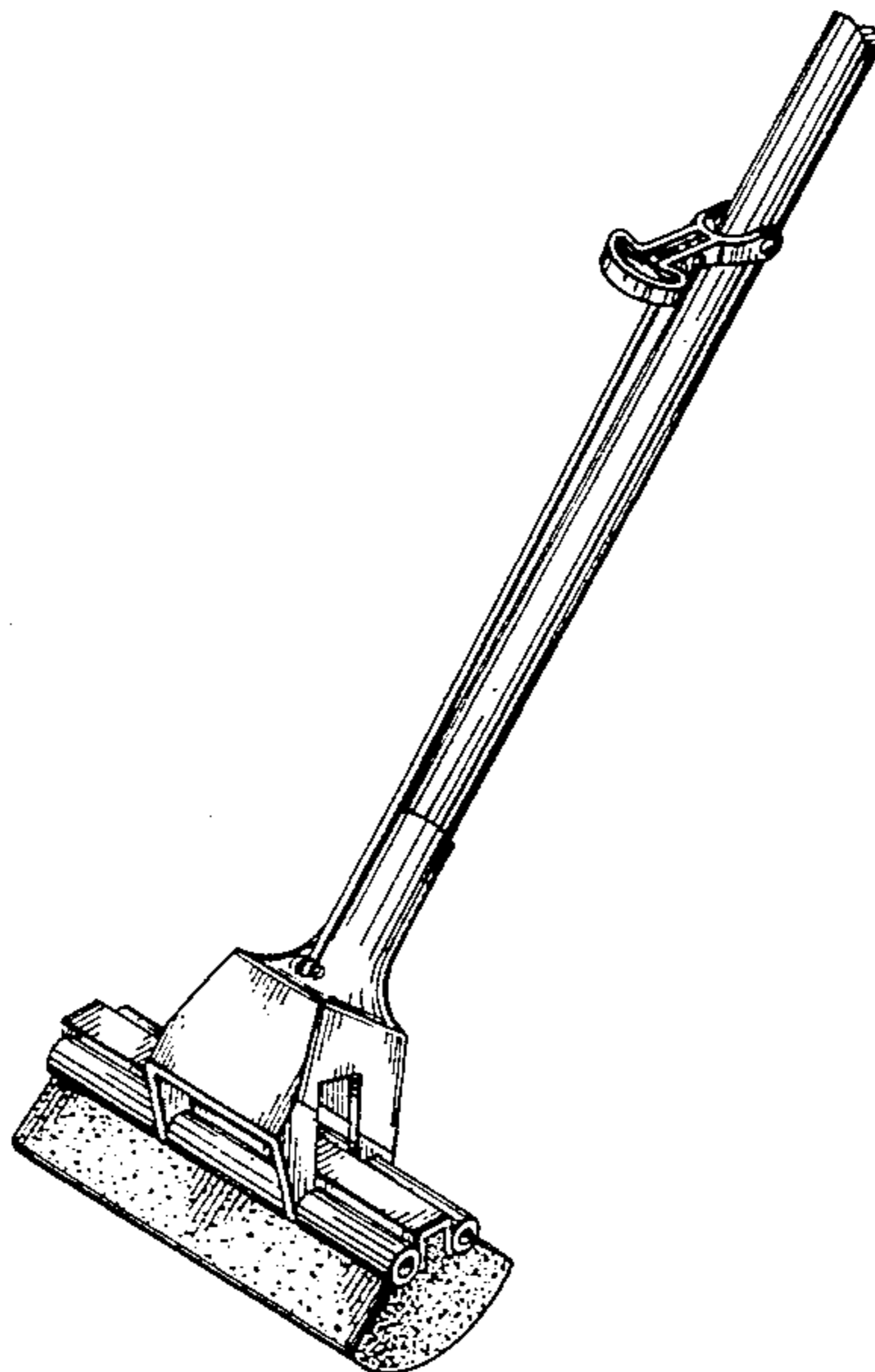
Primary Examiner—Catherine E. Kemper
Attorney, Agent, or Firm—Christensen, O'Connor, Johnson & Kindness

[57] CLAIM

The ornamental design for a sponge mop, as shown and described.

DESCRIPTION

FIG. 1 is a front perspective view of a sponge mop showing our new design;
FIG. 2 is a left side elevational view thereof;
FIG. 3 is a front elevational view thereof;
FIG. 4 is a rear elevational view thereof; and
FIG. 5 is a top plan view thereof.
The conventional handle has been shown fragmentarily in all views for ease of illustration.



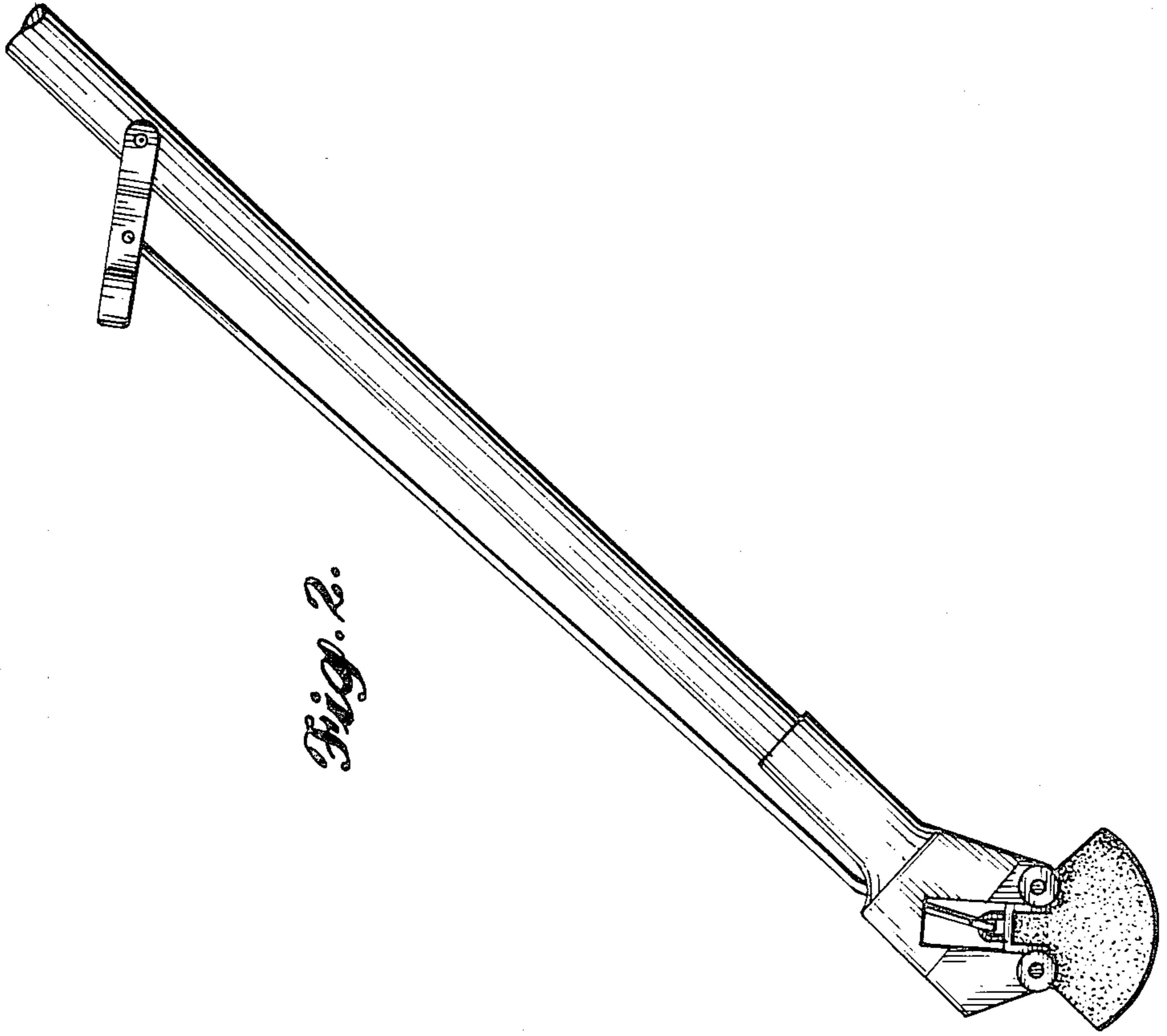


Fig. 2.

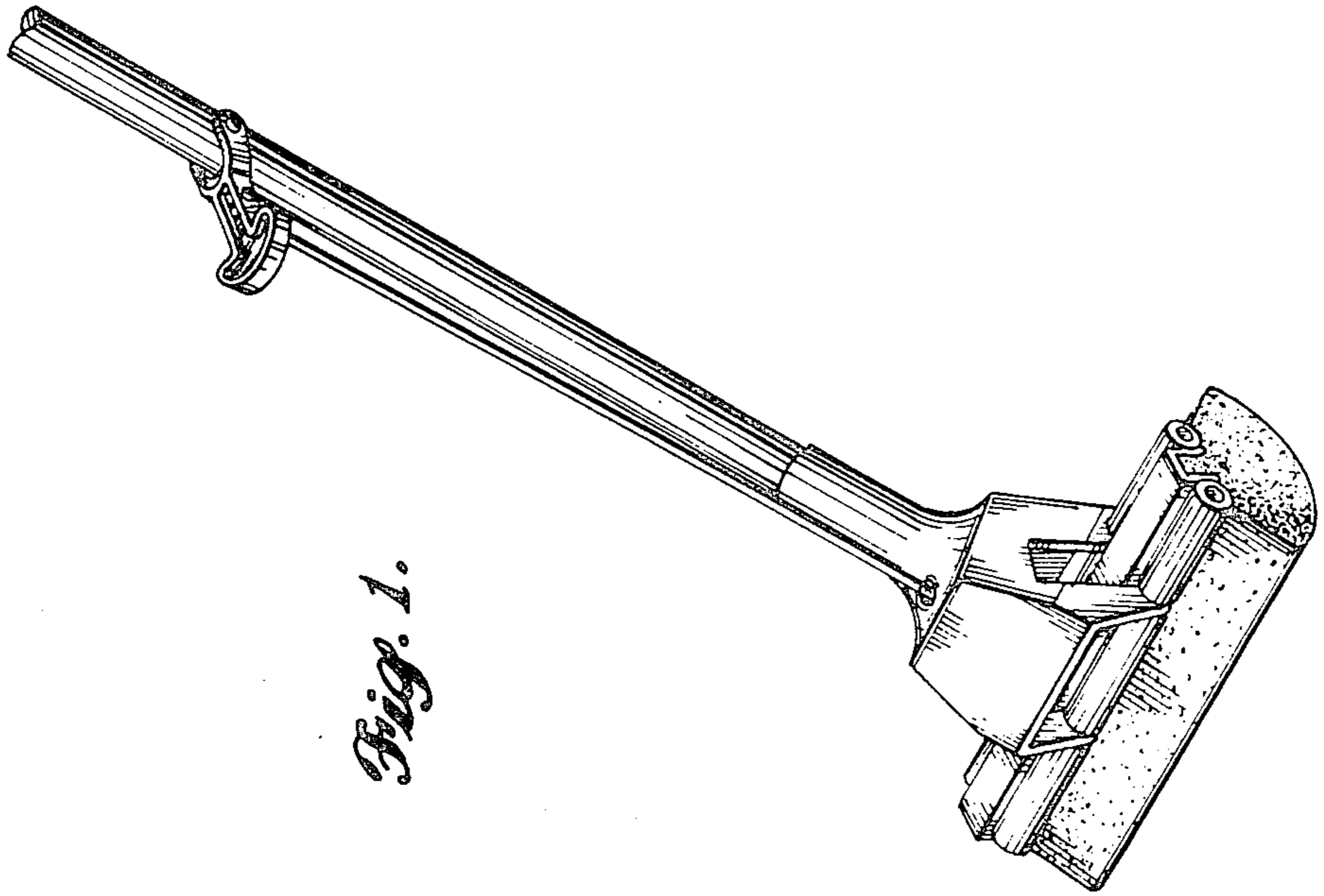


Fig. 1.

