

[54] VACUUM CLEANER

[75] Inventors: John T. Ferraris, Stamford; James E. Billick, Norwalk; George L. Schick, Easton, all of Conn.

[73] Assignee: Electrolux Corporation, Stamford, Conn.

[**] Term: 14 Years

[21] Appl. No.: 537,979

[22] Filed: Sep. 30, 1983

[52] U.S. Cl. D32/23

[58] Field of Search D32/21, 22, 23, 24; 15/320, 327 R, 327 D, 327 E

[56] References Cited

U.S. PATENT DOCUMENTS

| | | | |
|------------|---------|----------------------------|--------|
| D. 63,076 | 10/1923 | Gearhart et al. | D32/23 |
| D. 103,325 | 2/1937 | John | D32/23 |
| D. 114,593 | 5/1939 | Leathers | D32/23 |
| D. 148,311 | 1/1948 | Lilly | D32/23 |
| D. 159,087 | 6/1950 | Martinet et al. | D32/23 |
| D. 174,841 | 5/1955 | Trombley | D32/23 |
| D. 178,199 | 7/1956 | Martinec | D32/23 |
| D. 178,322 | 7/1956 | Kasper | D32/23 |
| D. 183,961 | 11/1958 | Chapman | D32/21 |
| D. 187,064 | 1/1960 | Kasper | D32/23 |
| D. 189,288 | 11/1960 | Smithson | D32/23 |
| D. 202,769 | 11/1965 | Witham | D32/21 |
| D. 243,574 | 3/1977 | Bartlett | D32/23 |
| D. 255,357 | 6/1980 | Brooks et al. | D32/23 |
| D. 261,515 | 10/1981 | Schaefer et al. | D32/23 |
| 1,316,442 | 9/1919 | Goughnour | D32/23 |
| 2,534,808 | 12/1950 | Bevington, Jr. et al. | D32/23 |
| 3,184,776 | 5/1965 | Vermeulen | 15/327 |

Primary Examiner—Wallace R. Burke
Assistant Examiner—Lynn Wilder
Attorney, Agent, or Firm—Jeffrey H. Ingerman

[57] CLAIM

The ornamental design for a vacuum cleaner, as shown and described.

DESCRIPTION

FIG. 1 is a front perspective view of the vacuum cleaner showing our new design;
 FIG. 2 is a front perspective view of the body portion thereof;
 FIG. 3 is a front elevational view of the body portion thereof;
 FIG. 4 is a left side elevational view of the body portion thereof;
 FIG. 5 is a right side elevational view of the body portion thereof;
 FIG. 6 is a rear elevational view of the body portion thereof;
 FIG. 7 is a top plan view of the body portion thereof;
 FIG. 8 is a side elevational view of the power nozzle and wand thereof;
 FIG. 9 is a top plan view of the power nozzle thereof;
 FIG. 10 is a front elevational view of the power nozzle thereof;
 FIG. 11 is a rear elevational view of the power nozzle thereof;
 FIG. 12 is a bottom plan view of the power nozzle thereof;
 FIG. 13 is a perspective view of the male end of the power nozzle cord thereof, showing a strain relief ball;
 FIG. 14 is a front perspective view of an antidisengagement device for the hose and power nozzle cord thereof; and
 FIG. 15 is a rear perspective view of the antidisengagement device.

The hose in FIG. 1 is partially disclosed in broken lines for ease of illustration.
Individual parts of the claimed design have been separately disclosed for clarity of illustration.

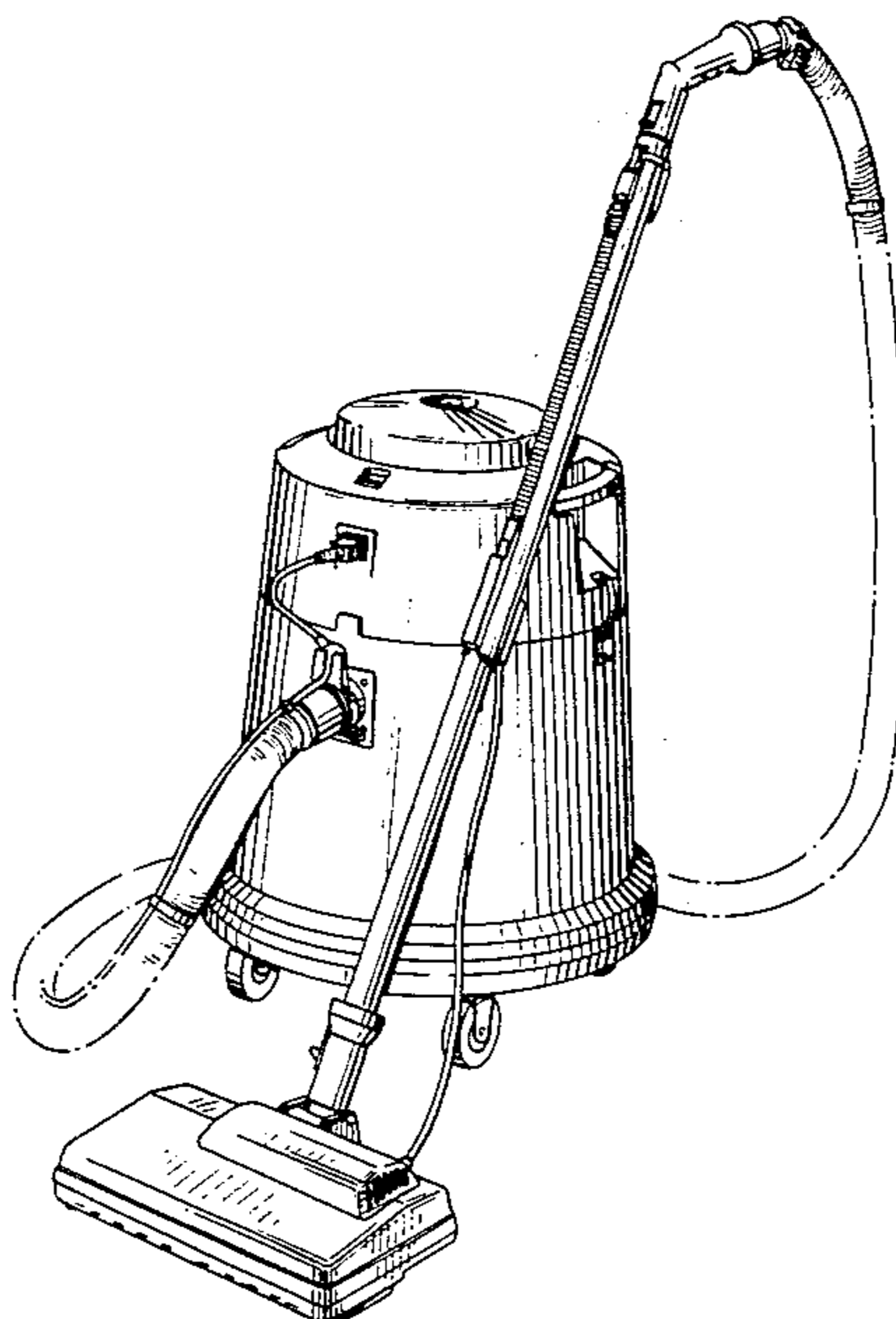


Fig. 1.

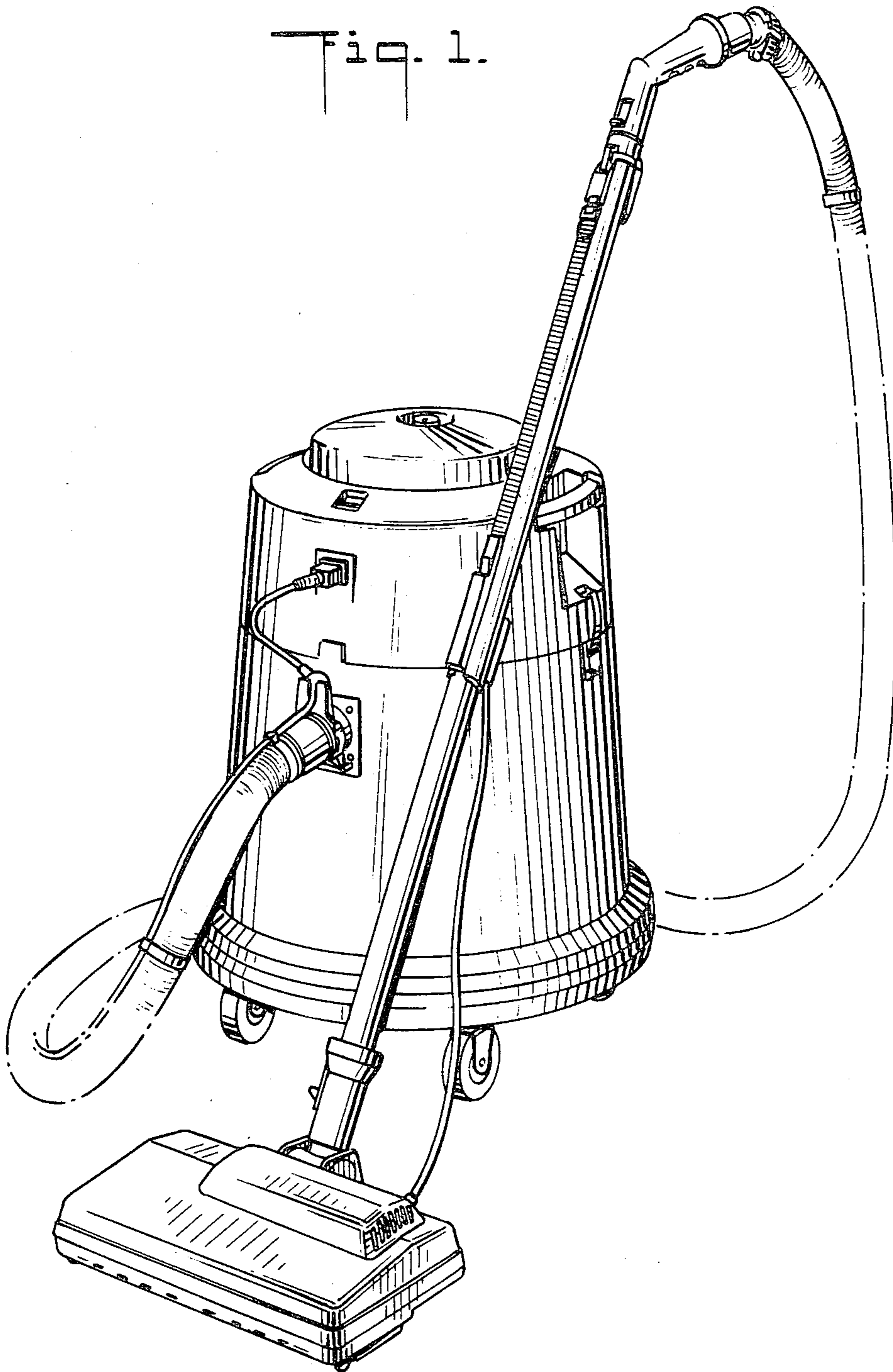


Fig. 2.

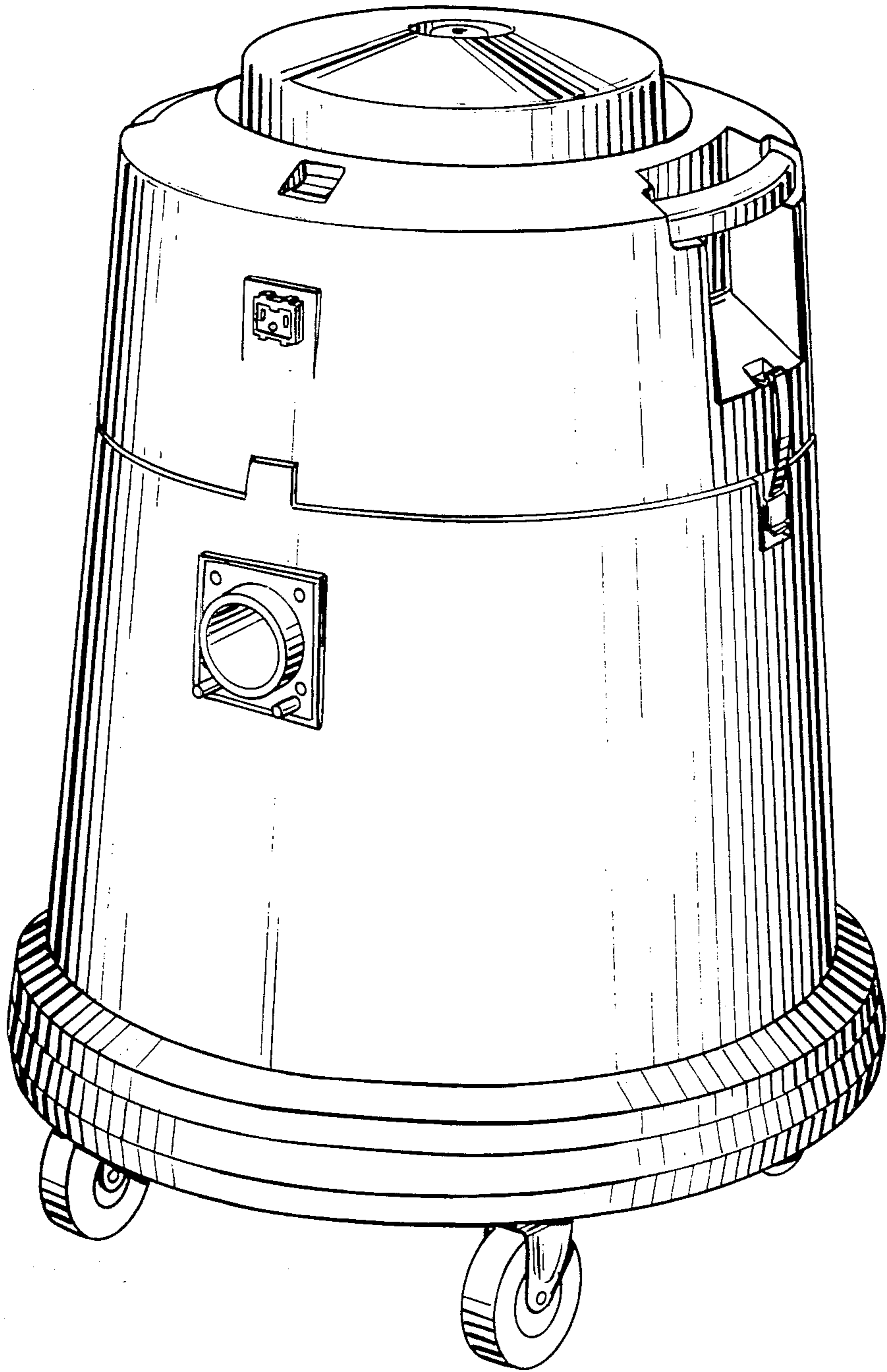


Fig. 3.

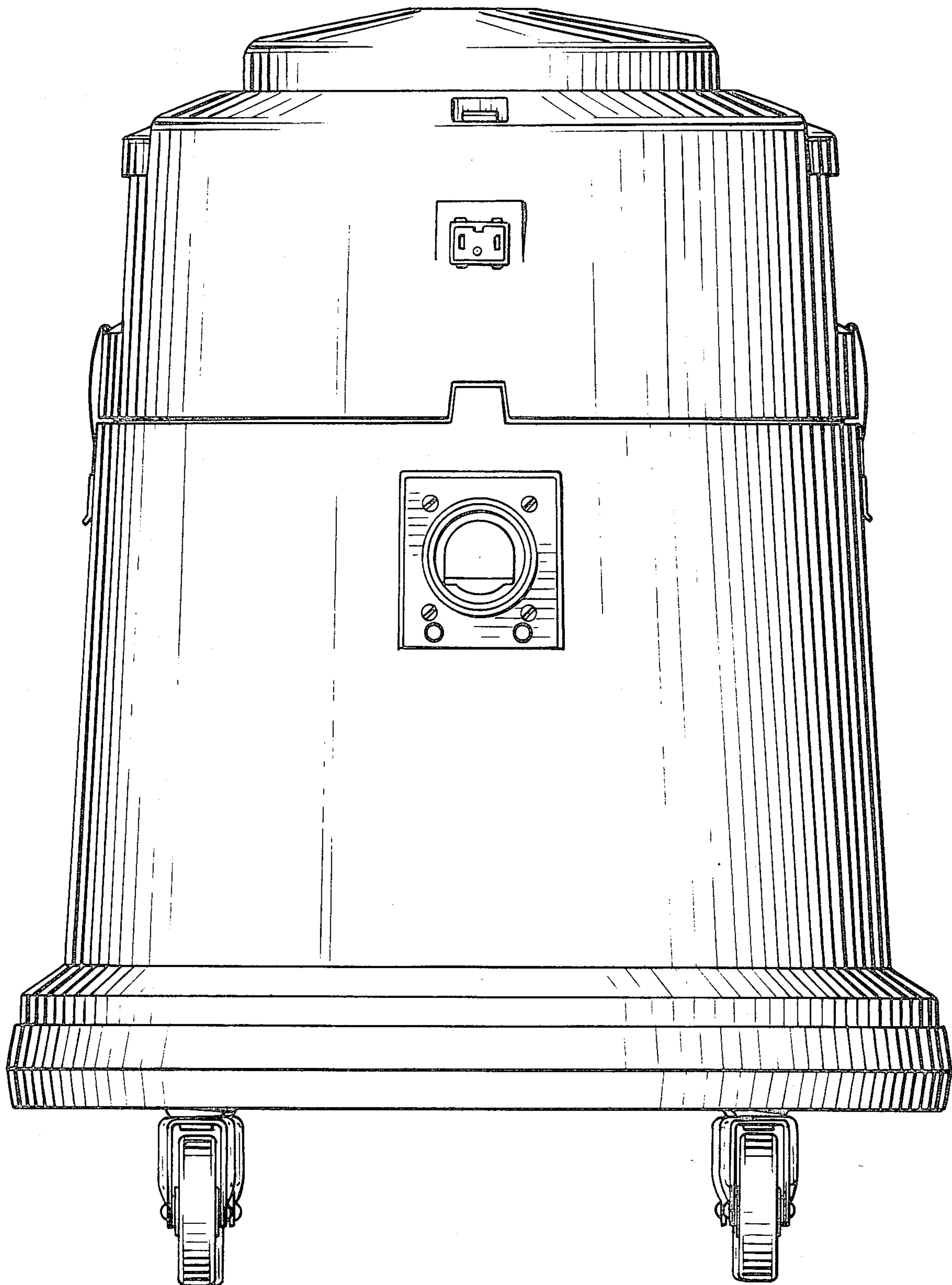
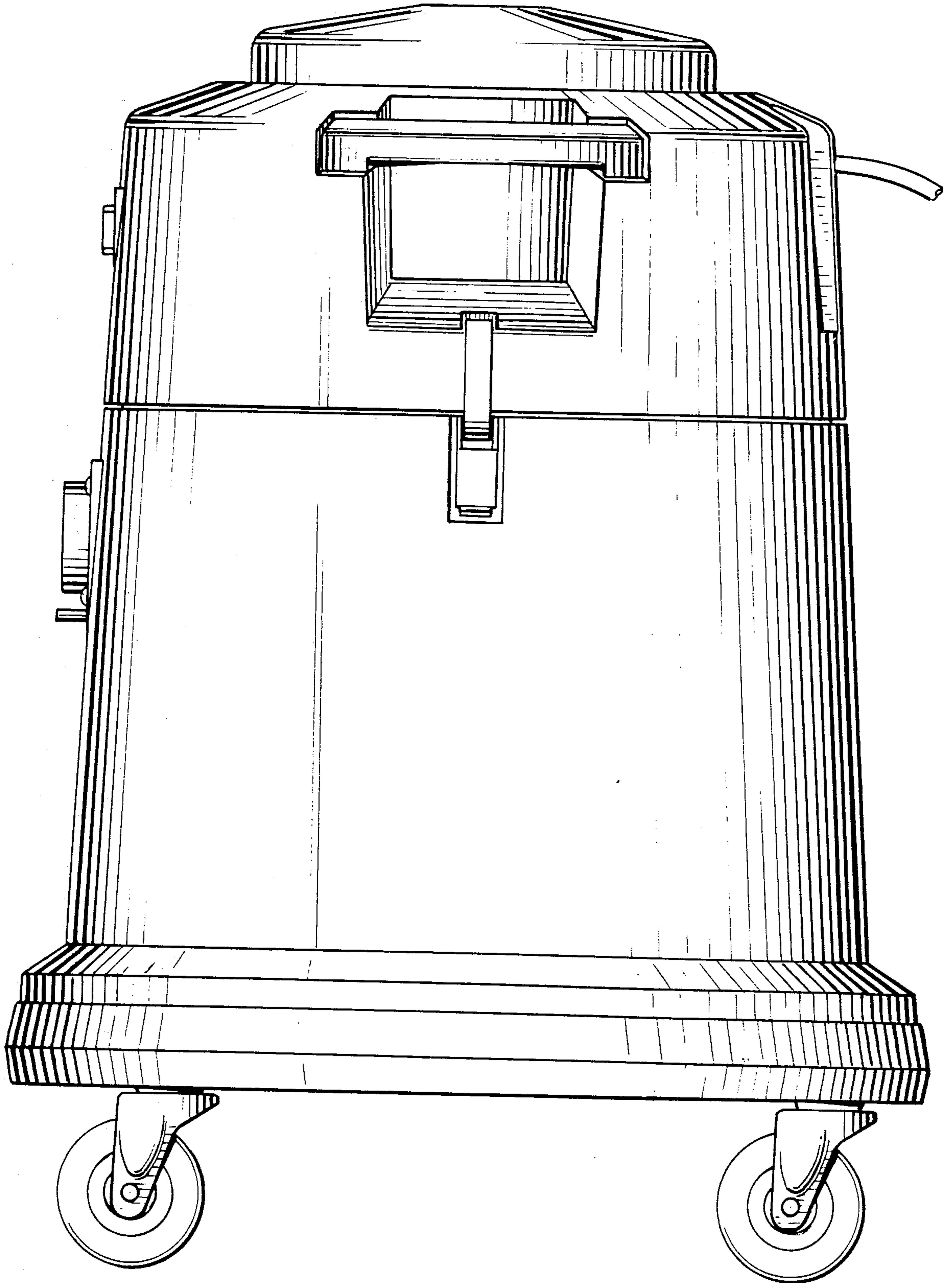


Fig. 4.



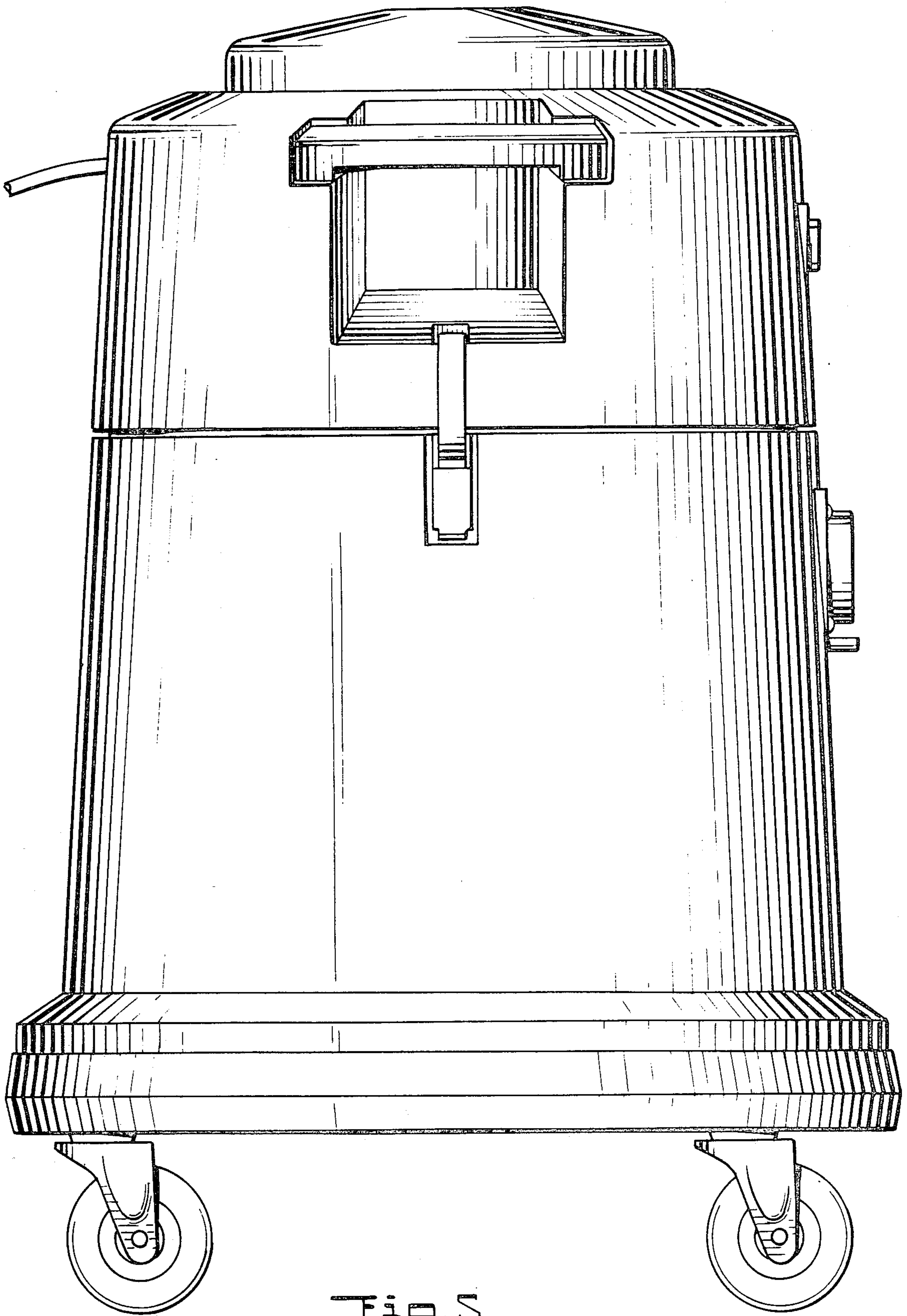


Fig. 5.

Fig. 6.

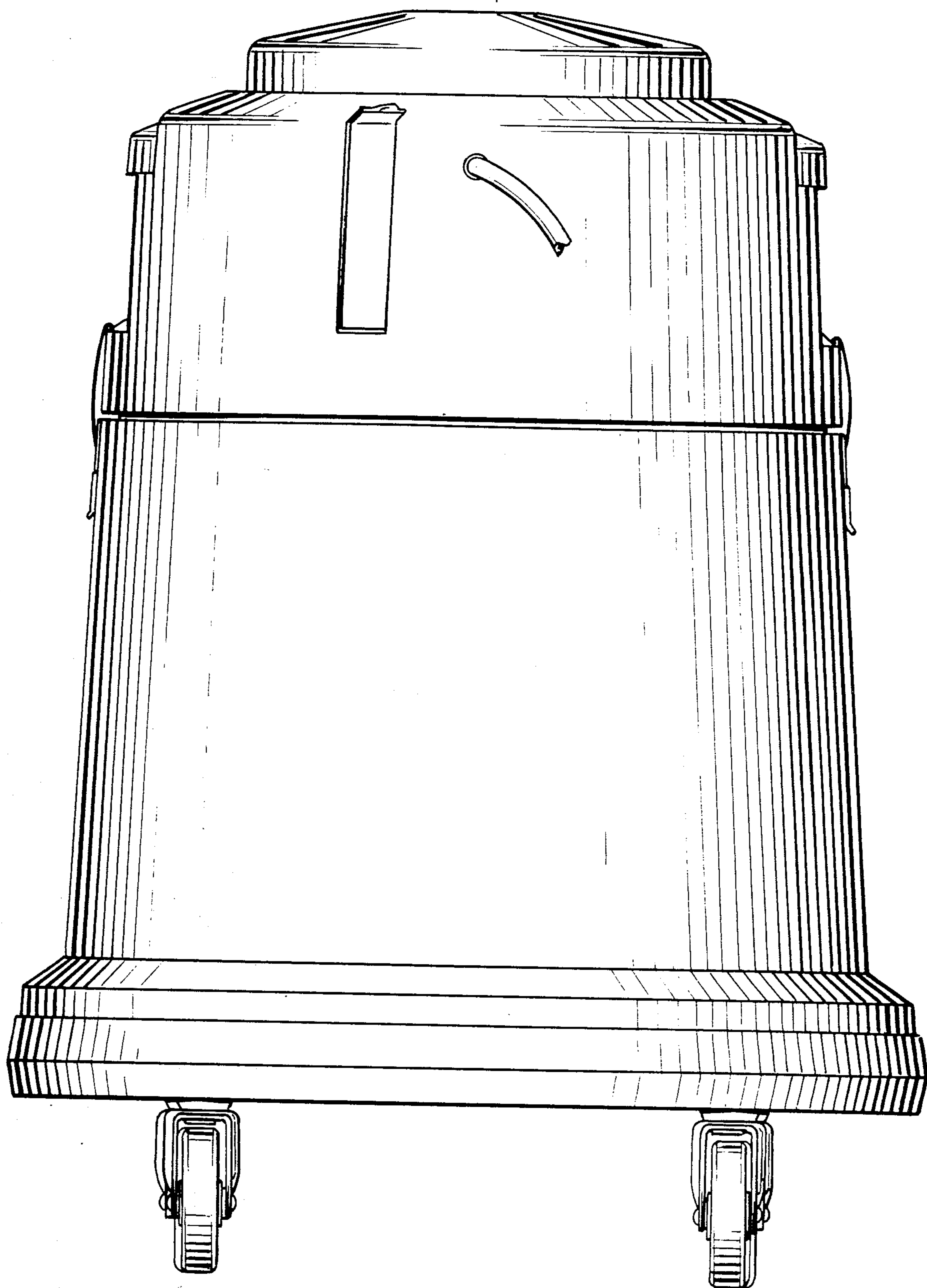
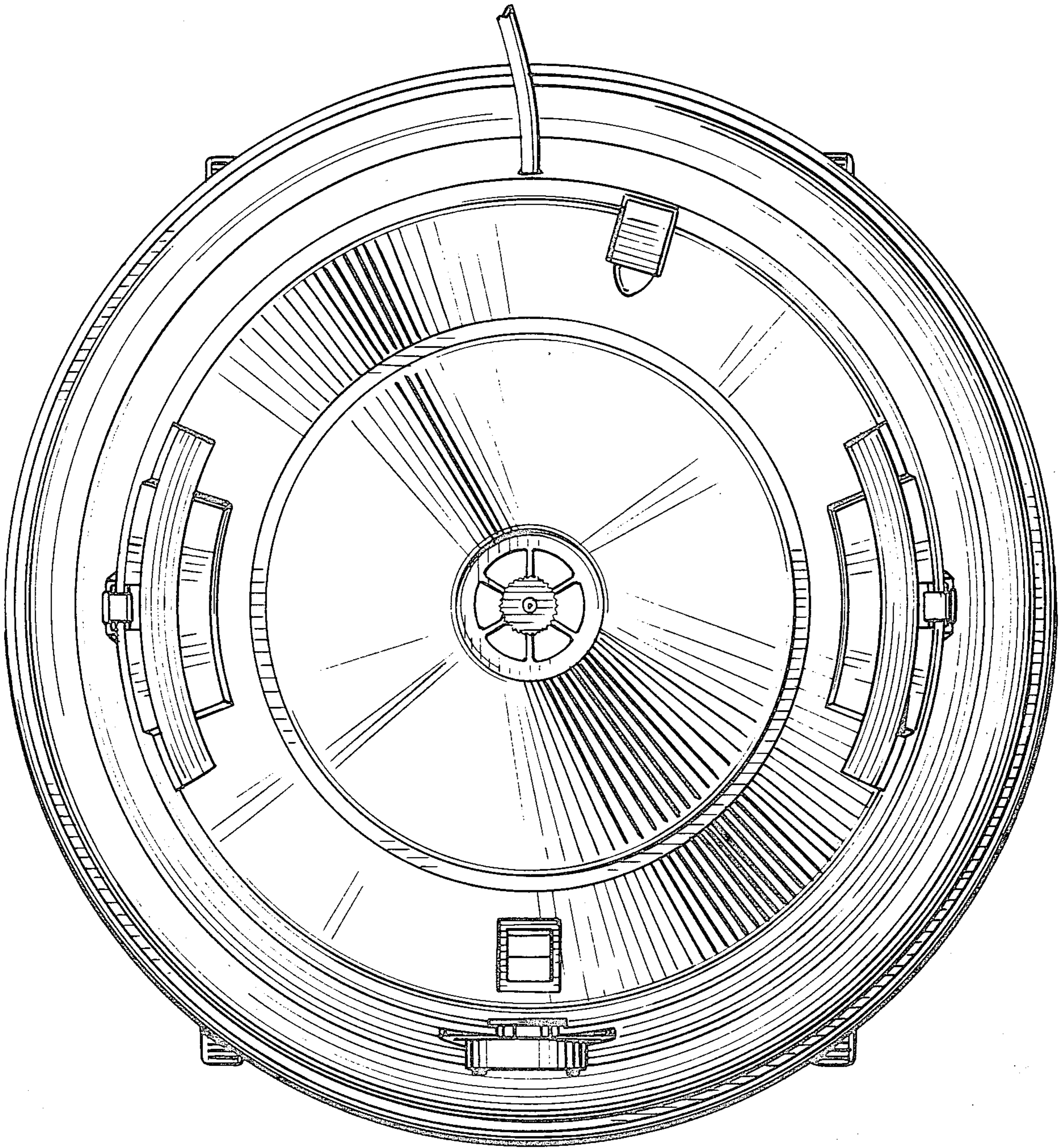


Fig. 7.



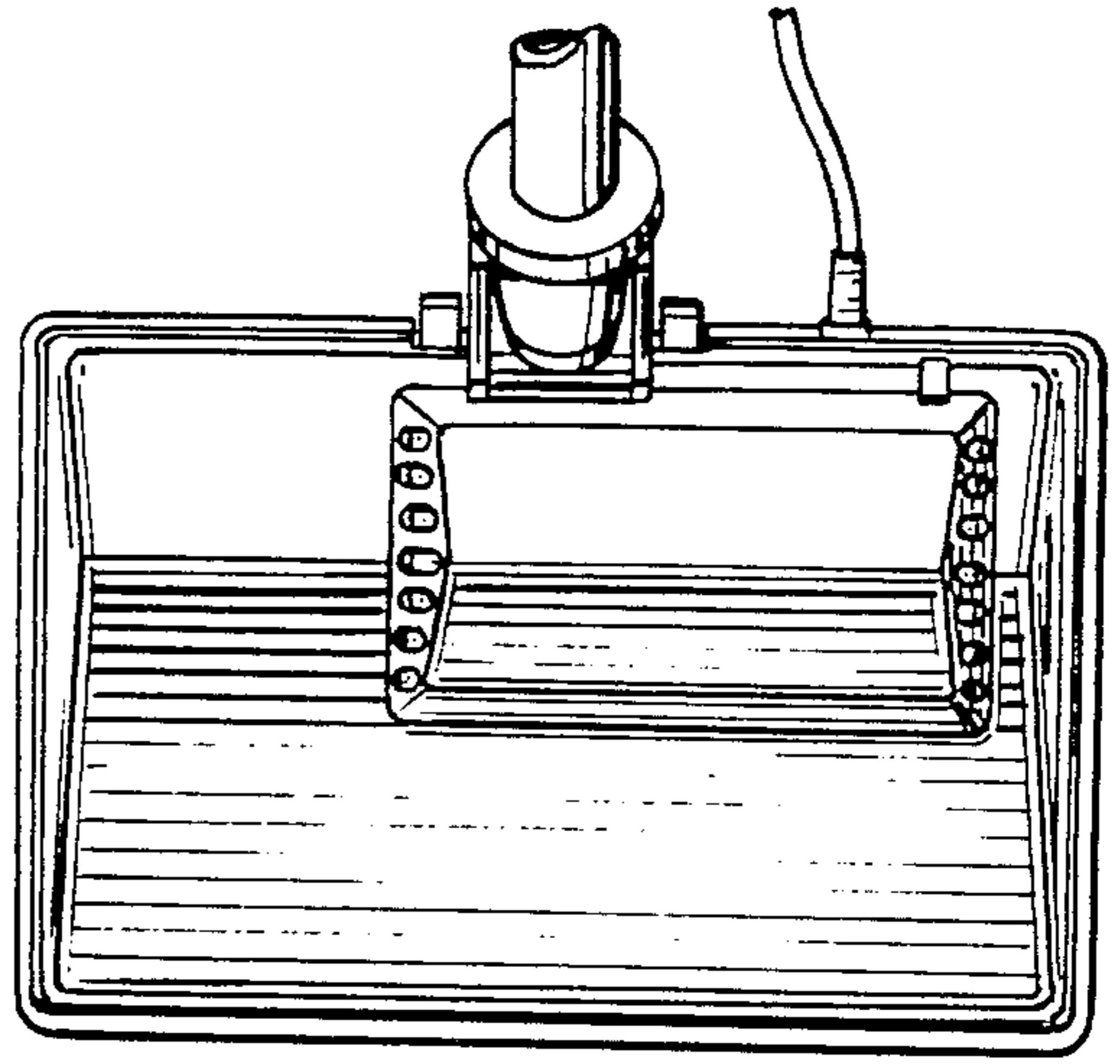


Fig. 9.

Fig. 8.

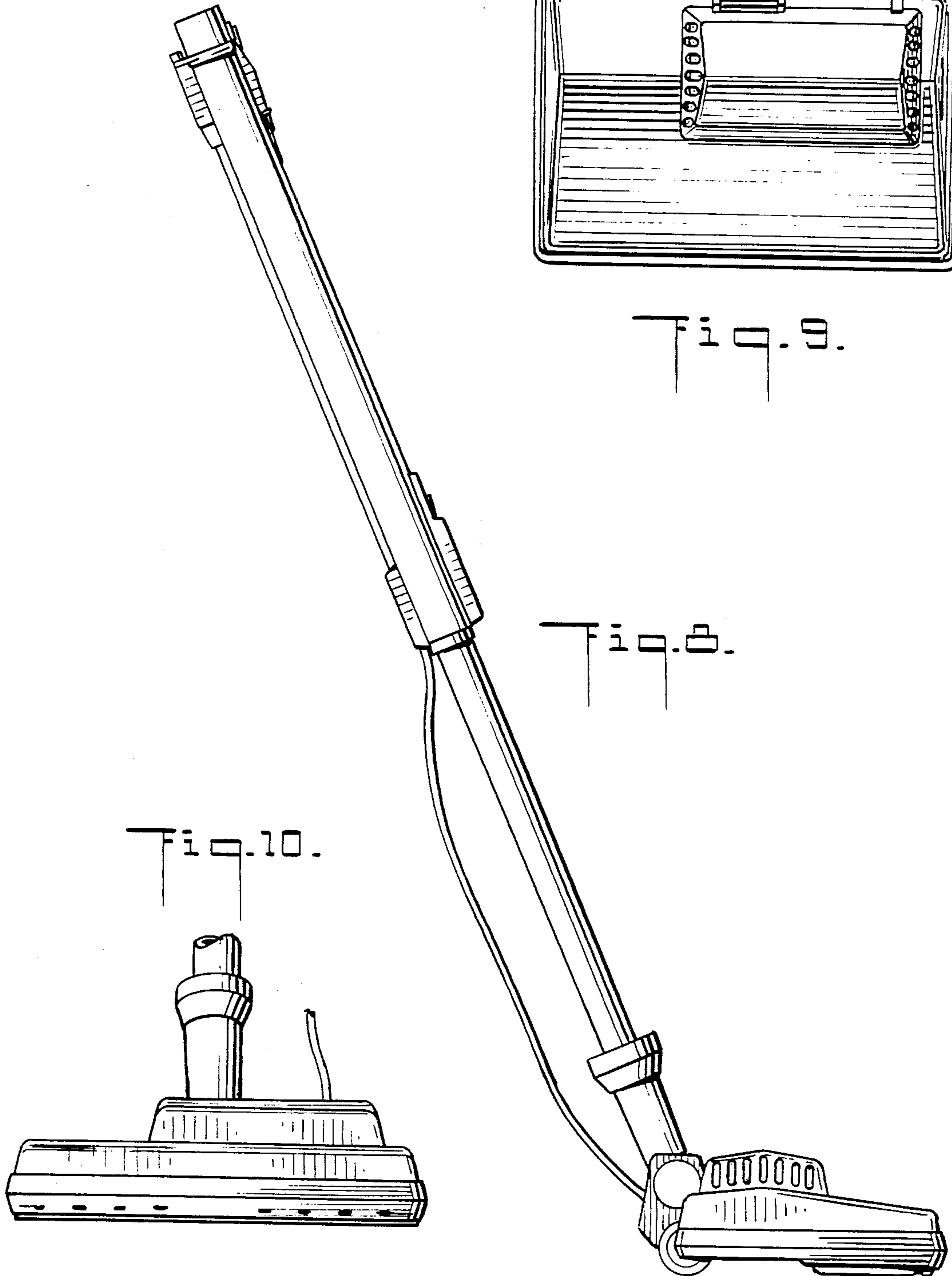


Fig. 10.

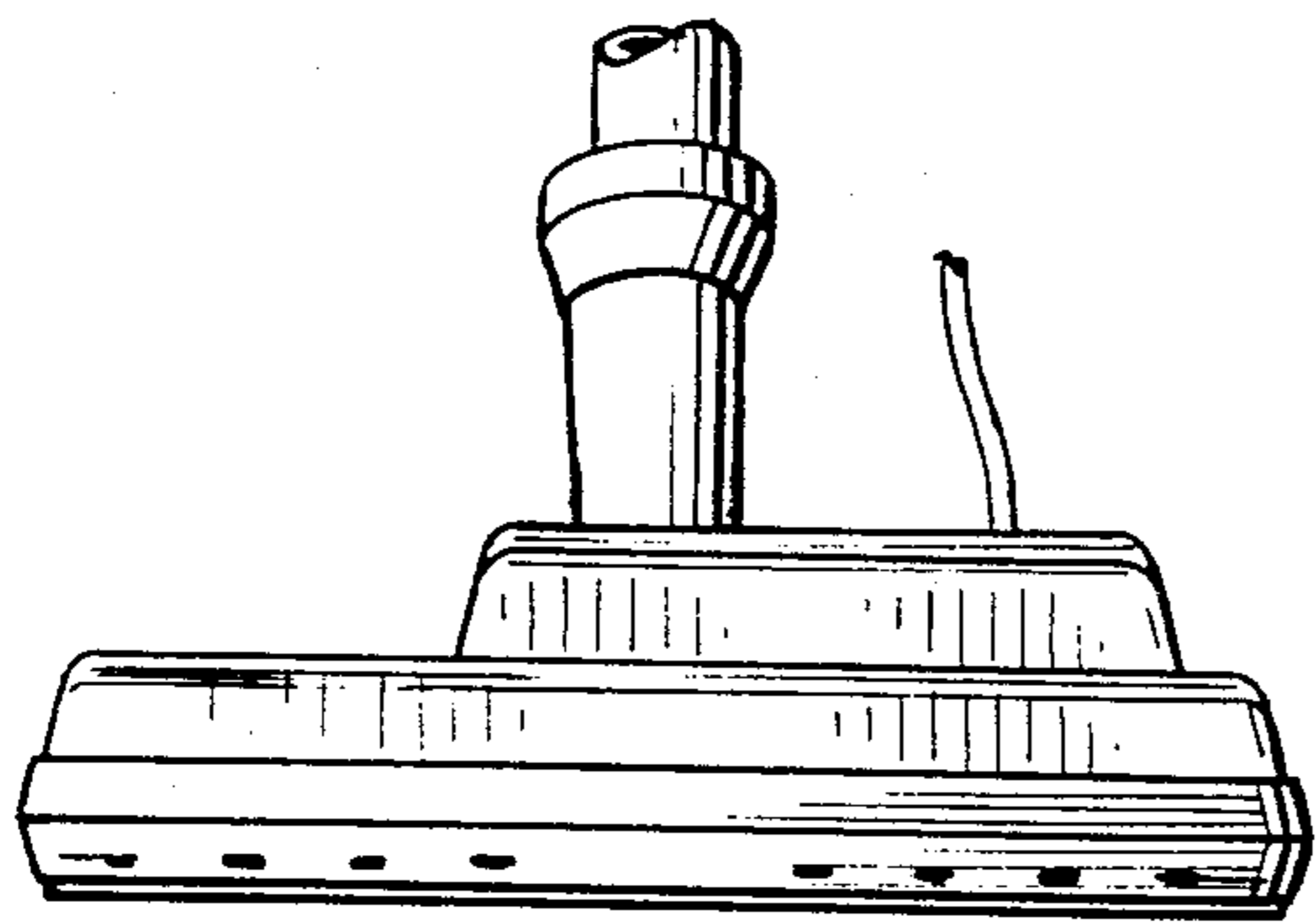


Fig. 11.

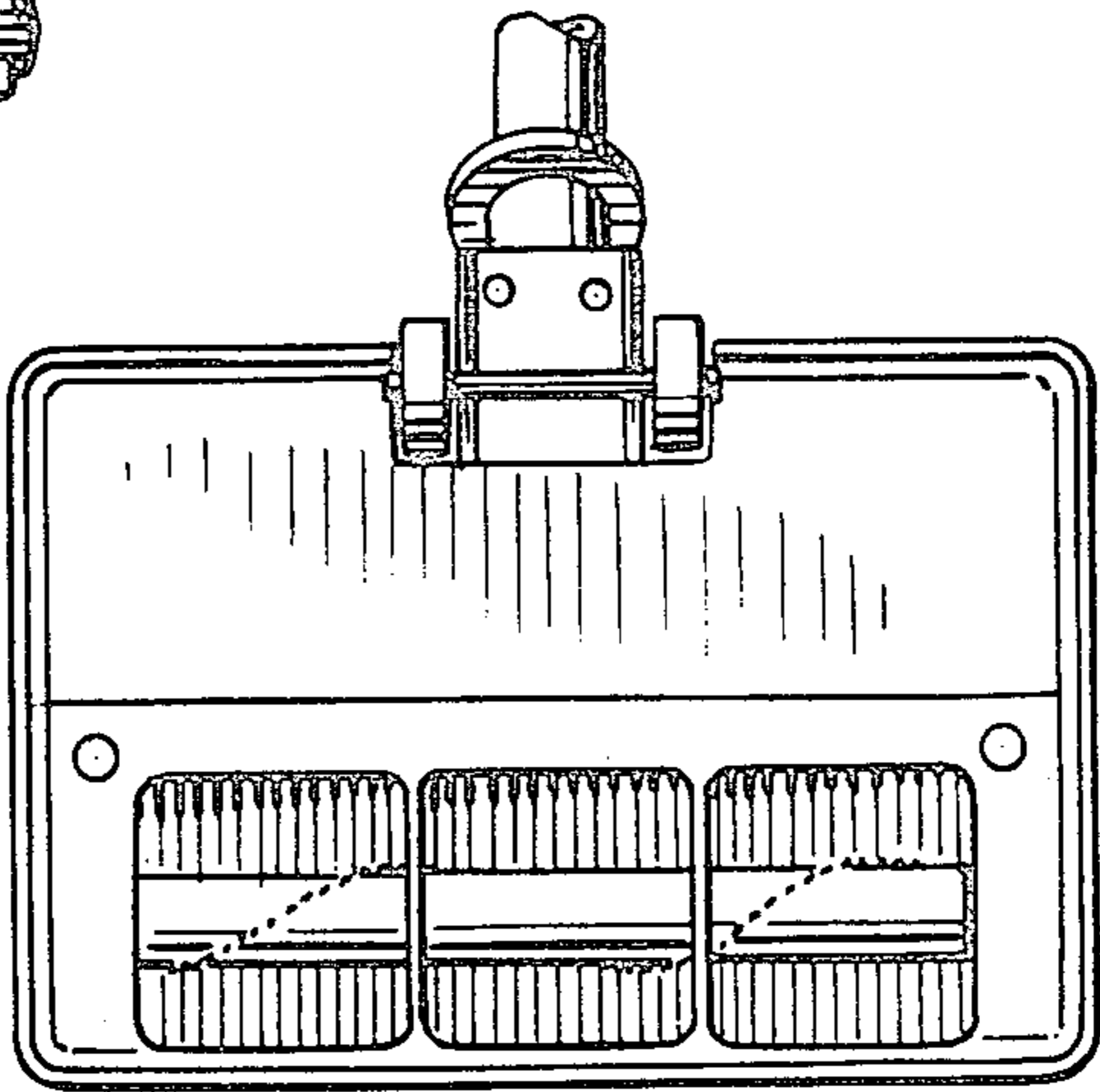
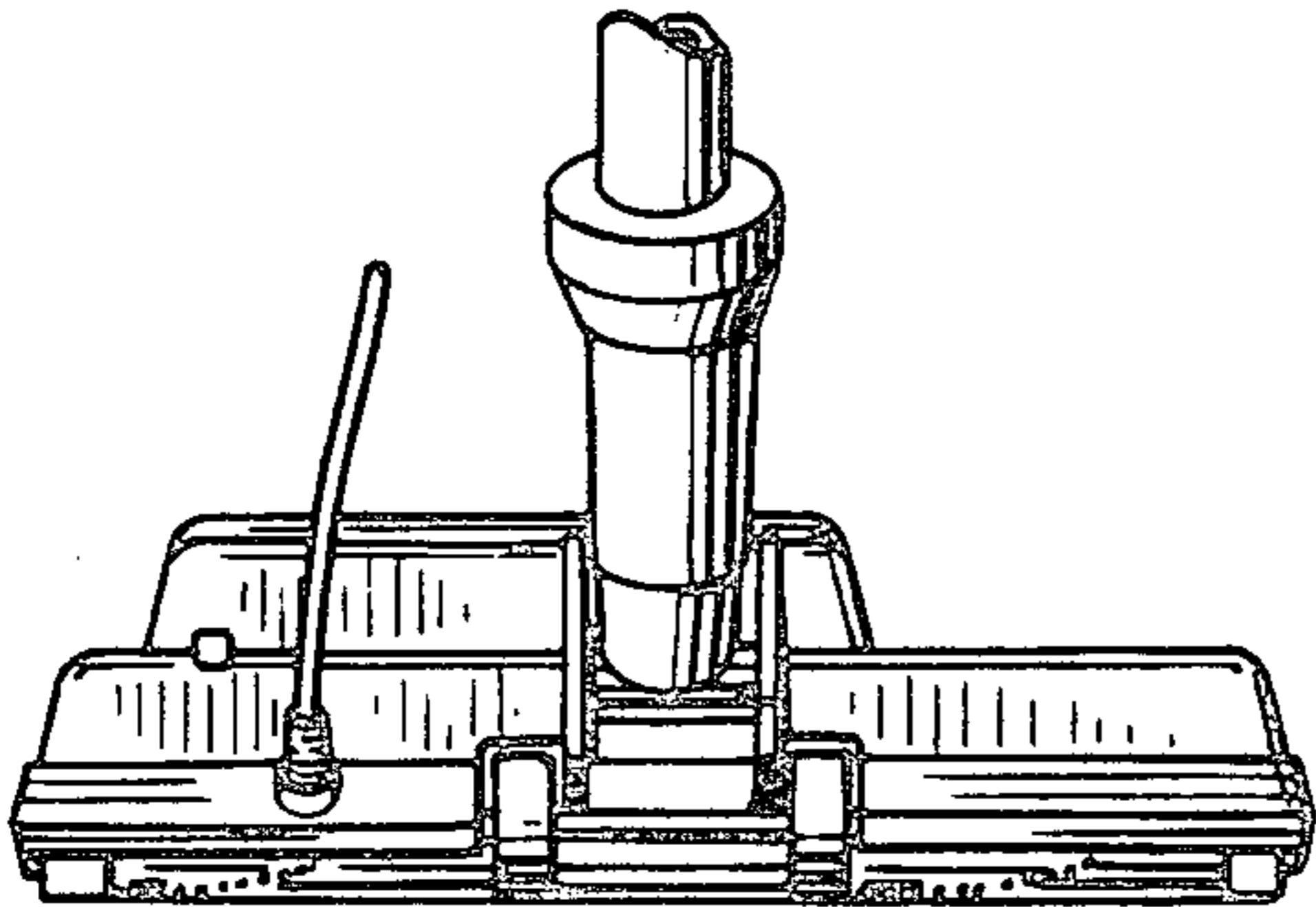


Fig. 12.

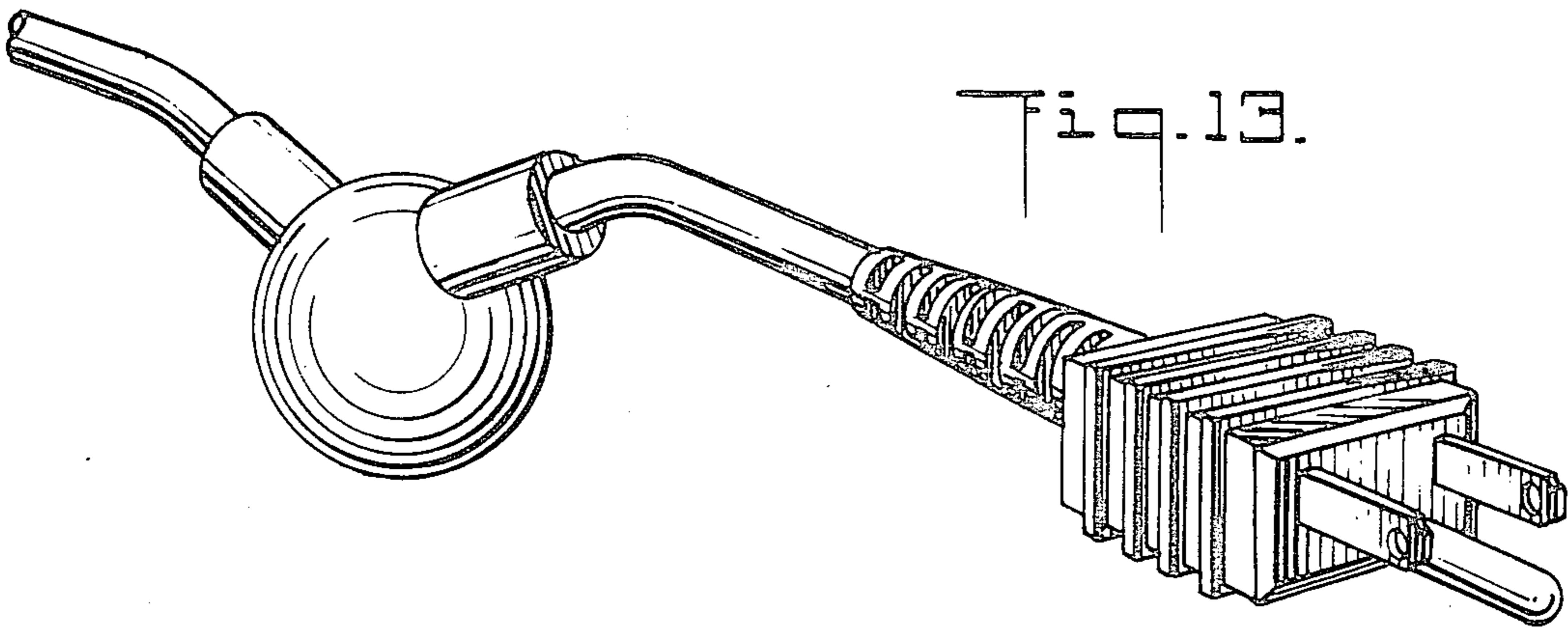


Fig. 13.

Fig. 14.

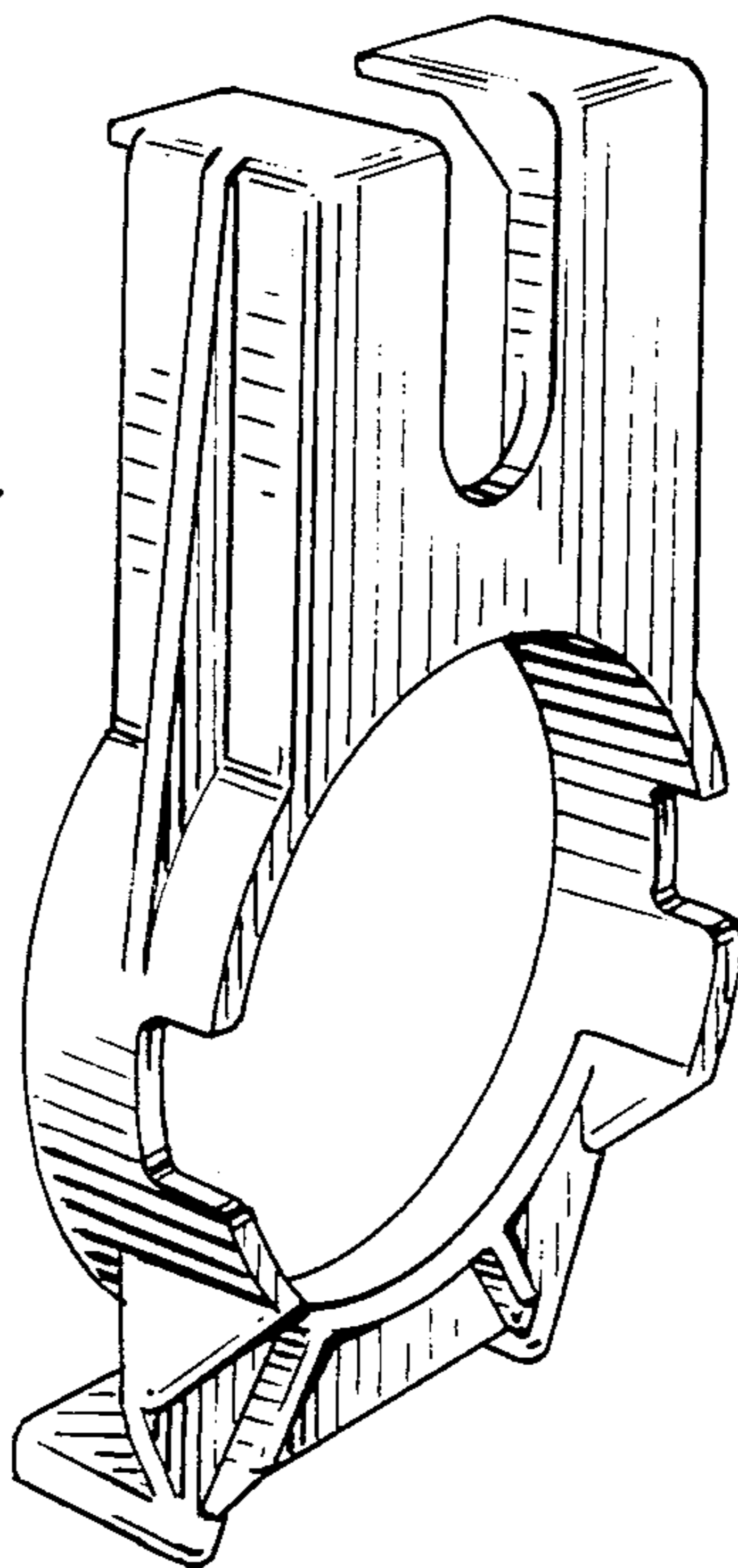


Fig. 15.

