

[54] DISPENSER FOR SOLID MATERIAL

[75] Inventors: John M. Paulovich, Hewitt; Manharbhai K. Patel, Saddle Brook, both of N.J.

[73] Assignee: Airwick Industries, Inc., Carlstadt, N.J.

[**] Term: 14 Years

[21] Appl. No.: 422,334

[22] Filed: Sep. 23, 1982

[52] U.S. Cl. D23/3; D23/150

[58] Field of Search D23/3, 149, 150; 4/222-232; 137/268; 239/34-60, 310

[56] References Cited

U.S. PATENT DOCUMENTS

D. 201,797	8/1965	Johnson	D23/3
D. 212,753	11/1968	Tughan	D23/150
D. 255,047	5/1980	Muller	D23/150
D. 268,520	4/1983	LeCaire, Jr.	D23/150
D. 268,614	4/1983	von Phillipp et al.	D23/150
D. 270,468	9/1983	Hoyt	D23/150
2,555,047	5/1951	Logue	239/57
2,555,047	0/1951	Logue	299/24

2,642,310	6/1953	Meek et al.	239/35
2,657,090	0/1953	Meek	299/24
2,836,462	0/1958	Wenner	299/24
3,286,872	0/1966	Burdick	220/41
4,103,367	8/1978	Kaufer	4/222
4,244,062	1/1981	Corsette	D23/3 X
4,428,892	1/1984	Berliner	239/55 X

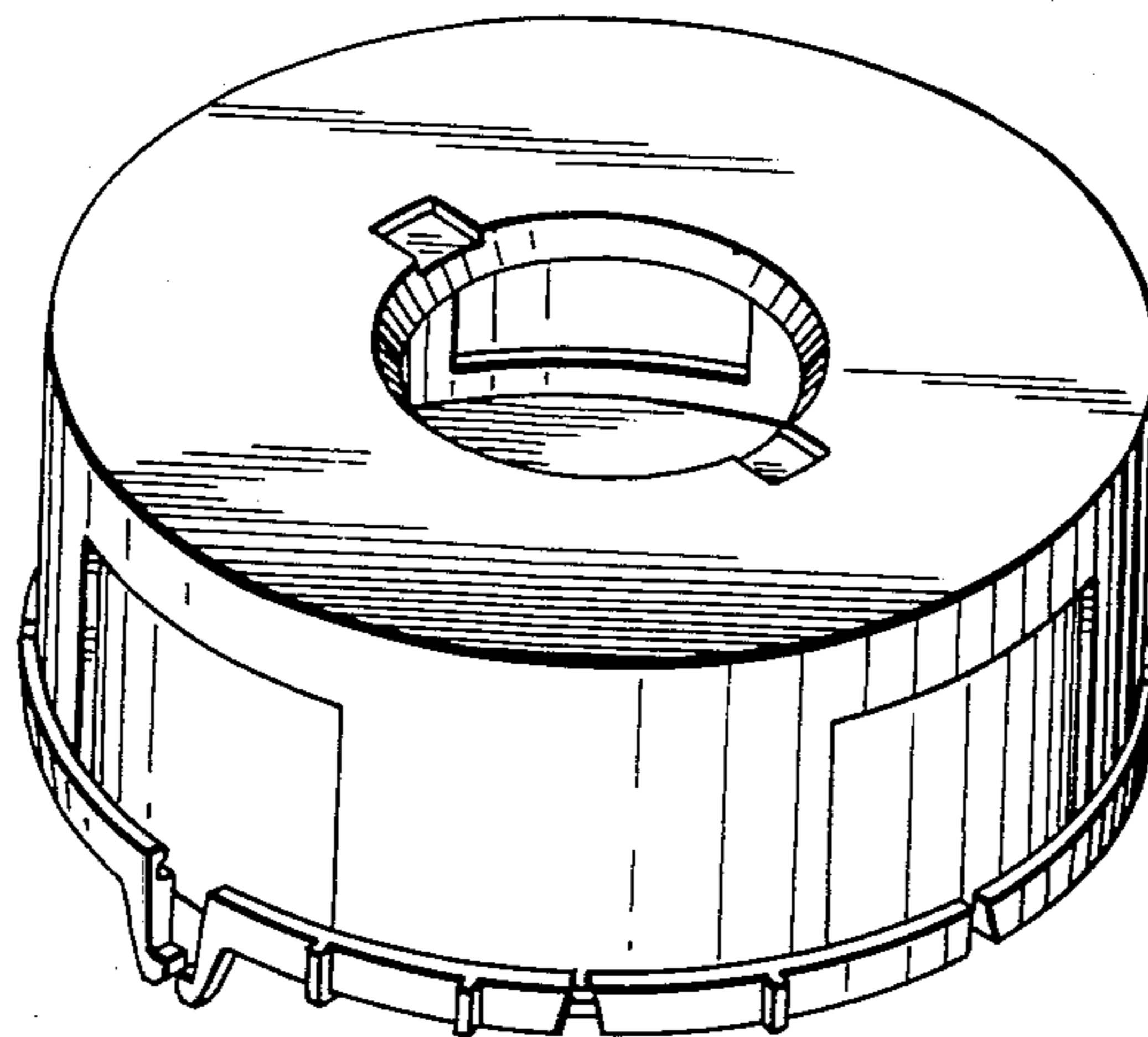
Primary Examiner—James R. Largen
Attorney, Agent, or Firm—Harry Falber

[57] CLAIM

The ornamental design for dispenser for solid material, as shown and described.

DESCRIPTION

FIG. 1 is a top perspective view of a dispenser for solid material showing our new design; FIG. 2 is a top plan view thereof; FIG. 3 is a side elevational view thereof, the opposite side being a mirror image of the side shown; FIG. 4 is a side elevational view taken ninety degrees from the side shown in FIG. 3, the opposite side being the same as the side shown; FIG. 5 is a bottom plan view thereof; and FIG. 6 is a top perspective view thereof showing the dispenser in a partially open position.



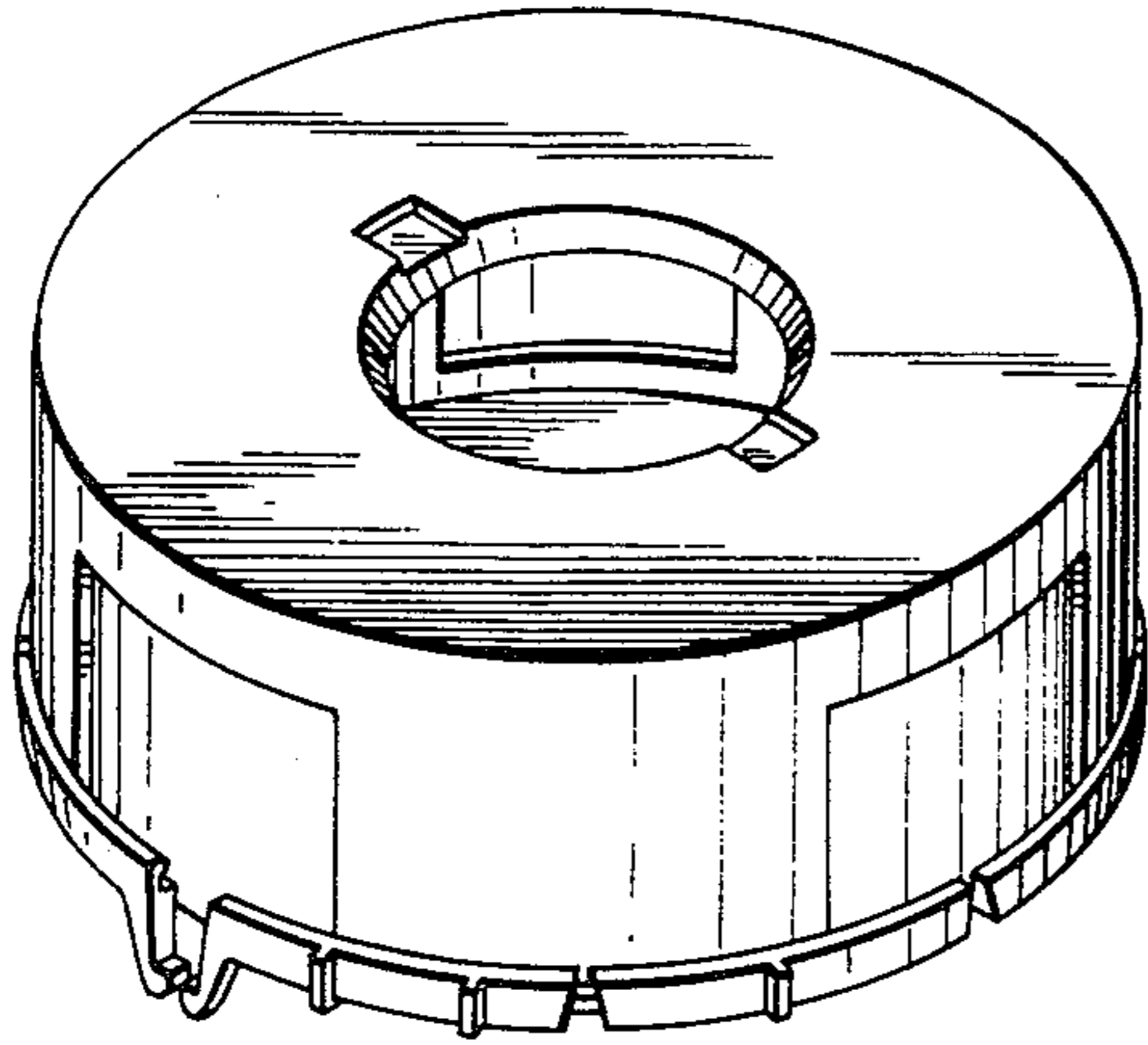


FIG. 1

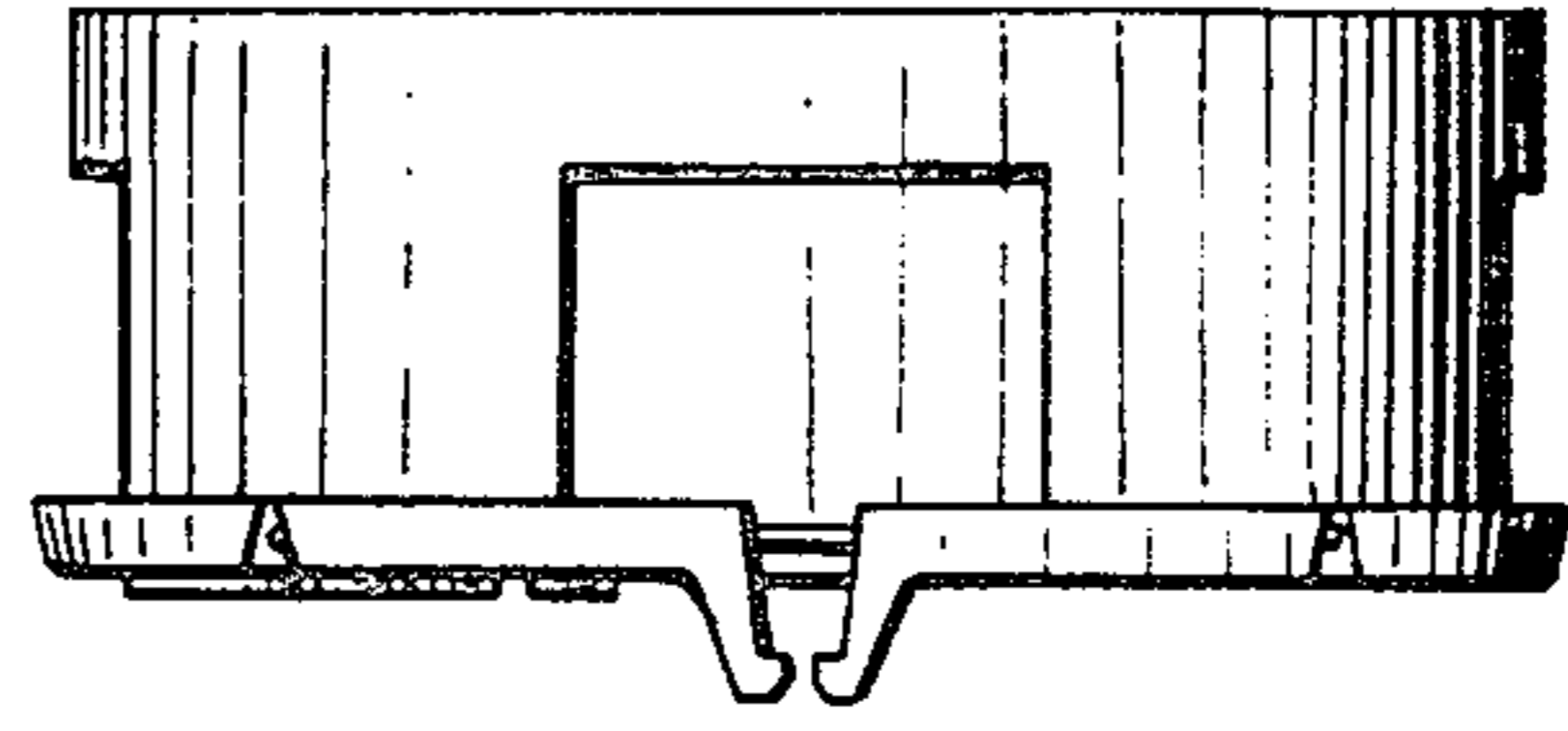


FIG. 4

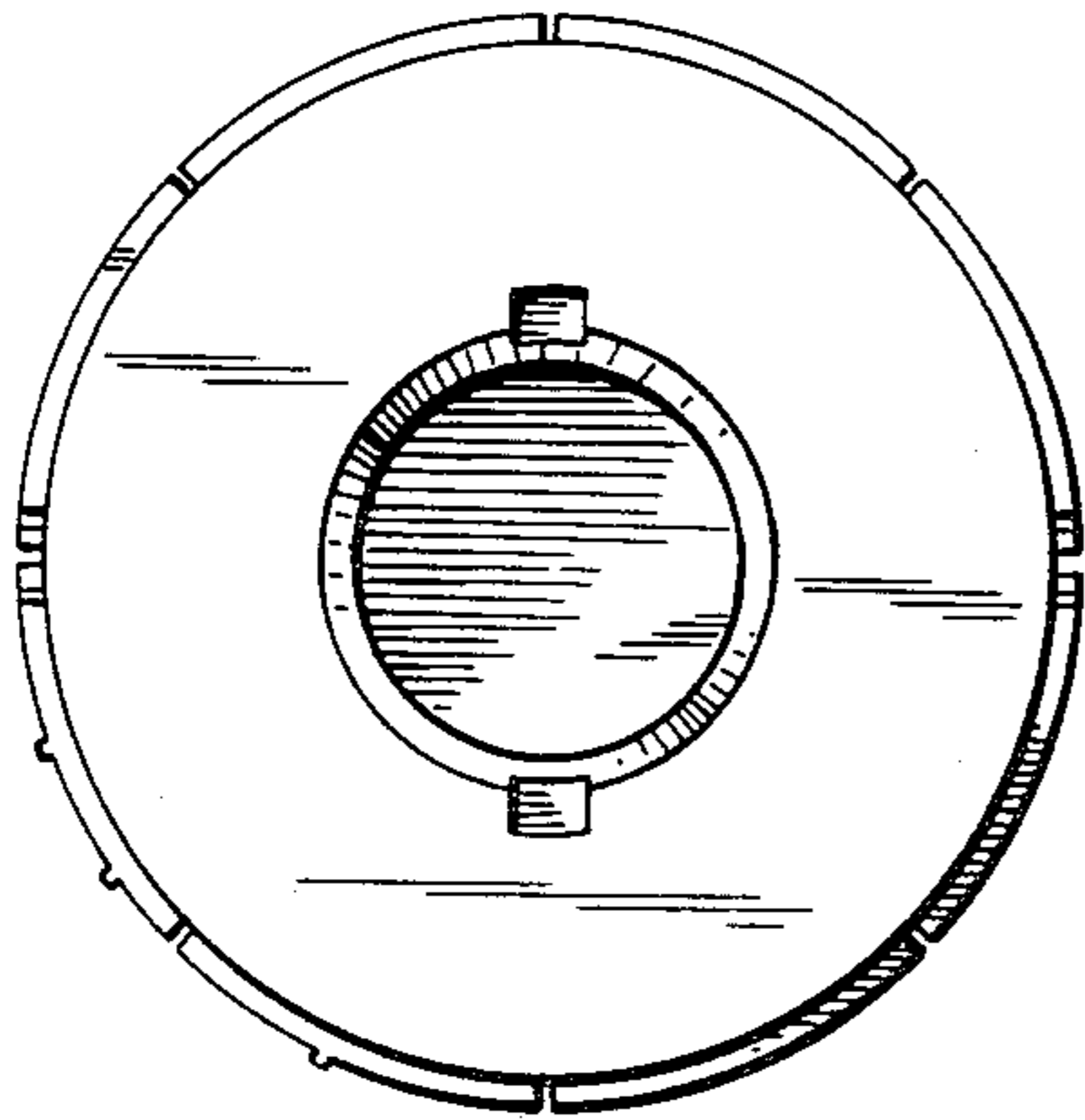


FIG. 2

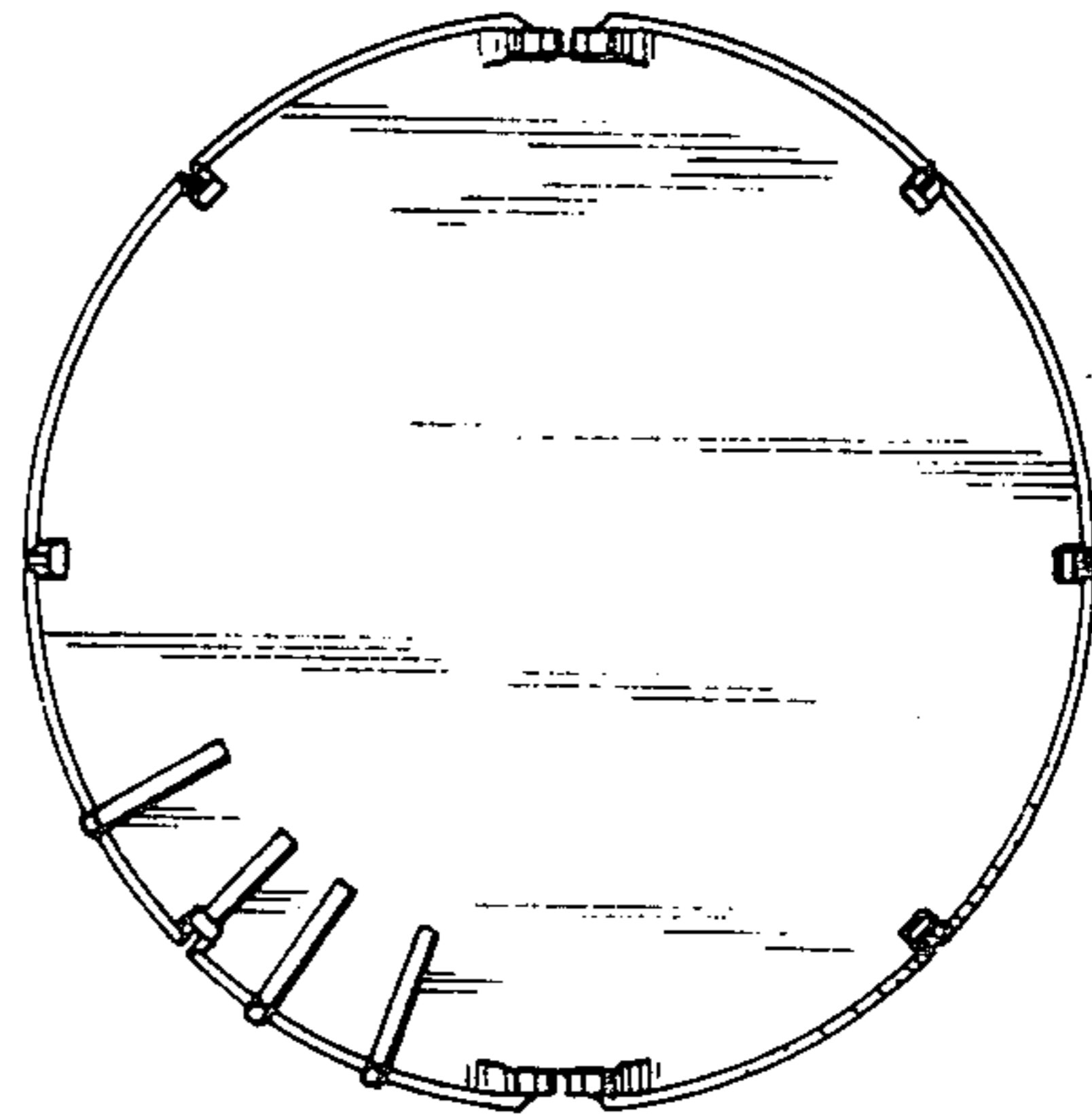


FIG. 5

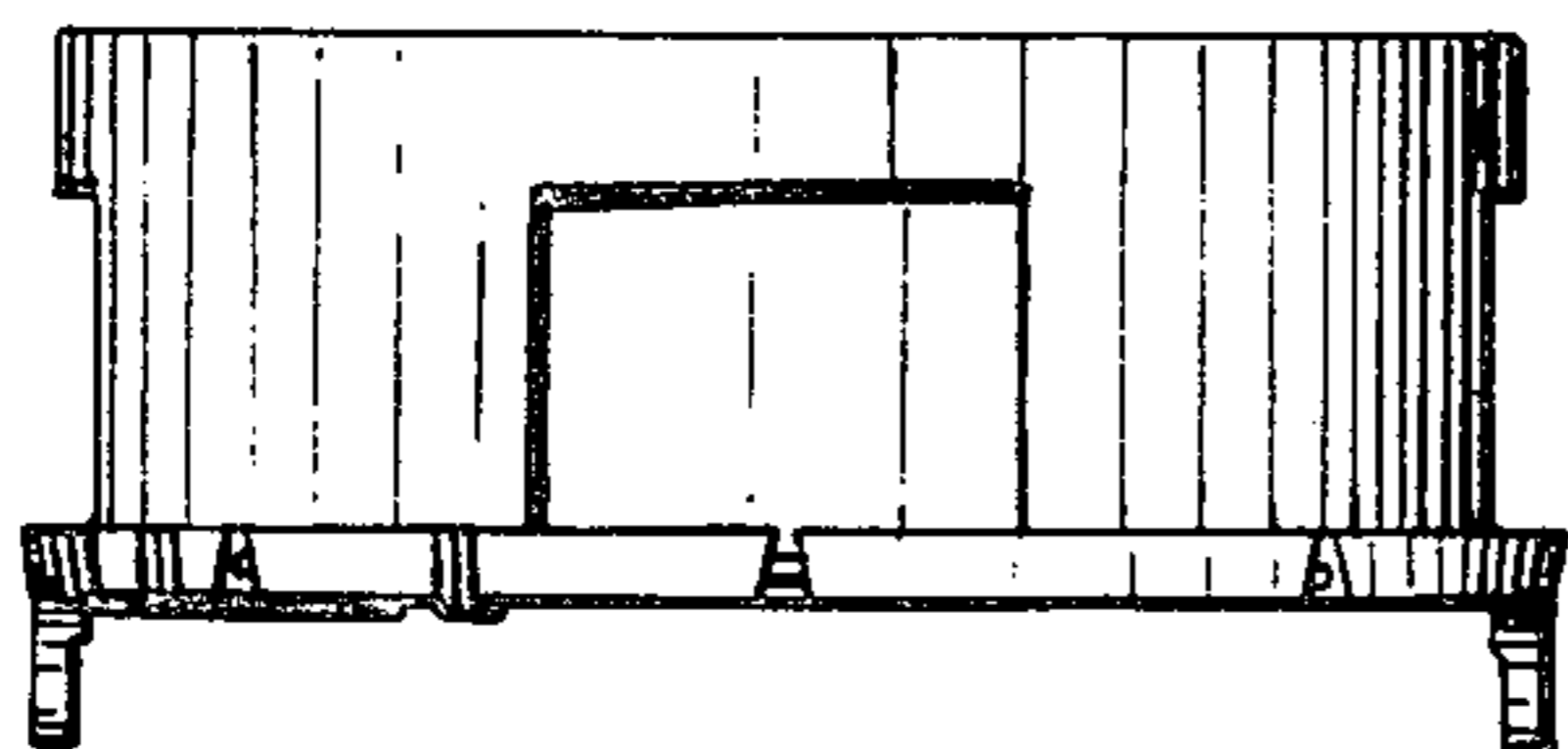


FIG. 3

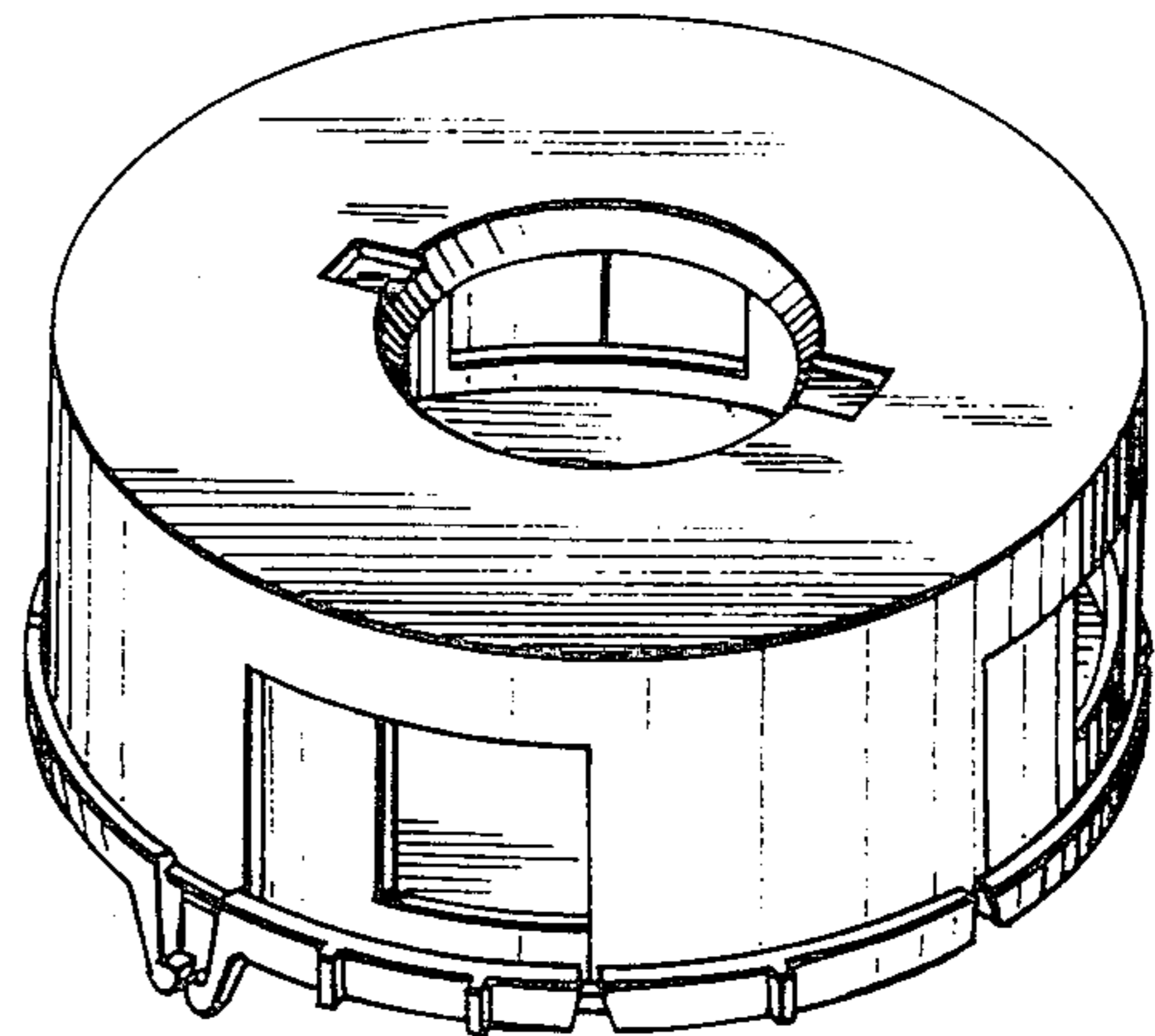


FIG. 6