

[54] **CONSTRUCTION TOY FIGURE**

[75] **Inventors: Bonnie Zacherle, Norwood, Mass.;
Ken Nichols, Providence, R.I.;
Elizabeth Knight, Milton, Mass.**

[73] **Assignee: Hasbro Industries, Inc., Pawtucket,
R.I.**

[**] **Term: 14 Years**

[21] **Appl. No.: 464,767**

[22] **Filed: Feb. 7, 1983**

[52] **U.S. Cl. D21/166; D21/108;
D21/190**

[58] **Field of Search D21/155, 190, 108, 166;
446/100, 75, 77**

[56] **References Cited**

U.S. PATENT DOCUMENTS

2,019,516 11/1935 Weinberg 446/100
3,452,473 7/1969 Convertine 446/100

FOREIGN PATENT DOCUMENTS

58068 6/1937 Norway 446/101

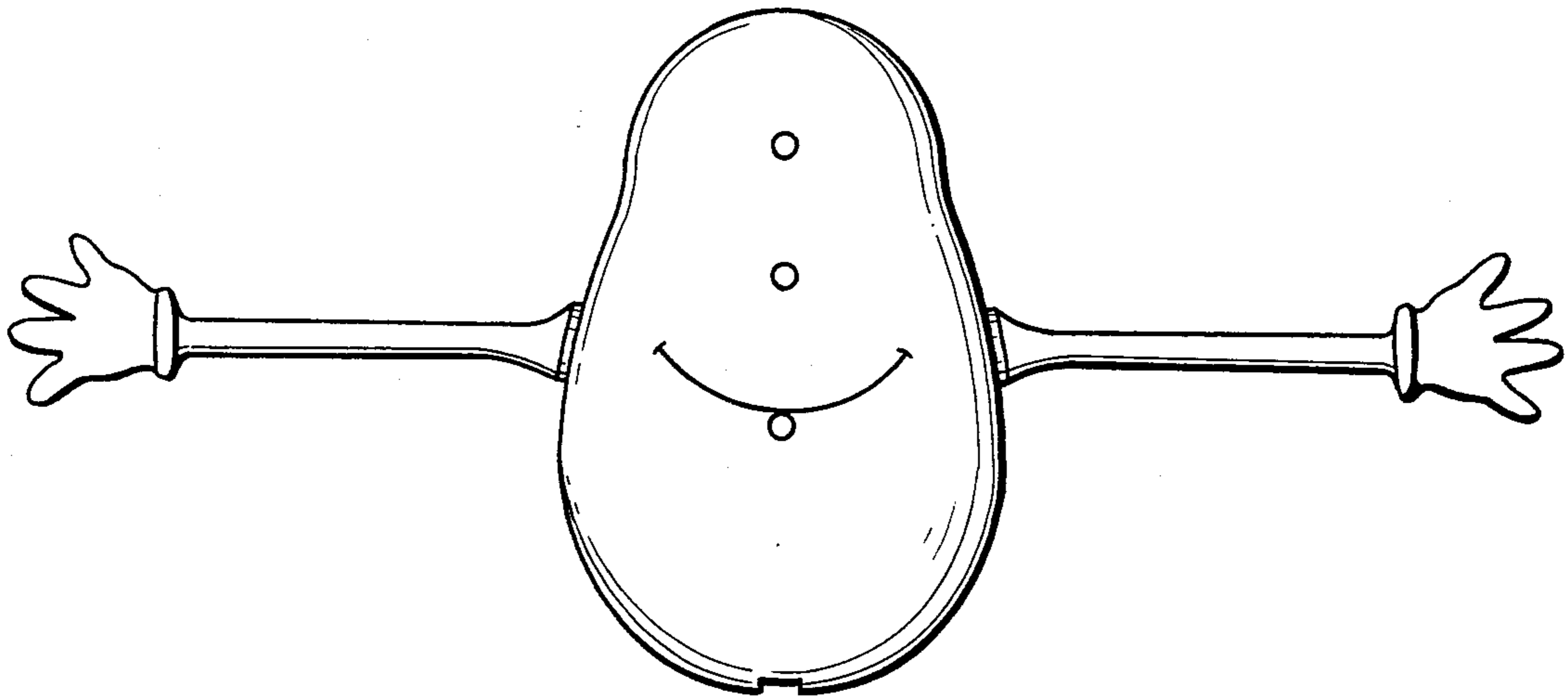
Primary Examiner—Melvin B. Feifer
Attorney, Agent, or Firm—Salter & Michaelson

[57] **CLAIM**

The ornamental design for a construction toy figure, substantially as shown.

DESCRIPTION

FIG. 1 is a front elevational view of a construction toy figure showing our new design;
FIG. 2 is a top plan view thereof;
FIG. 3 is a bottom plan view thereof;
FIG. 4 is a rear elevational view thereof; and
FIG. 5 is a side elevational view thereof.



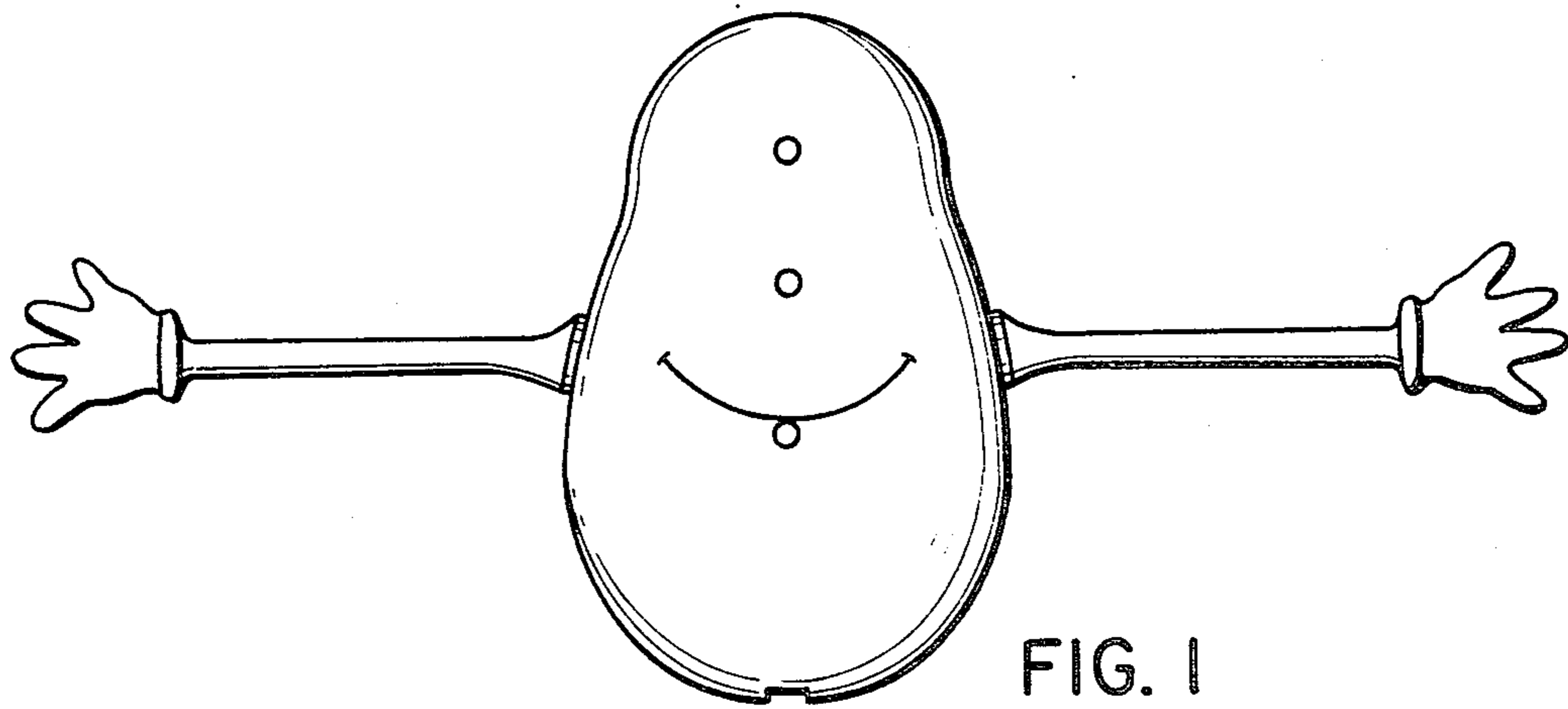


FIG. 1

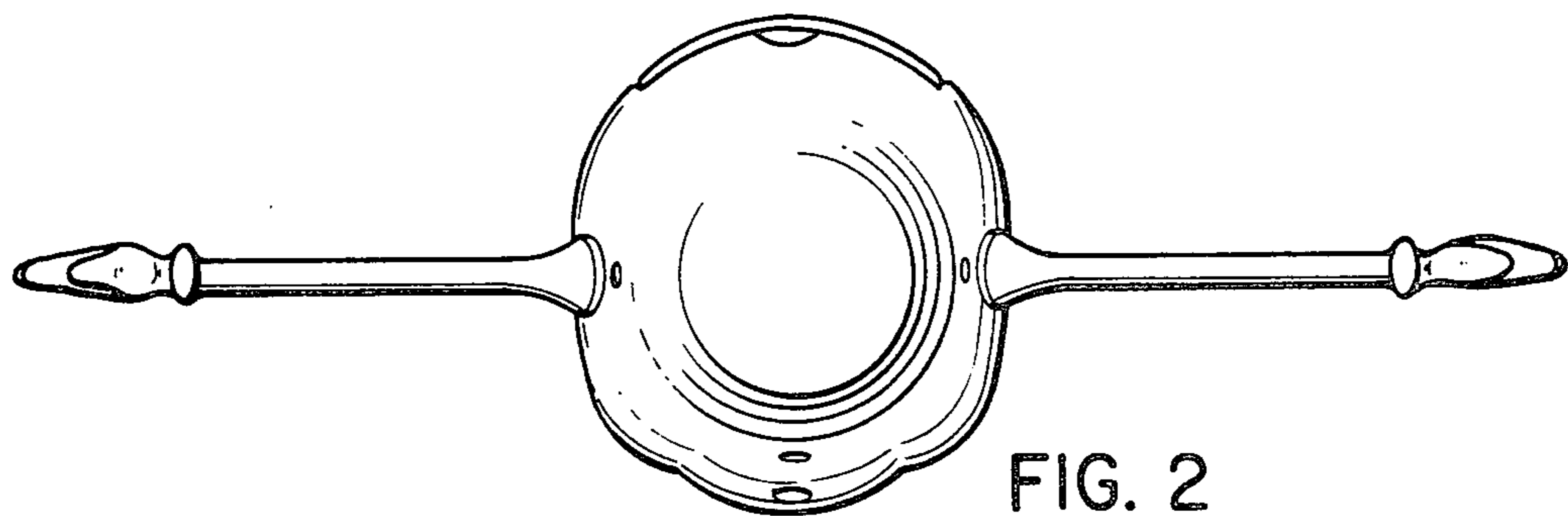


FIG. 2

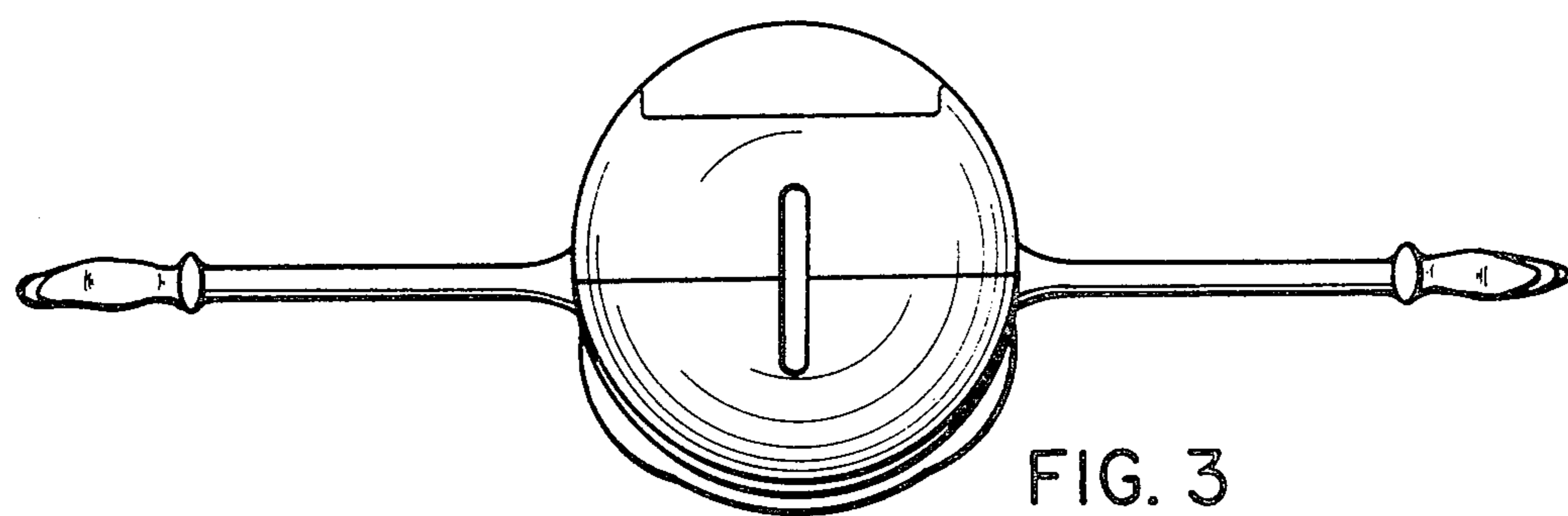


FIG. 3

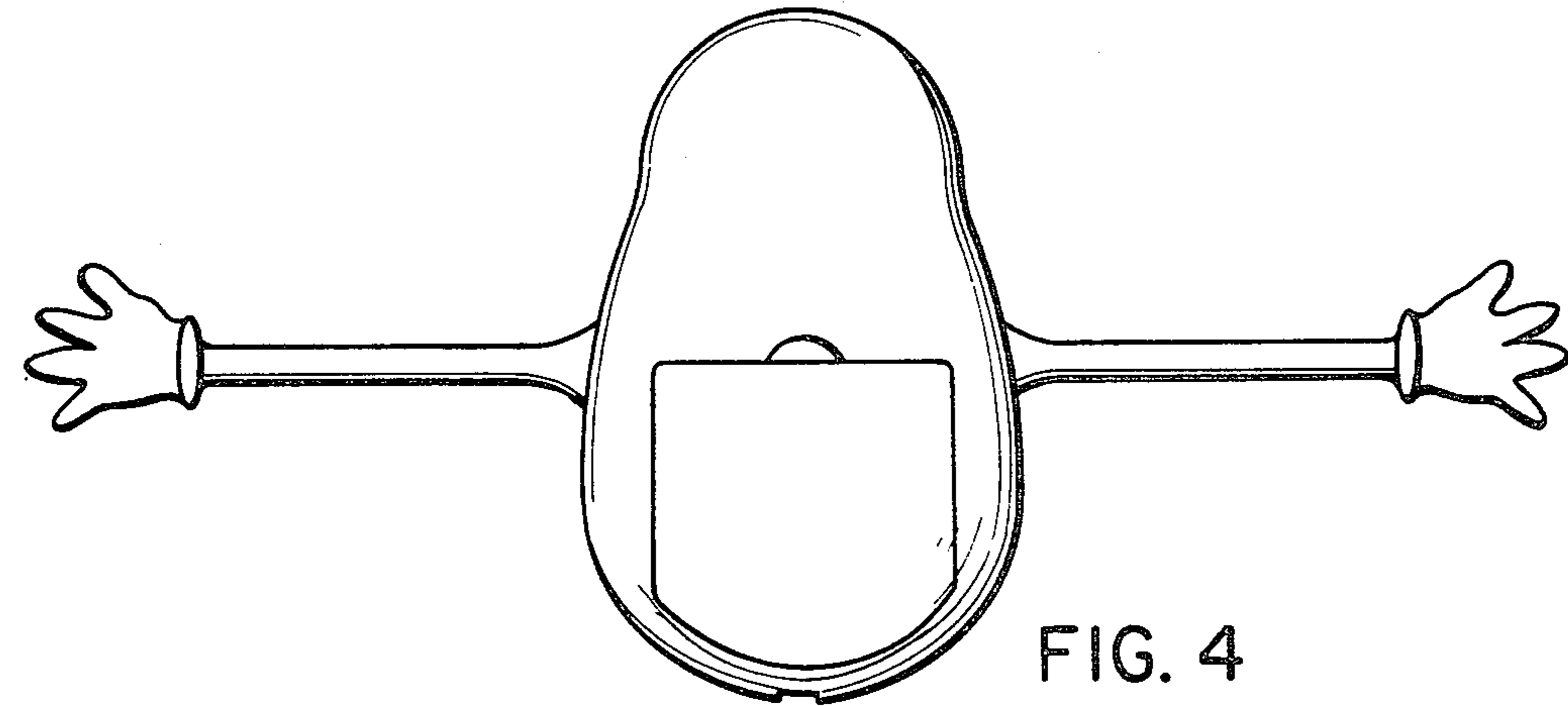


FIG. 4

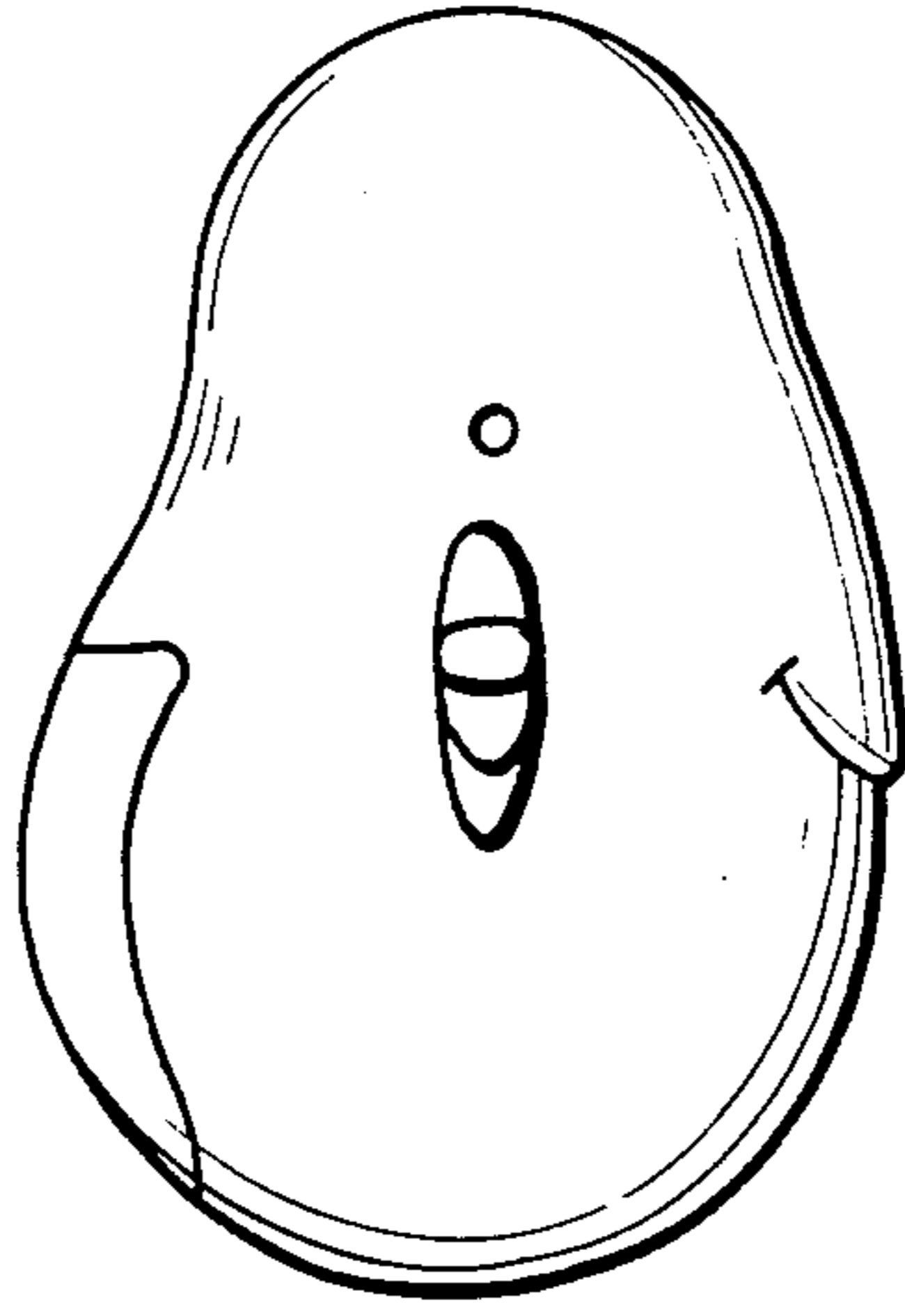


FIG. 5