

[54] **ARCADE GAME CABINET**

D. 248,885 8/1978 Pogue D21/13

[75] Inventors: **Eric Jansons, Schaumburg; Stanley W. Jarocki, Rolling Meadows; Walter A. Godlewski, Maywood, all of Ill.**

[73] Assignee: **Bally Manufacturing Corporation, Chicago, Ill.**

[**] Term: **14 Years**

[21] Appl. No.: **501,448**

[22] Filed: **Jun. 6, 1983**

[52] U.S. Cl. **D21/13**

[58] Field of Search **D21/13, 1; 273/85 G, 273/DIG. 28, 1 E**

[56] **References Cited**

U.S. PATENT DOCUMENTS

D. 242,568 11/1976 Takaichi D21/13

OTHER PUBLICATIONS

Vending Times, Jul. 1982, p. 45, Game Cabinet.

Primary Examiner—Melvin B. Feifer

Attorney, Agent, or Firm—Todd S. Parkhurst

[57] **CLAIM**

The ornamental design for an arcade game cabinet, as shown and described.

DESCRIPTION

FIG. 1 is a perspective view of the arcade game cabinet showing our new design.

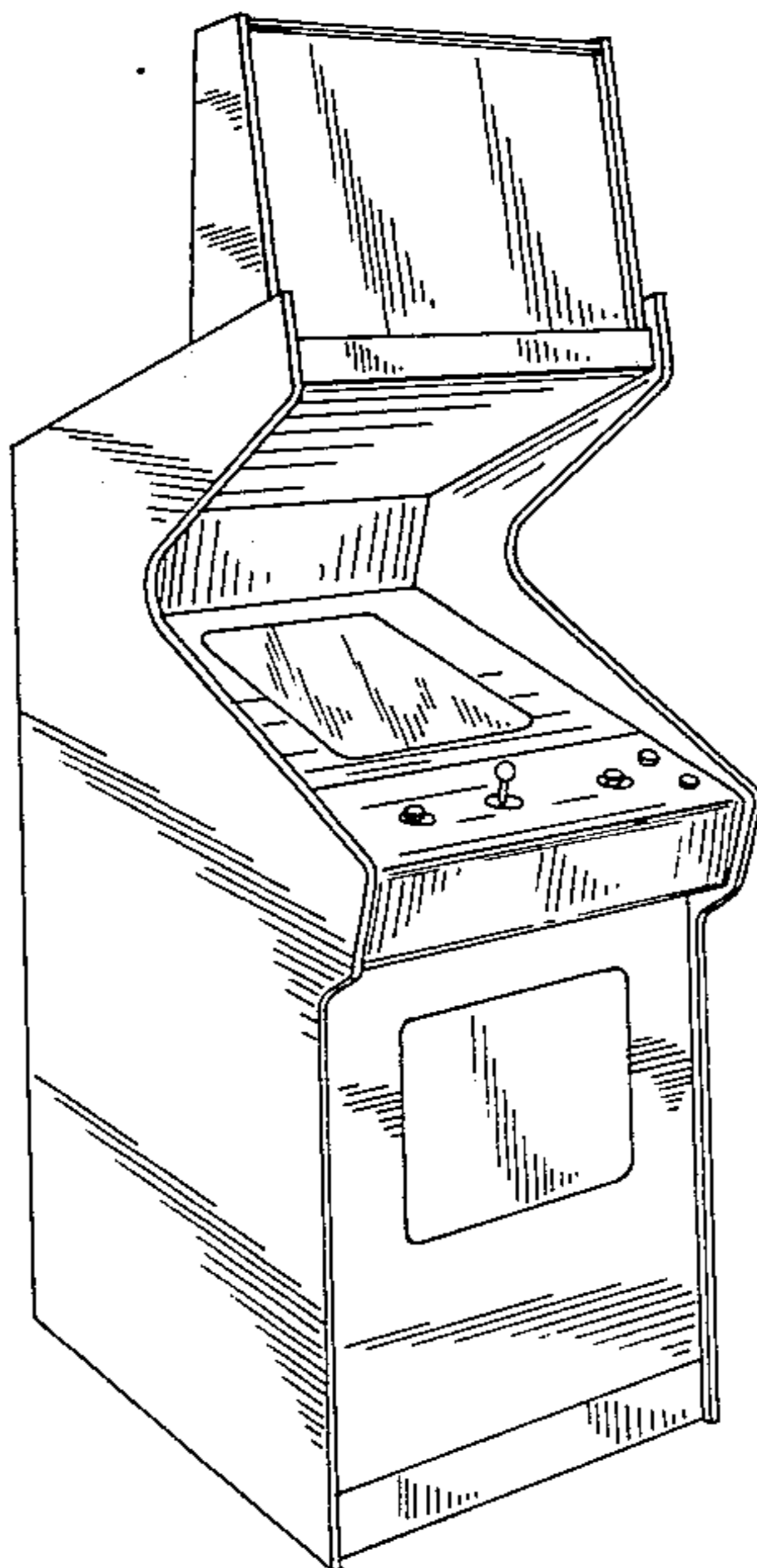
FIG. 2 is a side view of the arcade game cabinet, with the opposite side being essentially the same.

FIG. 3 is a front view of the arcade game cabinet.

FIG. 4 is a rear view of the arcade game cabinet.

FIG. 5 is a top view of the arcade game cabinet.

FIG. 6 is a bottom view of the arcade game cabinet.



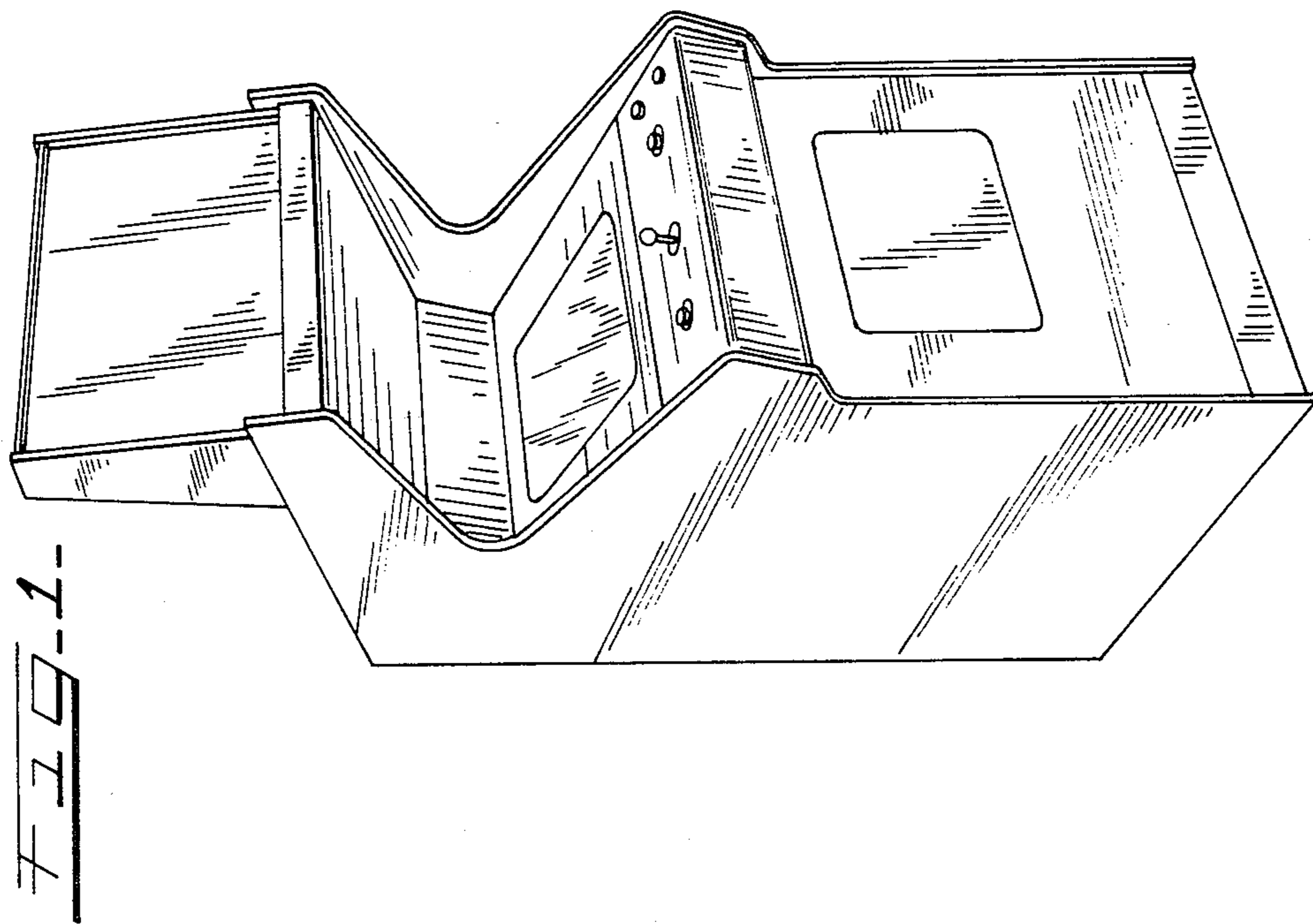
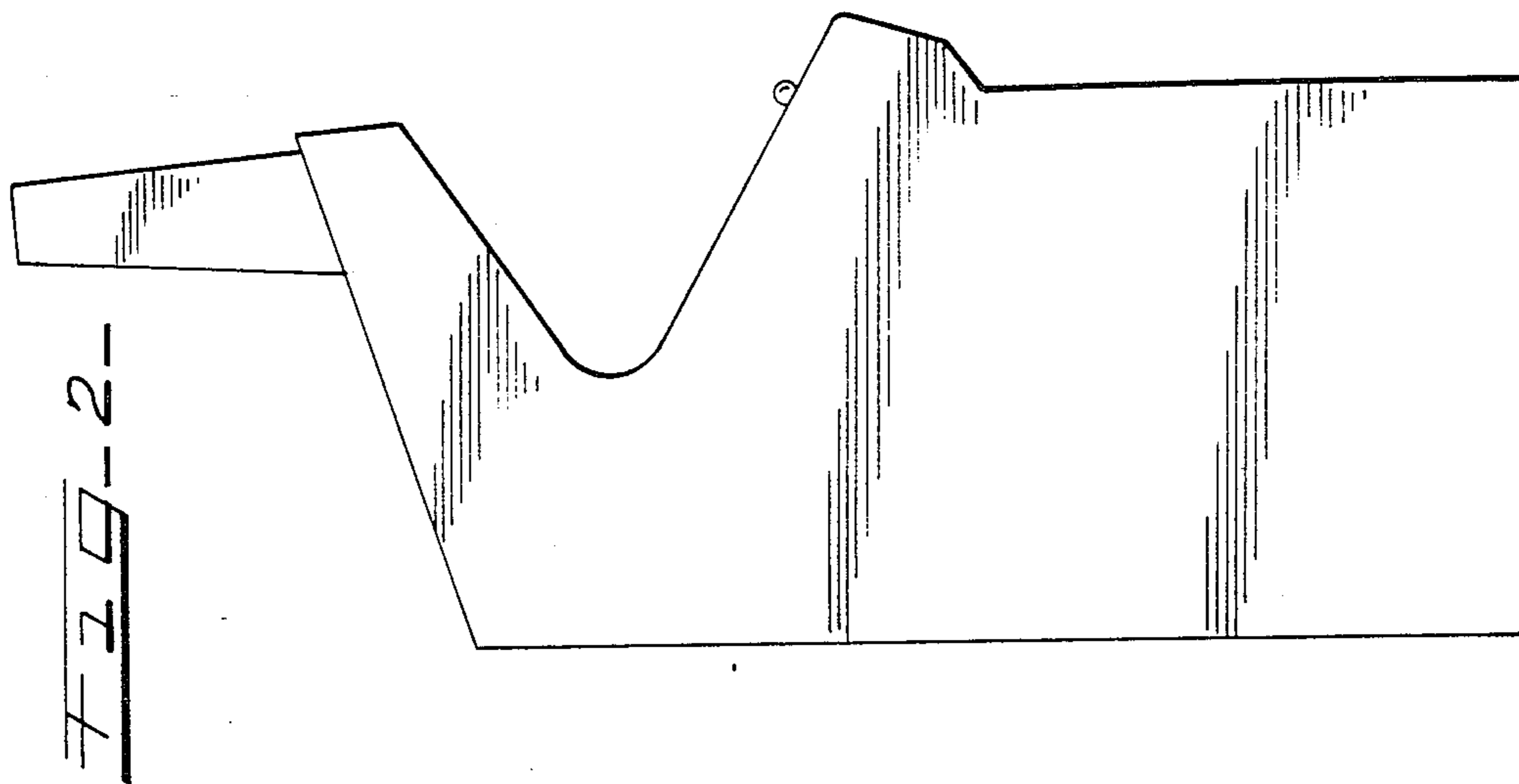


FIG-4-

FIG-5-

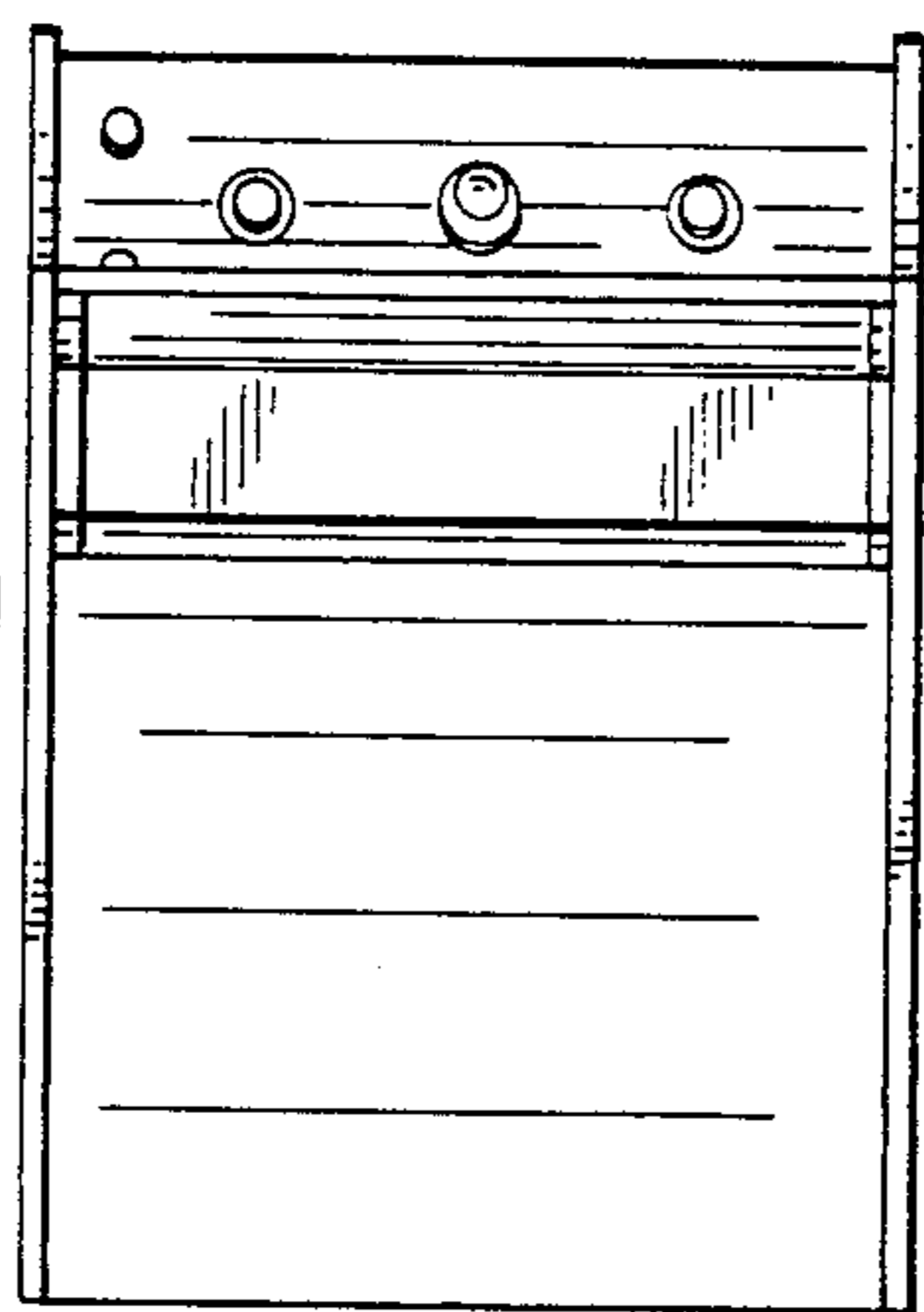


FIG-6-

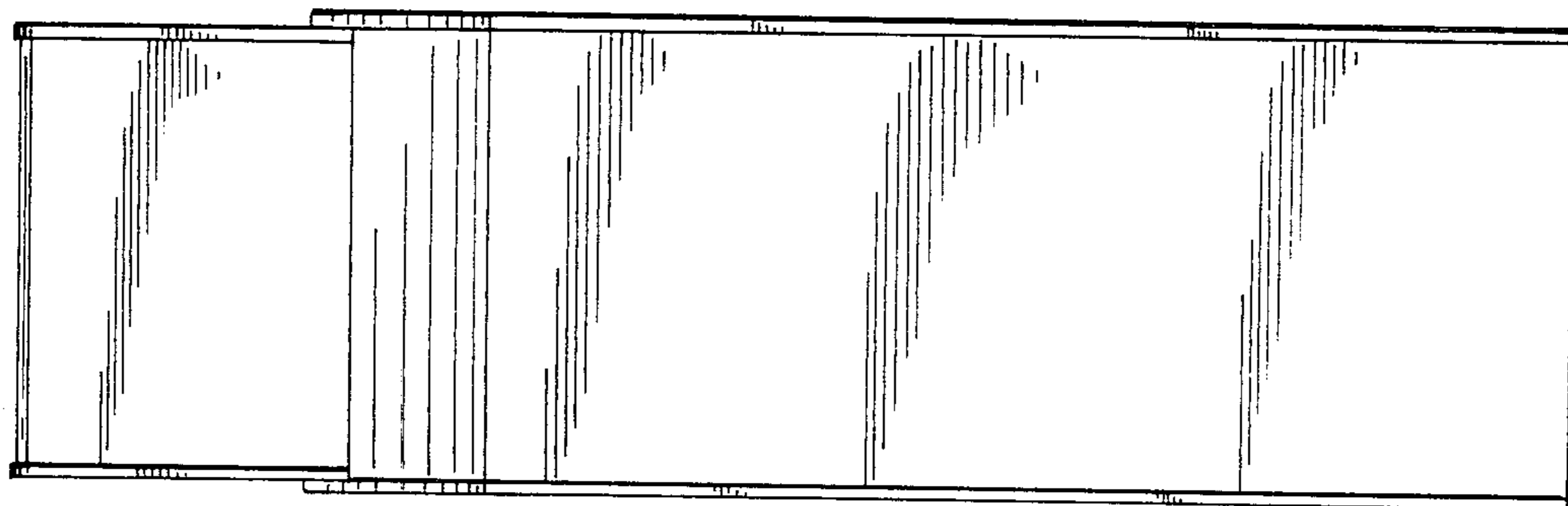
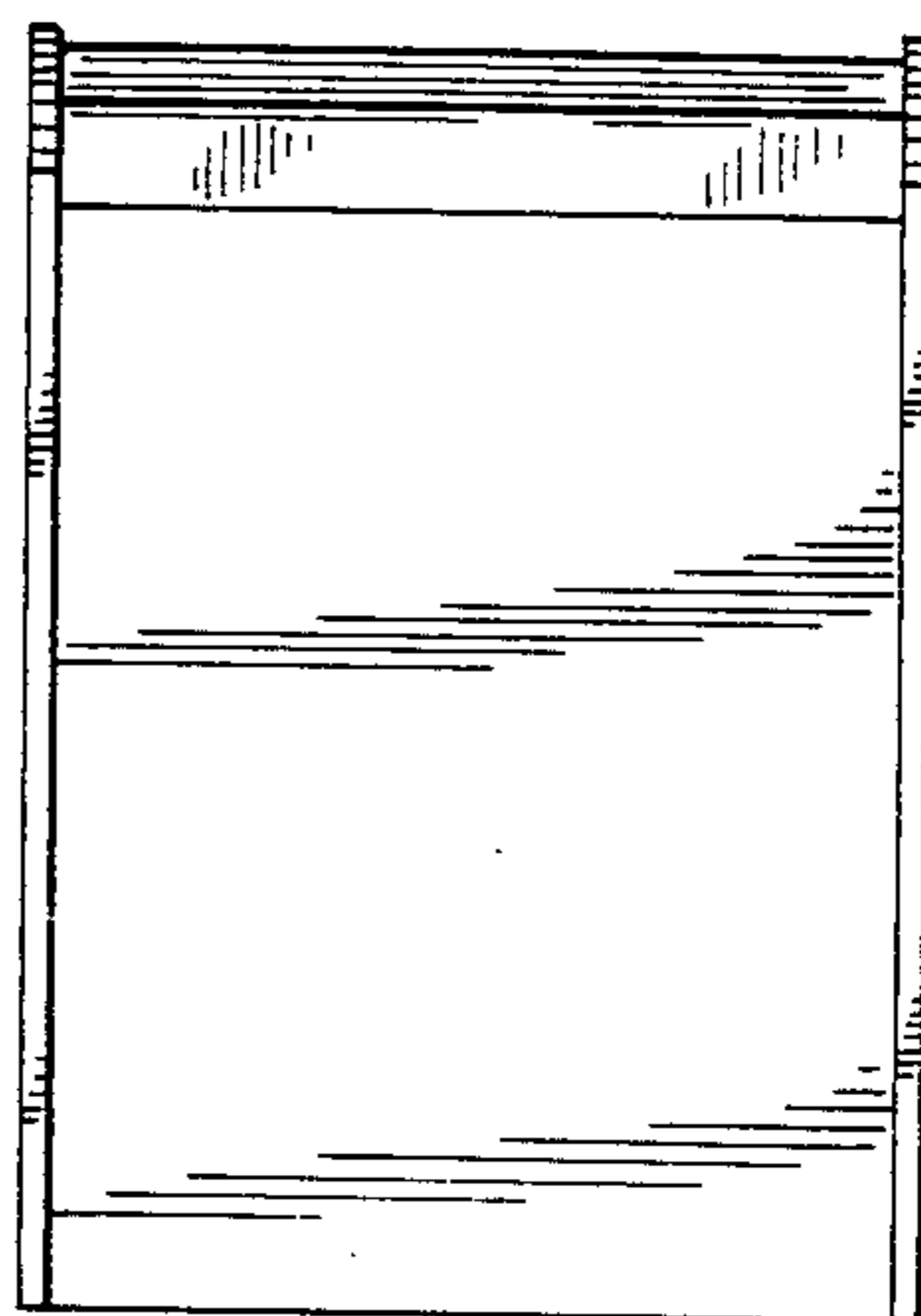


FIG-3-

