

[54] VENDING MACHINE COIN BOX

[76] Inventor: Nathan D. Johnson, 9808 Knox, Overland Park, Kans. 66212

[**] Term: 14 Years

[21] Appl. No.: 504,574

[22] Filed: Jun. 15, 1983

[52] U.S. Cl. D20/9

[58] Field of Search D20/1-9; 194/1 A, 1 B, 1 D

[56] References Cited

U.S. PATENT DOCUMENTS

D. 127,005	5/1941	Melchert	D20/8
D. 157,933	4/1950	Ball	D20/1
3,083,896	4/1963	Cairelli et al.	D20/9 X
3,239,046	3/1966	McGoldrick	194/1 B
3,905,460	9/1975	Greenwald et al.	194/1 B

3,927,750 12/1975 Greenwald et al. 194/1 A X

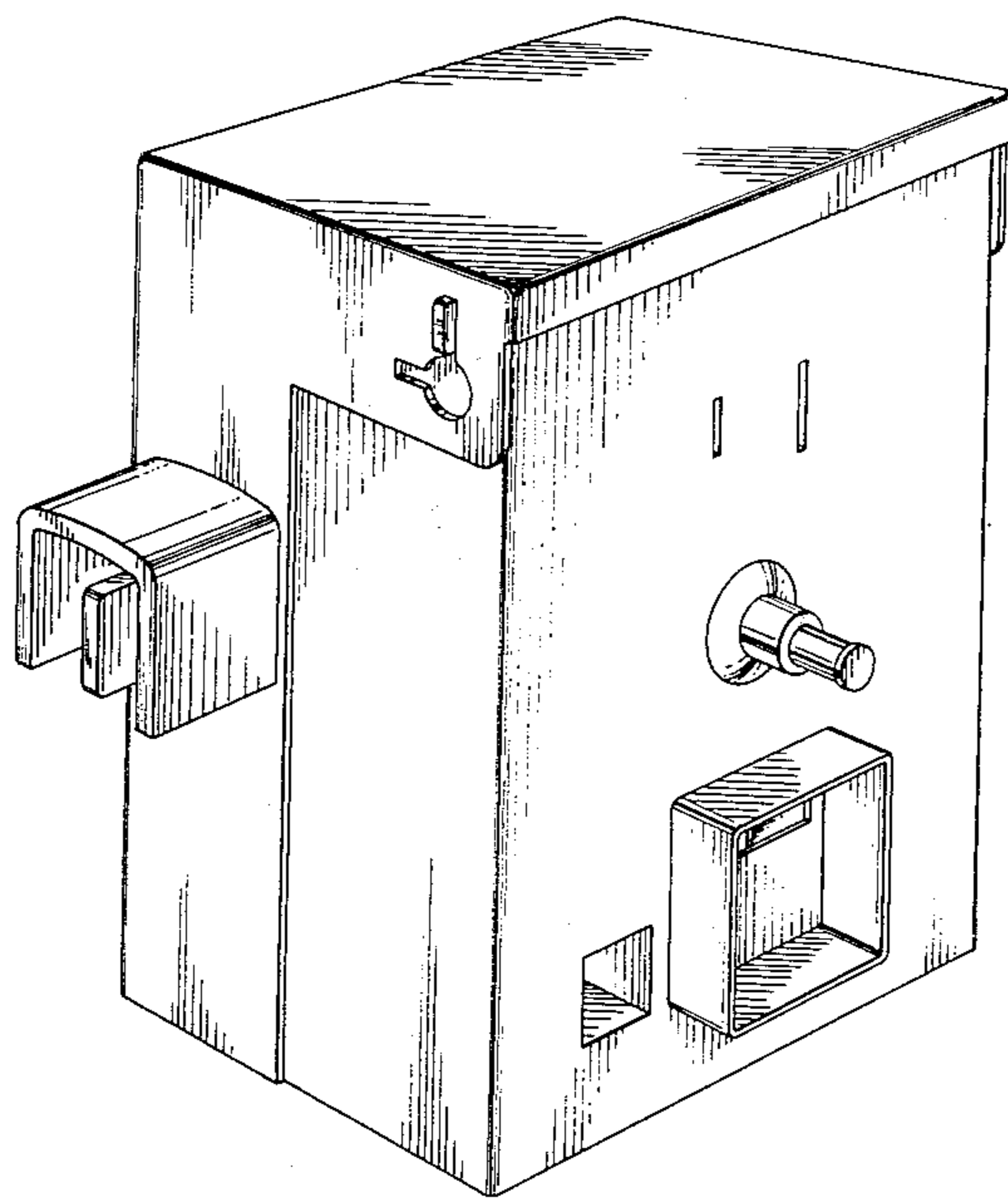
Primary Examiner—Bernard Ansher
Assistant Examiner—Linda Titolo
Attorney, Agent, or Firm—Kokjer, Kircher, Bradley, Wharton, Bowman & Johnson

[57] CLAIM

The ornamental design for a vending machine coin box, as shown and described.

DESCRIPTION

FIG. 1 is a front elevational view of a vending machine coin box showing my new design; FIG. 2 is a left side elevational view thereof; FIG. 3 is a right side elevational view thereof; FIG. 4 is a top plan view thereof; FIG. 5 is a bottom plan view thereof; FIG. 6 is a rear elevational view thereof; and FIG. 7 is a top front perspective view thereof.



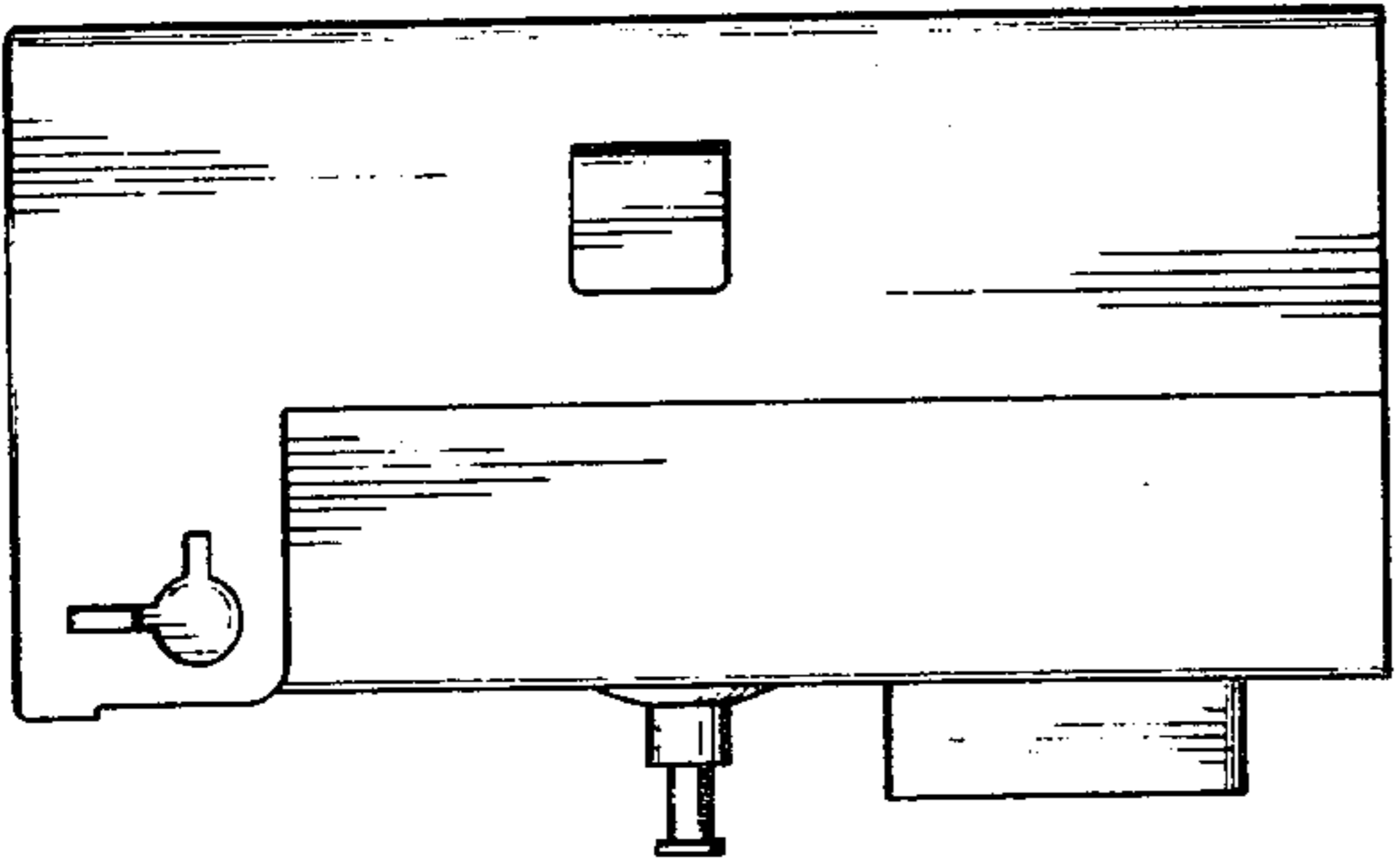


Fig. 3.

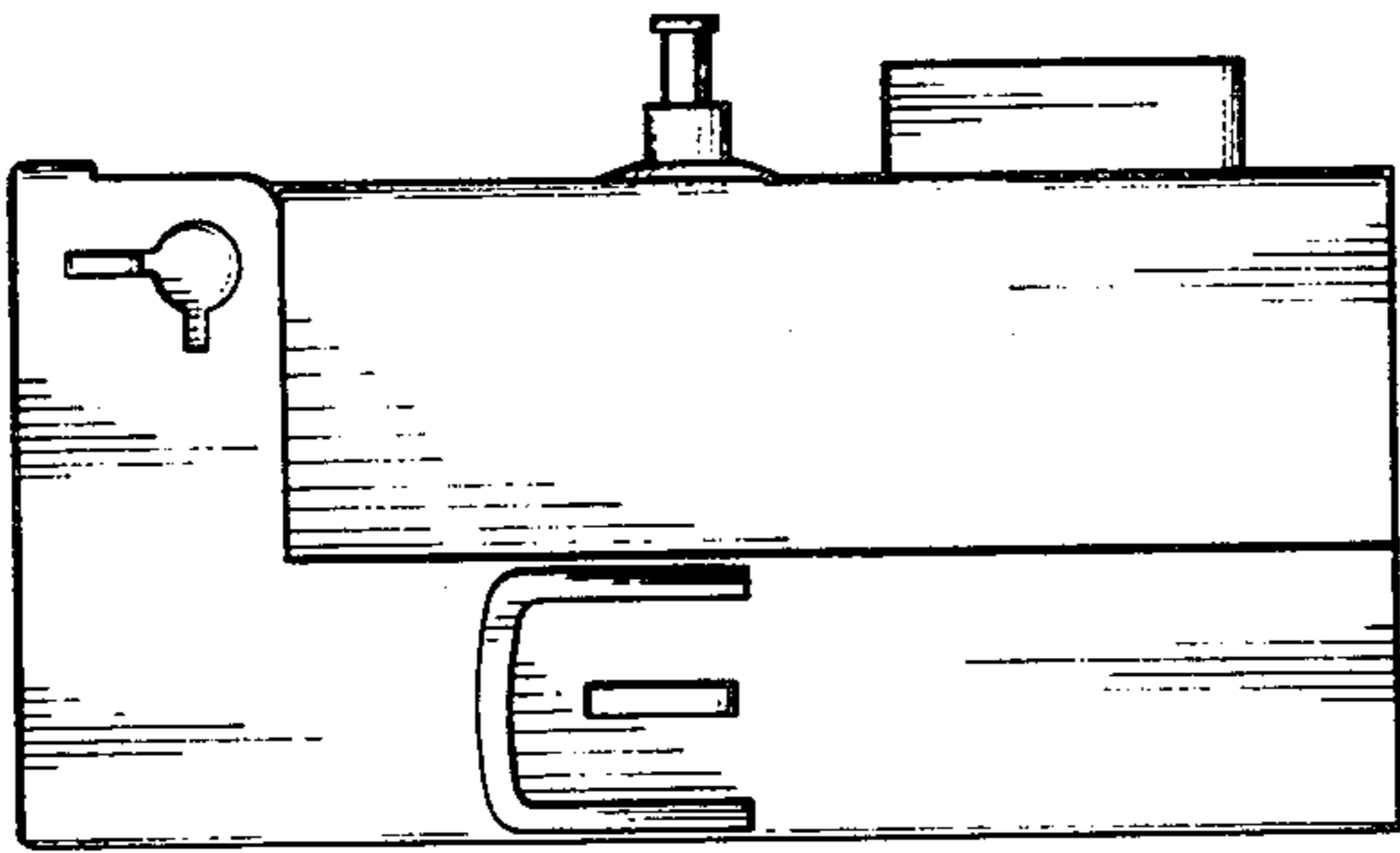


Fig. 2.

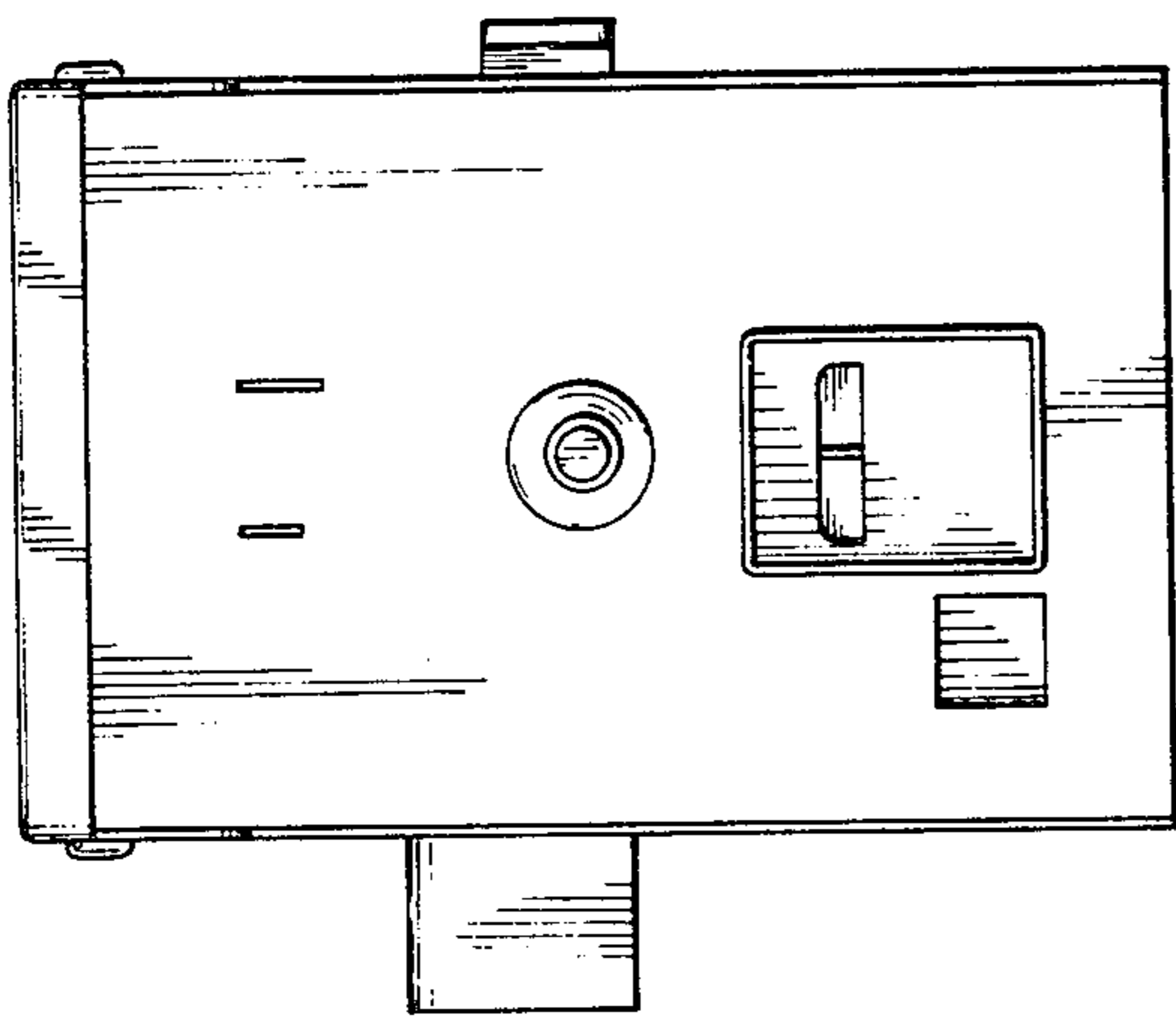


Fig. 1.

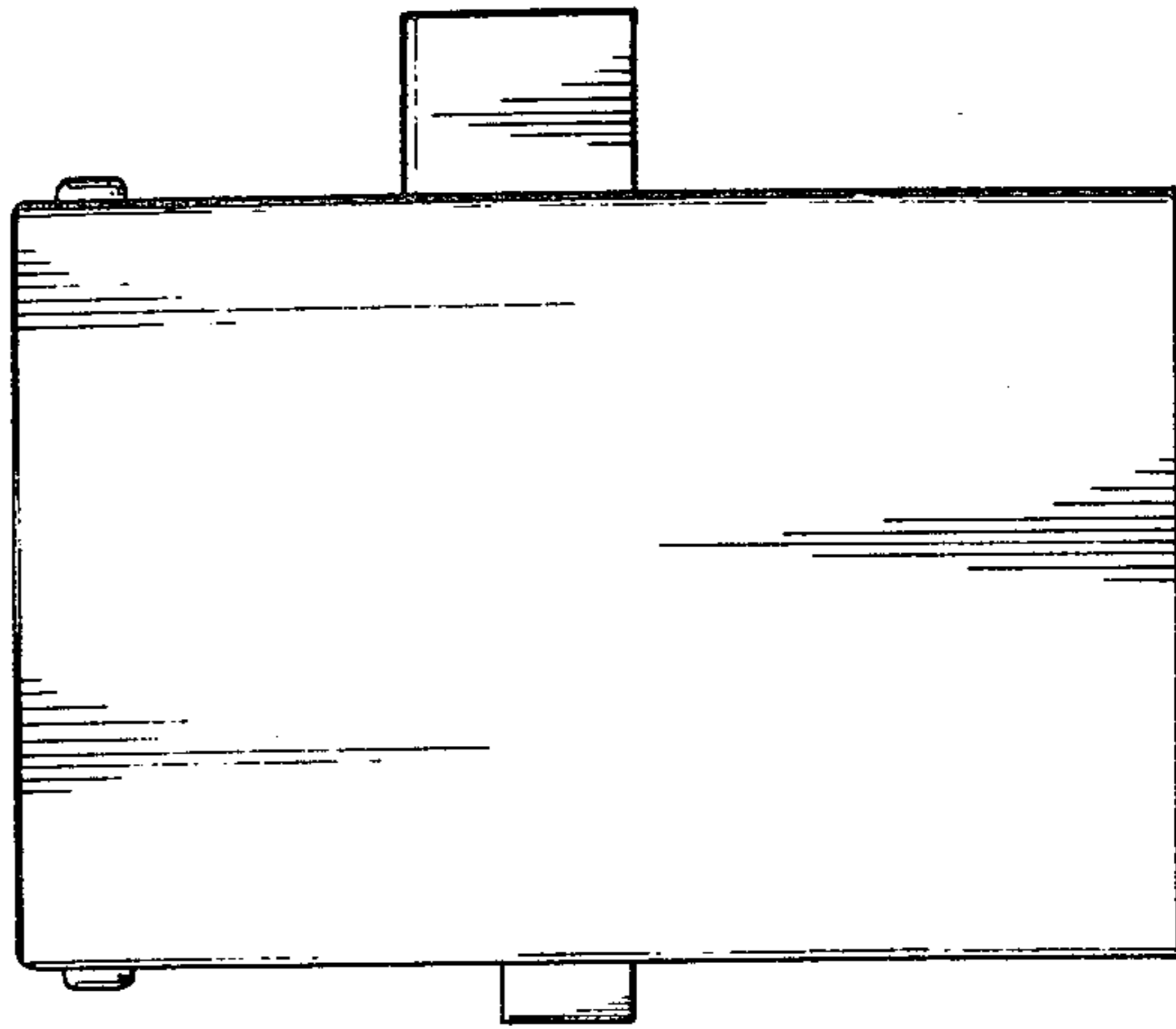


Fig. 6.

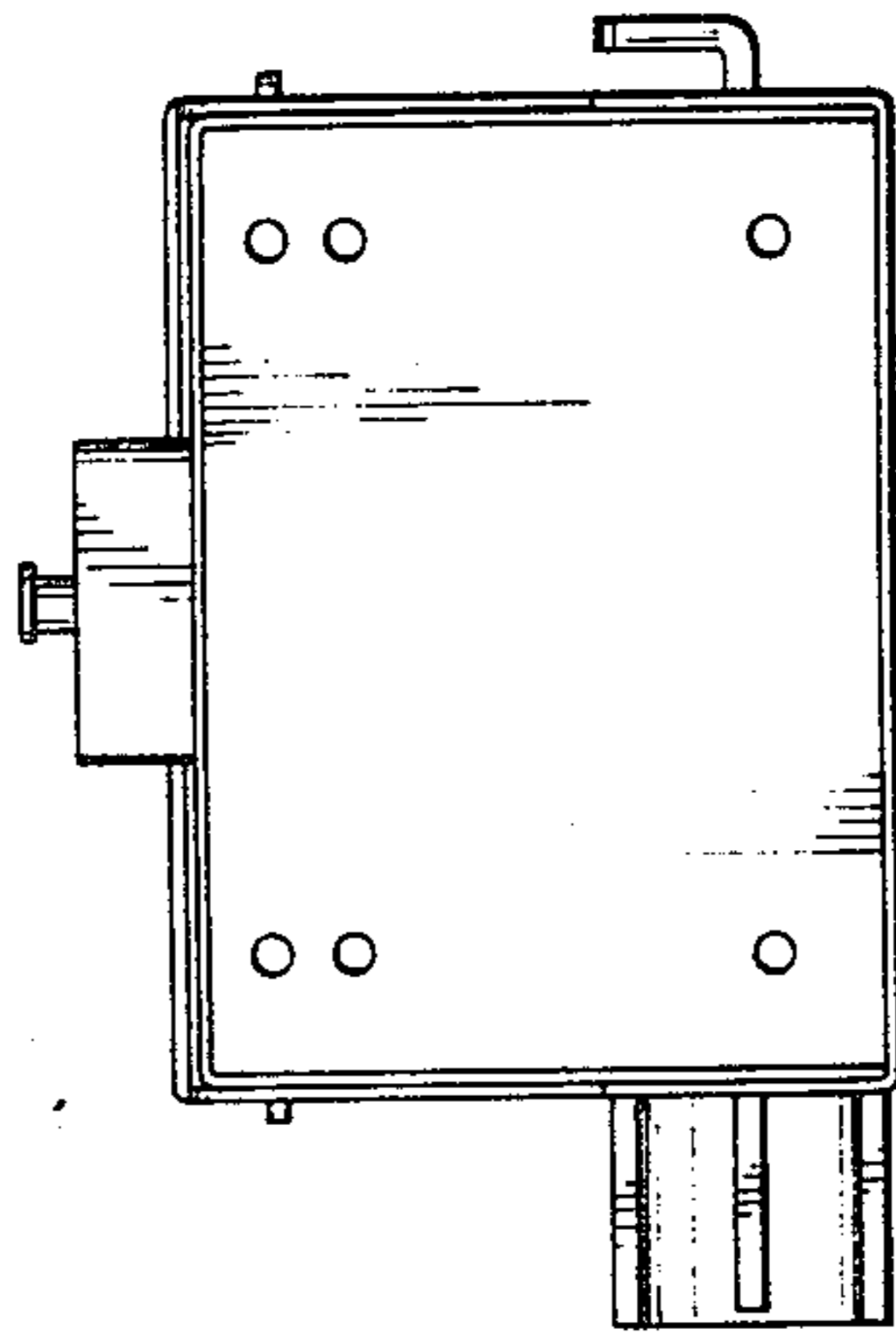


Fig. 5.

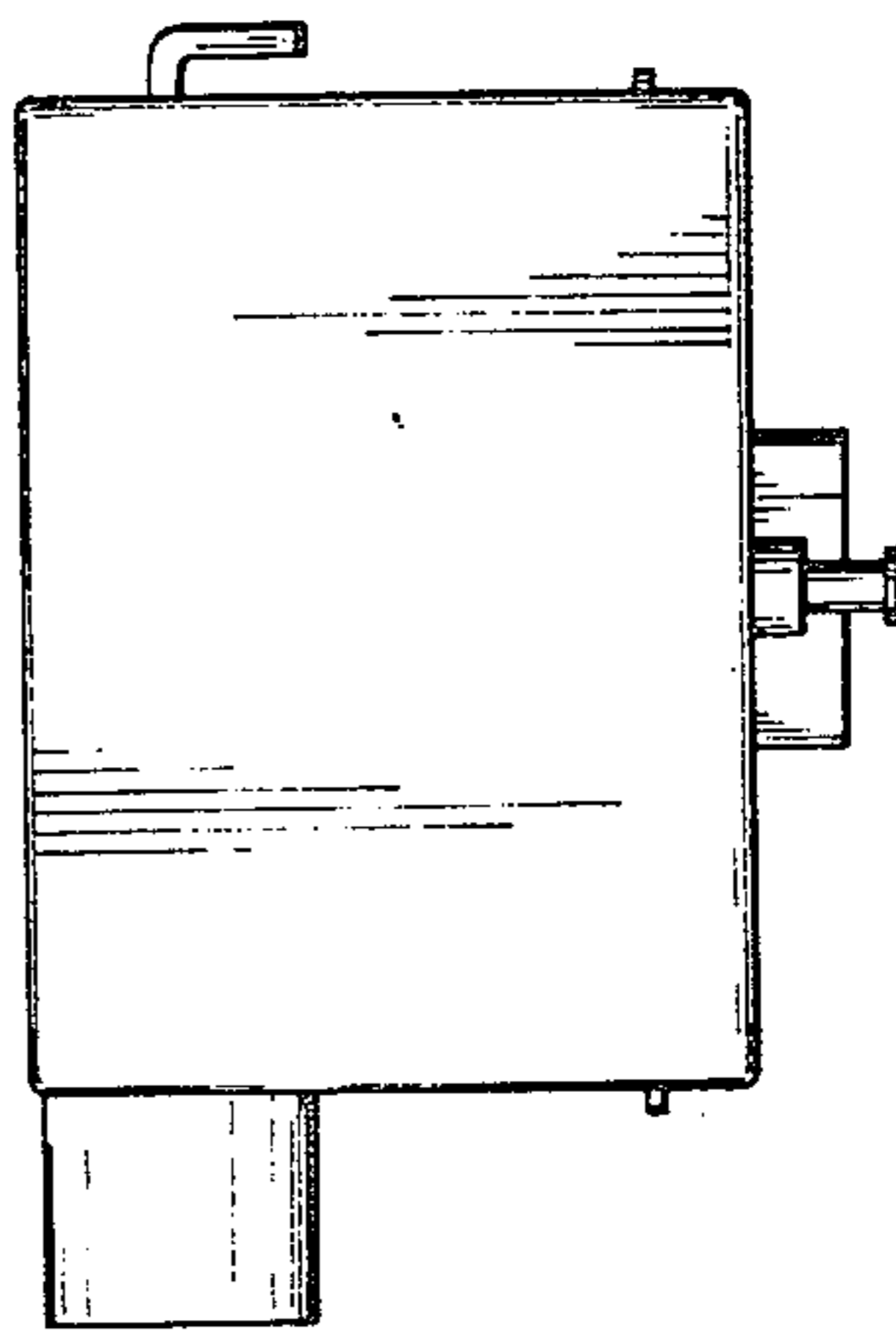


Fig. 4.

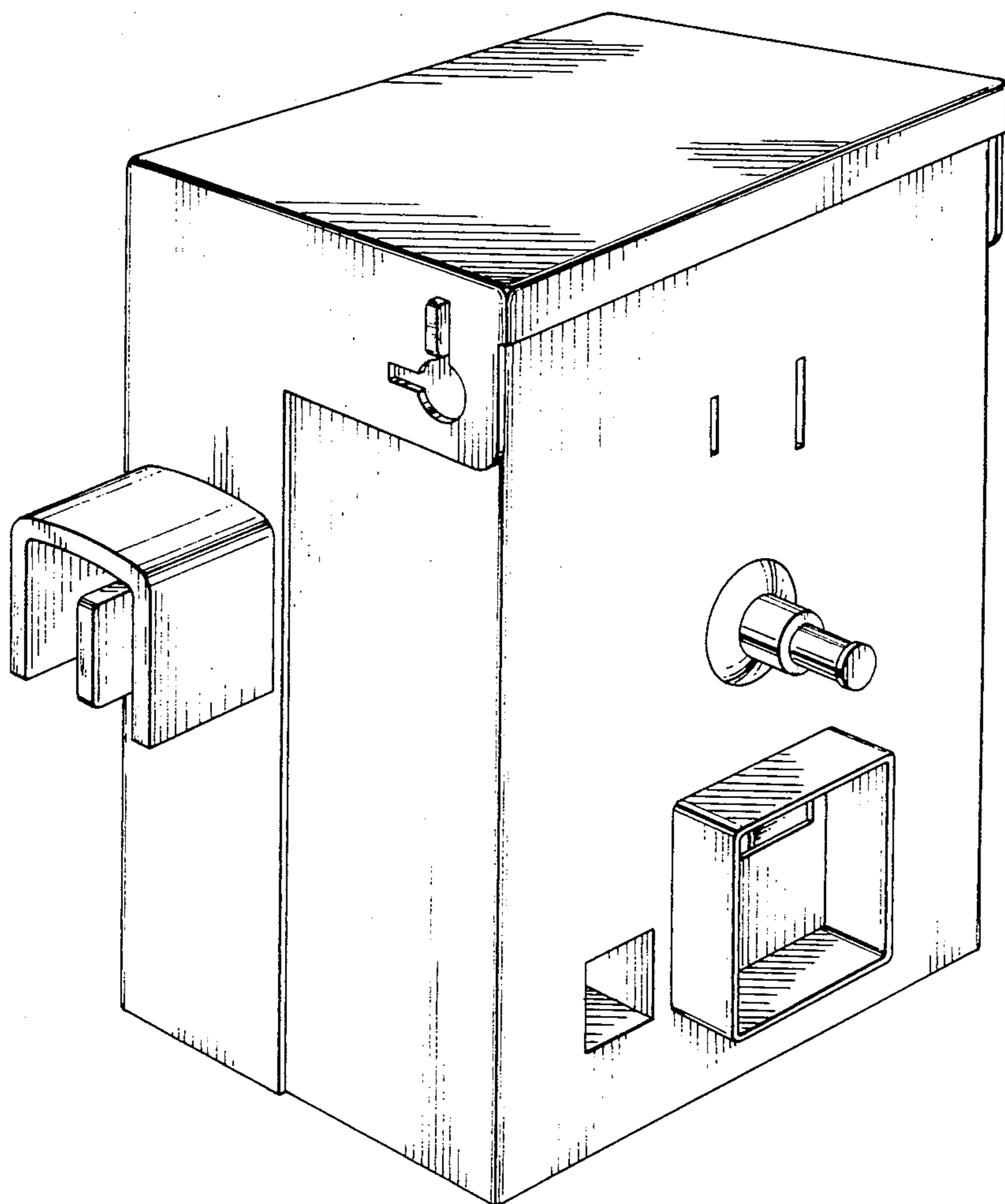


Fig. 7.